



US00D782230S

(12) **United States Design Patent**  
**Wong et al.**

(10) **Patent No.:** **US D782,230 S**  
(45) **Date of Patent:** **\*\* Mar. 28, 2017**

(54) **CONVERTIBLE TABLE**

(71) Applicant: **Helping Hands International Holdings Limited**, Tortola (VG)

(72) Inventors: **Chi Shing Wong**, Hong Kong (CN);  
**Hiroshi Ono**, Novate Milanese (IT)

(73) Assignee: **HELPING HANDS INTERNATIONAL HOLDING LIMITED**, Tortola (VG)

(\*\*) Term: **14 Years**

(21) Appl. No.: **29/494,258**

(22) Filed: **Jun. 18, 2014**

(51) **LOC (10) Cl.** ..... **06-03**

(52) **U.S. Cl.**  
USPC ..... **D6/696.1; D6/686**

(58) **Field of Classification Search**  
USPC ... D6/349, 351, 641, 649, 650, 656, 656.11, D6/656.13, 656.15, 678, 685, 686, 688, D6/688.1, 688.24, 688.26, 688.27, 691, D6/691.1, 691.5, 692, 692.3, 695, 696, D6/696.1, 696.2, 696.3, 705, 708, 708.1, D6/708.11, 708.13, 709, 709.1, 709.11, D6/709.13, 645, 697, 406.3, 406.4, 406.5,  
(Continued)

(56) **References Cited**

**U.S. PATENT DOCUMENTS**

D236,775 S \* 9/1975 Cowley ..... D6/656.11  
D441,224 S \* 5/2001 Scheper ..... D6/692.3  
D540,331 S \* 4/2007 Ly Hau ..... D14/451

(Continued)

**OTHER PUBLICATIONS**

'Jesper Office Tablet Stand'. overstock.com [online]. Aug. 20, 2013 [retrieved Jul. 29, 2016]. Retrieved from the Internet: <URL: <http://www.overstock.com/Office-Supplies/Jesper-Office-Tablet-Stand/7280806/product.html>>.\*

(Continued)

*Primary Examiner* — Mary Ann Calabrese

(74) *Attorney, Agent, or Firm* — Middleton Reutlinger

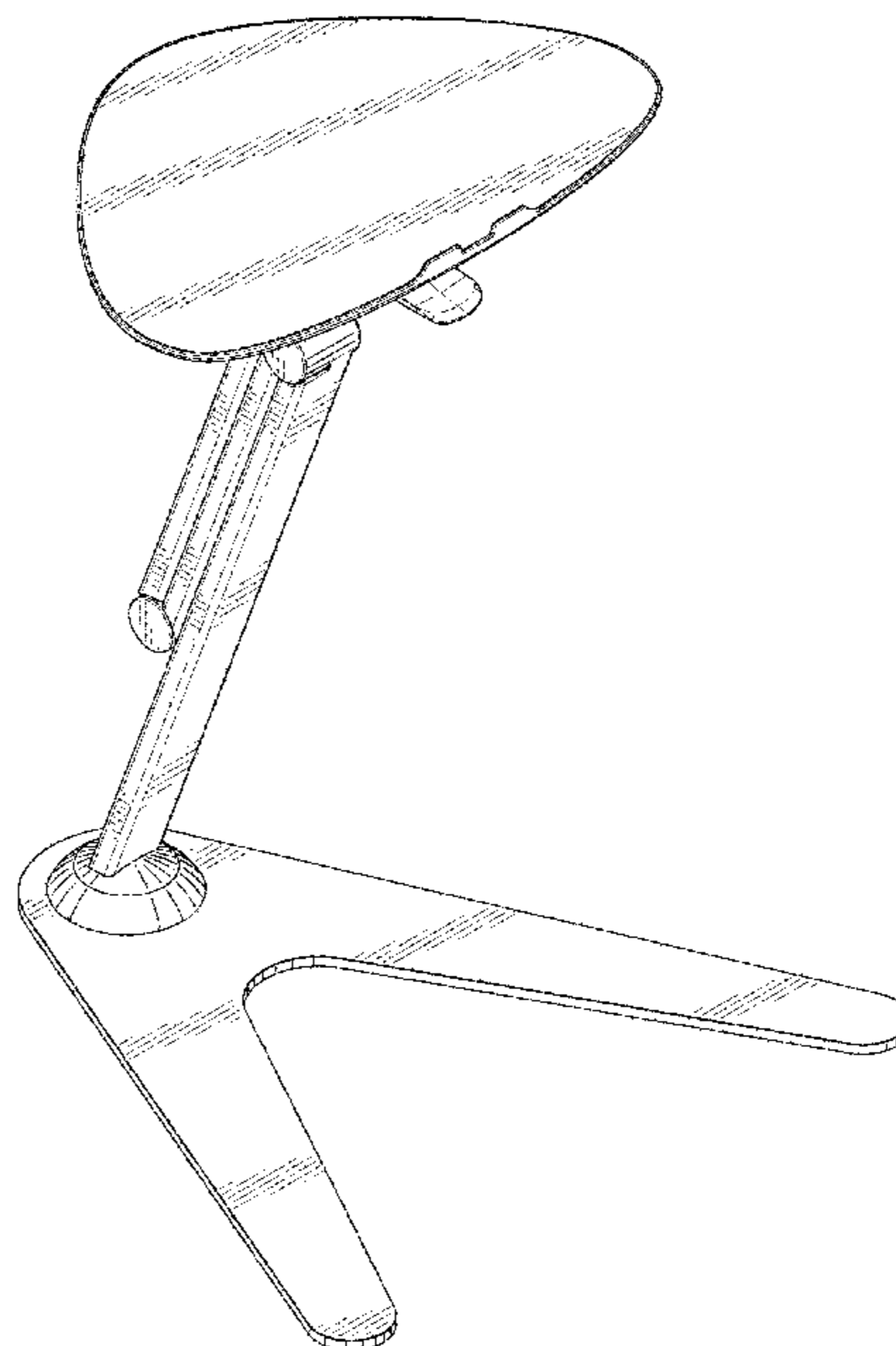
(57) **CLAIM**

The ornamental design for a convertible table, as shown and described.

**DESCRIPTION**

FIG. 1 is a top front isometric view of a first embodiment of a new, original and ornamental design for a convertible table, shown in a collapsed, table configuration. FIG. 2 is a bottom rear isometric view thereof. FIG. 3 is a front elevational view thereof. FIG. 4 is a right side elevational view thereof. FIG. 5 is a rear elevational view thereof. FIG. 6 is a left side elevational view thereof. FIG. 7 is a top plan view thereof. FIG. 8 is a bottom plan view thereof. FIG. 9 is a top front isometric view of the convertible table of FIG. 1, shown in an opened, stand configuration. FIG. 10 is a bottom rear isometric view thereof. FIG. 11 is a front elevational view thereof. FIG. 12 is a right side elevational view thereof. FIG. 13 is a rear elevational view thereof. FIG. 14 is a left side elevational view thereof. FIG. 15 is a top plan view thereof; and, FIG. 16 is a bottom plan view thereof.

**1 Claim, 16 Drawing Sheets**



(58) **Field of Classification Search**

USPC ..... D6/406.6, 693, 698, 700, 701, 707,  
 D6/707.21, 707.22, 708.17, 708.22  
 CPC ..... A47B 1/00; A47B 1/08; A47B 2003/0821;  
 A47B 7/00; A47B 9/00; A47B 9/04;  
 A47B 9/10; A47B 9/12; A47B 9/16;  
 A47B 13/00; A47B 2013/026; A47B  
 13/023; A47B 13/04; A47B 13/06; A47B  
 19/06; A47B 21/02; A47B 21/0314; A47B  
 2021/03

See application file for complete search history.

(56) **References Cited**

U.S. PATENT DOCUMENTS

D652,045 S \* 1/2012 Hong ..... D14/447  
 D687,656 S \* 8/2013 Copeland ..... D6/656.15  
 D691,840 S \* 10/2013 Copeland ..... D6/656.15  
 D694,044 S \* 11/2013 Copeland ..... D6/656.15  
 D720,948 S \* 1/2015 Gonzalez ..... D6/656.13  
 8,960,104 B2 \* 2/2015 Copeland ..... A47B 3/00  
 108/117  
 9,103,150 B1 \* 8/2015 Wong ..... F16M 11/041  
 D754,995 S \* 5/2016 Copeland ..... D6/708.17  
 D758,747 S \* 6/2016 Lenz ..... D6/349  
 D759,994 S \* 6/2016 Lin ..... D6/656.13  
 9,377,156 B2 \* 6/2016 Wong ..... F16M 11/14  
 2013/0284077 A1 \* 10/2013 Copeland ..... A47B 3/00  
 108/117  
 2014/0241789 A1 \* 8/2014 Chiu ..... F16B 7/1454  
 403/109.1  
 2015/0369418 A1 \* 12/2015 Wong ..... F16M 11/041  
 248/372.1

OTHER PUBLICATIONS

‘Laptop Stand—computer desk’. houzz.com [online]. Dec. 1, 2014 [retrieved Jul. 29, 2016]. Retrieved from the Internet: <URL: <http://www.houzz.com/photos/14237940/Laptop-Stand-computer-desk-Adjustable-height-680~850mm-V-shape-stable-metal-contemporary-office-carts-and-stands>>.\*  
 “Levo Deluxe eBook and iPad Holder Floor Stand,” <https://web.archive.org/web/20130506103550/http://www.brookstone.com/levo-deluxe-ebook-and-ipad-holder-floor-stand/> (May 6, 2013).  
 “Ikea Dave Laptop Table,” <http://kk.org/cooltools/archives/4620> (Aug. 3, 2010).  
 “Z3 Tablet Stand,” [https://web.archive.org/web/20130411053435/http://www.ratstands.com/acatalog/Tablet\\_stands.html](https://web.archive.org/web/20130411053435/http://www.ratstands.com/acatalog/Tablet_stands.html) (Apr. 11, 2013).  
 Richbourg, Smythe, “Flote m2 Tablet Floor Stand review,” <http://the-gadgeteer.com/2013/11/25/flote-m2-tablet-floor-stand-review/> (Nov. 25, 2013).  
 “Swing Holder, The amazingly versatile floor stand for the iPad,” <https://web.archive.org/web/20120129172615/http://www.standforstuff.com/index.jsp> (Jan. 29, 2012).  
 “TabletTail: Monkey Kit,” <https://web.archive.org/web/20130403040549/https://www.octa.com/products/monkey-kit.html> (Apr. 3, 2013).  
 “The iPad Charging Floor Stand,” <https://web.archive.org/web/20131120123058/http://www.hammacher.com/Product/Default.aspx?sku=83721> (Nov. 20, 2013).

\* cited by examiner

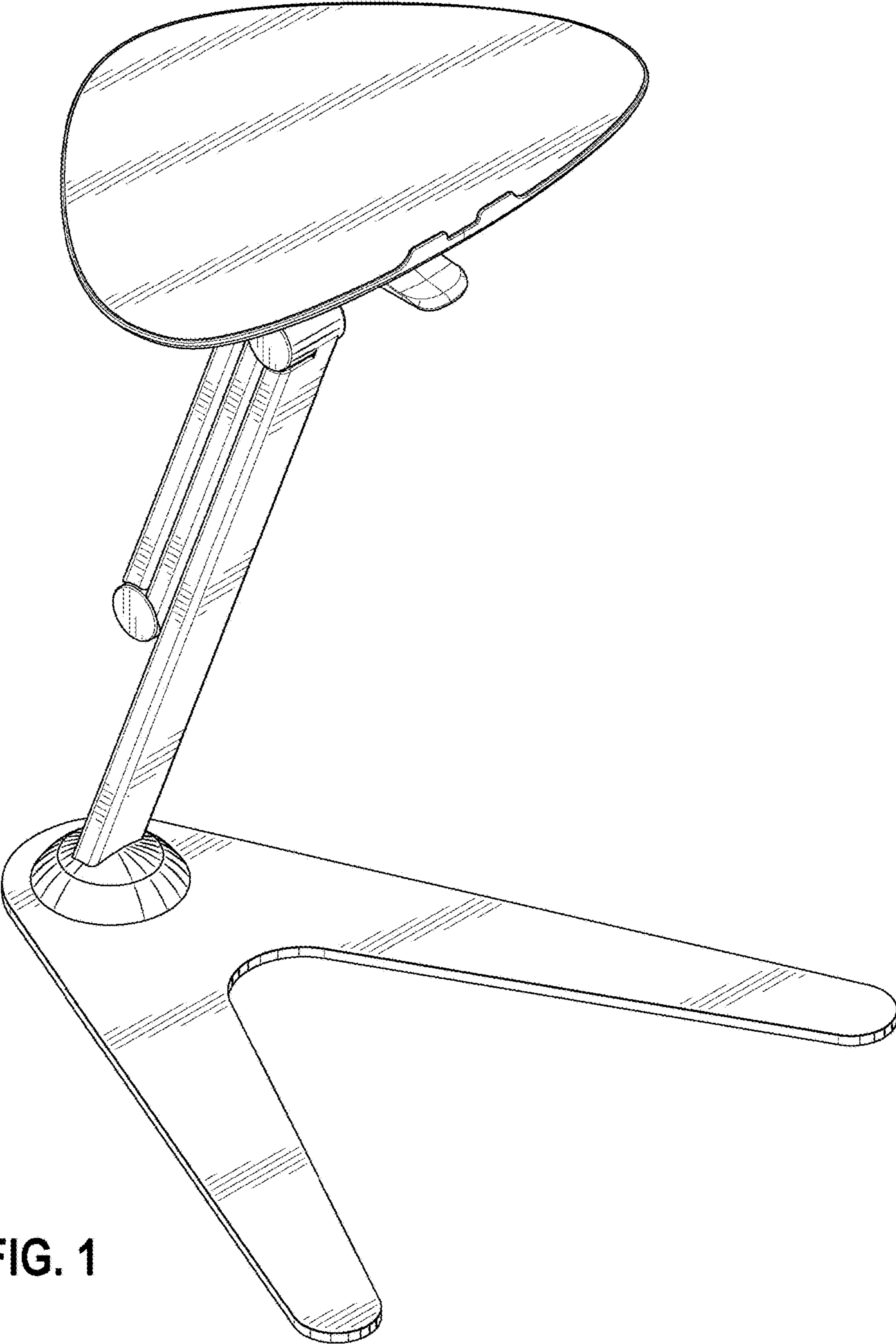


FIG. 1

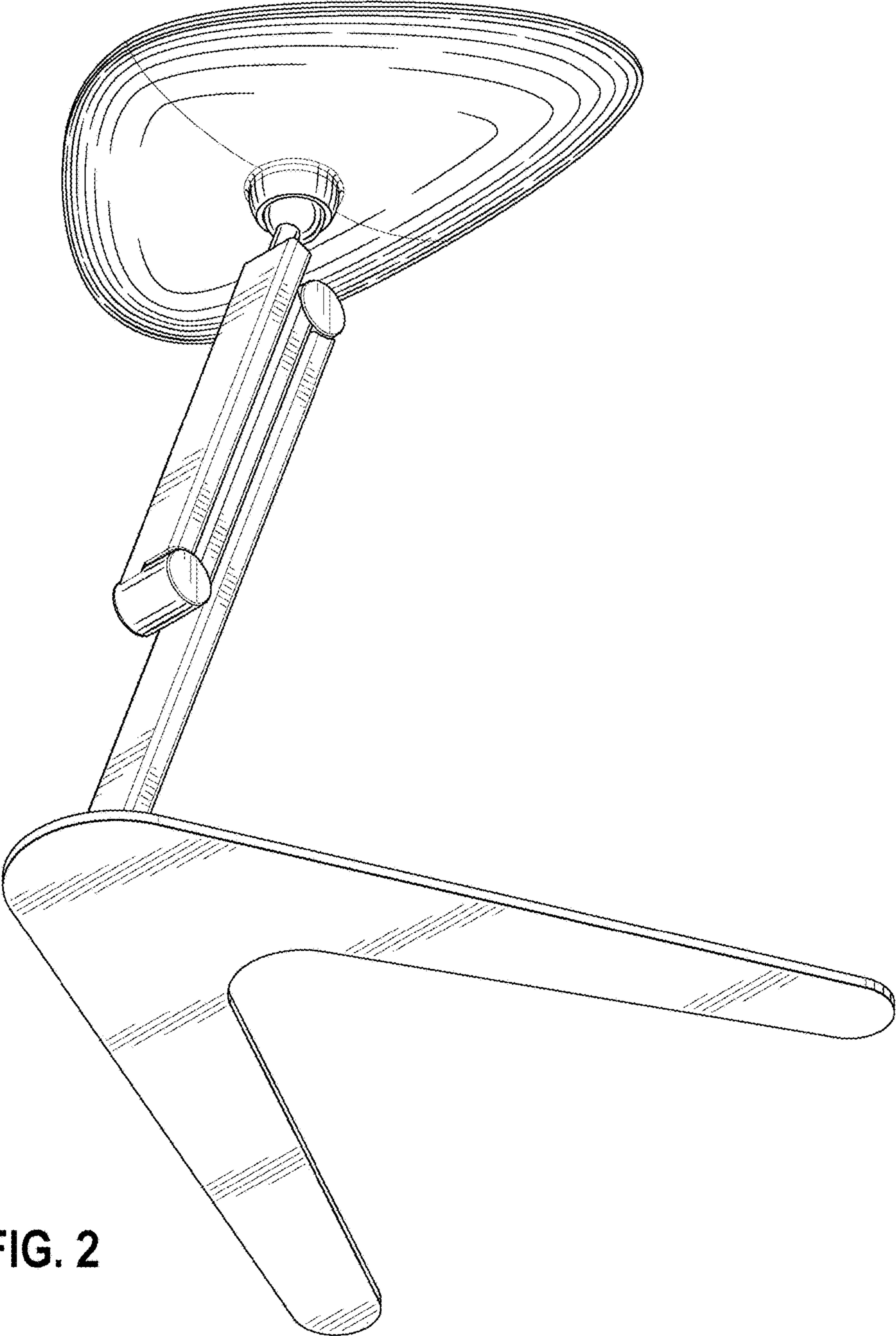


FIG. 2

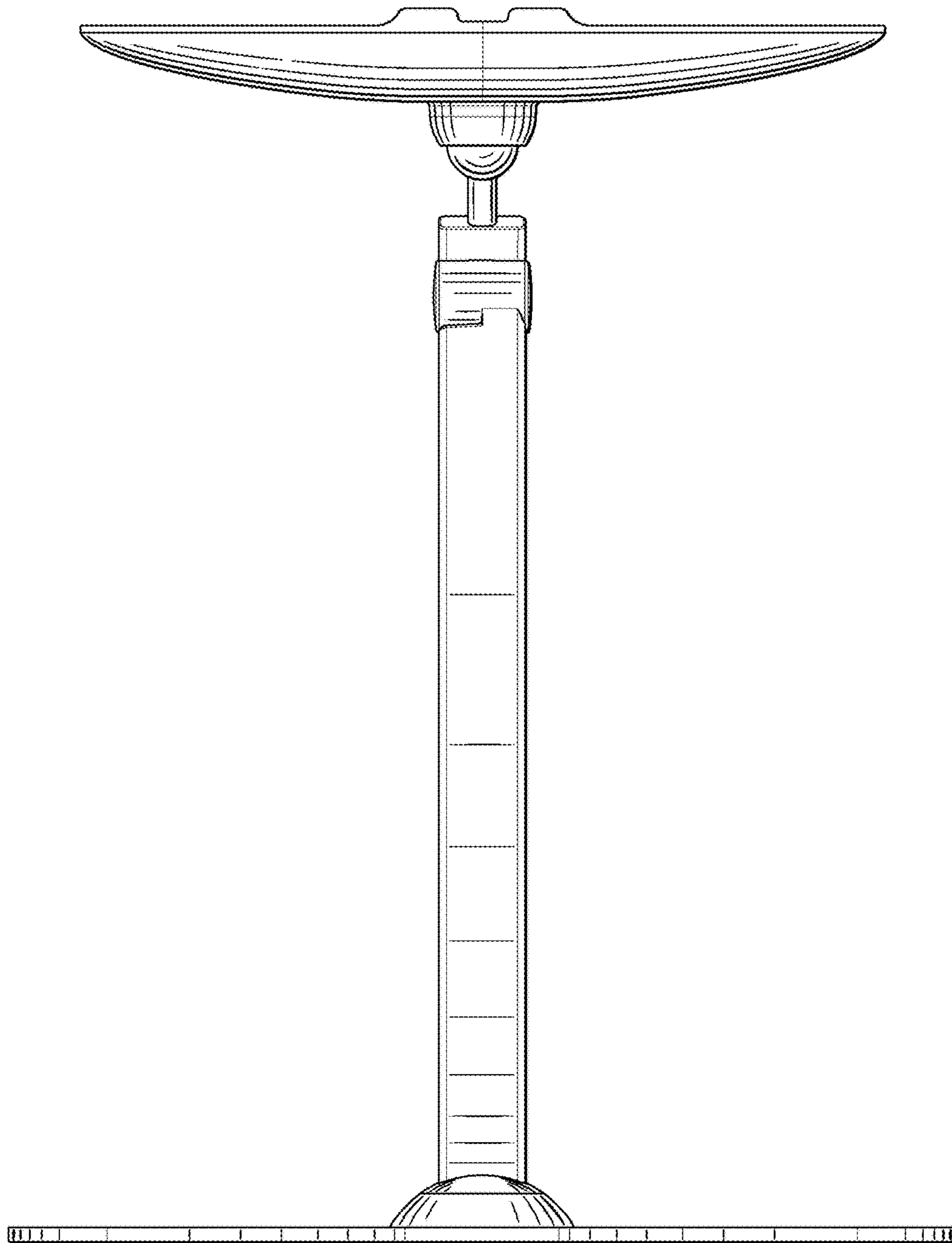


FIG. 3

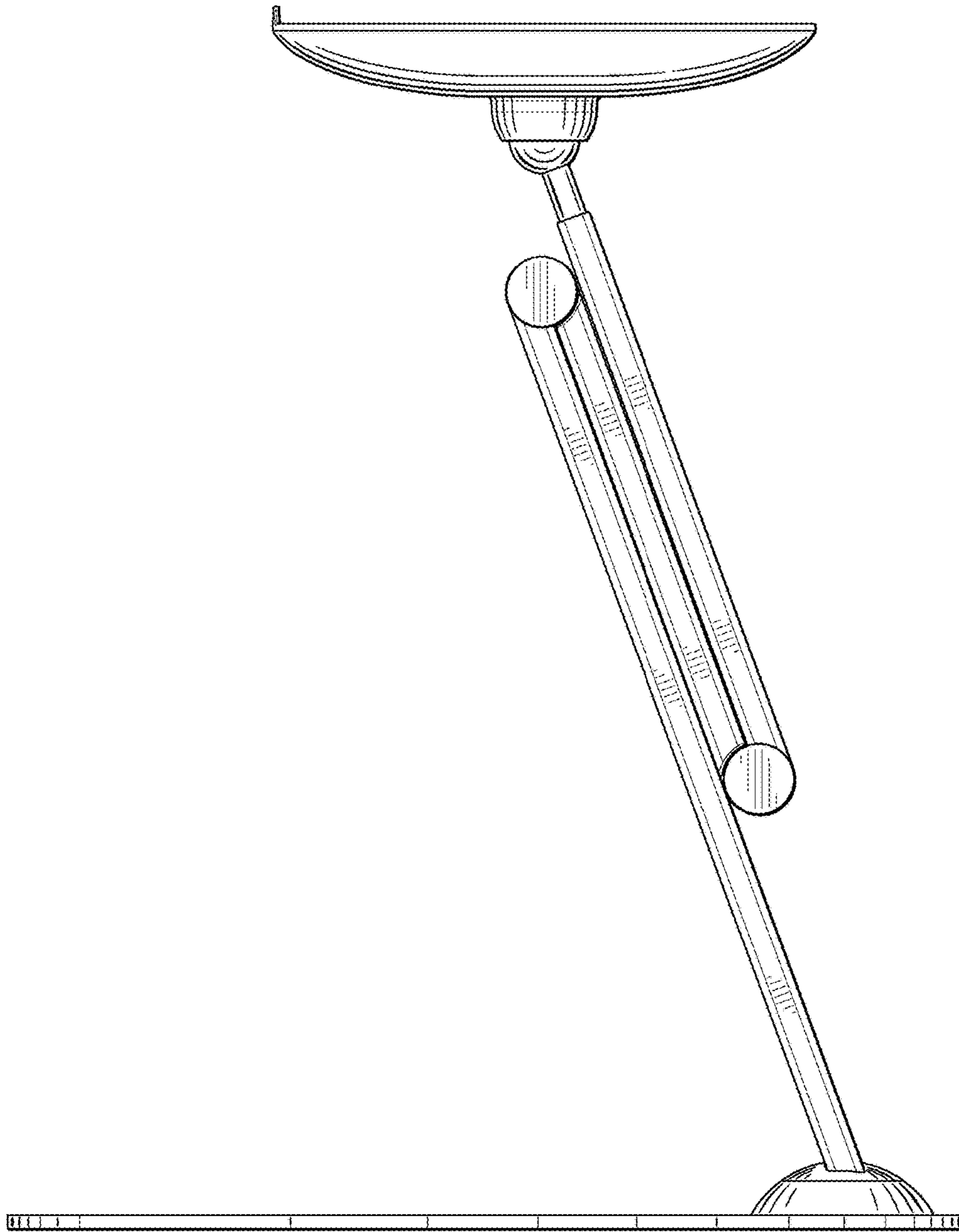


FIG. 4

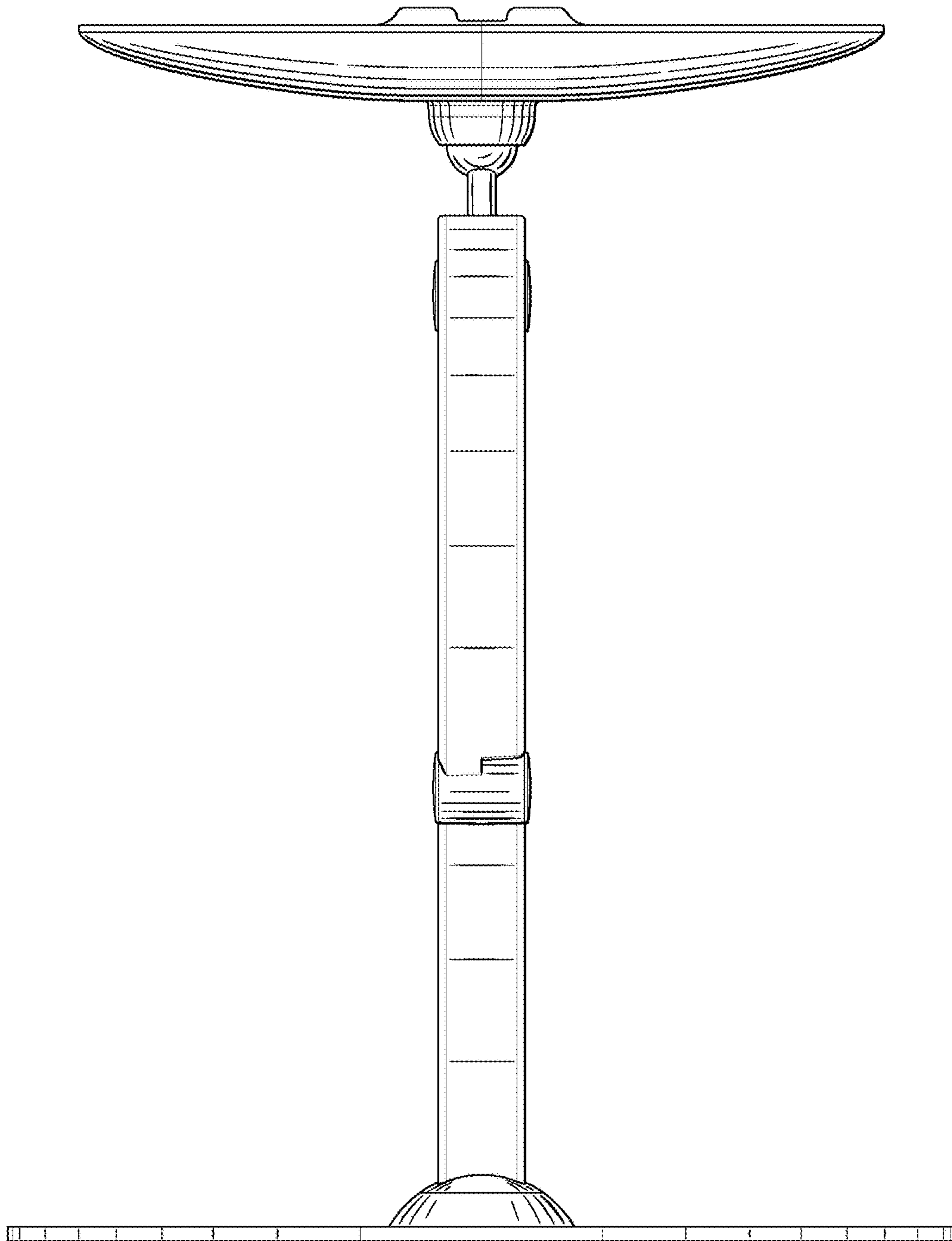


FIG. 5

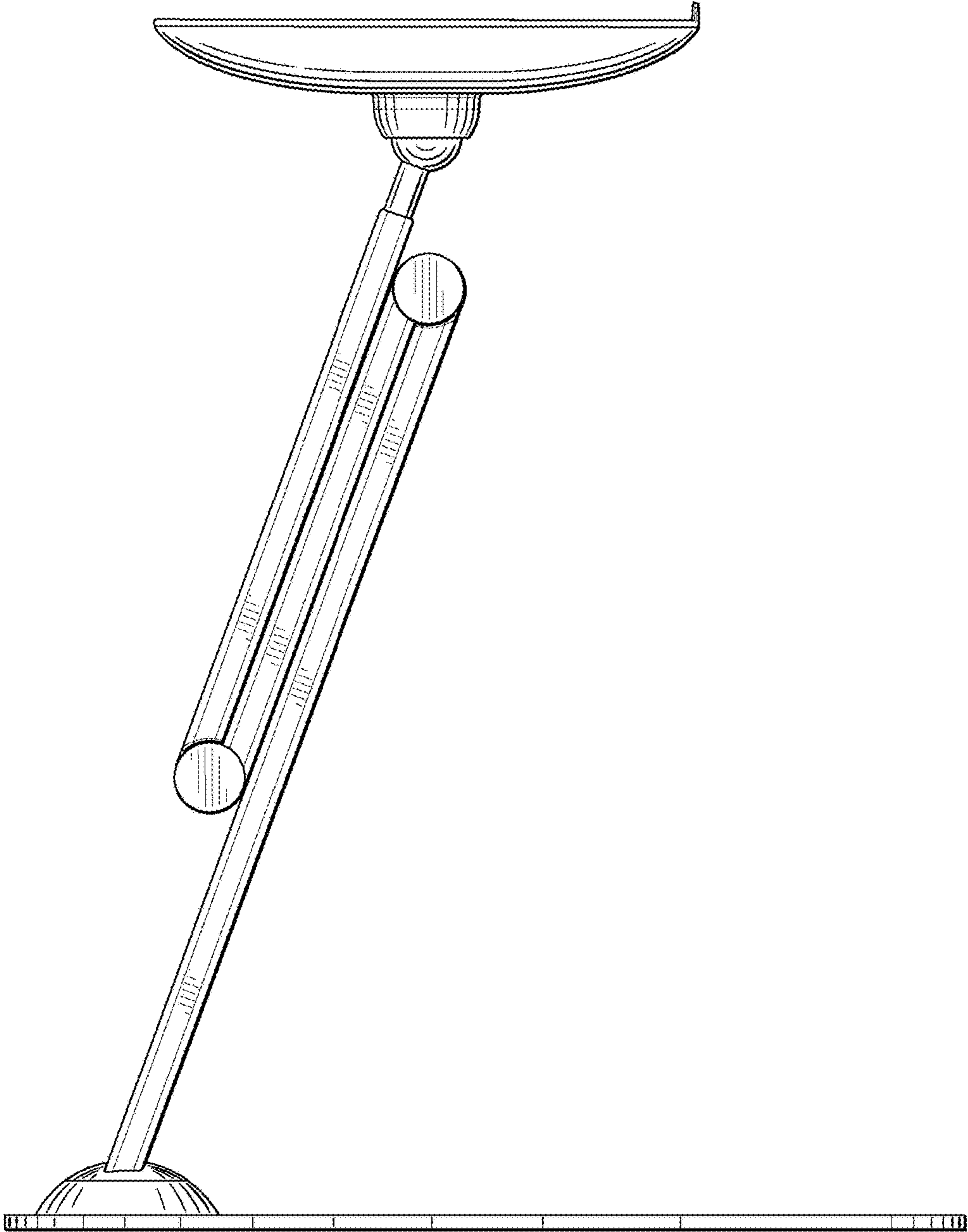


FIG. 6



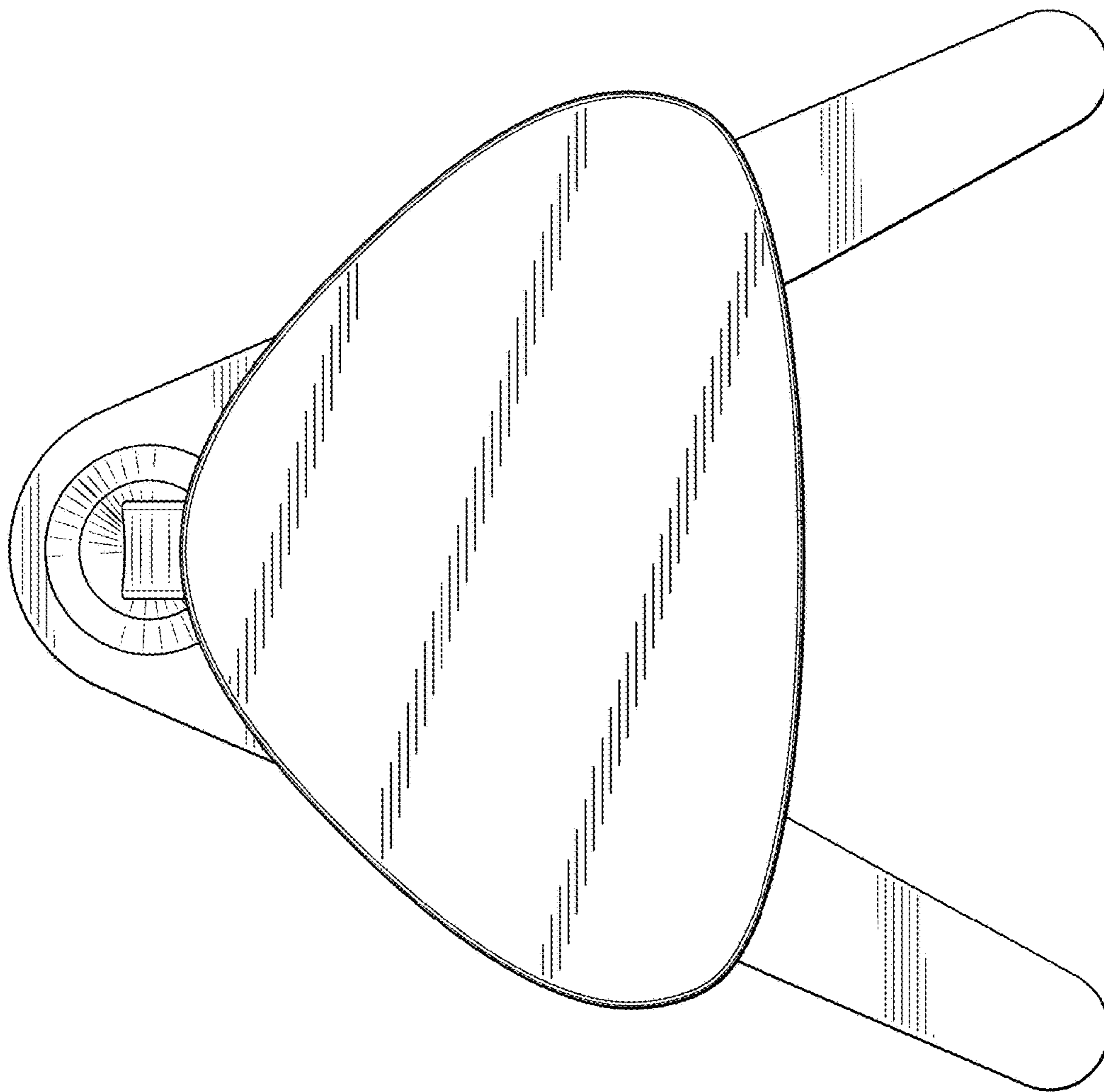


FIG. 7

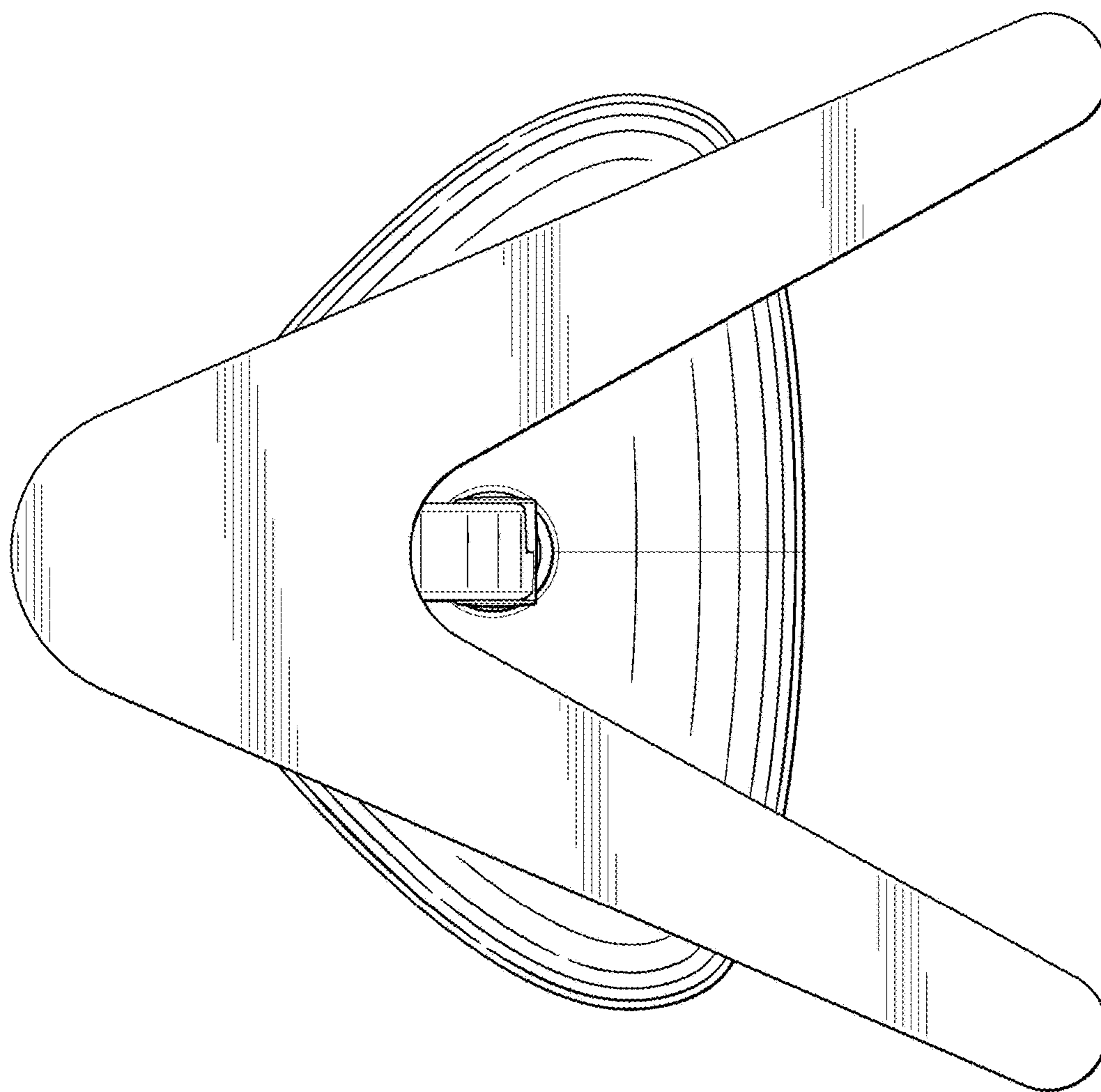


FIG. 8

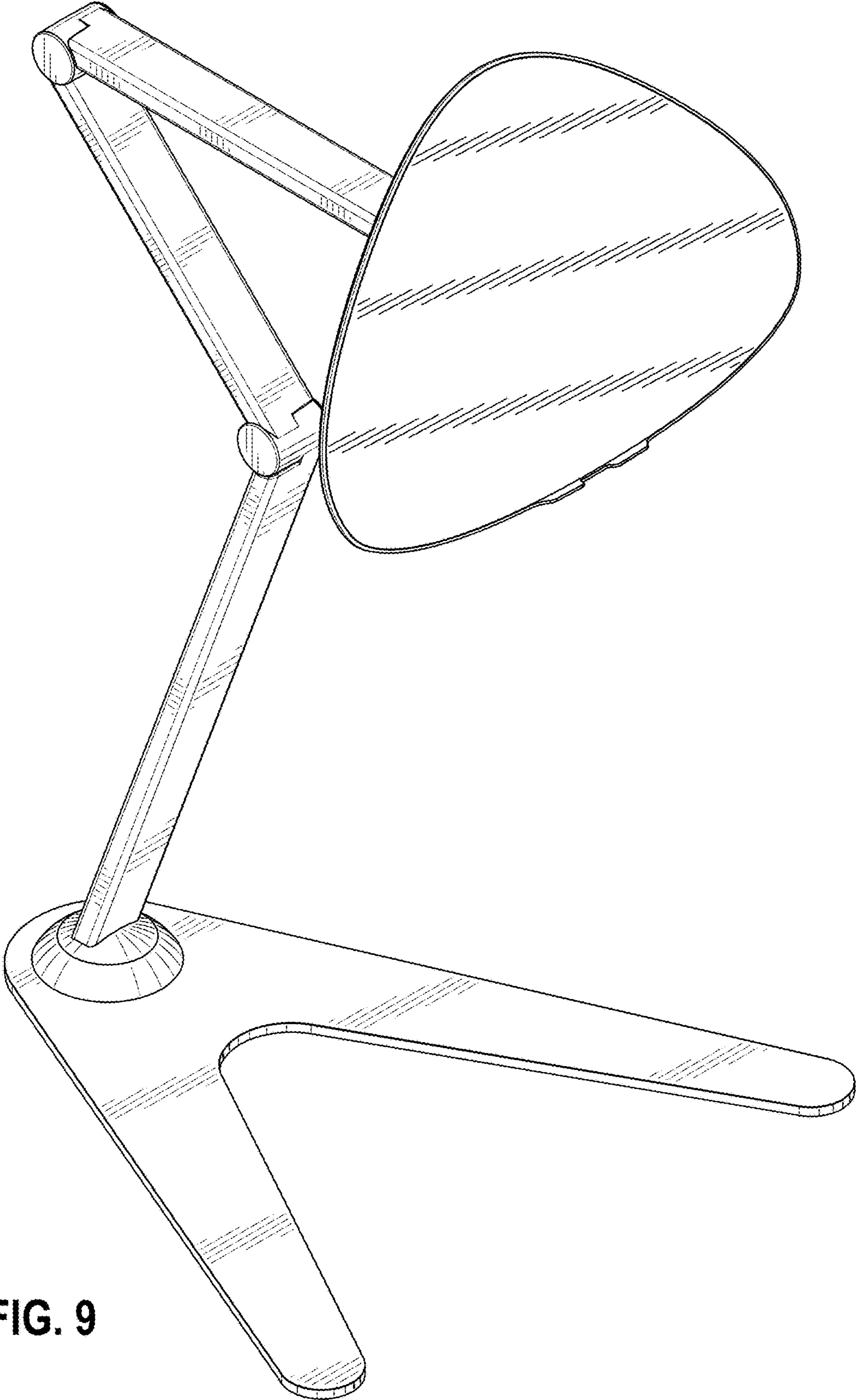


FIG. 9

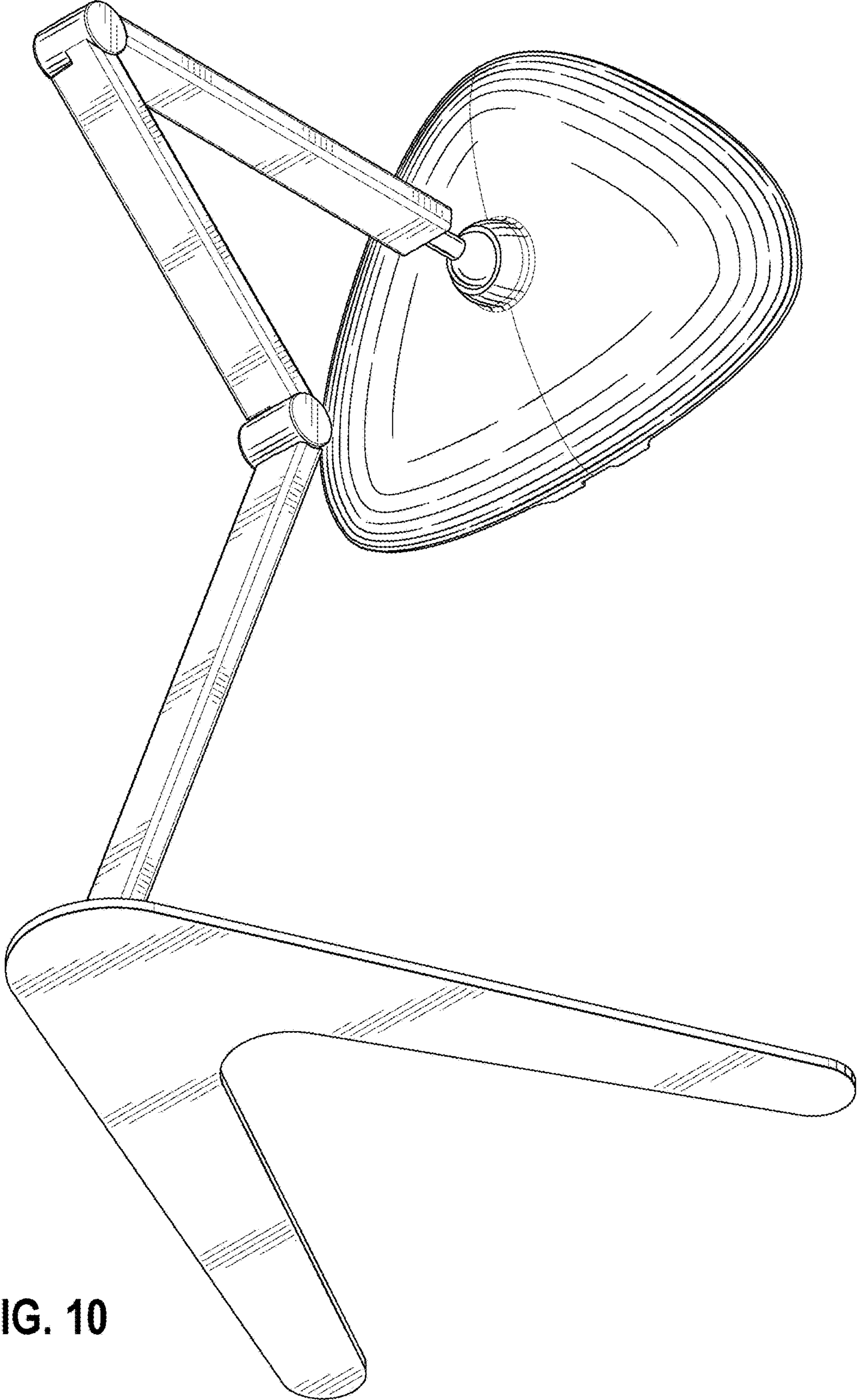


FIG. 10

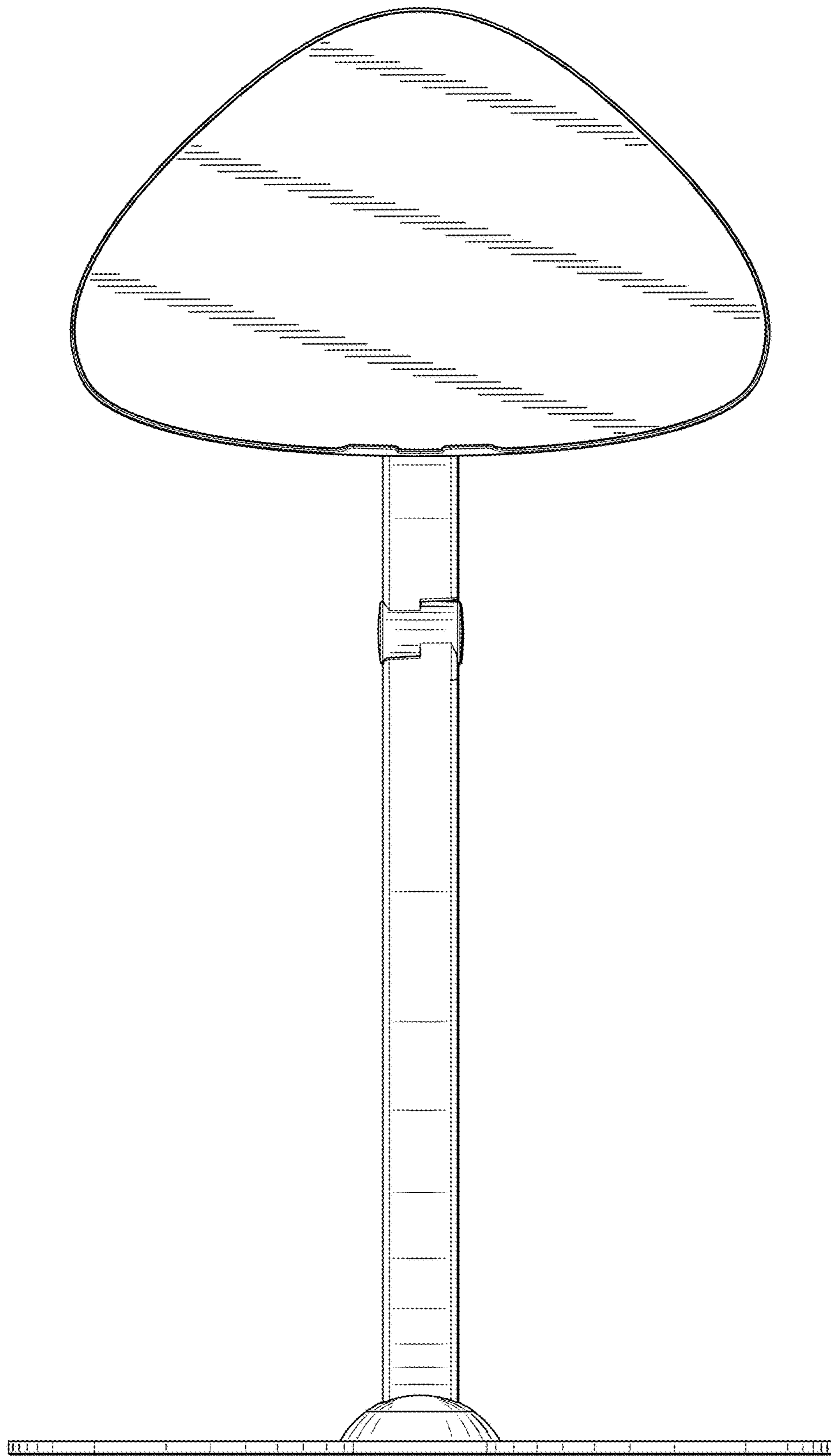


FIG. 11

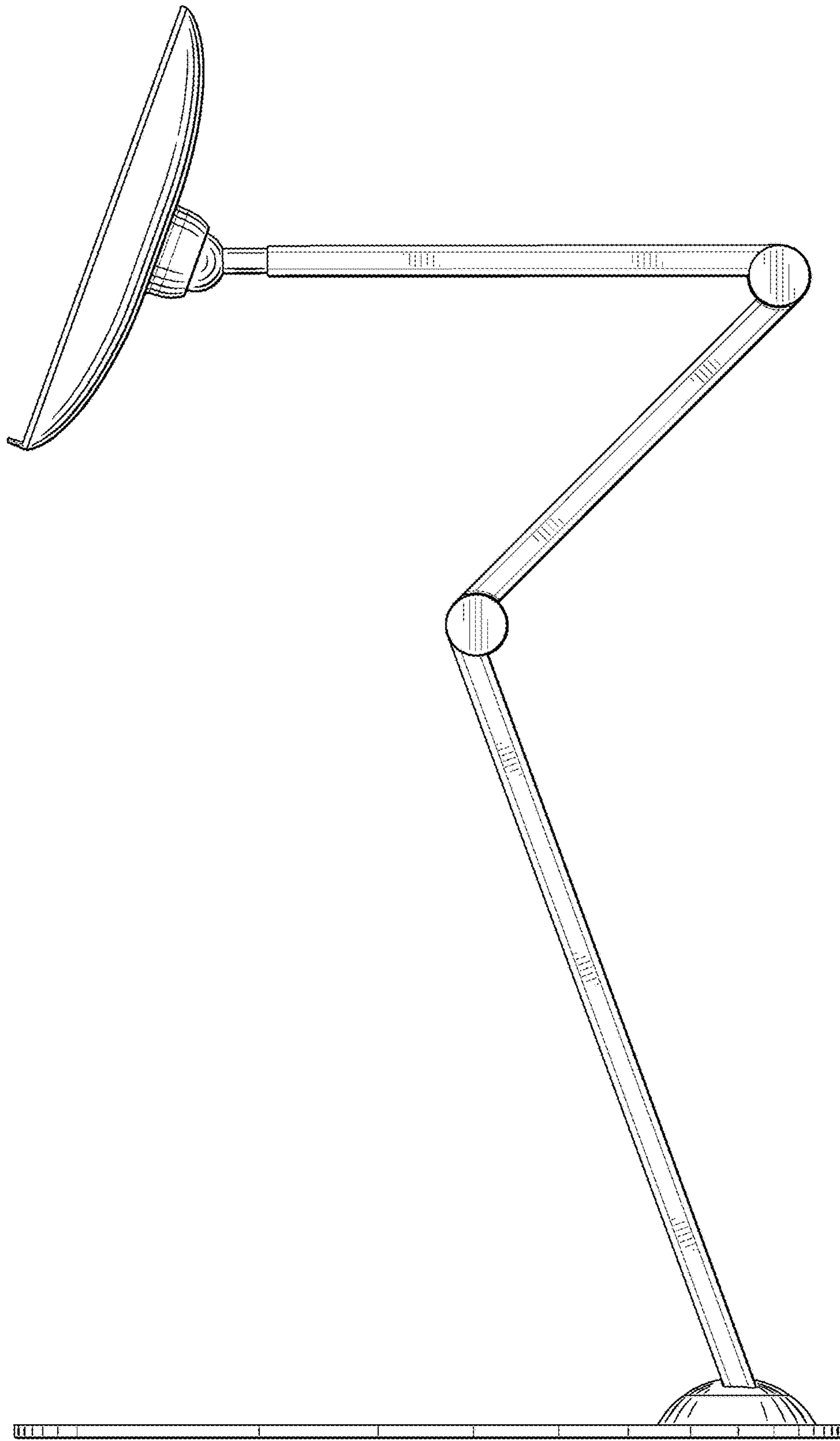


FIG. 12

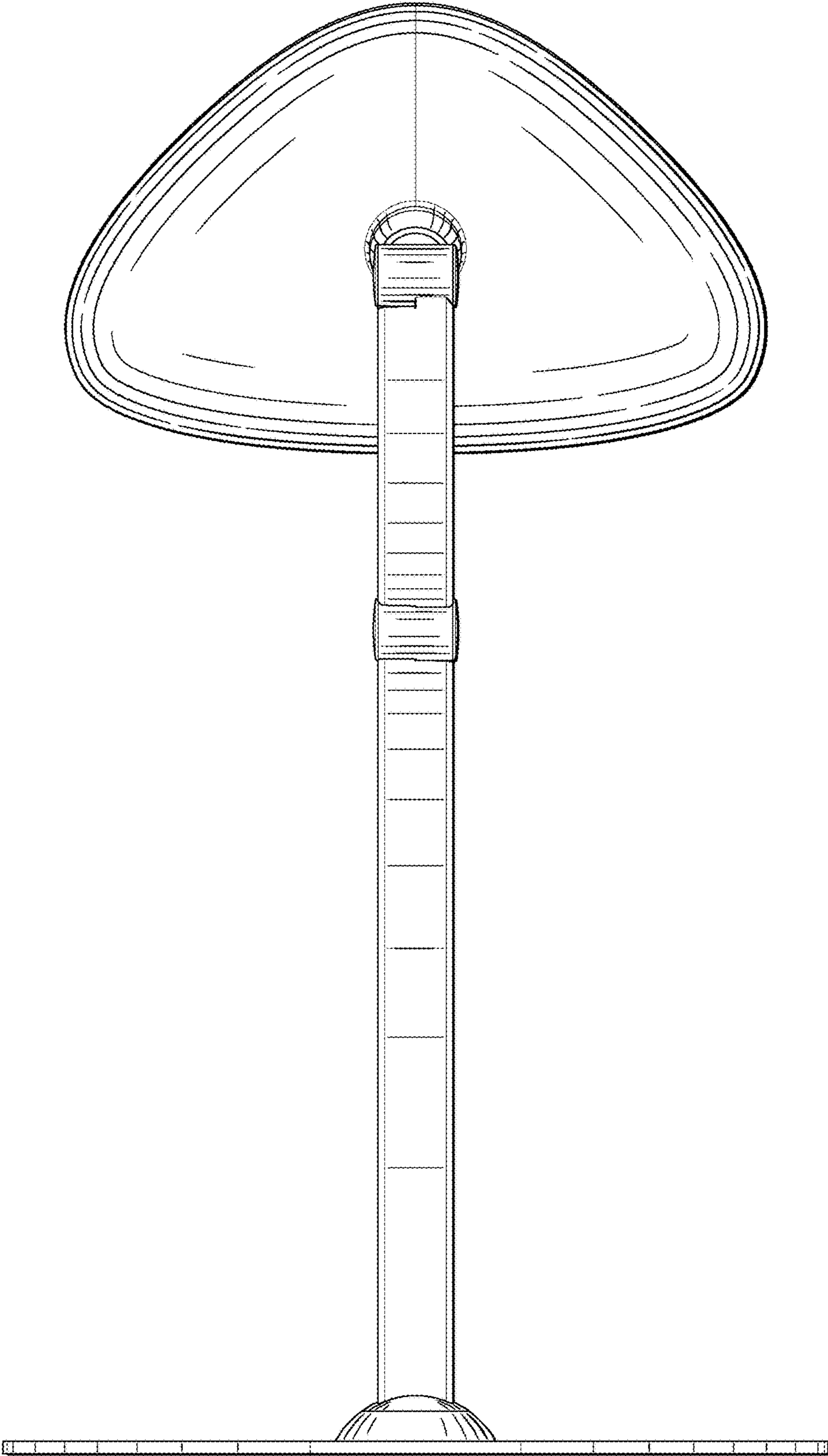


FIG. 13

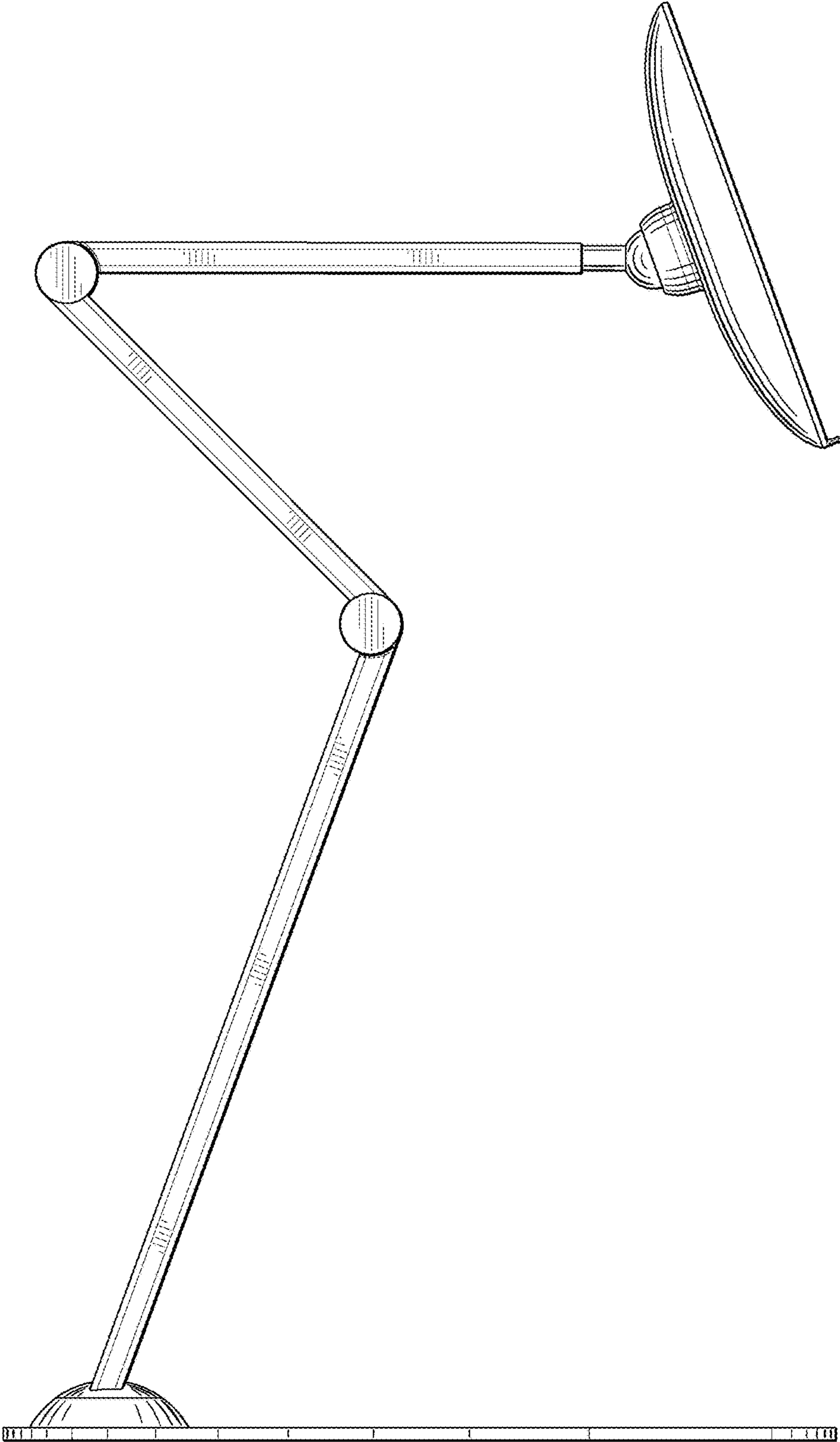


FIG. 14



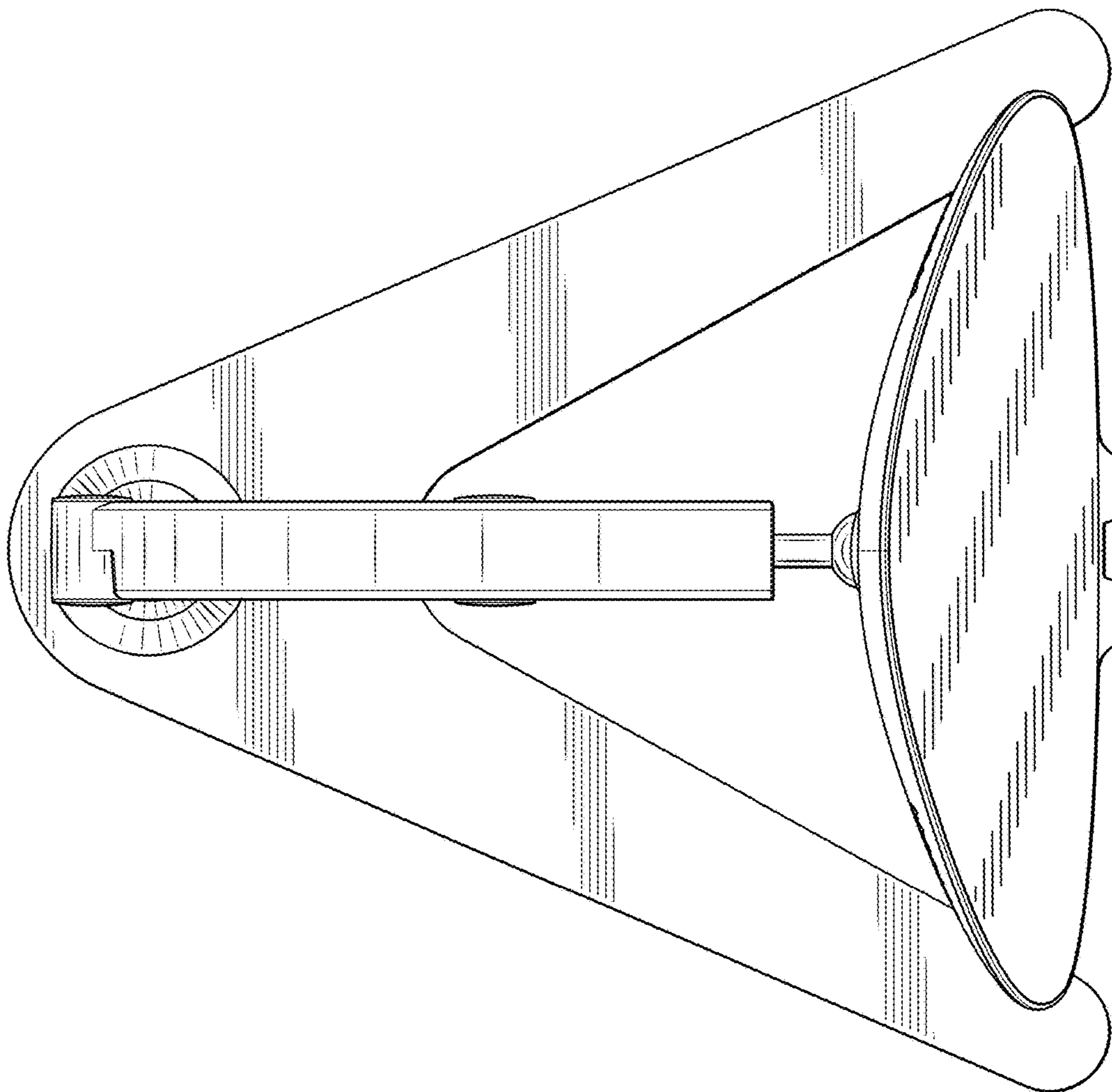


FIG. 15

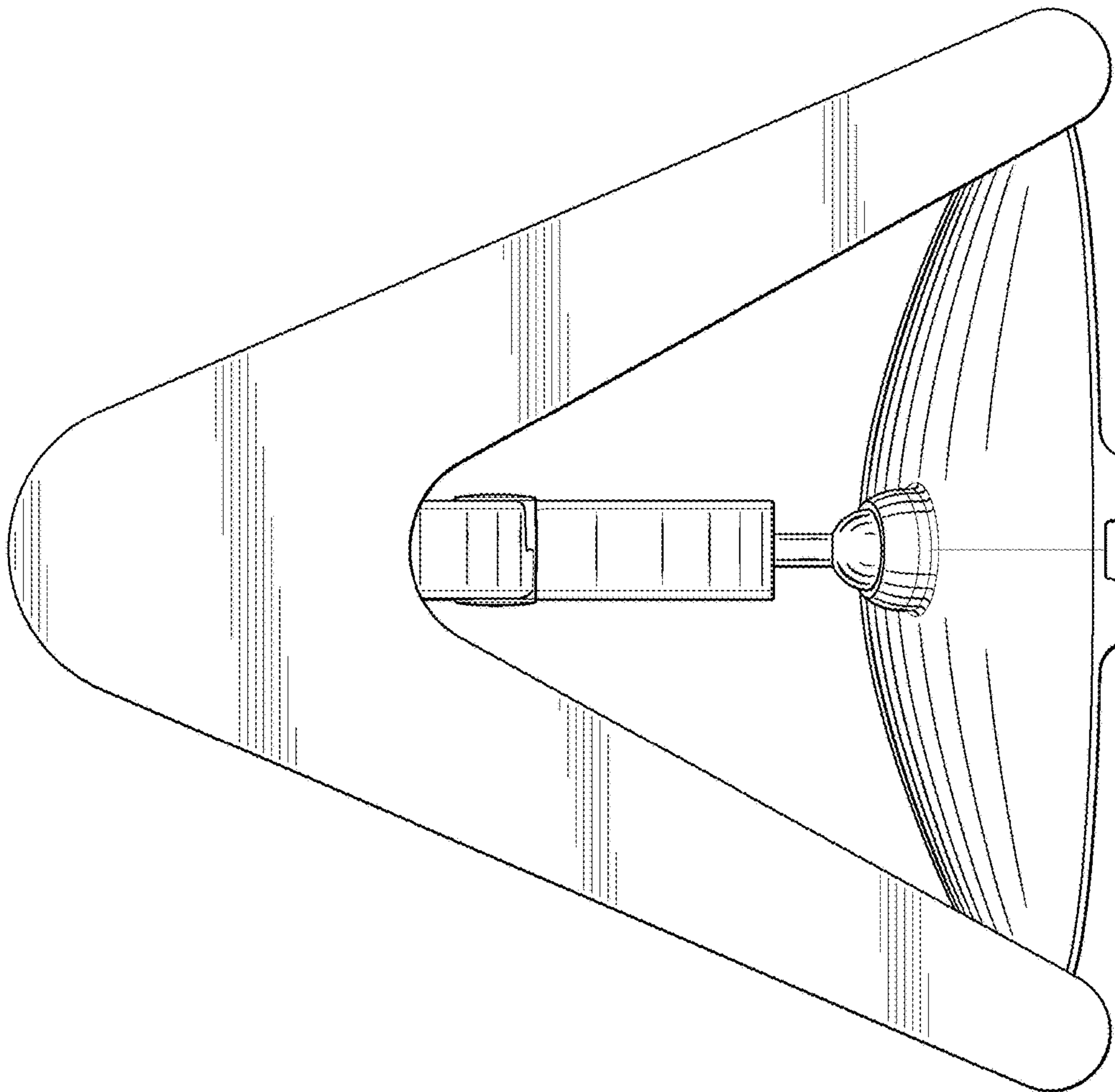


FIG. 16