



US00D782229S

(12) **United States Design Patent**
Merritt

(10) **Patent No.:** **US D782,229 S**

(45) **Date of Patent:** **** Mar. 28, 2017**

(54) **END TABLE**

(71) Applicant: **Liberty Procurement Co. Inc.**, Union,
NJ (US)

(72) Inventor: **John Merritt**, Brooklyn, NY (US)

(73) Assignee: **Liberty Procurement Co. Inc.**, Union,
NJ (US)

(**) Term: **15 Years**

(21) Appl. No.: **29/574,937**

(22) Filed: **Aug. 19, 2016**

Related U.S. Application Data

(62) Division of application No. 29/527,754, filed on May
21, 2015.

(51) **LOC (10) Cl.** **06-04**

(52) **U.S. Cl.**
USPC **D6/691**

(58) **Field of Classification Search**
USPC D6/691.1, 691, 691.3, 691.5, 691.8,
D6/691.9, 707.18, 349; 248/164;
108/119
CPC . F16B 7/105; A47B 7/00; A47B 13/00; A47B
13/02; A47B 13/06; A47B 13/04; A47B
13/08; A47B 13/088; A47B 2200/11;
A47B 2200/001; A47B 91/00; A47B
91/005

See application file for complete search history.

(56) **References Cited**

U.S. PATENT DOCUMENTS

D310,145 S 8/1990 Williams
D314,878 S * 2/1991 Hart D6/691.3
D315,650 S * 3/1991 Fisher D6/691.8

5,775,655 A * 7/1998 Schmeets A47B 5/00
108/115
D410,796 S * 6/1999 Sabo D6/349
D444,651 S 7/2001 Jeup
D447,640 S * 9/2001 Ranspach D6/338
D477,641 S * 7/2003 Rothkopf D21/404
D493,293 S * 7/2004 Vira D6/349
D640,486 S 6/2011 Saelid
8,051,785 B2 * 11/2011 Lin A47B 7/02
108/115

(Continued)

Primary Examiner — Robin V Webster

Assistant Examiner — James Thorn, Sr.

(74) *Attorney, Agent, or Firm* — Lerner, David,
Littenberg, Krumholz & Mentlik, LLP

(57) **CLAIM**

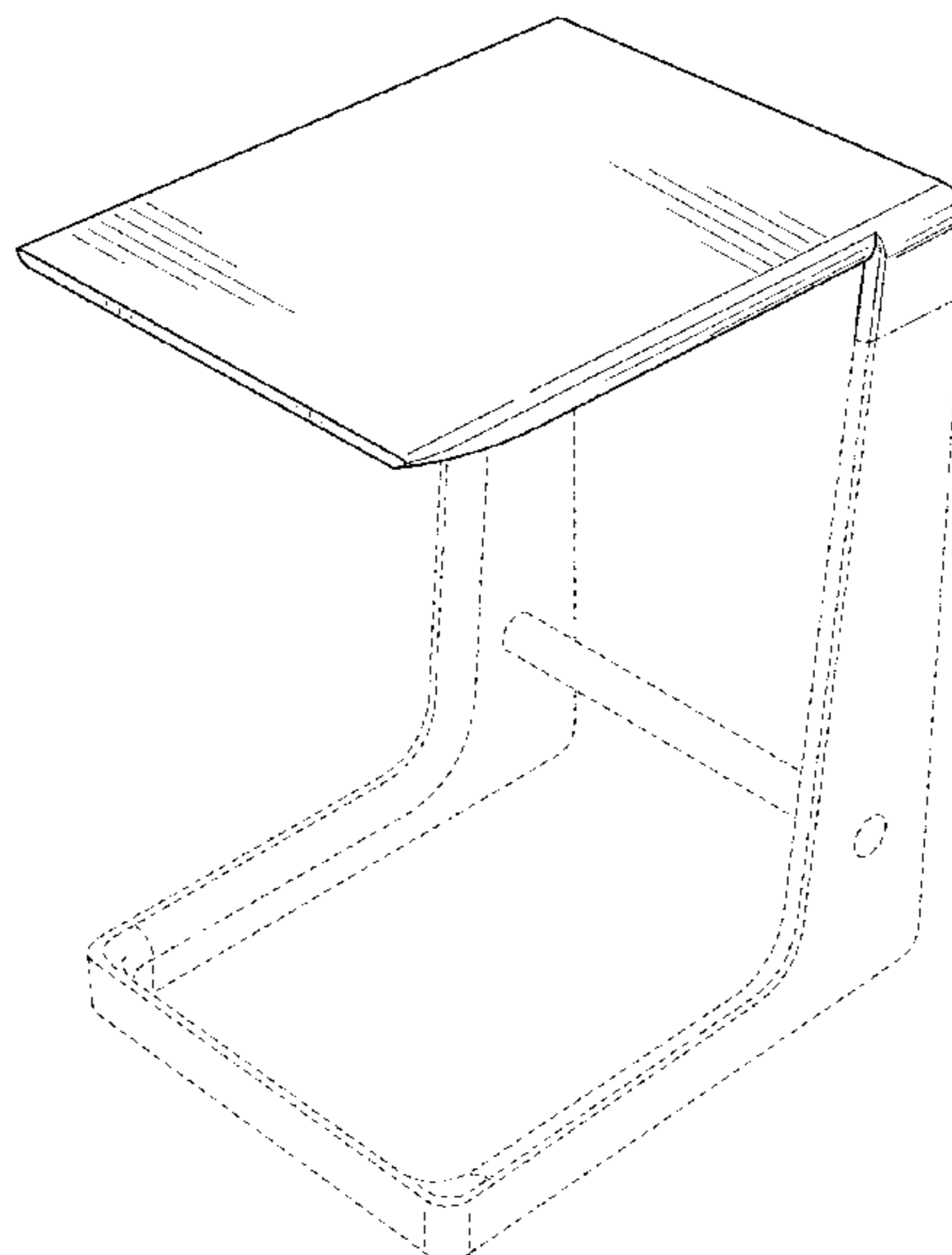
The ornamental design for an end table, as shown and
described.

DESCRIPTION

FIG. 1 is a perspective view of the design of my end table;
FIG. 2 is a front view thereof;
FIG. 3 is a back view thereof;
FIG. 4 is a right view thereof;
FIG. 5 is a left view thereof;
FIG. 6 is a top view thereof; and,
FIG. 7 is a bottom view thereof.

The broken lines shown in the drawings represent portions
of the end table that form no part of the claimed design. The
dot-dashed lines in the figures represent boundary lines
defining a boundary of certain aspects of the claimed design.
It is to be understood that the claimed design extends to but
does not include the defined boundary. For instance, dot-
dashed lines are used in the figures to, inter alia, define a
boundary of or within the body of the end table, it being
understood that the claimed design extends to but does not
include the boundary.

1 Claim, 4 Drawing Sheets



(56)

References Cited

U.S. PATENT DOCUMENTS

D655,950 S * 3/2012 Kvello D6/691.7
D694,044 S 11/2013 Copeland
D697,743 S 1/2014 Thull
D716,597 S 11/2014 Muller
D720,161 S 12/2014 Udagawa et al.
D725,923 S * 4/2015 Kaye D6/349
D743,192 S 11/2015 Davis et al.
9,185,973 B2 * 11/2015 Udagawa A47B 83/02
D759,994 S * 6/2016 Lin D6/656.13
D764,206 S 8/2016 Lin
D769,655 S * 10/2016 Horner, Jr. D6/406.4
2009/0307843 A1 12/2009 Hookway et al.
2015/0068435 A1 * 3/2015 Maslakow B64D 11/0638
108/42
2016/0192772 A1 7/2016 Sorrell

* cited by examiner

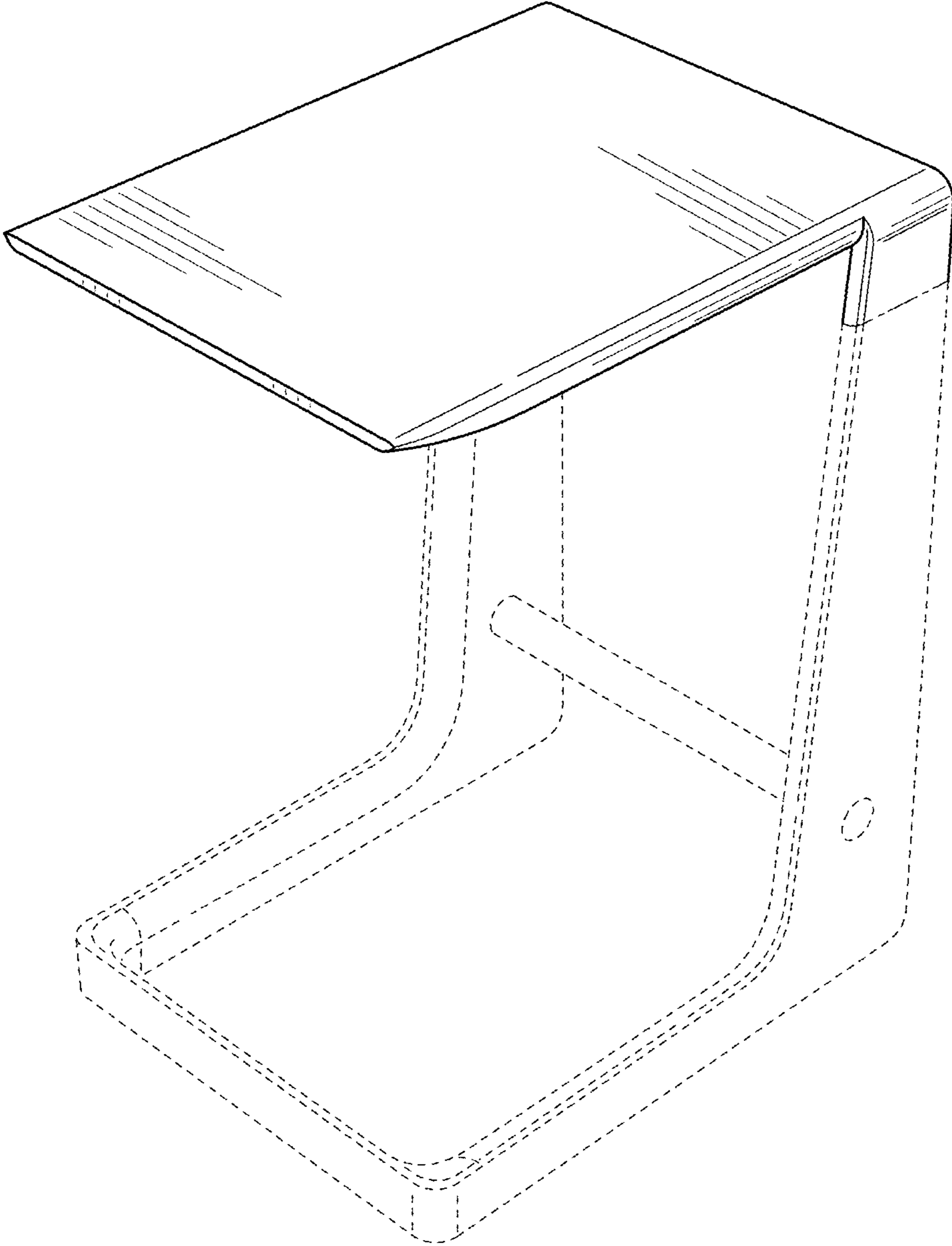


FIG. 1

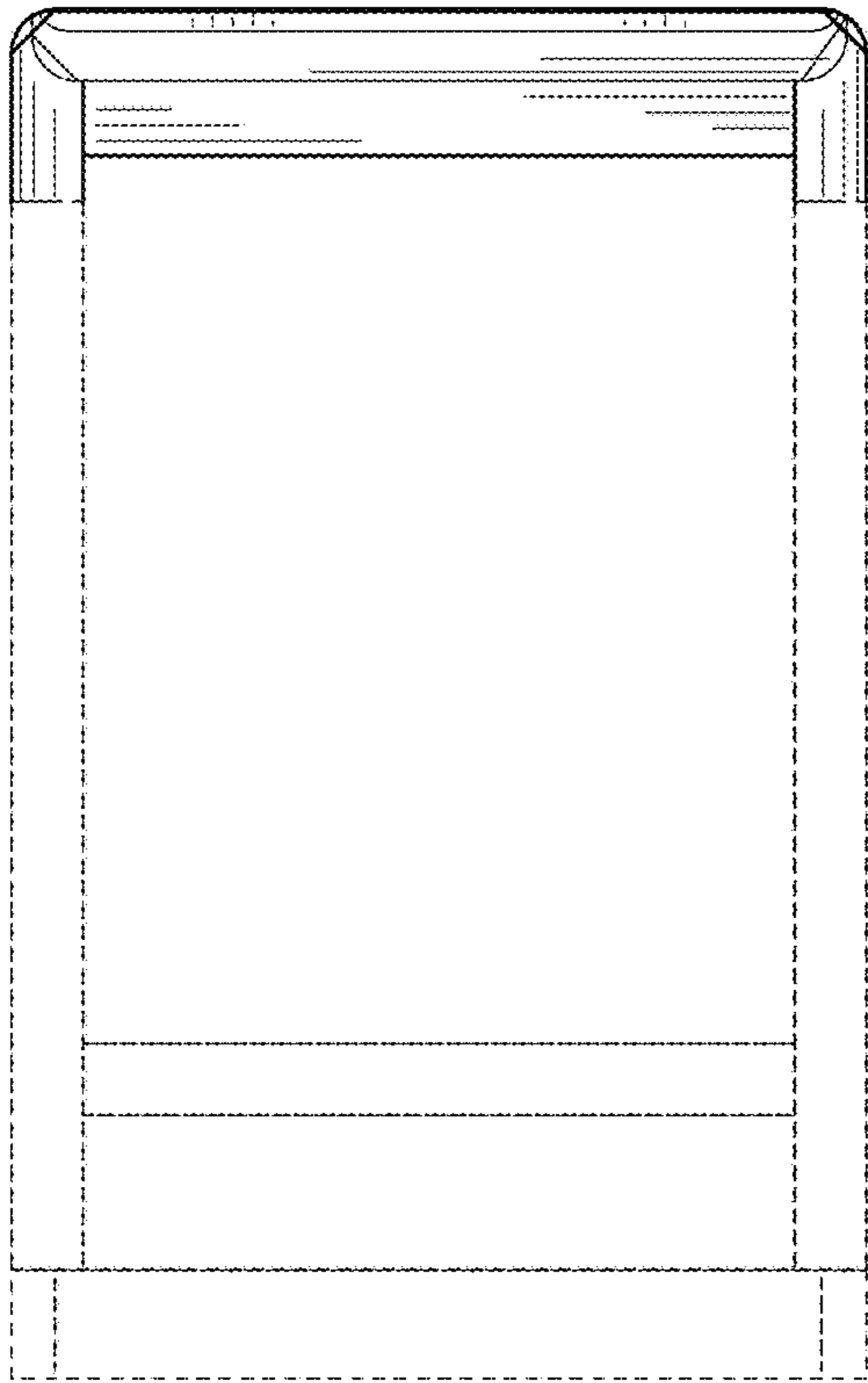


FIG. 2

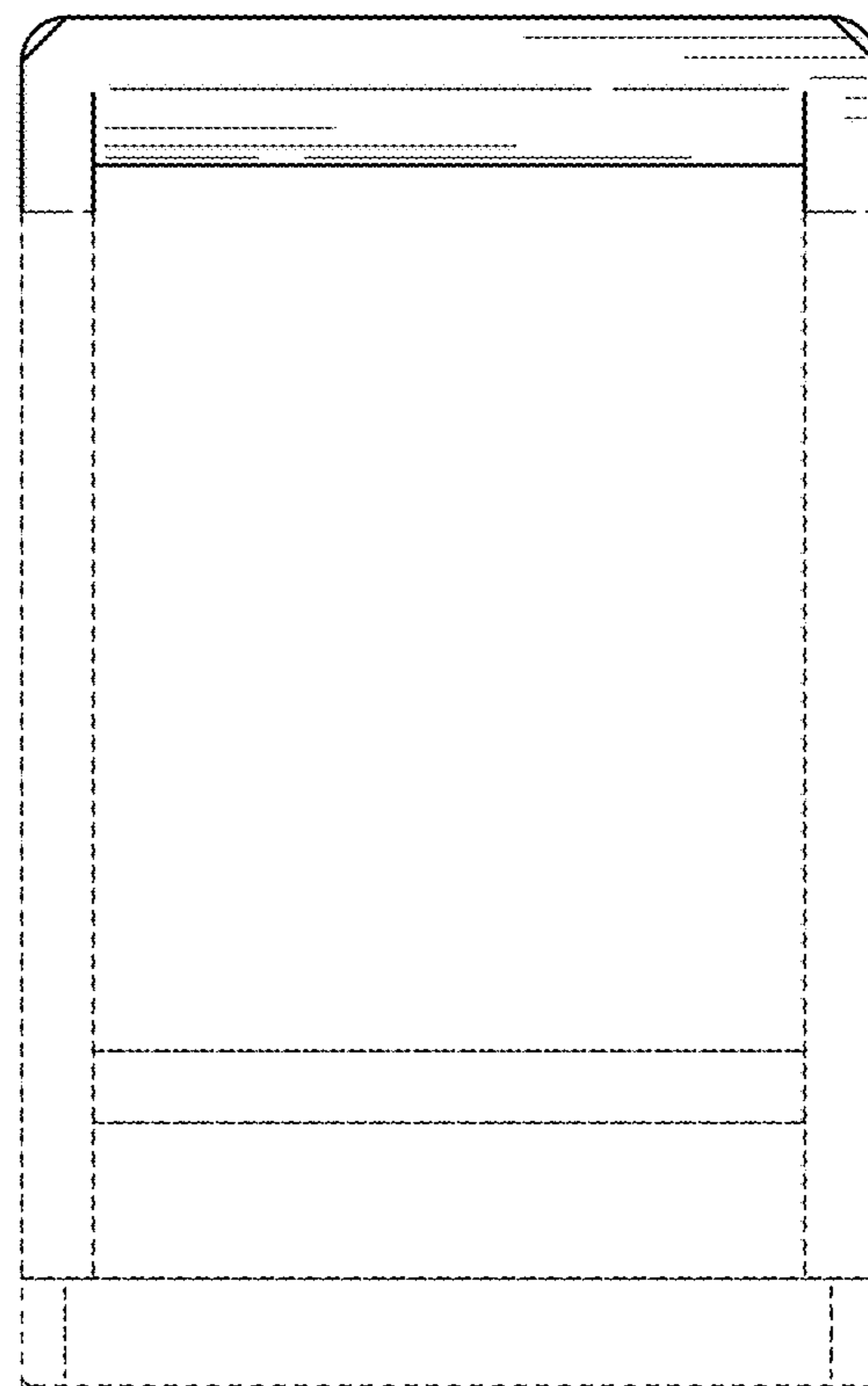


FIG. 3

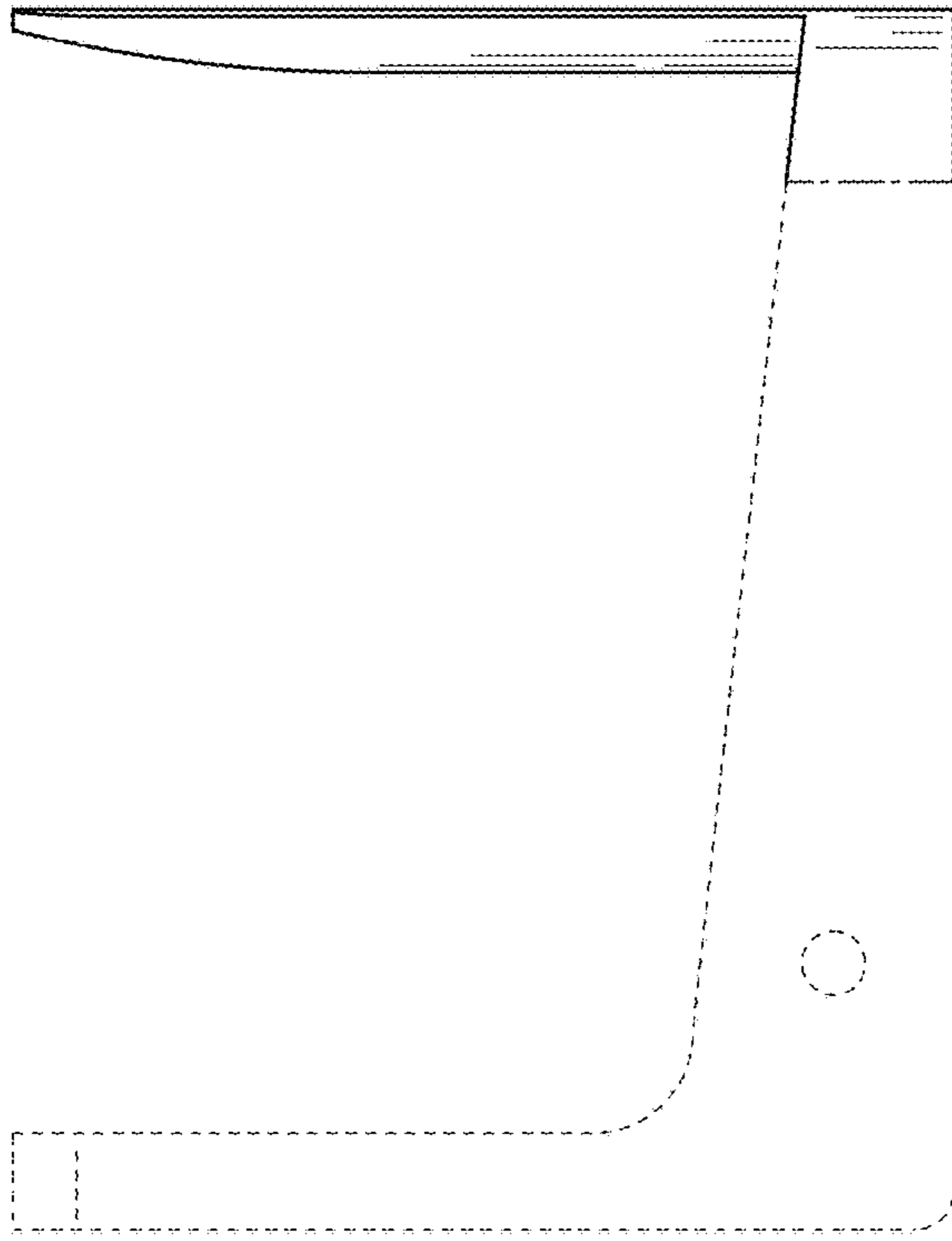


FIG. 4

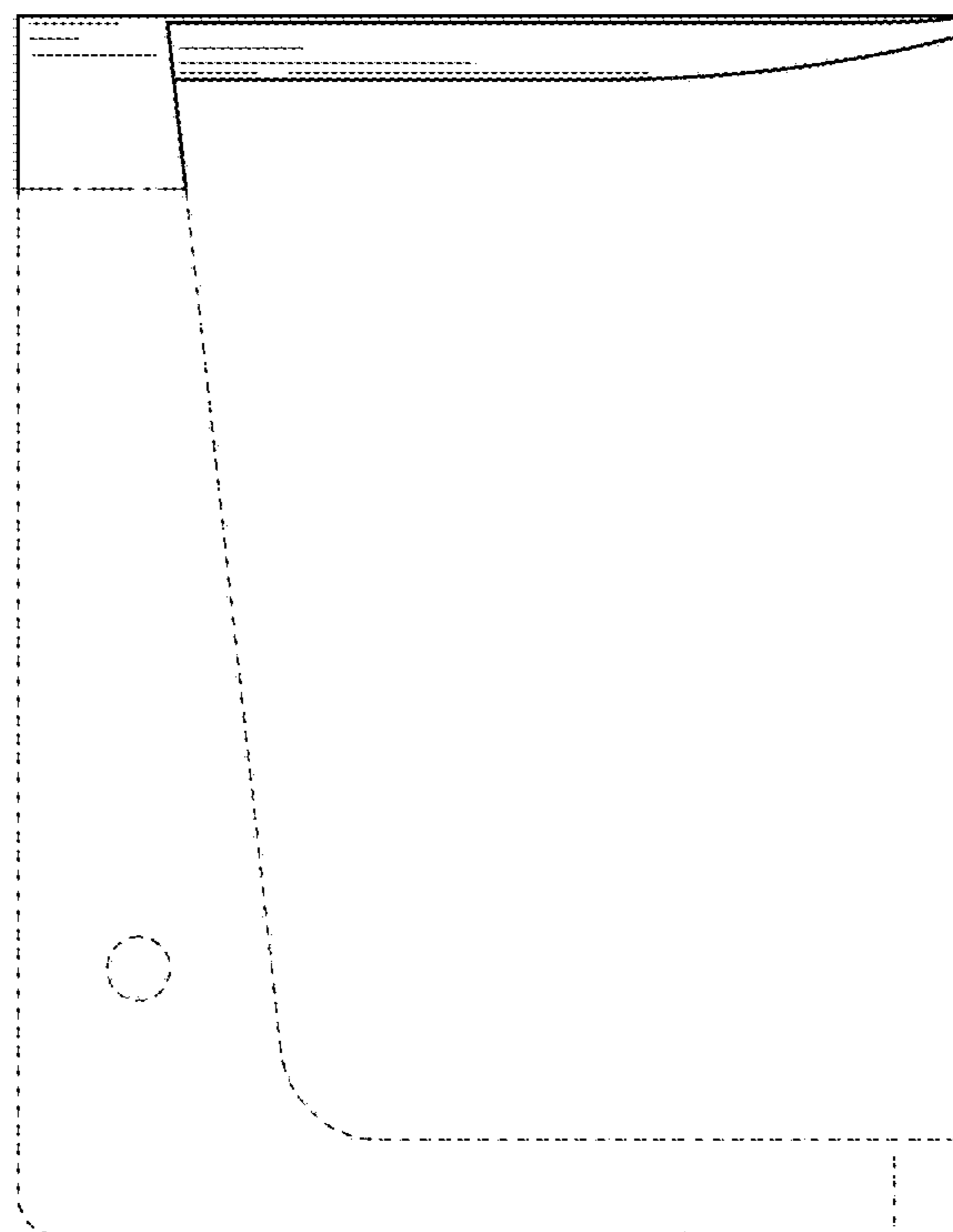


FIG. 5

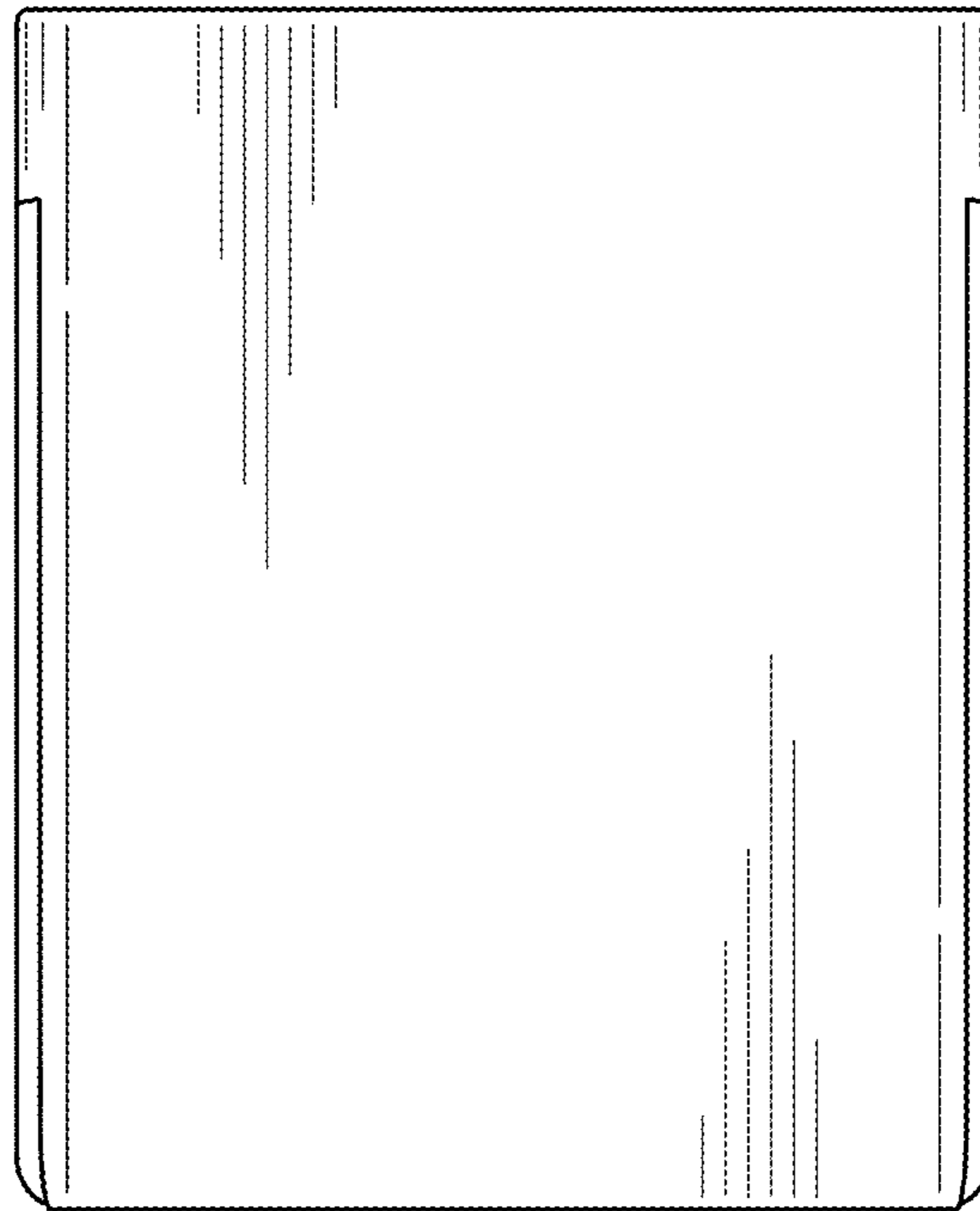


FIG. 6

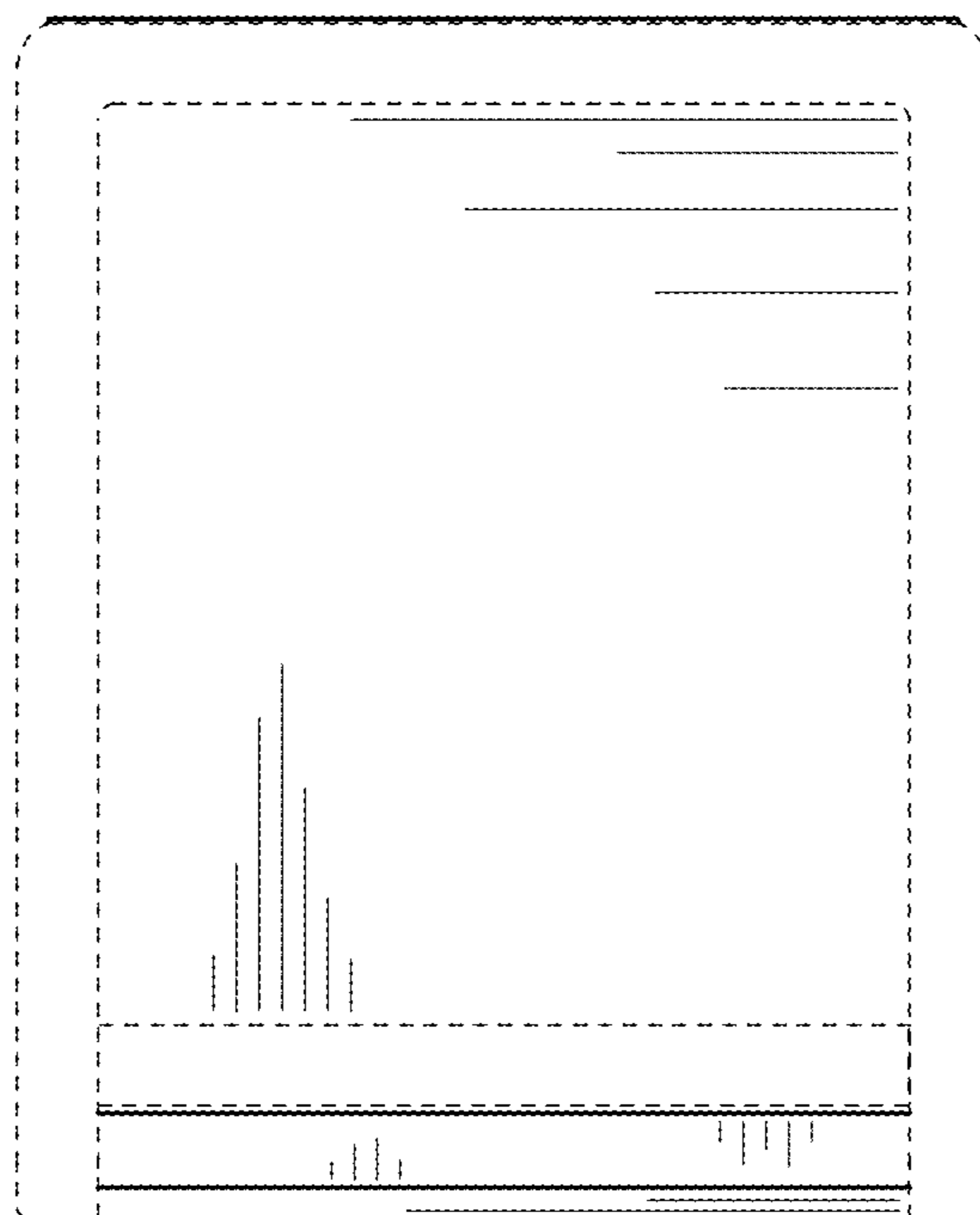


FIG. 7