



US00D782228S

(12) **United States Design Patent**
Gharabegian

(10) **Patent No.:** **US D782,228 S**

(45) **Date of Patent:** **** Mar. 28, 2017**

(54) **SWIVEL TABLE**

(71) Applicant: **Armen Gharabegian**, Glendale, CA
(US)

(72) Inventor: **Armen Gharabegian**, Glendale, CA
(US)

(**) Term: **14 Years**

(21) Appl. No.: **29/503,125**

(22) Filed: **Sep. 23, 2014**

(51) **LOC (10) Cl.** **06-04**

(52) **U.S. Cl.**
USPC **D6/691**

(58) **Field of Classification Search**
USPC D6/691, 653.1, 653.11, 653.18, 654.18,
D6/656.12, 656.13, 692.4, 693.1, 707.15;
108/64, 76
CPC A47B 87/00; A47B 87/002; A47B 87/005;
A47B 87/007; A47B 13/10; A47B
13/081; A47B 2200/0039; A47B
2200/004; A47B 2200/0041; A47B
2200/0042; A47B 2200/0047
See application file for complete search history.

(56) **References Cited**

U.S. PATENT DOCUMENTS

D286,353 S *	10/1986	Robolin	D6/641
D367,775 S *	3/1996	Wood, Jr.	D6/648.4
D370,796 S *	6/1996	Beck	D6/655.1
6,382,109 B1 *	5/2002	Novikoff	A47B 87/002 108/65
D464,502 S *	10/2002	Chen	D6/650
D476,169 S *	6/2003	Buono	D6/691.6
D588,832 S *	3/2009	Mohundro	D6/667
D671,773 S *	12/2012	Johnson	D25/119
D675,042 S *	1/2013	Mecherle	D6/691

(Continued)

Primary Examiner — Rosemary K Tarcza
Assistant Examiner — James Thorn, Sr.

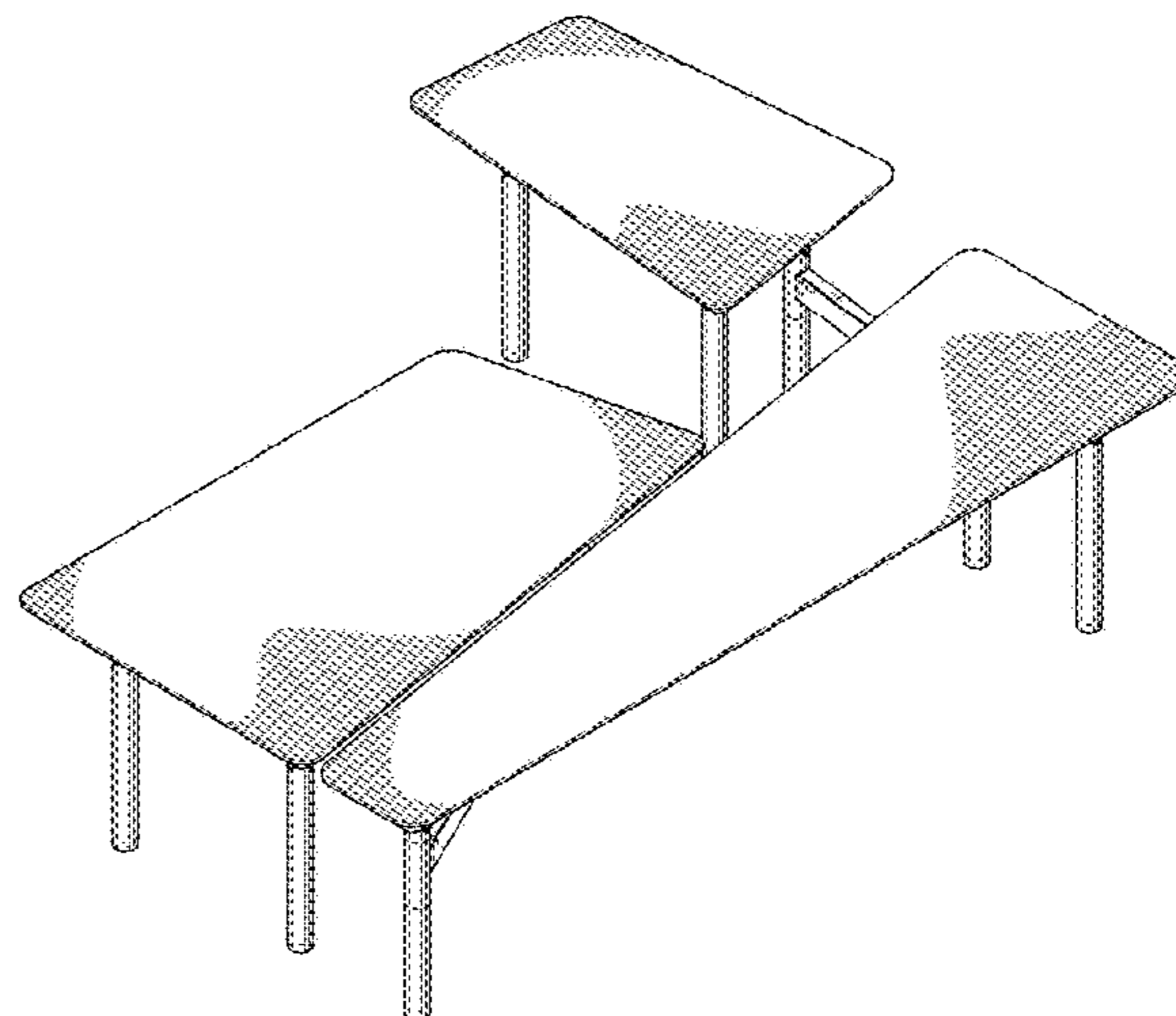
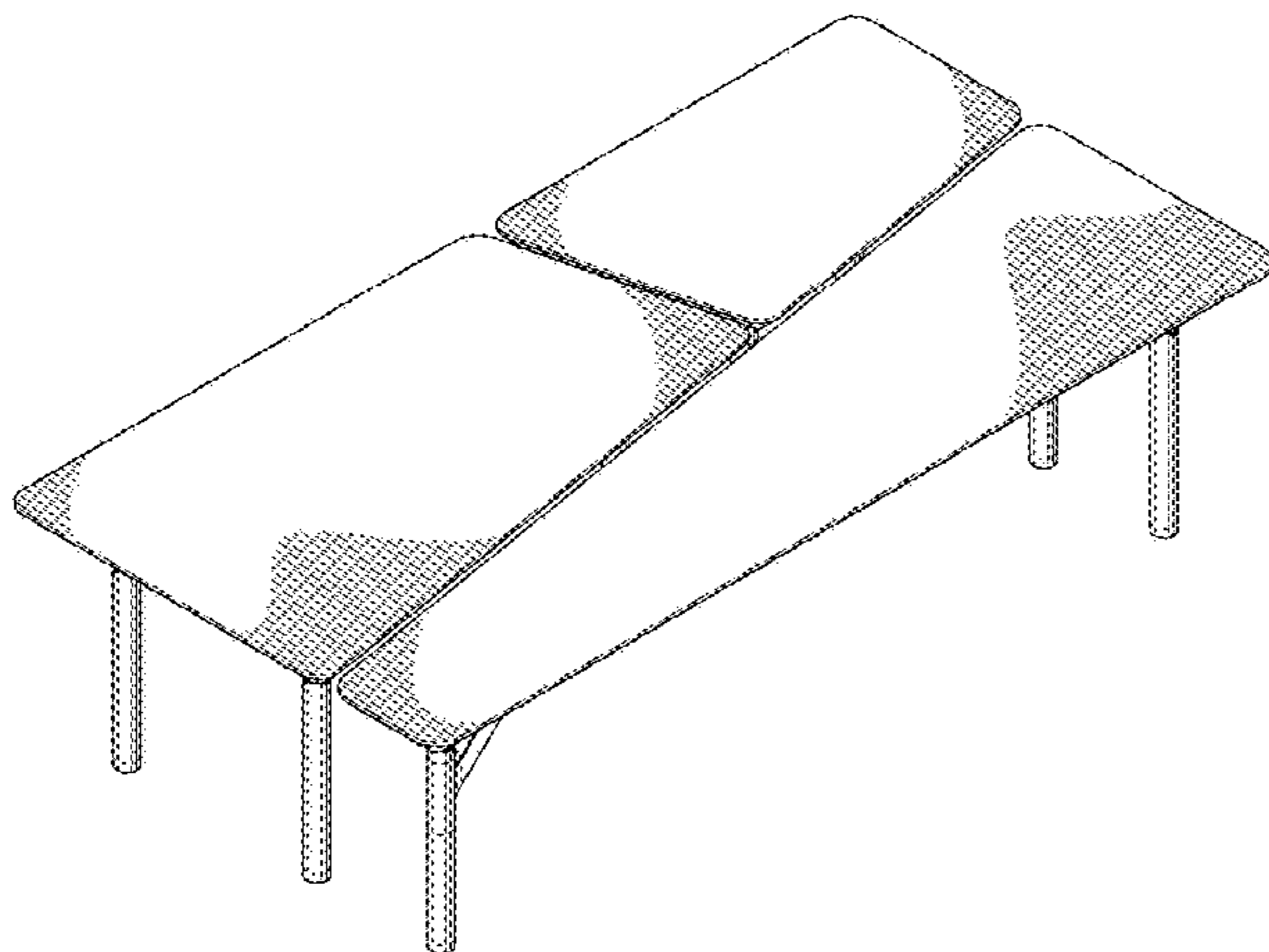
(57) **CLAIM**

The ornamental design for a swivel table design, as shown and described herein.

DESCRIPTION

FIG. 1 is a top, front, left side perspective view of a swivel table design according to the present invention;
 FIG. 2 is a front elevation view thereof.
 FIG. 3 is a back elevation view thereof.
 FIG. 4 is a left side elevation view thereof.
 FIG. 5 is a top plan view thereof.
 FIG. 6 is a bottom plan view thereof.
 FIG. 7 is a right side elevation view thereof.
 FIG. 8 is a top, front, left side perspective view of the swivel table design of FIG. 1 with the movable portions in a second position.
 FIG. 9 is a top, front, left side perspective view of the swivel table design of FIG. 1 with the movable portions in a third position.
 FIG. 10 is a top, front, left side perspective view of the swivel table design of FIG. 1 with the movable portions in a fourth position.
 FIG. 11 is a top, front, left side perspective view of the swivel table design of FIG. 1 with the movable portions in a fifth position.
 FIG. 12 is a top, front, left side perspective view of the swivel table design of FIG. 1 with the movable portions in a sixth position; and,
 FIG. 13 is a top, front, left side perspective view of the swivel table design of FIG. 1 with the movable portions in a seventh position.
 The broken lines shown in FIGS. 1-4 and 6-13 are included for the purpose of illustrating environmental structure and form no part of the claimed design.

1 Claim, 11 Drawing Sheets



(56)

References Cited

U.S. PATENT DOCUMENTS

D684,799 S *	6/2013	Kong	D6/653.18
D728,981 S *	5/2015	Legare	D6/707.15
D736,021 S *	8/2015	Legare	D6/707.15
D750,402 S *	3/2016	Lin	D6/691
D759,994 S *	6/2016	Lin	D6/656.13

* cited by examiner

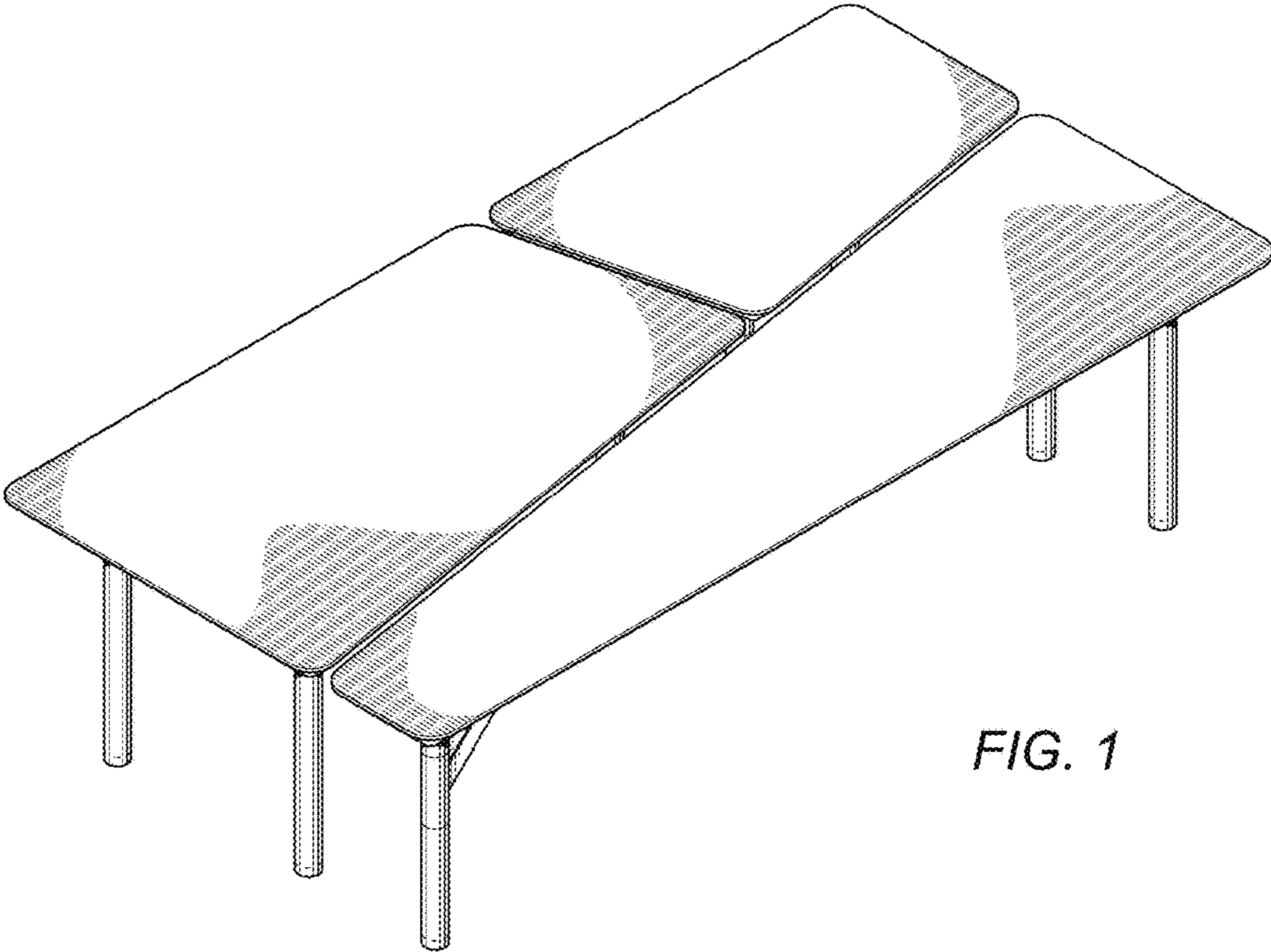


FIG. 1

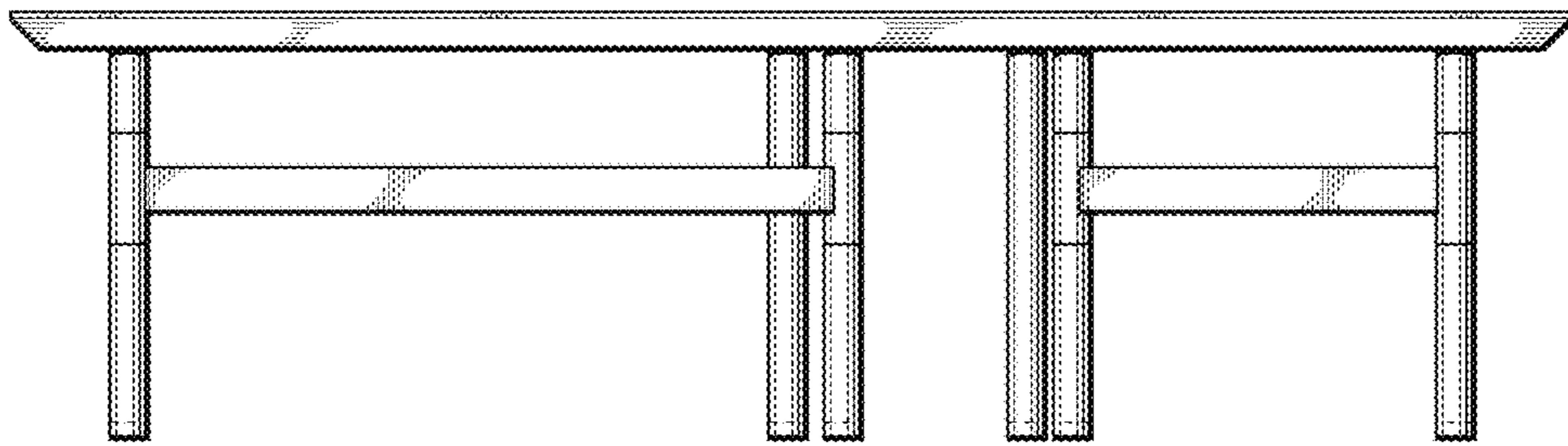


FIG. 2

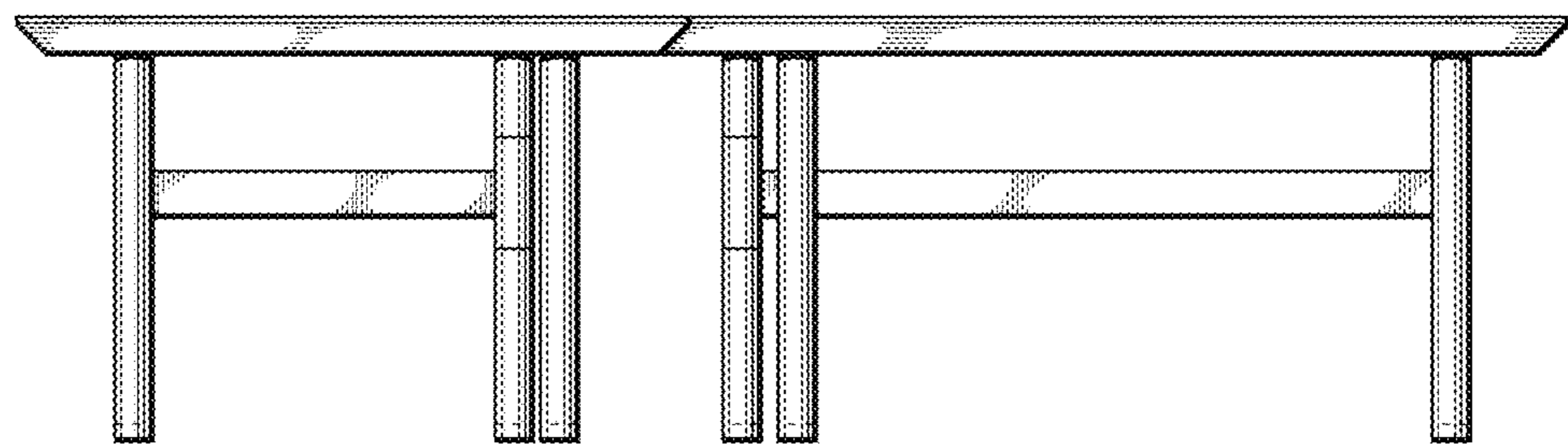


FIG. 3

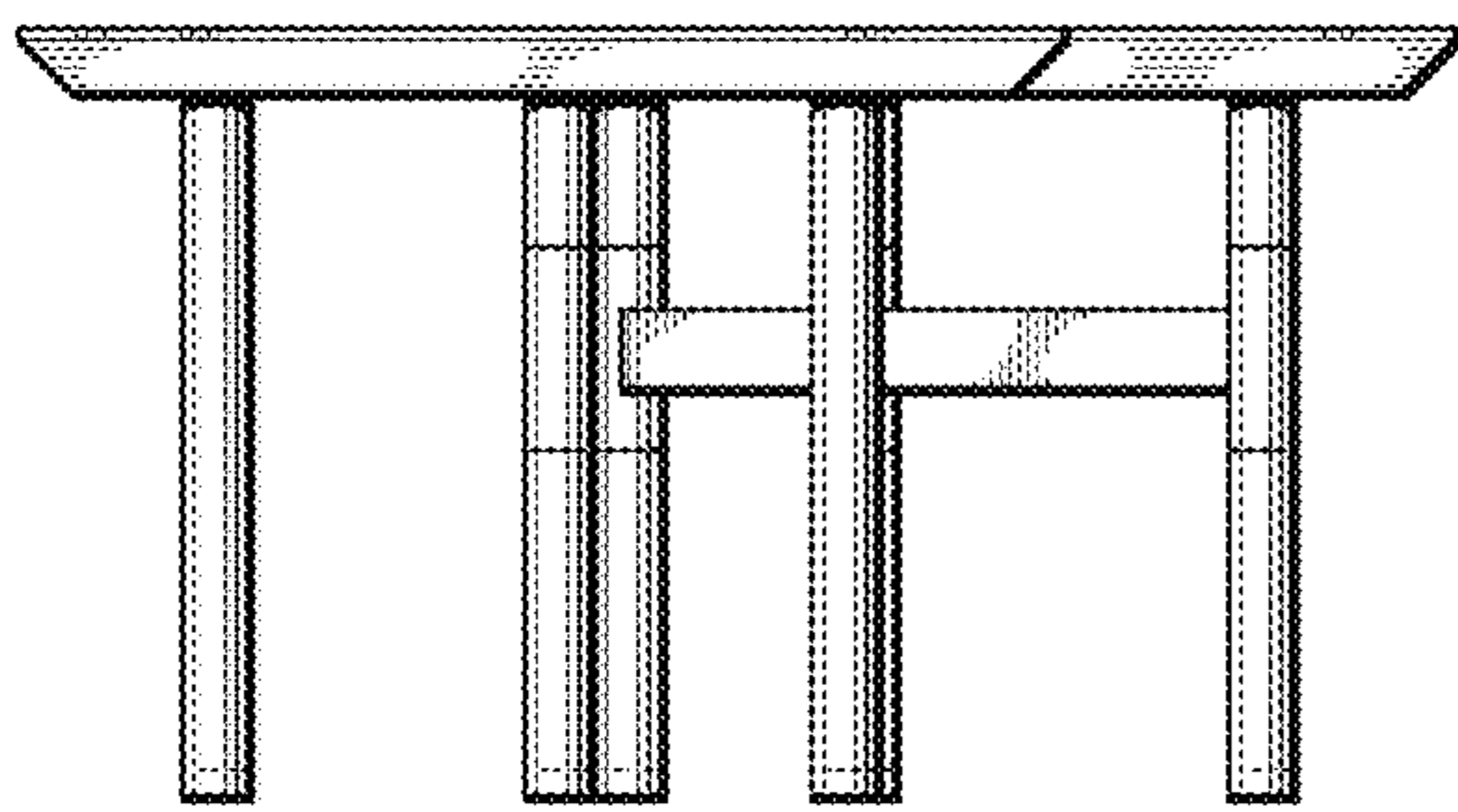


FIG. 4

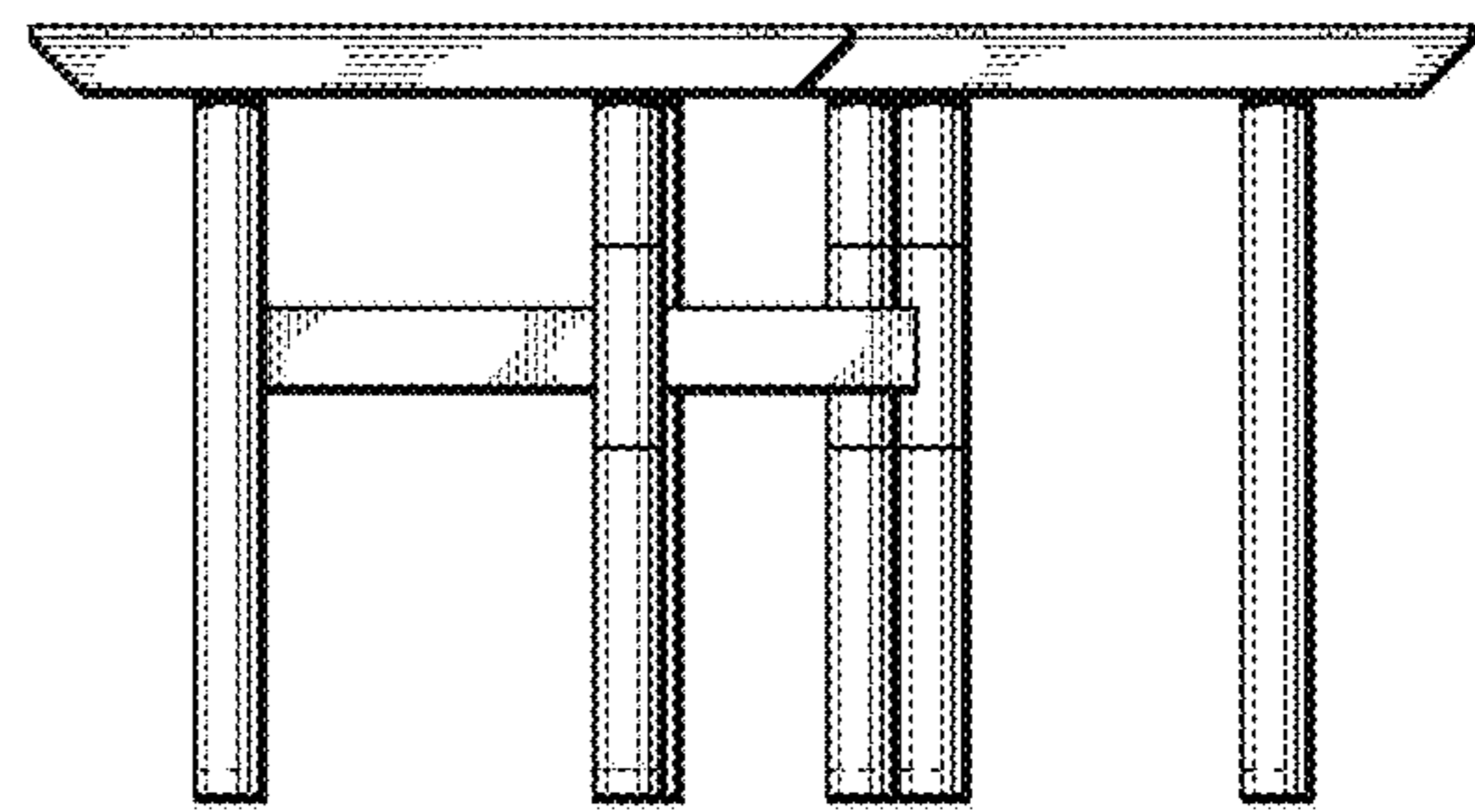


FIG. 7

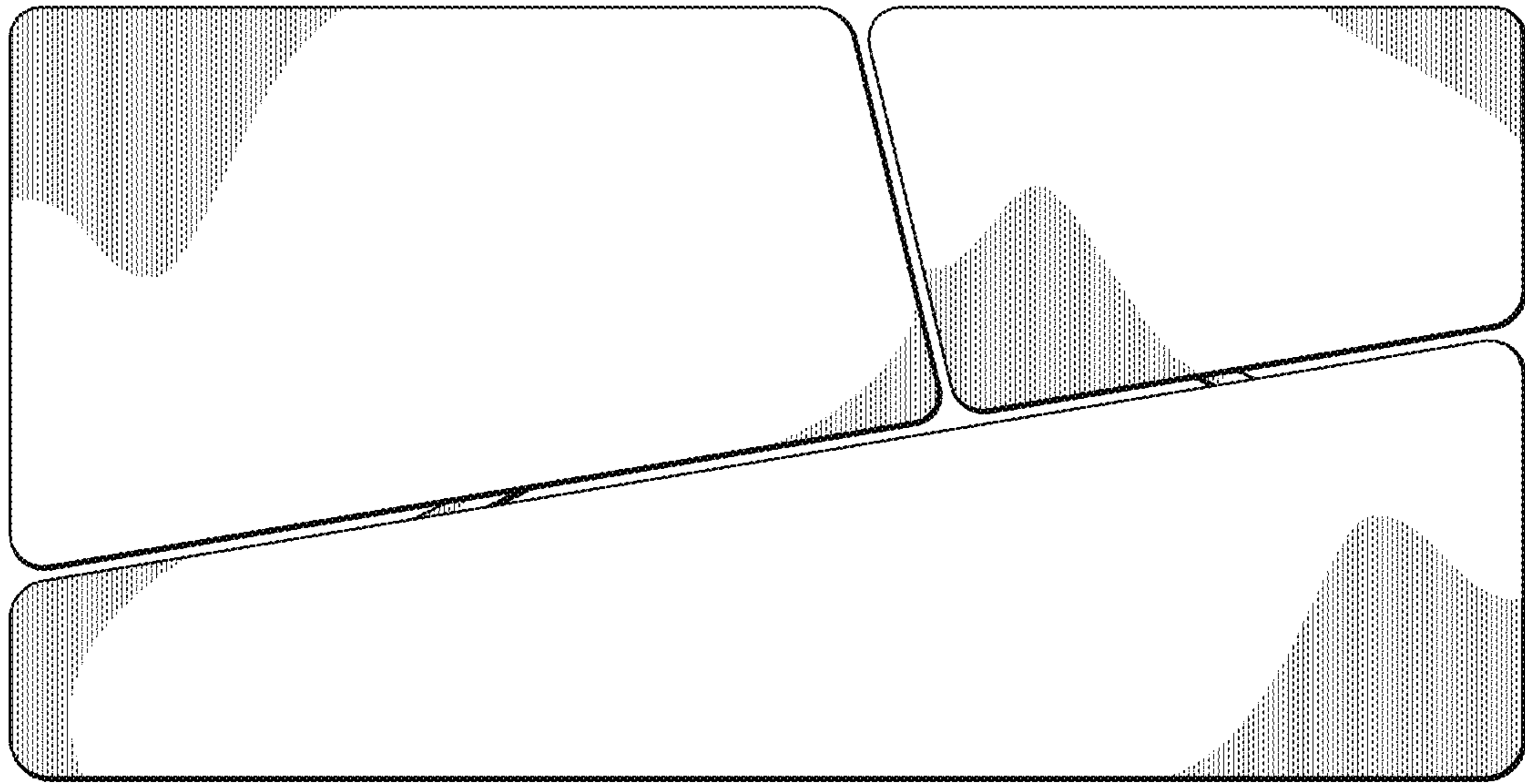


FIG. 5

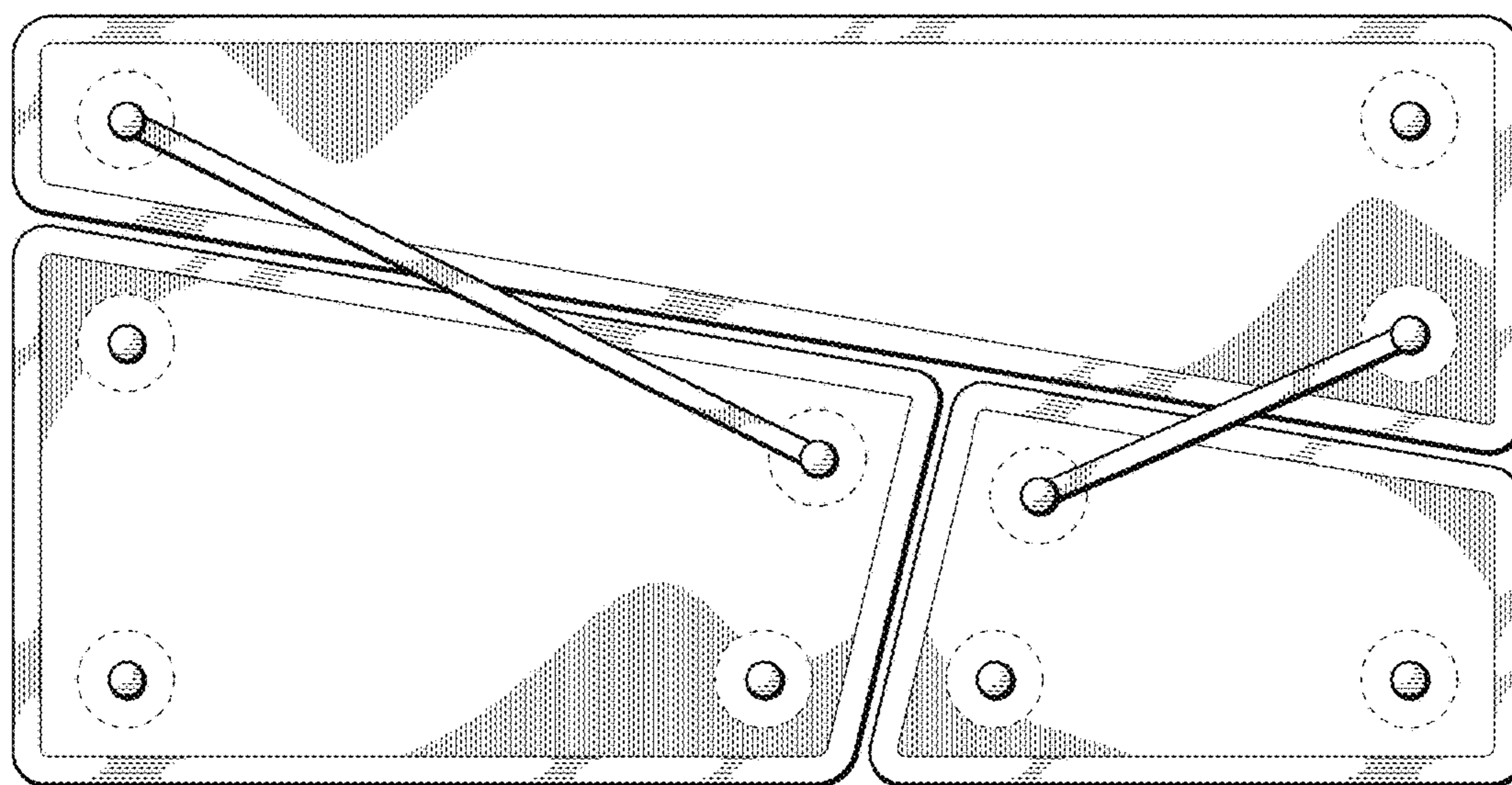


FIG. 6

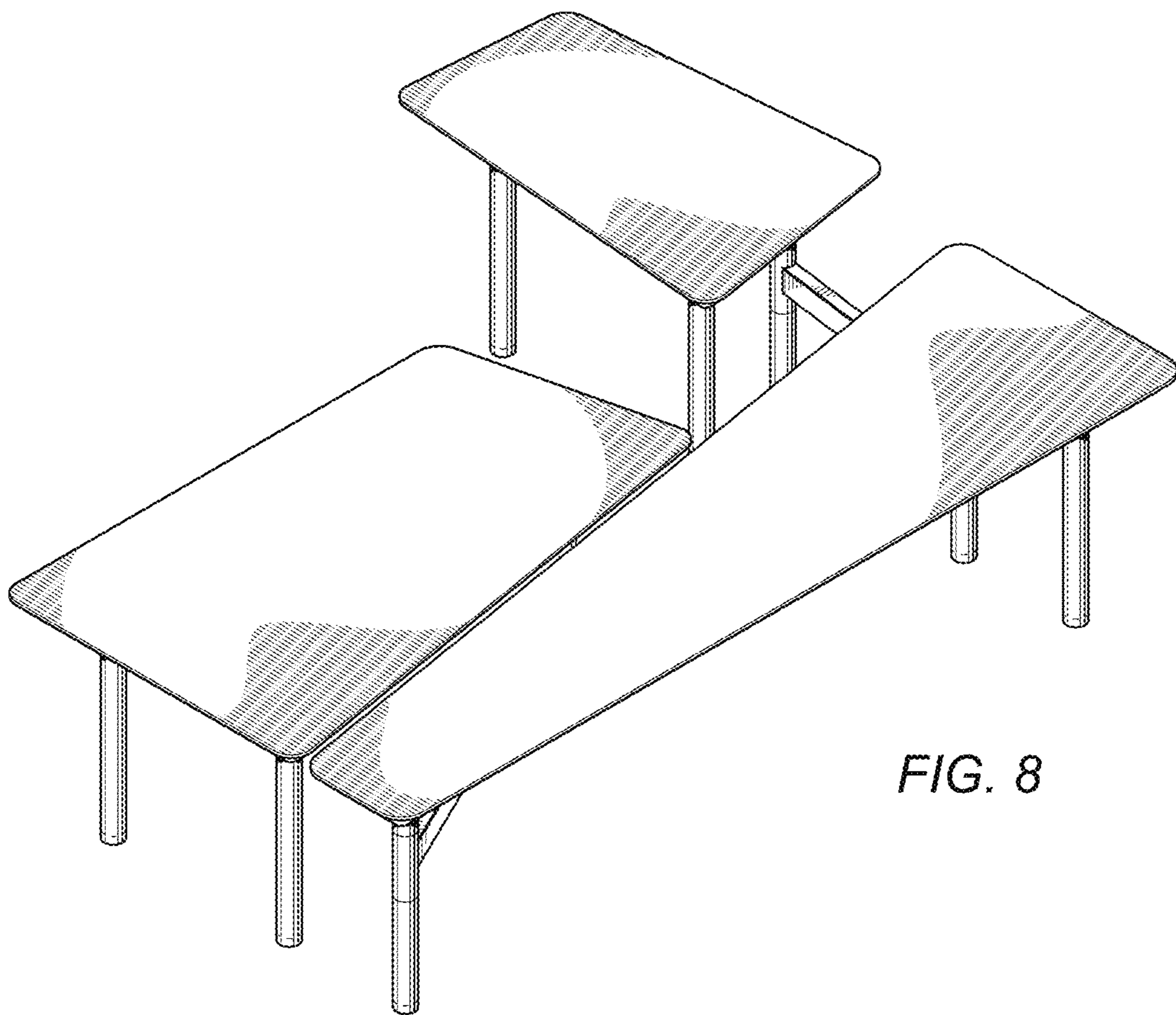


FIG. 8

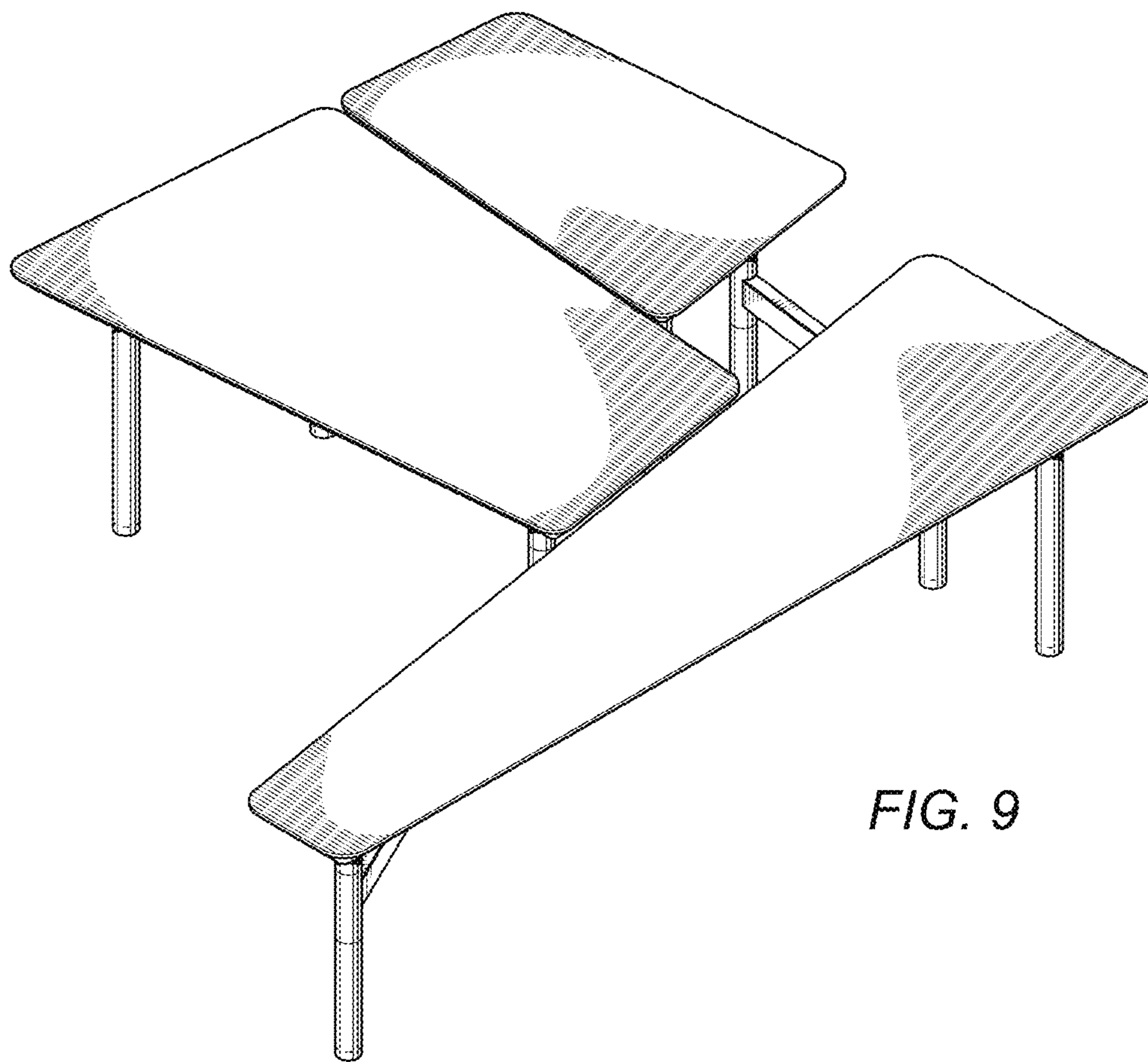


FIG. 9

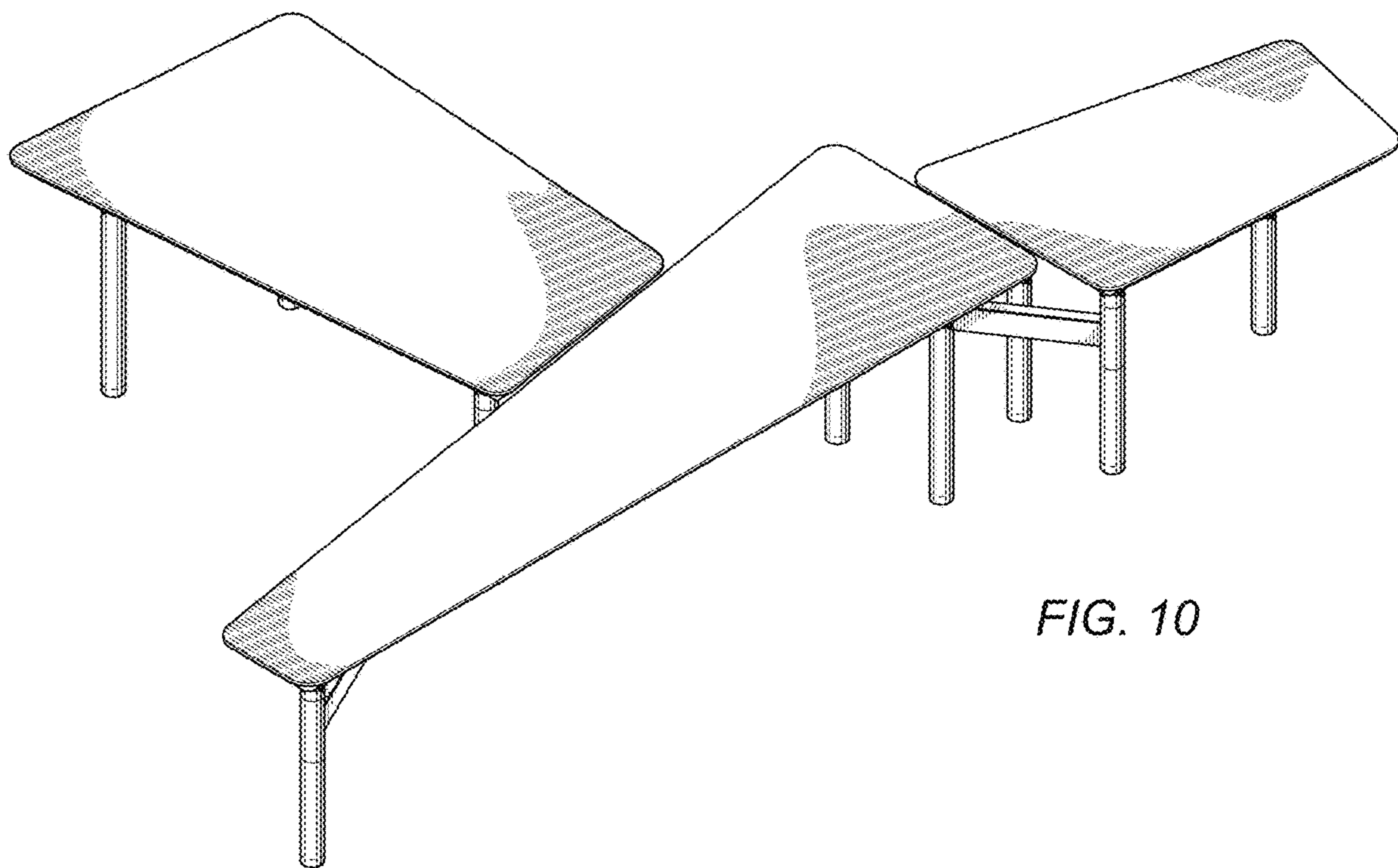


FIG. 10

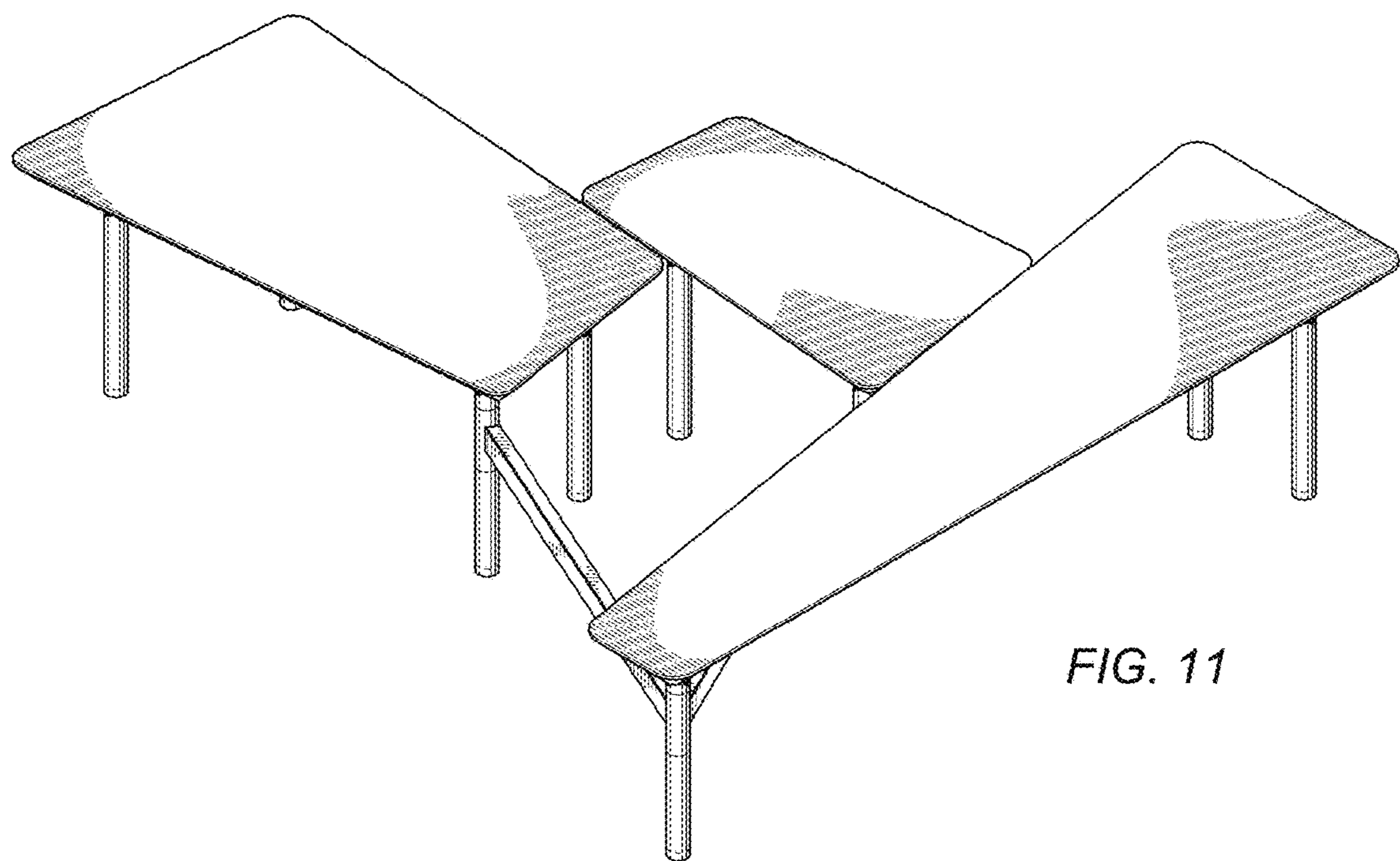


FIG. 11

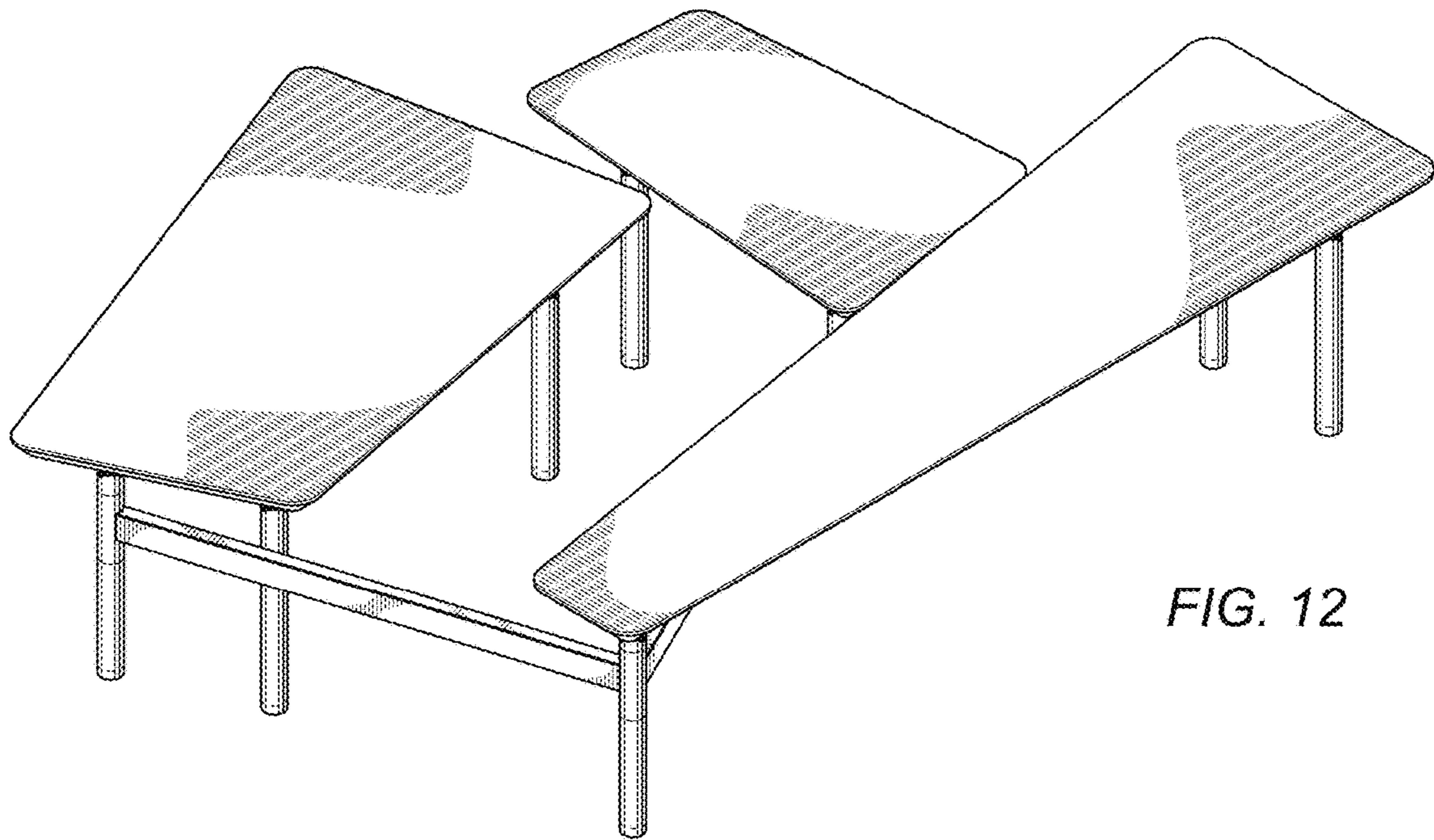


FIG. 12

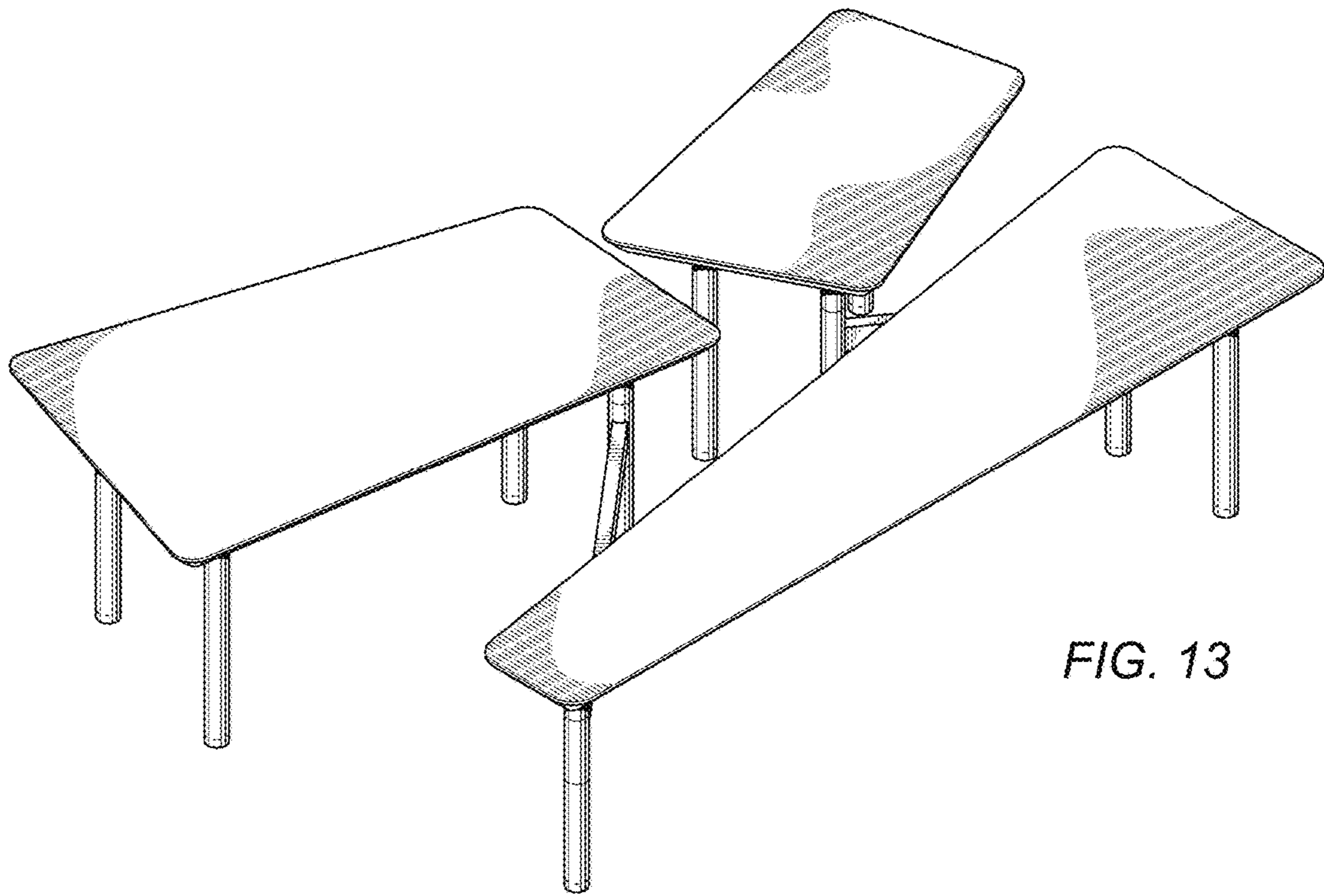


FIG. 13