



US00D782226S

(12) **United States Design Patent** (10) **Patent No.:** **US D782,226 S**  
**Zheng et al.** (45) **Date of Patent:** **\*\* Mar. 28, 2017**

(54) **DISPLAY STAND**

(71) Applicant: **SZ DJI TECHNOLOGY CO., LTD.**,  
Shenzhen (CN)

(72) Inventors: **Hai-Bin Zheng**, Shenzhen (CN); **Min Kim**, Shenzhen (CN)

(73) Assignee: **SZ DJI Technology Co., LTD.**,  
Shenzhen (CN)

(\*\*) Term: **14 Years**

(21) Appl. No.: **29/514,763**

(22) Filed: **Jan. 15, 2015**

(51) **LOC (10) Cl.** ..... **06-04**

(52) **U.S. Cl.**  
USPC ..... **D6/672**

(58) **Field of Classification Search**  
USPC .. D6/672, 678, 674, 698, 699, 683.1, 682.2;  
D14/126, 447, 451; 248/688, 689, 371;  
108/32, 57.3, 147.11, 149, 157.13  
CPC ..... A47B 43/006; A47F 5/13; A47F 5/0018;  
B65D 2519/00024; F25D 25/02; A01K  
63/065

See application file for complete search history.

(56) **References Cited**

**U.S. PATENT DOCUMENTS**

D264,277 S *	5/1982	Poelvoorde	.....	D6/672
D283,954 S *	5/1986	Daws	.....	D6/310
D287,912 S *	1/1987	Ferrero	.....	D6/683.1
D321,100 S *	10/1991	Dorrell	.....	D6/683.1
D353,404 S *	12/1994	Fletcher	.....	D20/10
D353,499 S *	12/1994	Schwallenstecker	.....	D6/678
D359,636 S *	6/1995	Rosenberg	.....	D6/672
D362,768 S *	10/1995	Lechleiter	.....	D6/683.1
D370,574 S *	6/1996	Lechleiter	.....	D6/682.2
D373,584 S *	9/1996	Anand	.....	D14/126

D393,160 S *	4/1998	Canton Gongora	.....	D6/672
6,061,104 A *	5/2000	Evanicky	.....	F16M 11/18 248/274.1
D447,357 S *	9/2001	Sims	.....	D6/641
D584,075 S *	1/2009	Hung	.....	D14/239
D593,768 S *	6/2009	Lee	.....	D6/673
D600,945 S *	9/2009	Kelsen	.....	D14/451
D643,228 S *	8/2011	Strempack	.....	D6/682.2
D683,553 S *	6/2013	Kikkert	.....	D6/674
D683,982 S *	6/2013	Kikkert	.....	D6/674
D684,793 S *	6/2013	Kikkert	.....	D6/674
D685,205 S *	7/2013	Kikkert	.....	D6/674
D687,243 S *	8/2013	Kikkert	.....	D6/674
D714,794 S *	10/2014	Quijano	.....	D14/447
D722,794 S *	2/2015	Luong	.....	D20/19
D732,496 S *	6/2015	Mellingen	.....	D14/126
D739,779 S *	9/2015	McKinney	.....	D10/106.9

(Continued)

*Primary Examiner* — John Windmuller

*Assistant Examiner* — Steven Czyz

(74) *Attorney, Agent, or Firm* — Sterne, Kessler,  
Goldstein & Fox P.L.L.C.

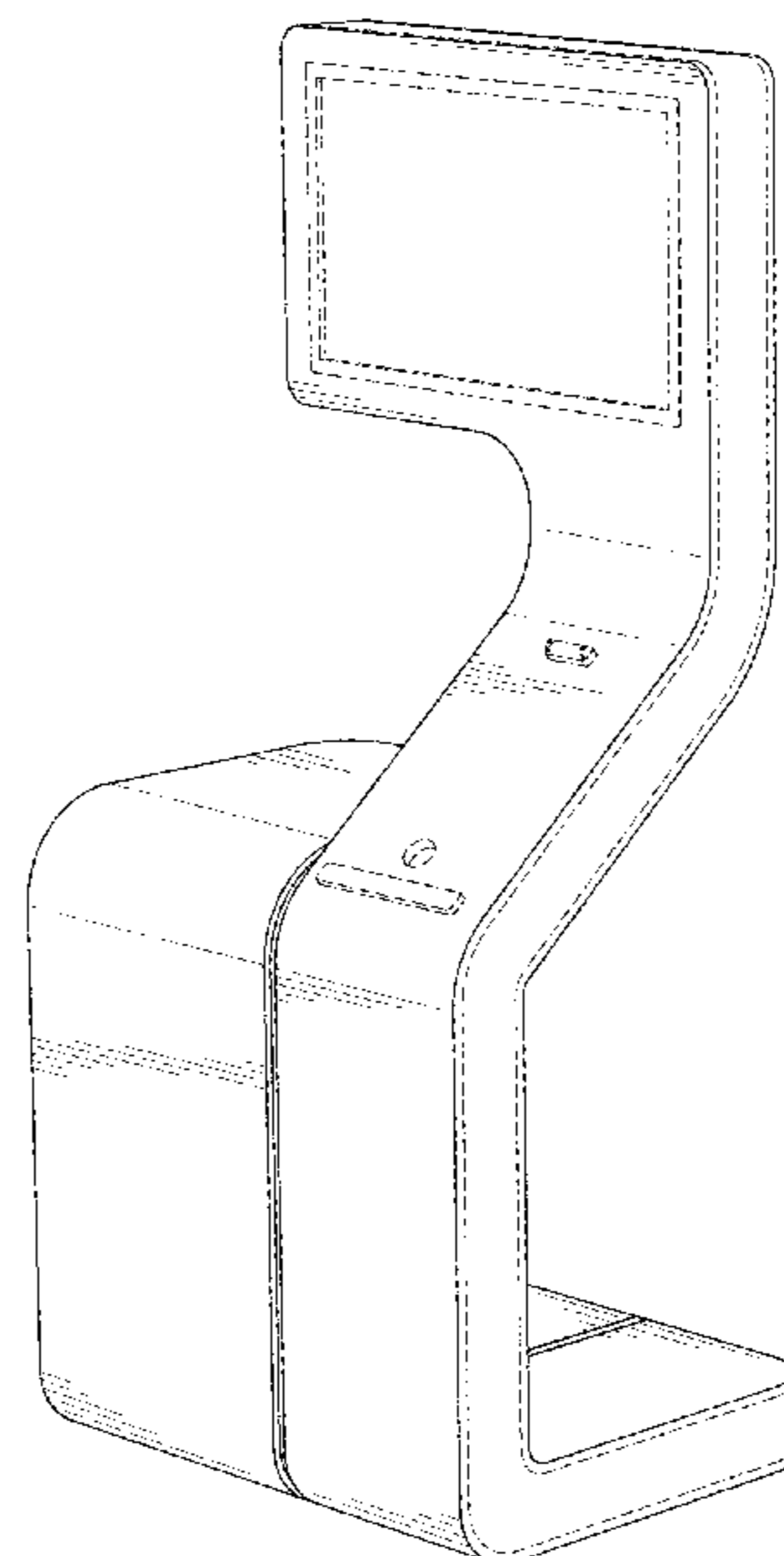
(57) **CLAIM**

The ornamental design for a display stand, as shown and described.

**DESCRIPTION**

FIG. 1 is a front perspective view of a display stand, showing the claimed design;  
 FIG. 2 is a front view thereof;  
 FIG. 3 is a rear view thereof;  
 FIG. 4 is a left side view thereof;  
 FIG. 5 is a right side view thereof;  
 FIG. 6 is a top view thereof; and,  
 FIG. 7 is a bottom view thereof.  
 The broken lines in the figures show portions of the display stand that form no part of the claimed design.

**1 Claim, 7 Drawing Sheets**



(56)

**References Cited**

U.S. PATENT DOCUMENTS

2010/0236454 A1\* 9/2010 Parizek ..... A47B 3/10  
108/38  
2013/0048802 A1\* 2/2013 Guran ..... F16M 11/041  
248/122.1  
2016/0261139 A1\* 9/2016 Kidakarn ..... H02J 7/025

\* cited by examiner

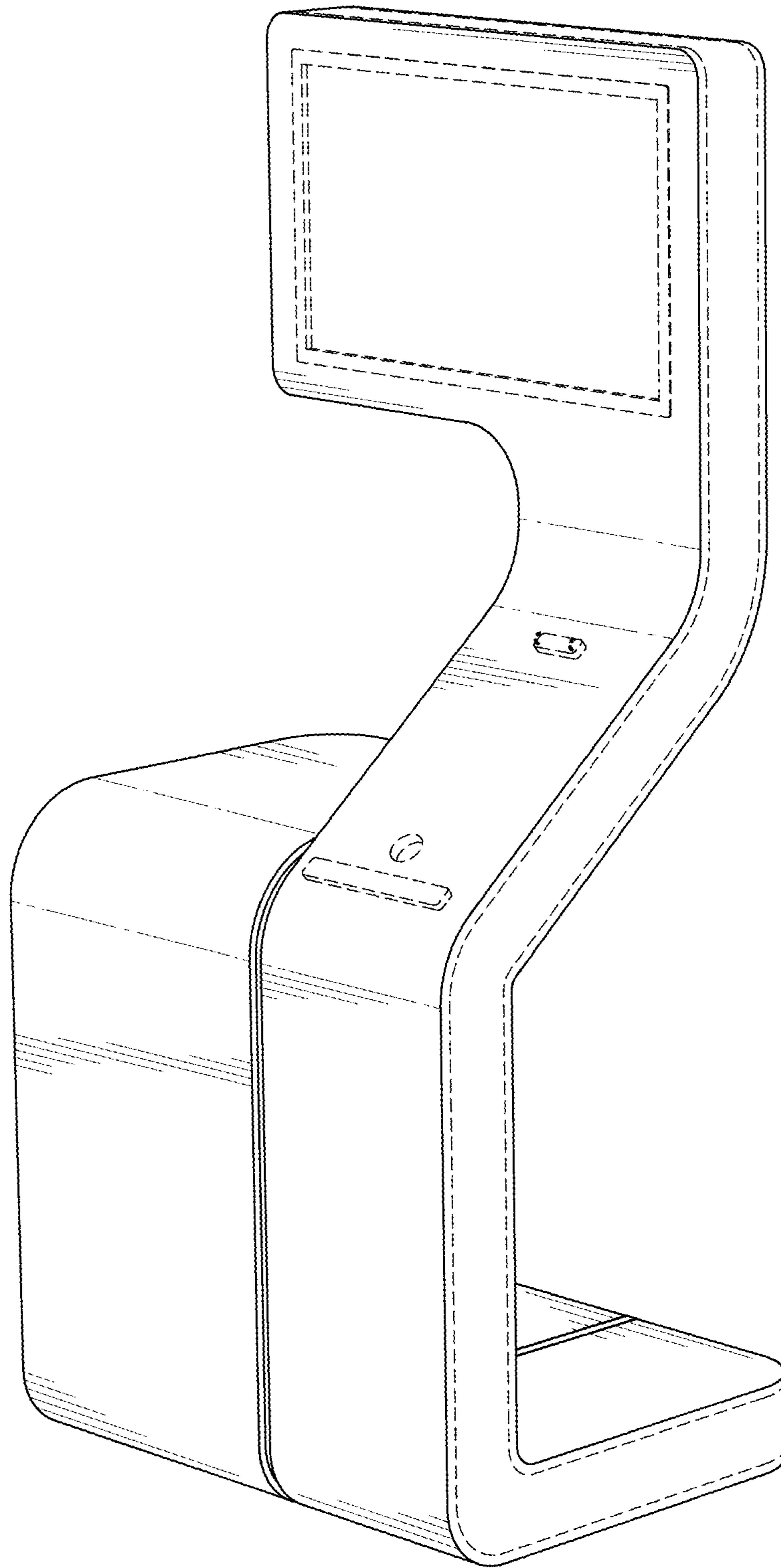


FIG. 1

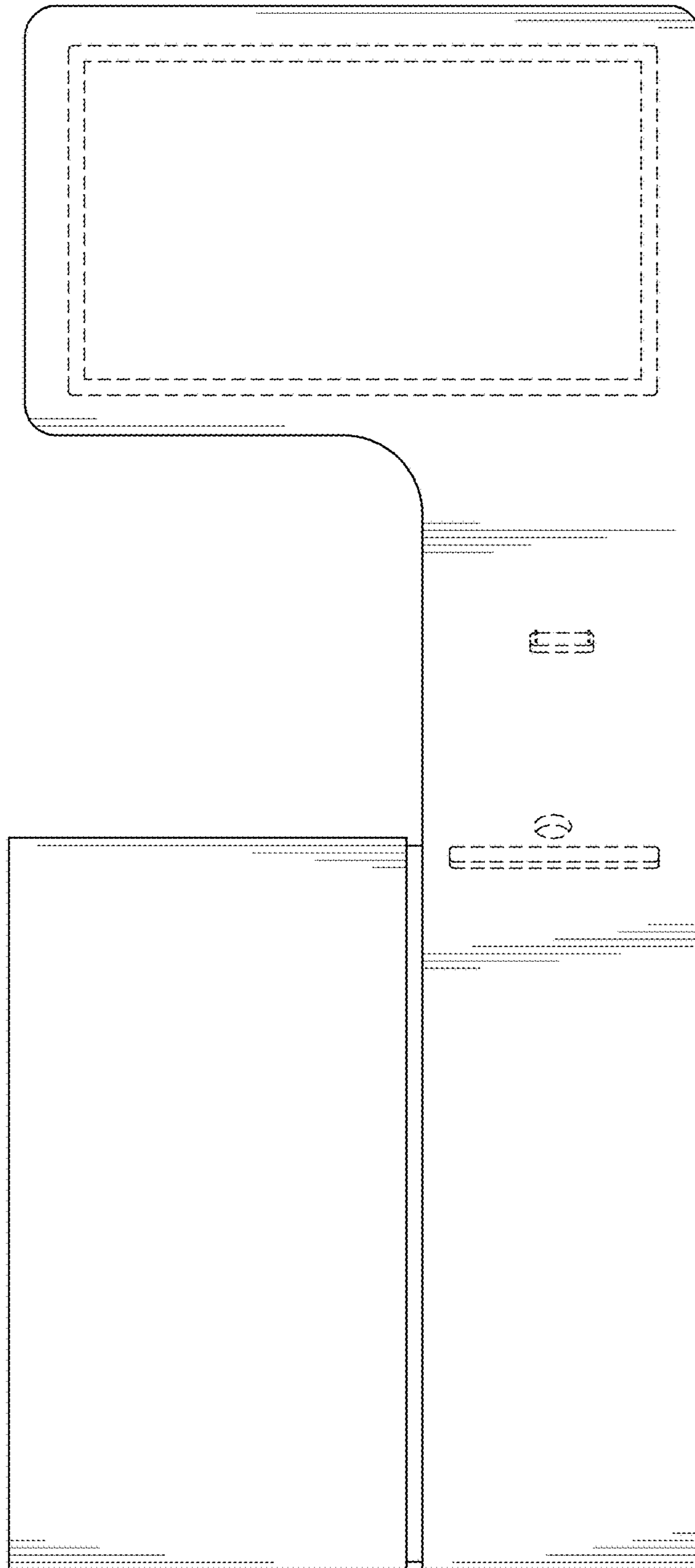


FIG. 2

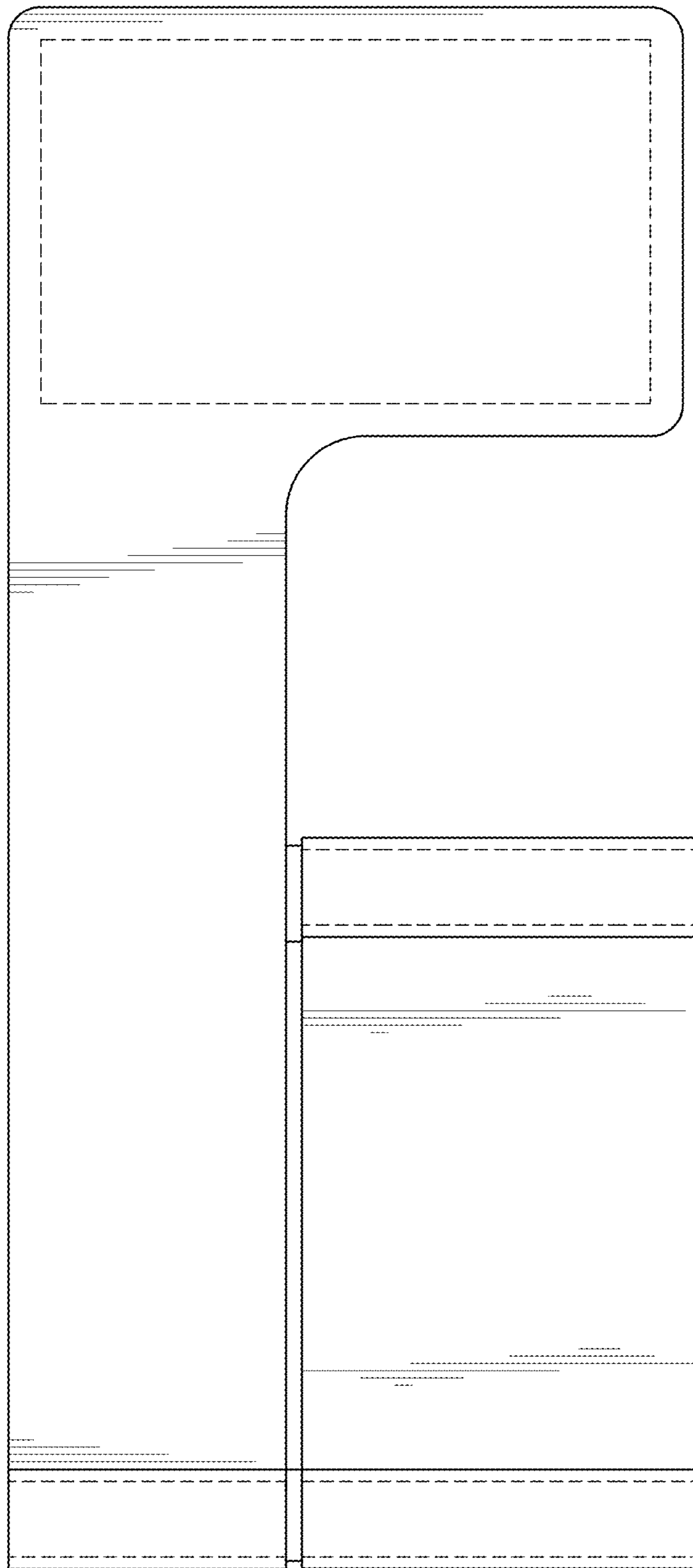


FIG. 3

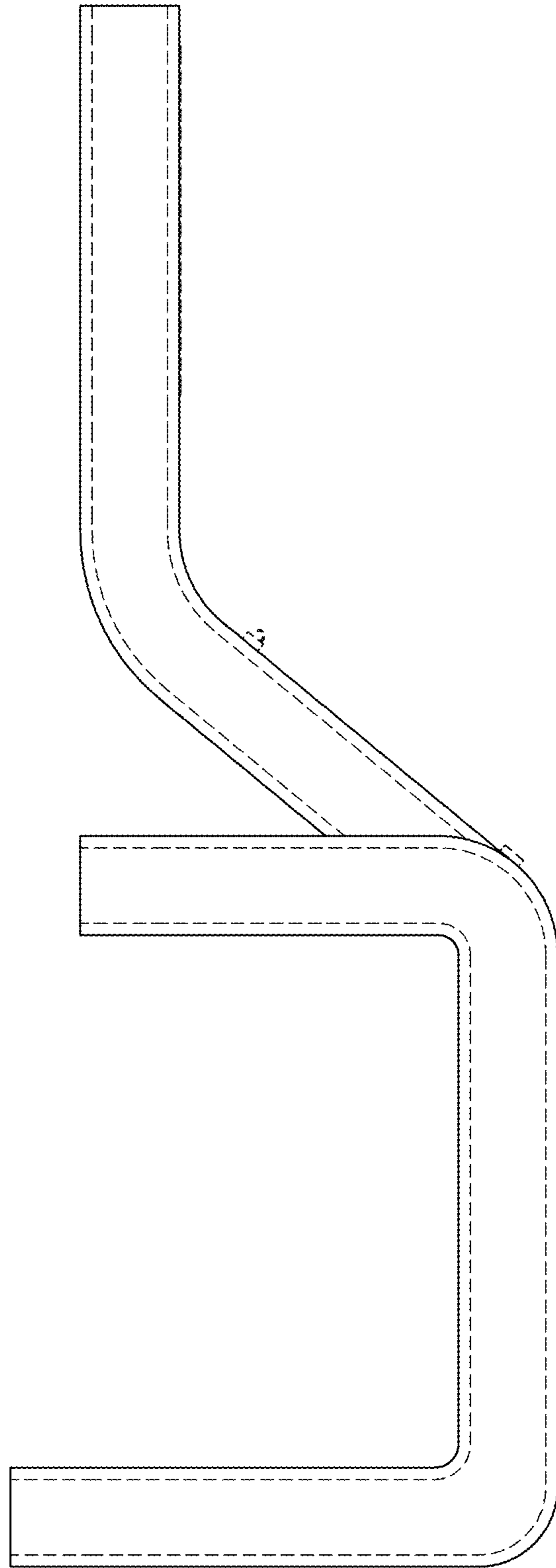


FIG. 4

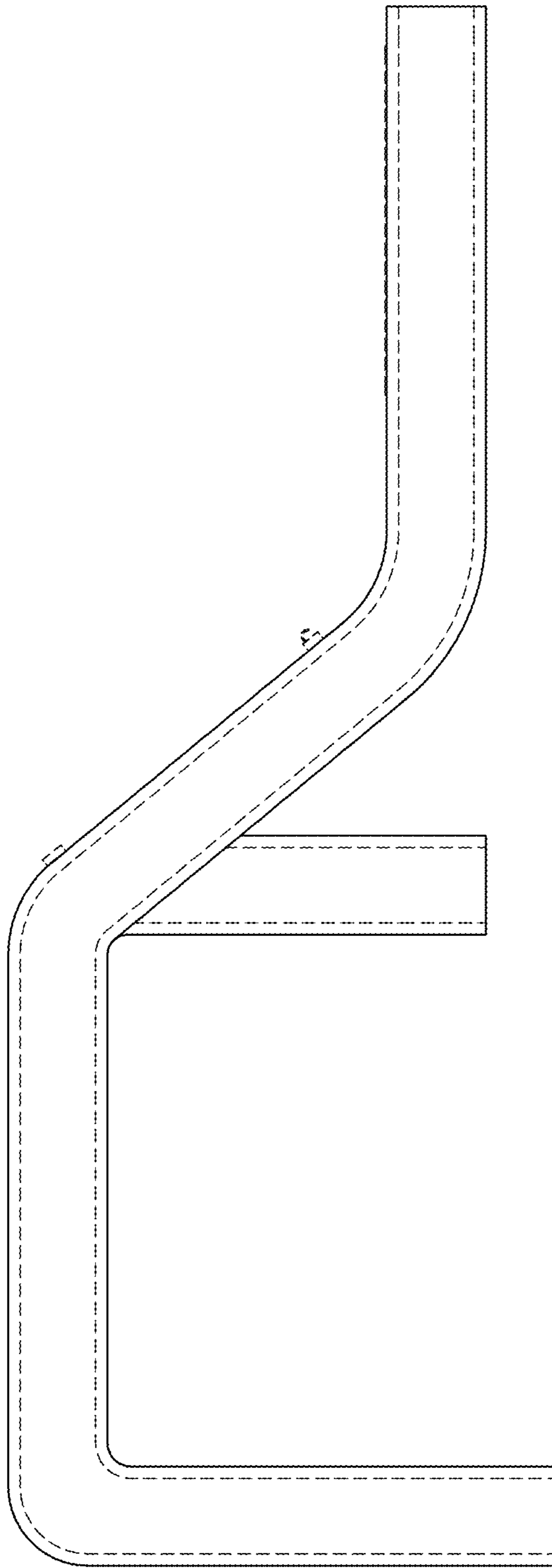


FIG. 5

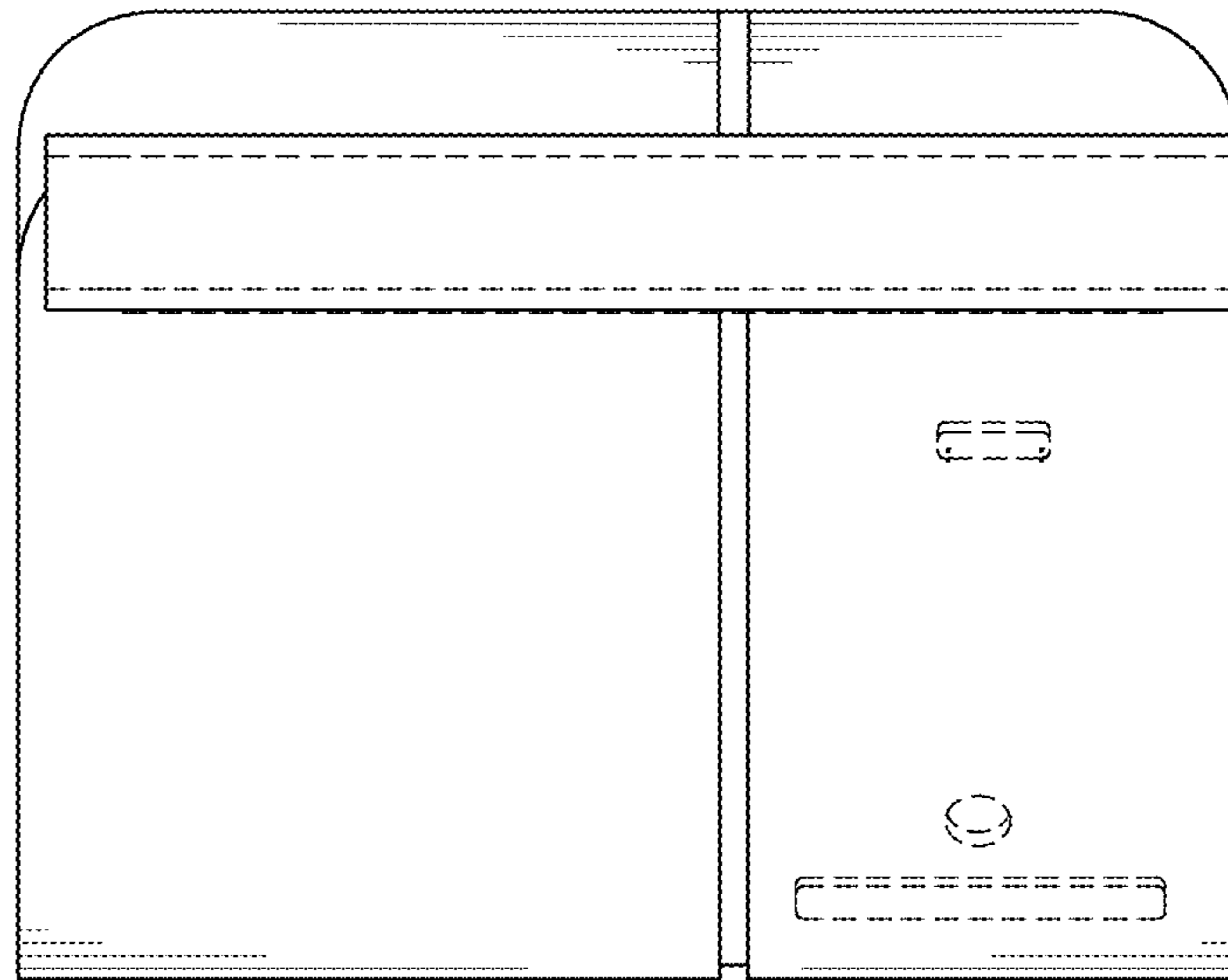


FIG. 6



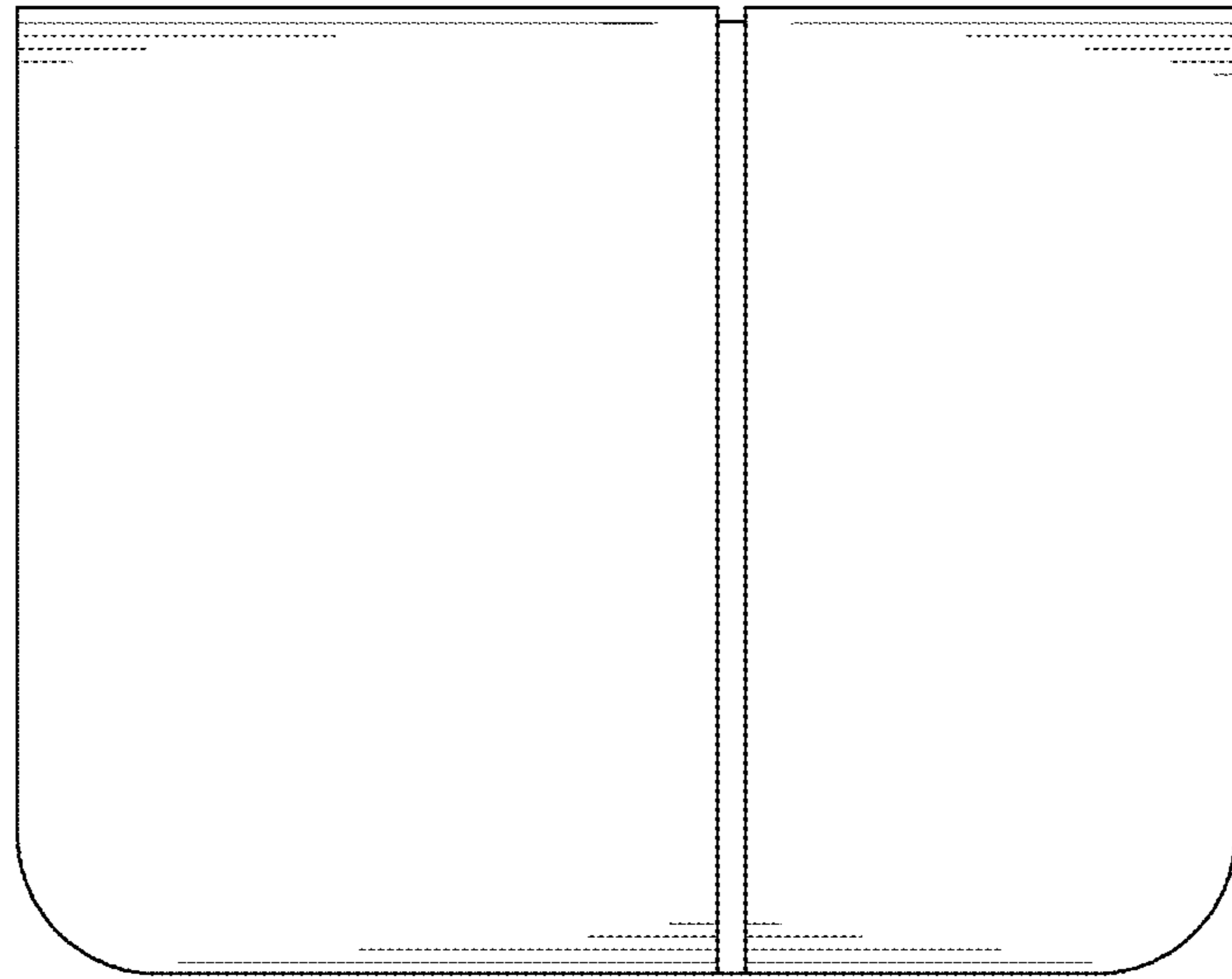


FIG. 7