



US00D782225S

(12) **United States Design Patent**  
**Duggin**

(10) **Patent No.:** **US D782,225 S**

(45) **Date of Patent:** **\*\* Mar. 28, 2017**

(54) **MEDIA RECEPTACLE**

(71) Applicant: **Jeffrey Lee Duggin**, Murfreesboro, TN  
(US)

(72) Inventor: **Jeffrey Lee Duggin**, Murfreesboro, TN  
(US)

(\*\*) Term: **14 Years**

(21) Appl. No.: **29/474,787**

(22) Filed: **Feb. 9, 2015**

(51) **LOC (10) Cl.** ..... **06-04**

(52) **U.S. Cl.**  
USPC ..... **D6/663**

(58) **Field of Classification Search**  
USPC ..... D6/643, 657, 661-664, 668-669, 668.1,  
D6/668.2, 671, 671.1, 677.3, 699, 703;  
D23/343, 404  
CPC ..... A47B 17/04; A47B 47/02; A47B 47/03;  
A47B 87/00; A47F 3/06; A47F 3/043;  
A47F 3/0434; F24B 1/18  
See application file for complete search history.

(56) **References Cited**

**U.S. PATENT DOCUMENTS**

D164,966 S \* 10/1951 Snyder ..... D6/657  
D311,831 S \* 11/1990 Nylén ..... D6/699  
D330,469 S \* 10/1992 Brodbeck ..... D6/643

D367,383 S \* 2/1996 Hatrick-Smith ..... D6/661  
D377,281 S \* 1/1997 McFarlane ..... D6/671.1  
D412,252 S \* 7/1999 Zaidman ..... D6/657  
D413,742 S \* 9/1999 Borsani ..... D6/664  
D431,646 S \* 10/2000 Mattarelli ..... D23/404  
D440,429 S \* 4/2001 Wales ..... D6/671  
D651,021 S \* 12/2011 Etchells ..... D6/669  
D671,627 S \* 11/2012 Gallo ..... D23/343  
D701,403 S \* 3/2014 Thompson ..... D6/671  
2010/0307477 A1\* 12/2010 Gallo ..... F24B 1/18  
126/500

\* cited by examiner

*Primary Examiner* — Ricky Pham

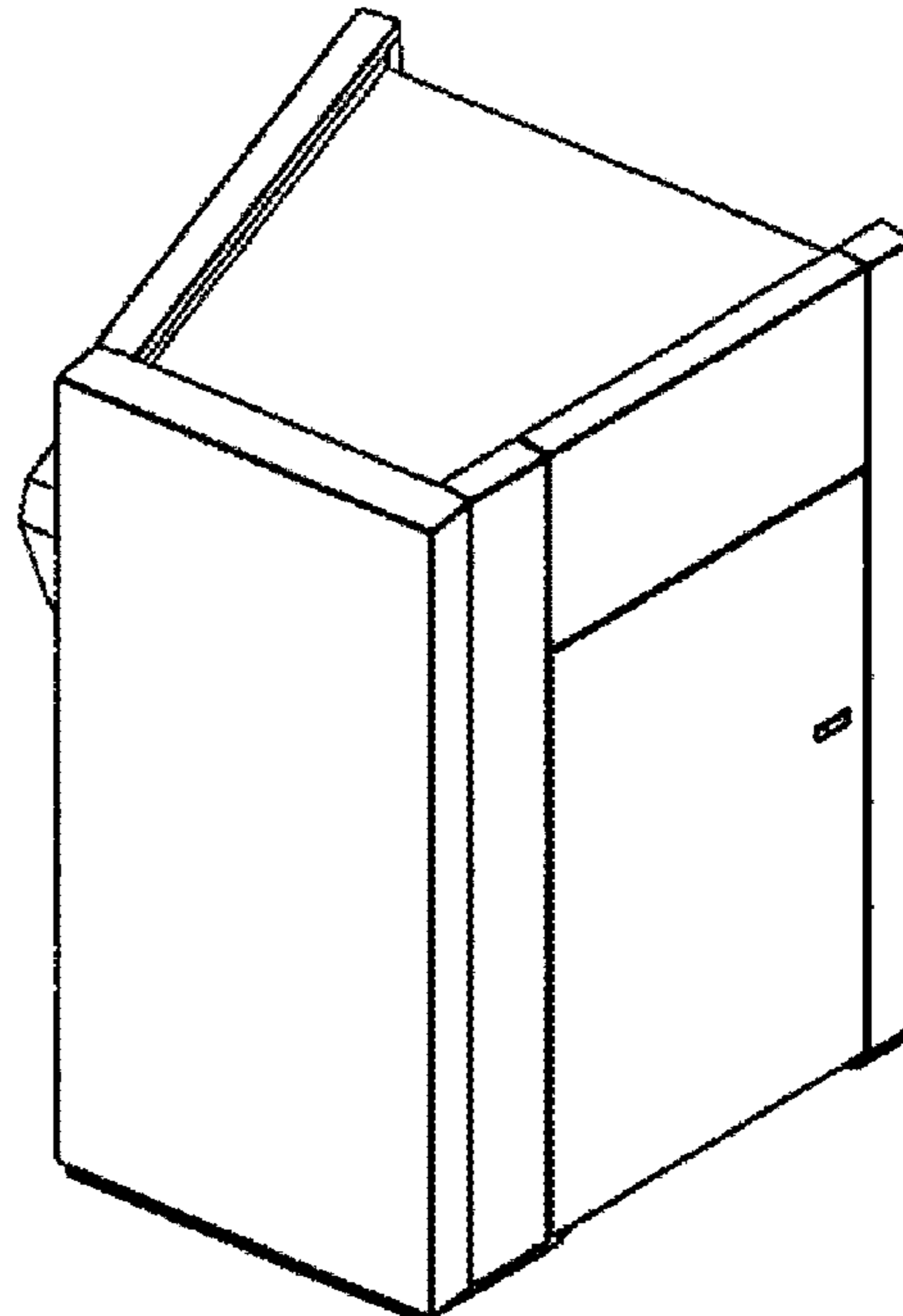
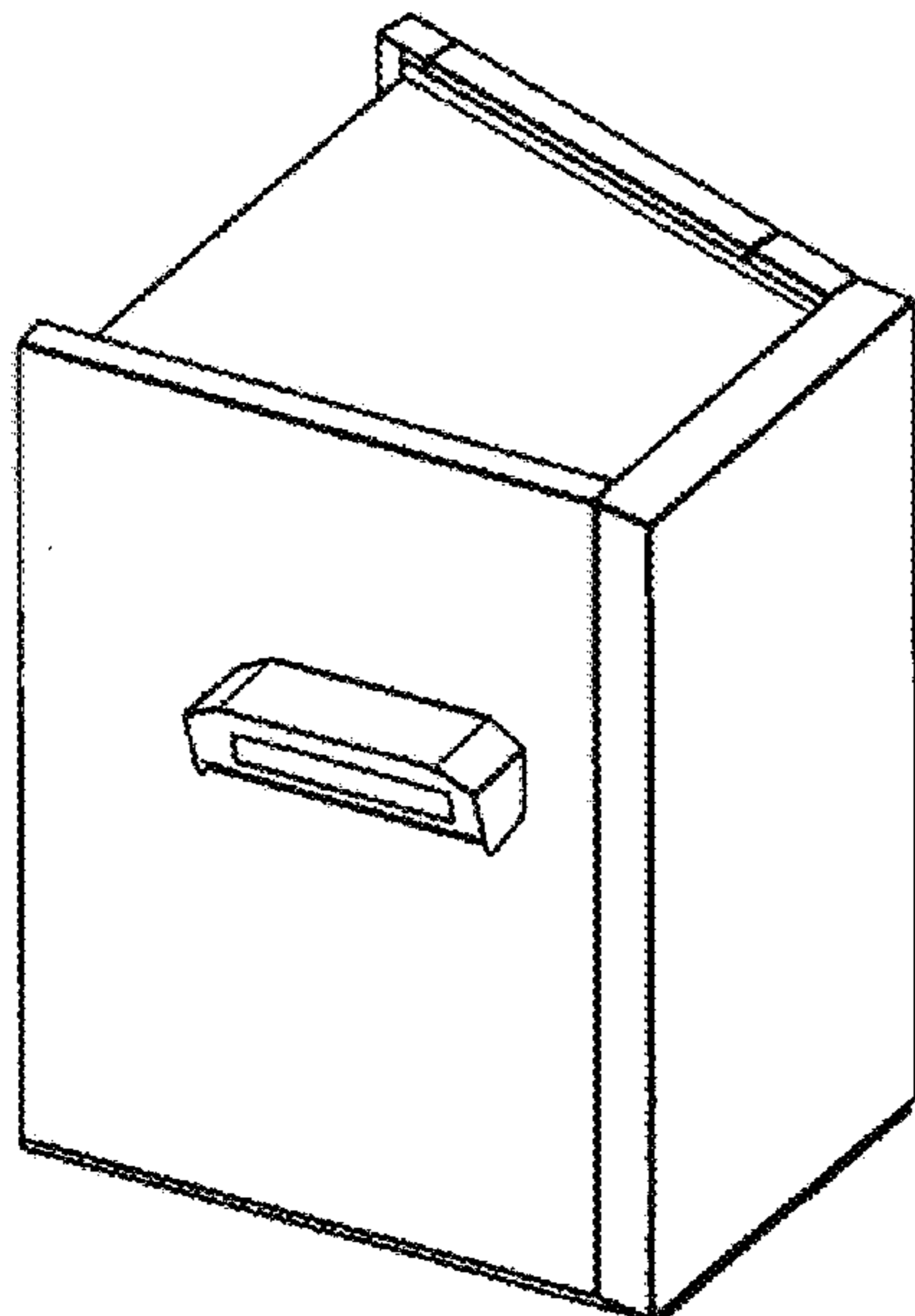
(57) **CLAIM**

The ornamental design for a media receptacle, as shown and described.

**DESCRIPTION**

FIG. 1 is a top plan view of a media receptacle showing my new design;  
FIG. 2 is a front right perspective view thereof;  
FIG. 3 is a rear elevation view thereof;  
FIG. 4 is a left elevation view thereof;  
FIG. 5 is a front elevation view thereof;  
FIG. 6 is a front left perspective view thereof;  
FIG. 7 is a rear right perspective view thereof; and,  
FIG. 8 is a rear left perspective view thereof.  
The characteristic feature of my design resides in the finished appearance being that of a book.

**1 Claim, 2 Drawing Sheets**



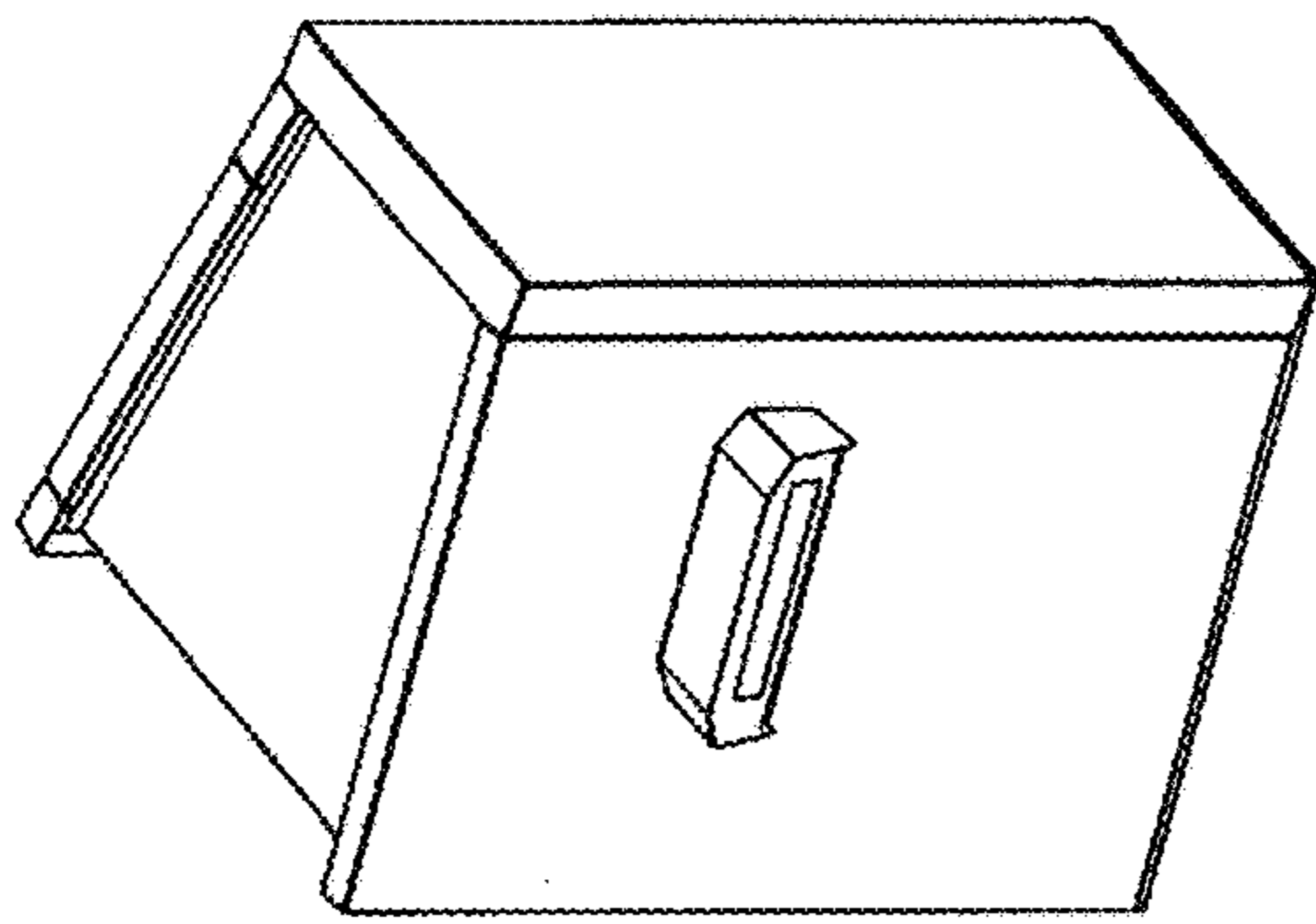


Fig. 2

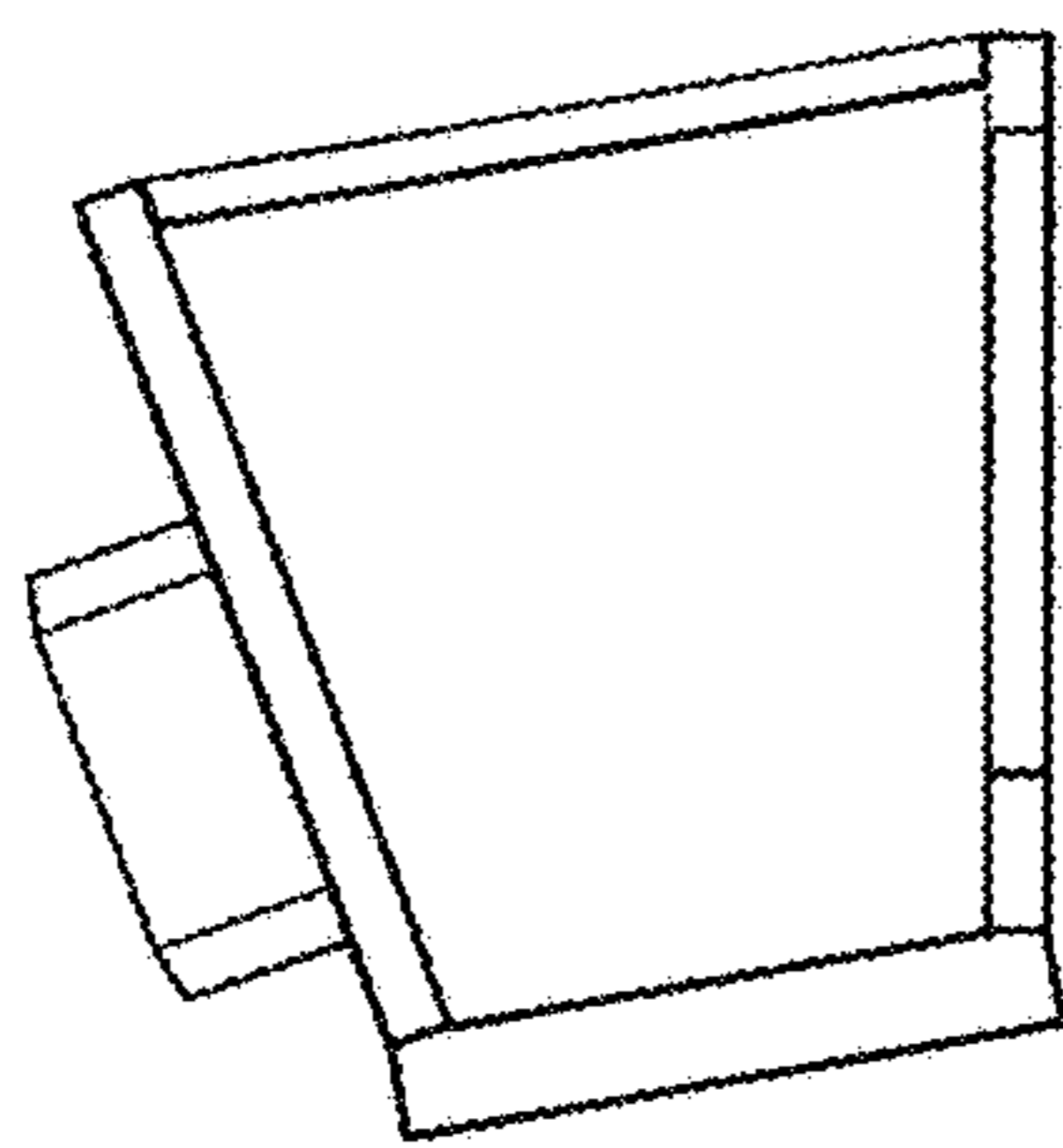


Fig. 1

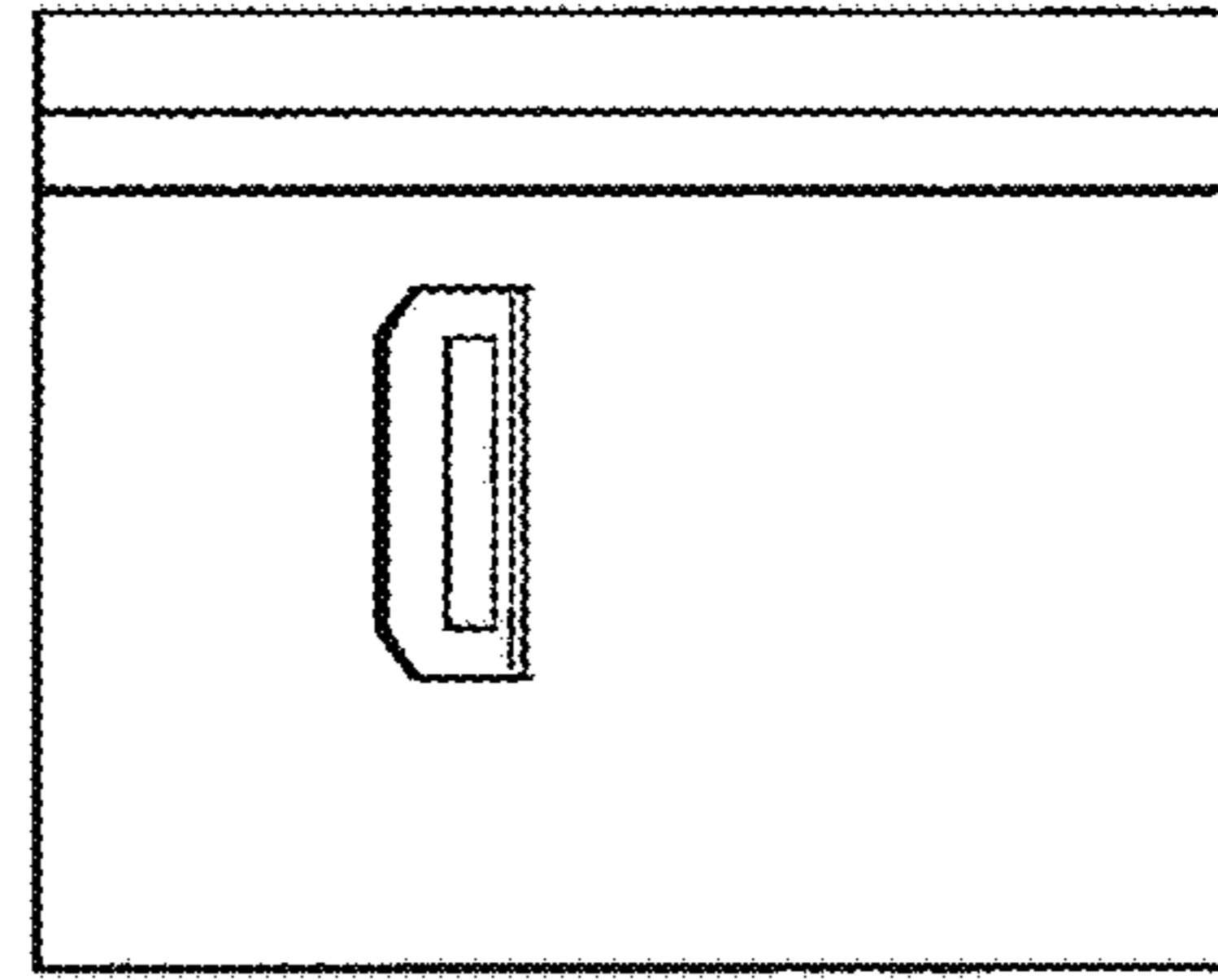


Fig. 5

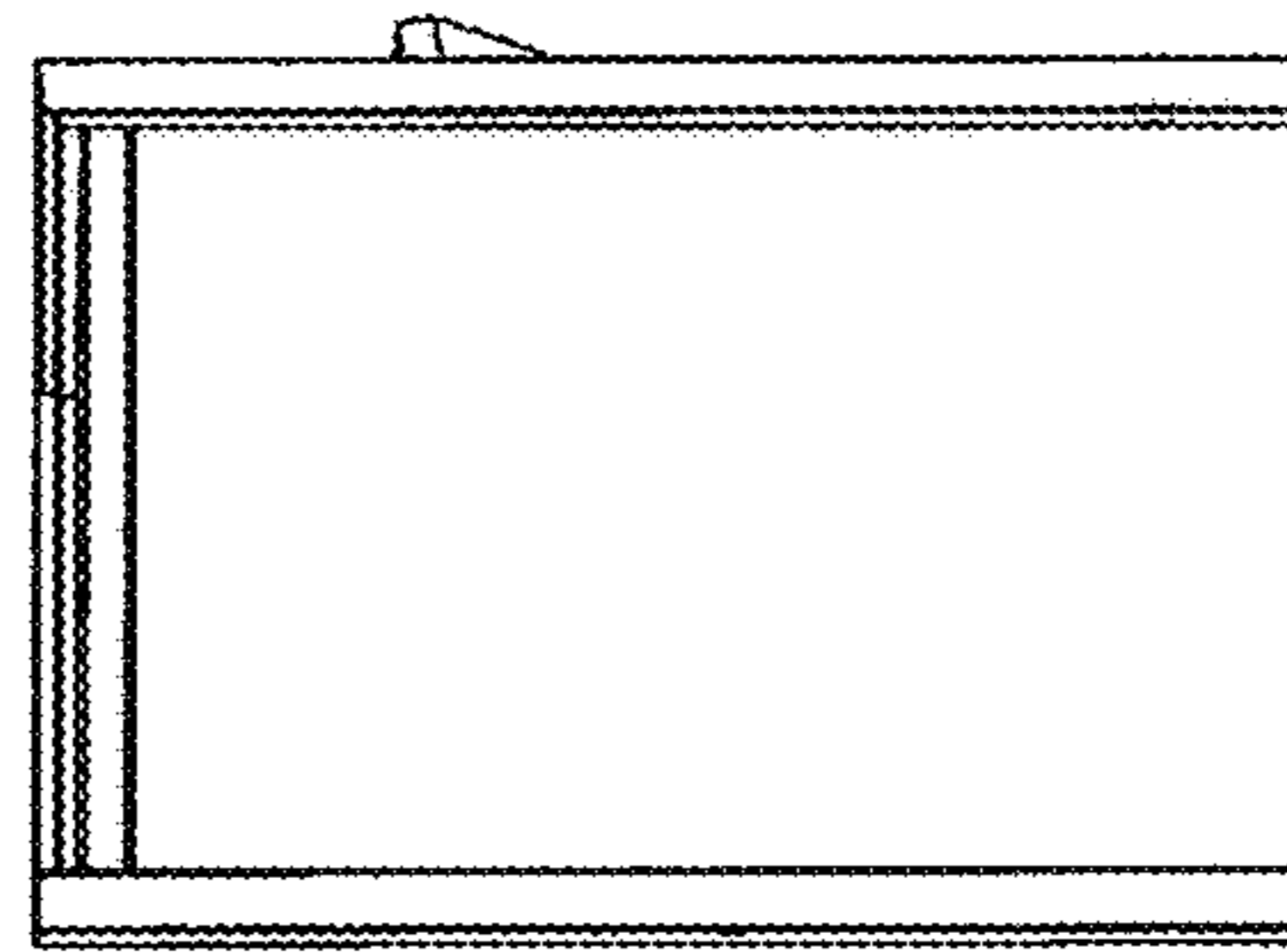


Fig. 4

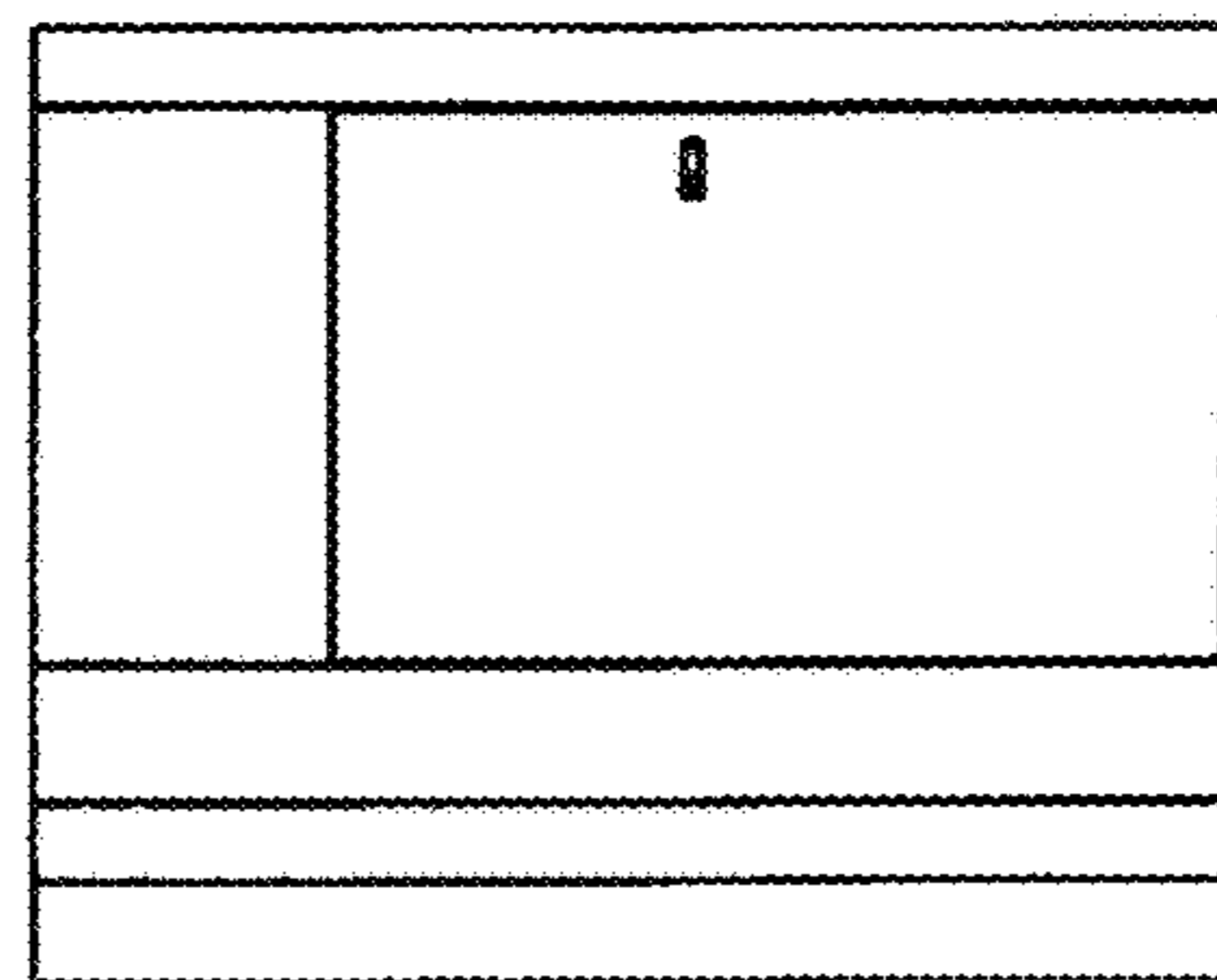


Fig. 3

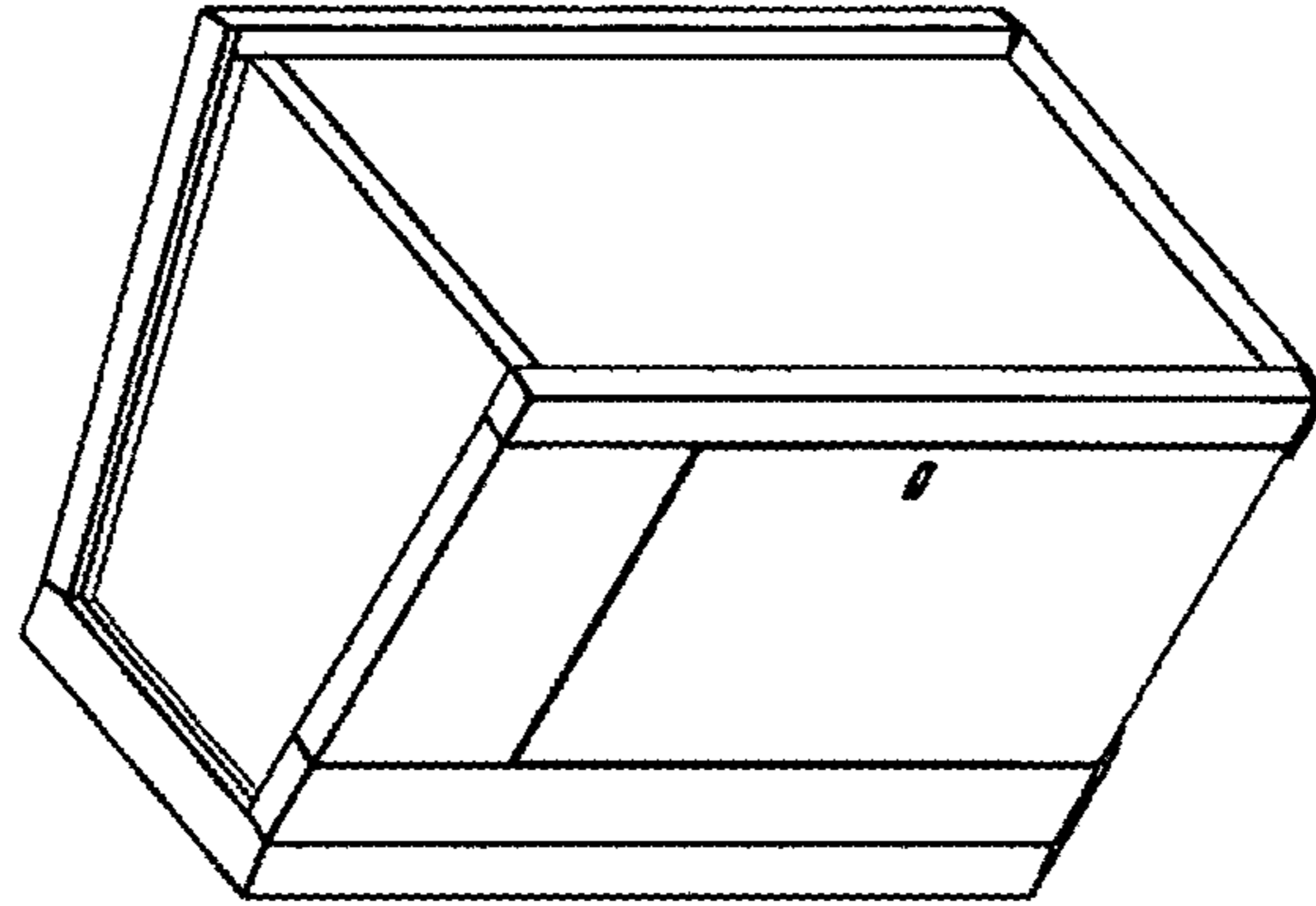


Fig. 8

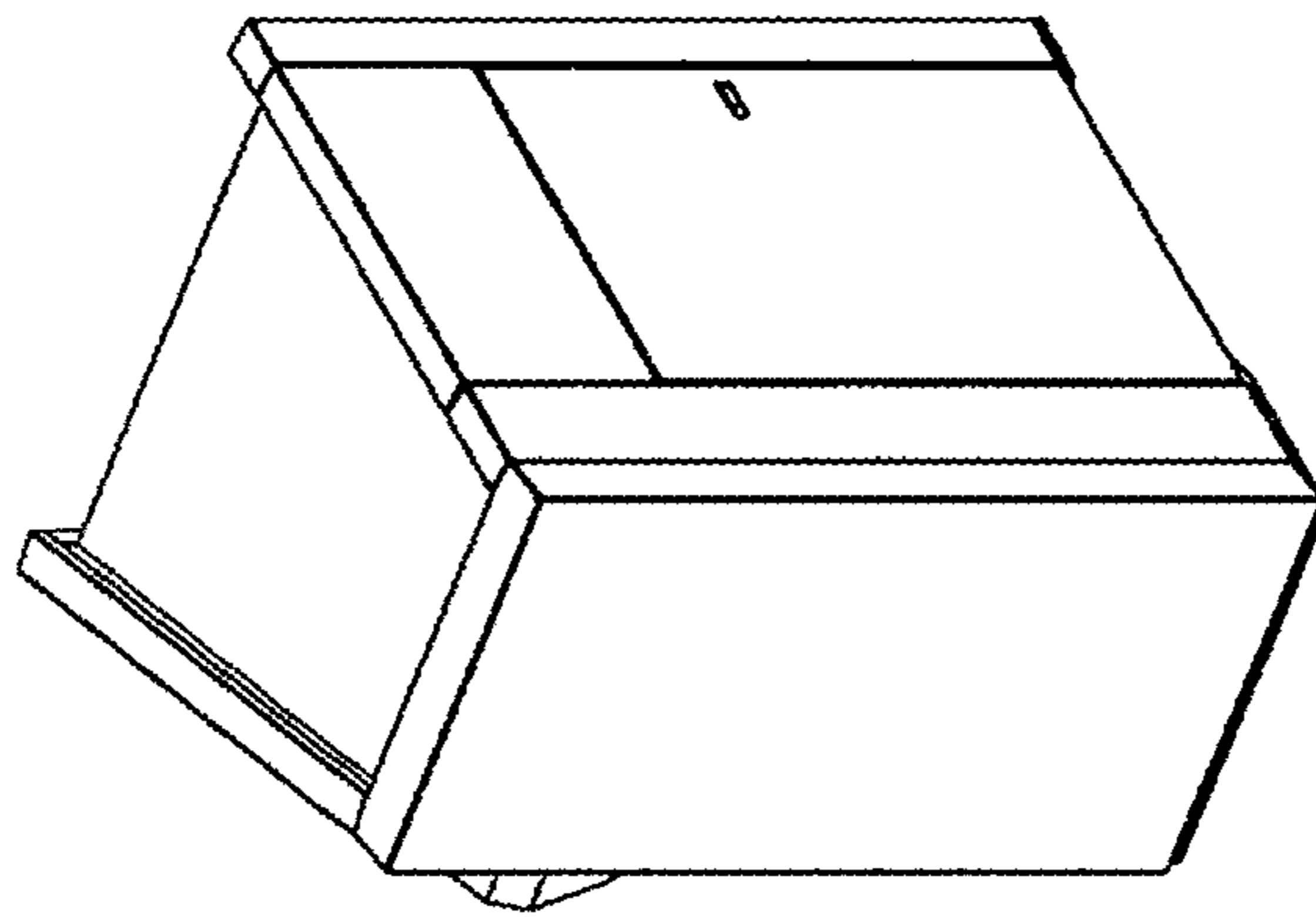


Fig. 7

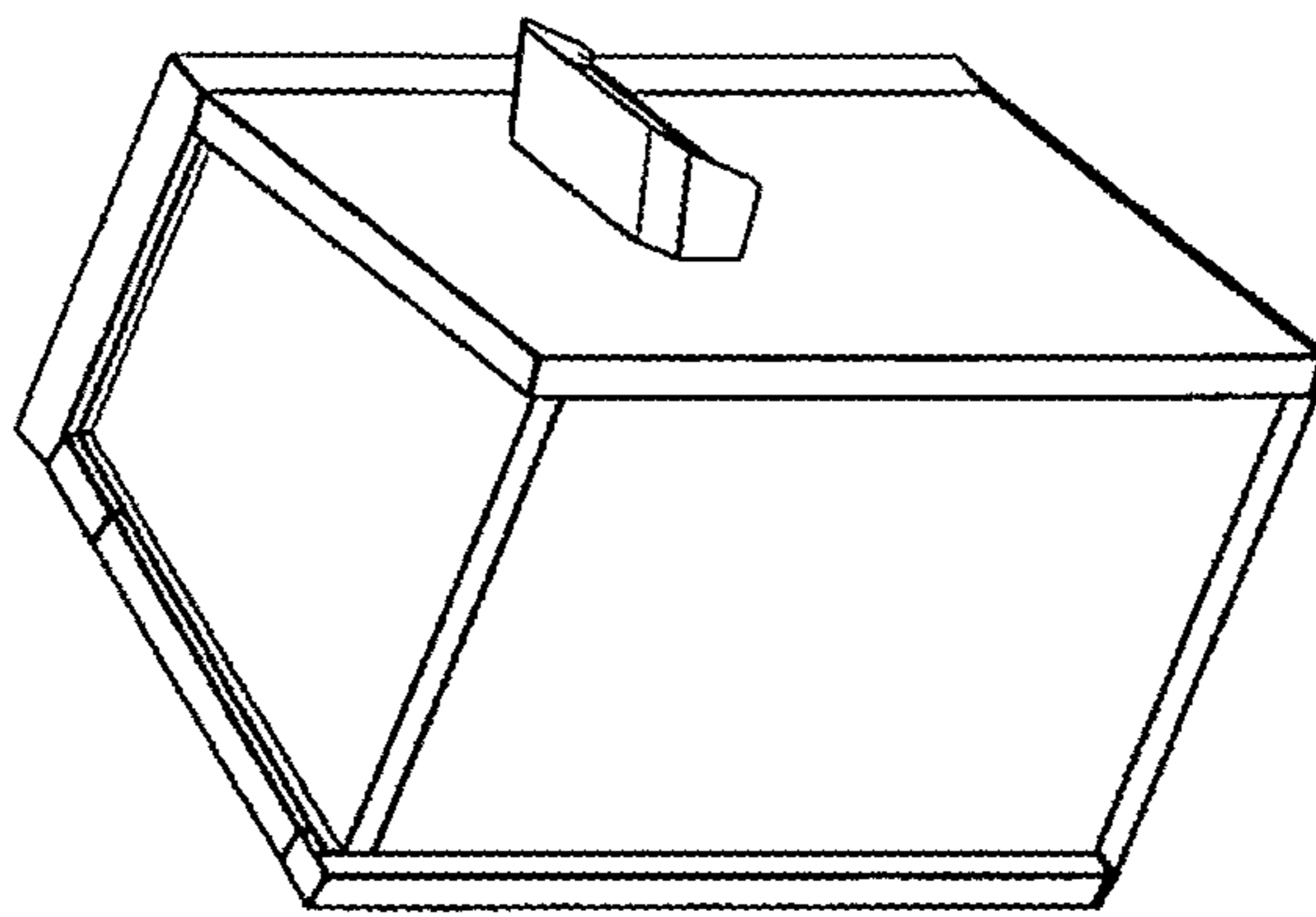


Fig. 6