



US00D782223S

(12) **United States Design Patent**
Oleynik

(10) **Patent No.:** **US D782,223 S**
(45) **Date of Patent:** **** Mar. 28, 2017**

- (54) **FOOD PREPARATION ENVIRONMENT**
- (71) Applicant: **MOLEY ROBOTICS HOLDINGS LTD, Jersey (JE)**
- (72) Inventor: **Mark Oleynik, Monaco (MC)**
- (73) Assignee: **MOLEY ROBOTICS HOLDINGS LTD, St Helier (JE)**
- (**) Term: **14 Years**
- (21) Appl. No.: **29/516,968**
- (22) Filed: **Feb. 9, 2015**
- (51) **LOC (10) Cl.** **06-04**
- (52) **U.S. Cl.**
USPC **D6/661.3**
- (58) **Field of Classification Search**
USPC ... D6/653.1, 657, 660–664, 662–662.1, 671, D6/671.1, 672–677, 699.1, 370, 570, 630, D6/659, 660–661.3, 675.2–675.4, D6/678.1–682.2, 703.1; D7/305, 340; D12/345; D18/39; D21/524; D23/271–272; D24/217, 234
CPC A47B 17/03; A47B 17/04; A47B 57/16; A47F 3/00; A47F 3/005; A47F 3/06; A47F 2/00; A47F 7/00; A47F 7/021; A47F 7/283; A47F 9/00; B64D 11/04; F16B 12/00; E04B 2002/7483; E04B 2002/7488
See application file for complete search history.

- 3,926,486 A * 12/1975 Sasnett F16B 12/00 312/198
- D263,733 S * 4/1982 Van Schayik D23/272
- D288,267 S * 2/1987 Meyer D23/271
- D296,850 S * 7/1988 Pamio D23/272
- D331,100 S * 11/1992 Jacobsen D23/271
- D357,062 S * 4/1995 Schreiner D23/272

(Continued)

Primary Examiner — Ricky Pham
(74) *Attorney, Agent, or Firm* — Dentons US LLP

(57) **CLAIM**

The ornamental design for a food preparation environment, as shown and described.

DESCRIPTION

FIG. 1 is a front perspective view of a food preparation environment illustrating a first embodiment of the new design;

FIG. 2 is a rear perspective view of a food preparation environment illustrating the first embodiment of the new design;

FIG. 3 is front elevational view of a food preparation environment illustrating the first embodiment of the new design;

FIG. 4 is a rear elevational view of a food preparation environment illustrating the first embodiment of the new design;

FIG. 5 is top view of a food preparation environment illustrating the first embodiment of the new design;

FIG. 6 is a bottom view of a food preparation environment illustrating the first embodiment of the new design; and,

FIG. 7 is right-side elevational view of a food preparation environment illustrating the first embodiment of the new design, with the left-side elevational view being a mirror image.

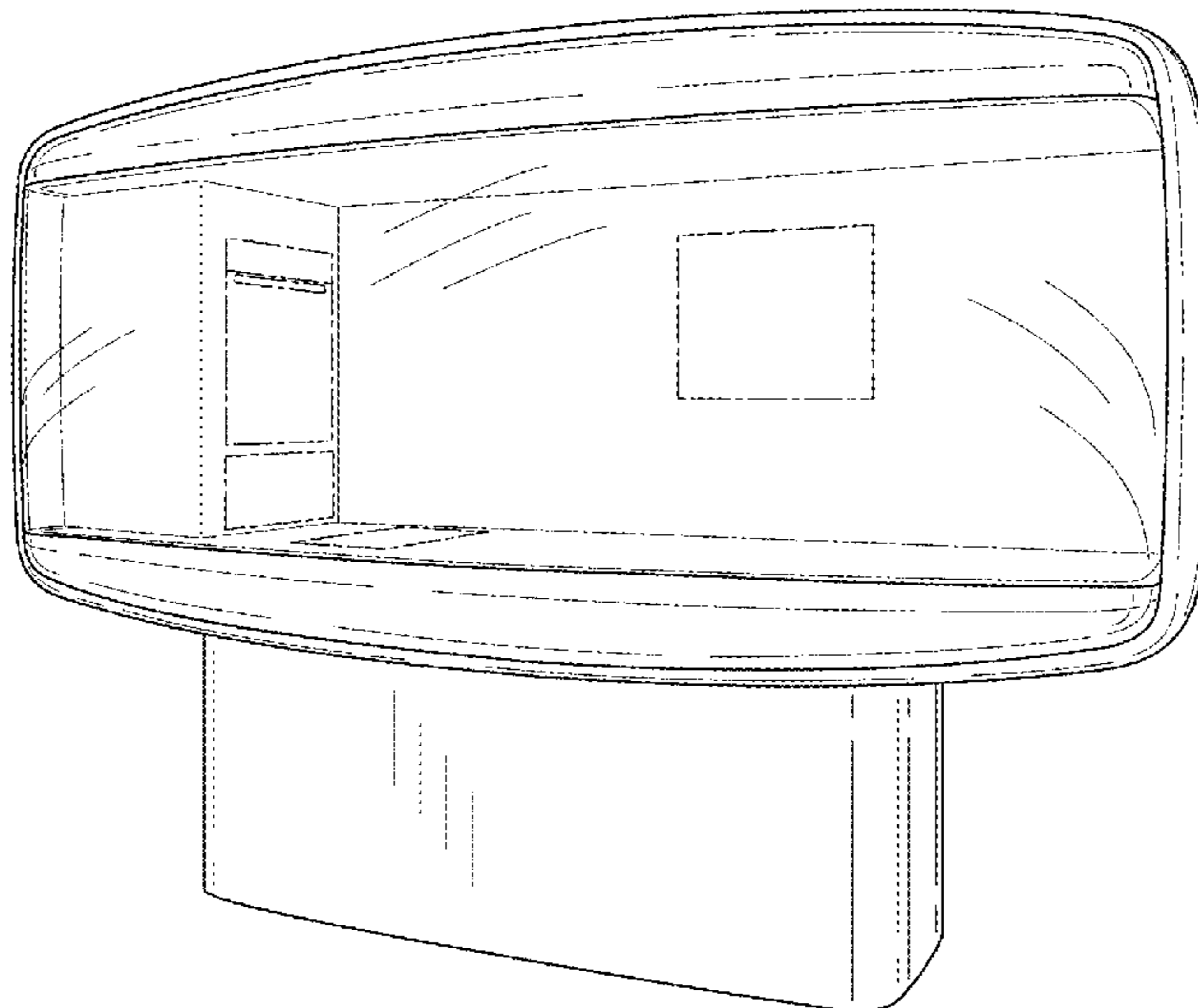
The broken lines shown in the drawings are for illustrative purposes only and form no part of the claimed design.

1 Claim, 7 Drawing Sheets

(56) **References Cited**

U.S. PATENT DOCUMENTS

- D123,572 S * 11/1940 Little 126/37 A
- D173,921 S * 1/1955 Weise D23/271
- D206,905 S * 2/1967 Noyes et al. D6/677
- D228,261 S * 8/1973 Bull D7/340



(56)

References Cited

U.S. PATENT DOCUMENTS

D358,413 S * 5/1995 Momose D18/36
D490,124 S * 5/2004 Hradisky D21/524
6,761,332 B1 * 7/2004 Bengtsson B64D 11/04
244/117 R
D556,493 S * 12/2007 Isett D7/300
D567,535 S * 4/2008 Hentschker D6/675
D571,477 S * 6/2008 Terrill D24/217
D579,229 S * 10/2008 De La Serve D6/662
D591,974 S * 5/2009 Singler D6/663
D591,979 S * 5/2009 Singler D6/672
D613,344 S * 4/2010 Hradisky D21/524
D628,278 S * 11/2010 Archiutti D23/271
D647,024 S * 10/2011 Tan D12/345
D649,926 S * 12/2011 Tan D12/345
D681,785 S * 5/2013 Siekmann D23/271
D706,948 S * 6/2014 Ahearn D24/234
D743,719 S * 11/2015 Barho D6/661

* cited by examiner

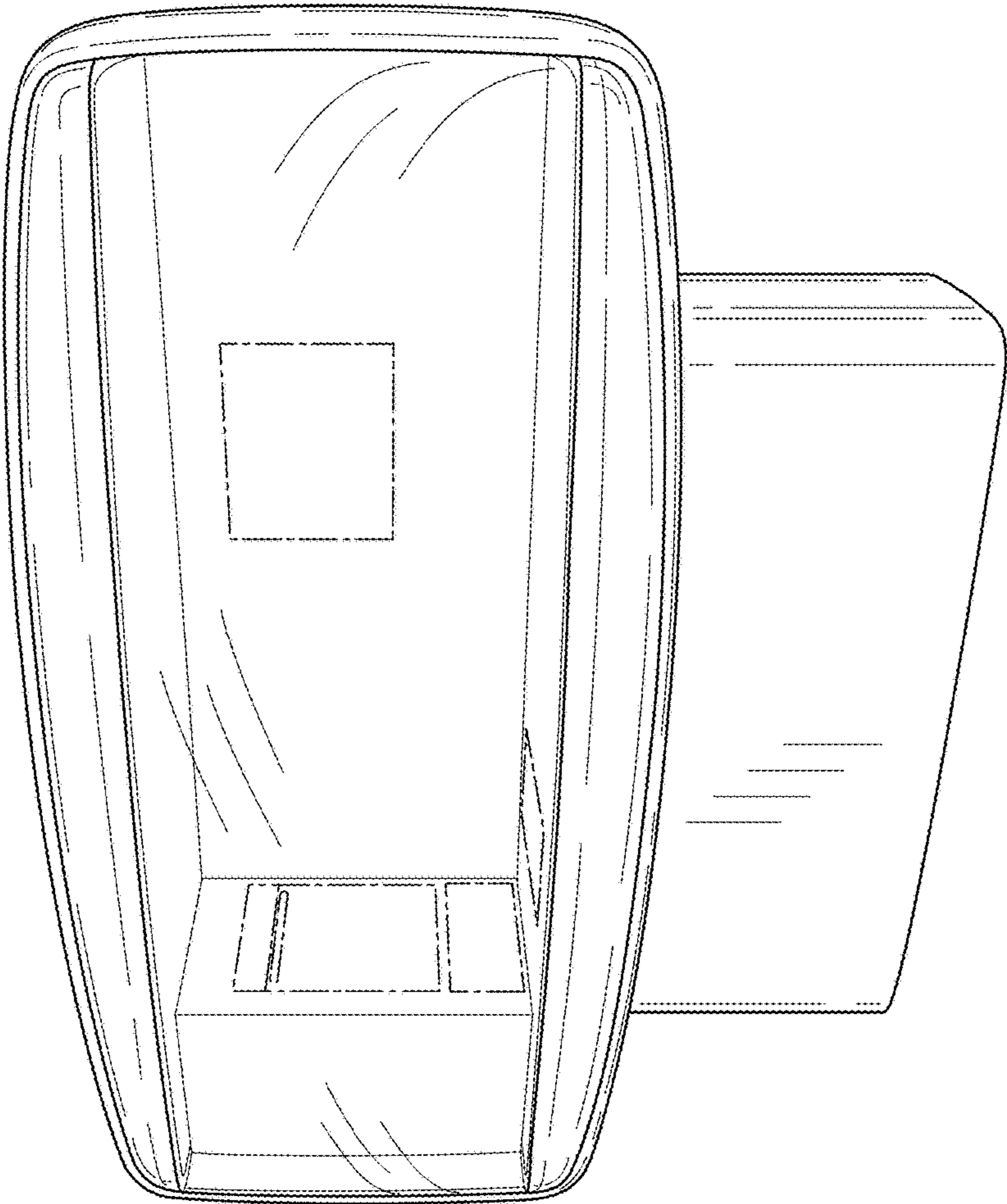


FIG. 1

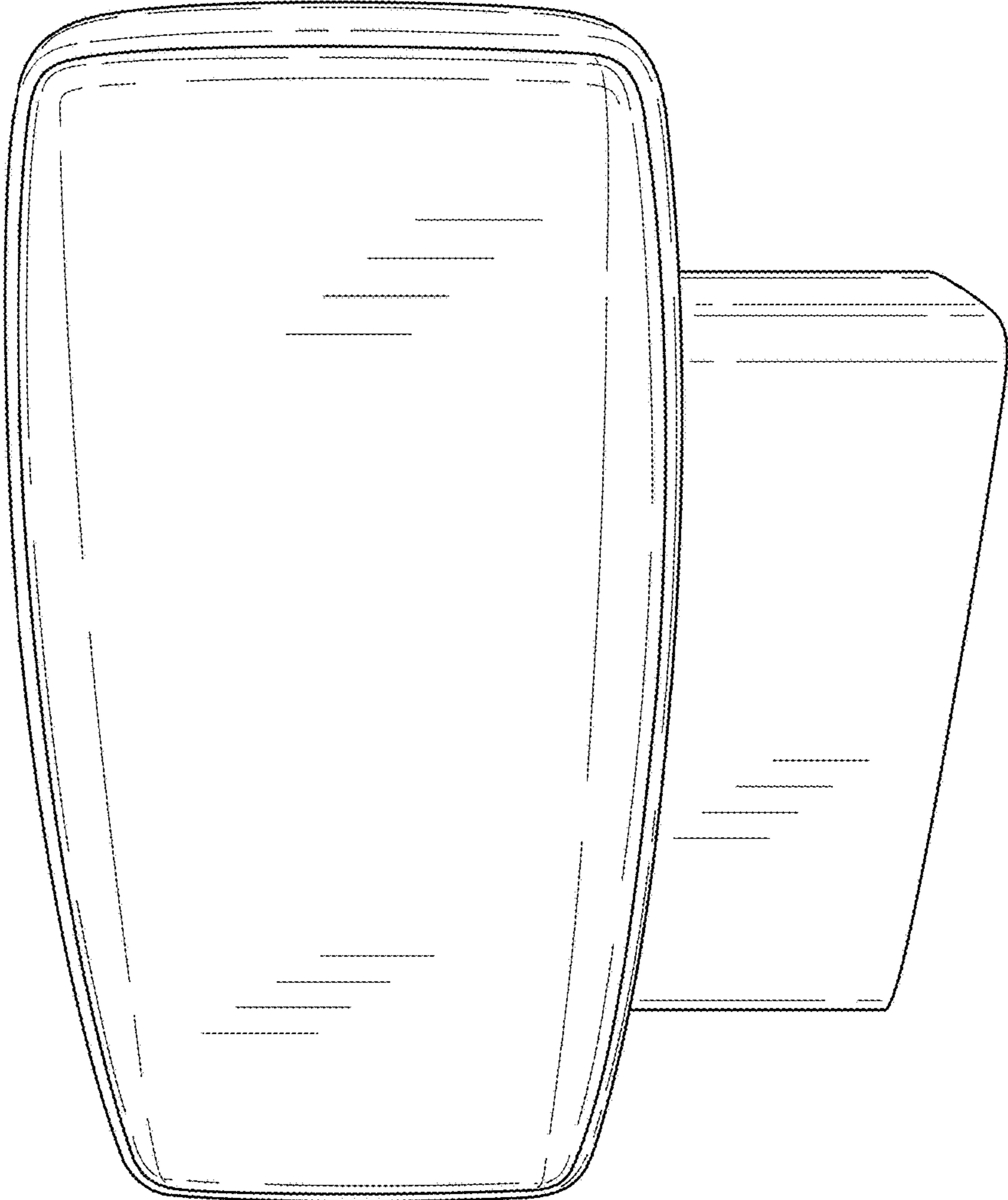


FIG. 2

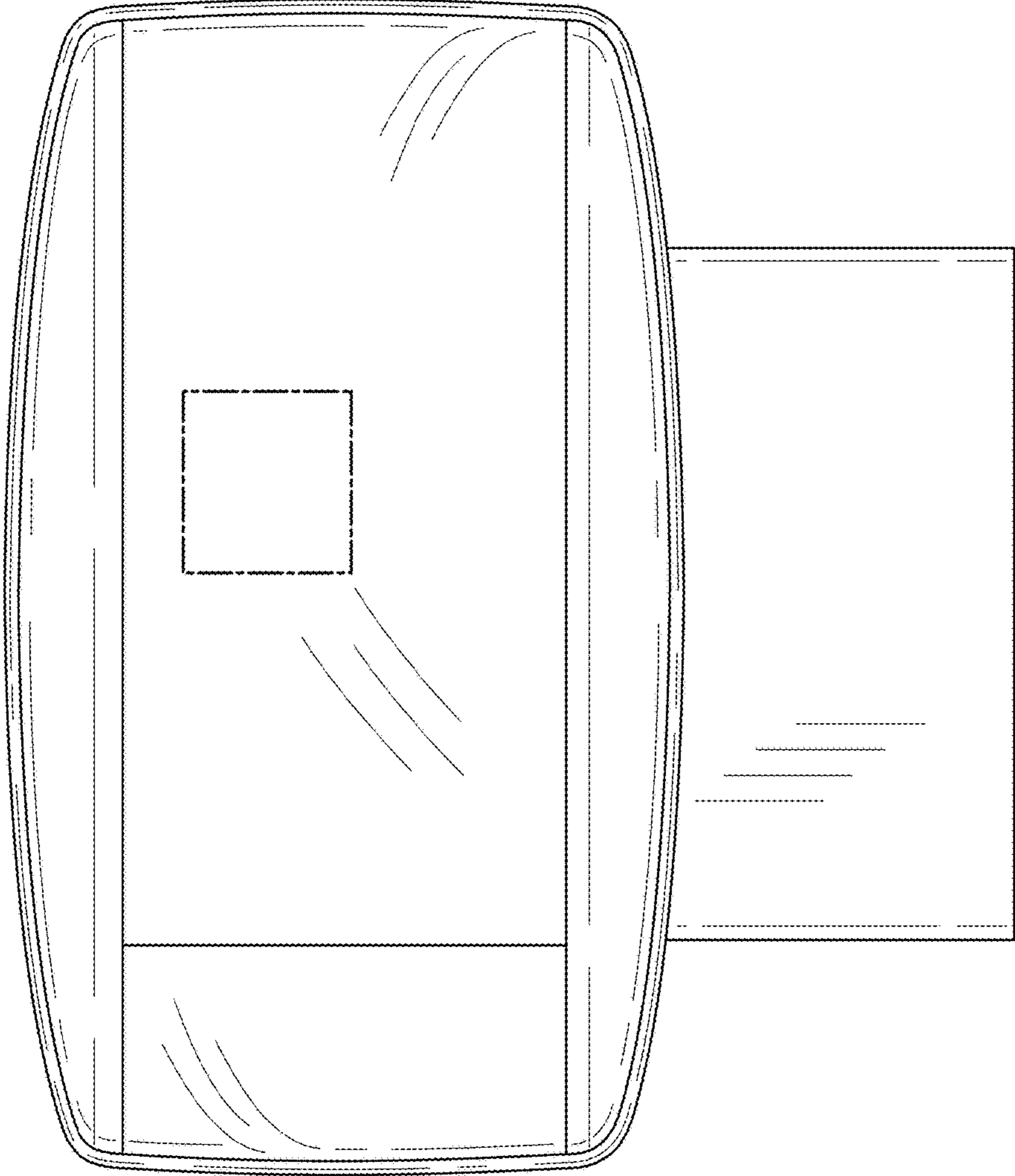


FIG. 3

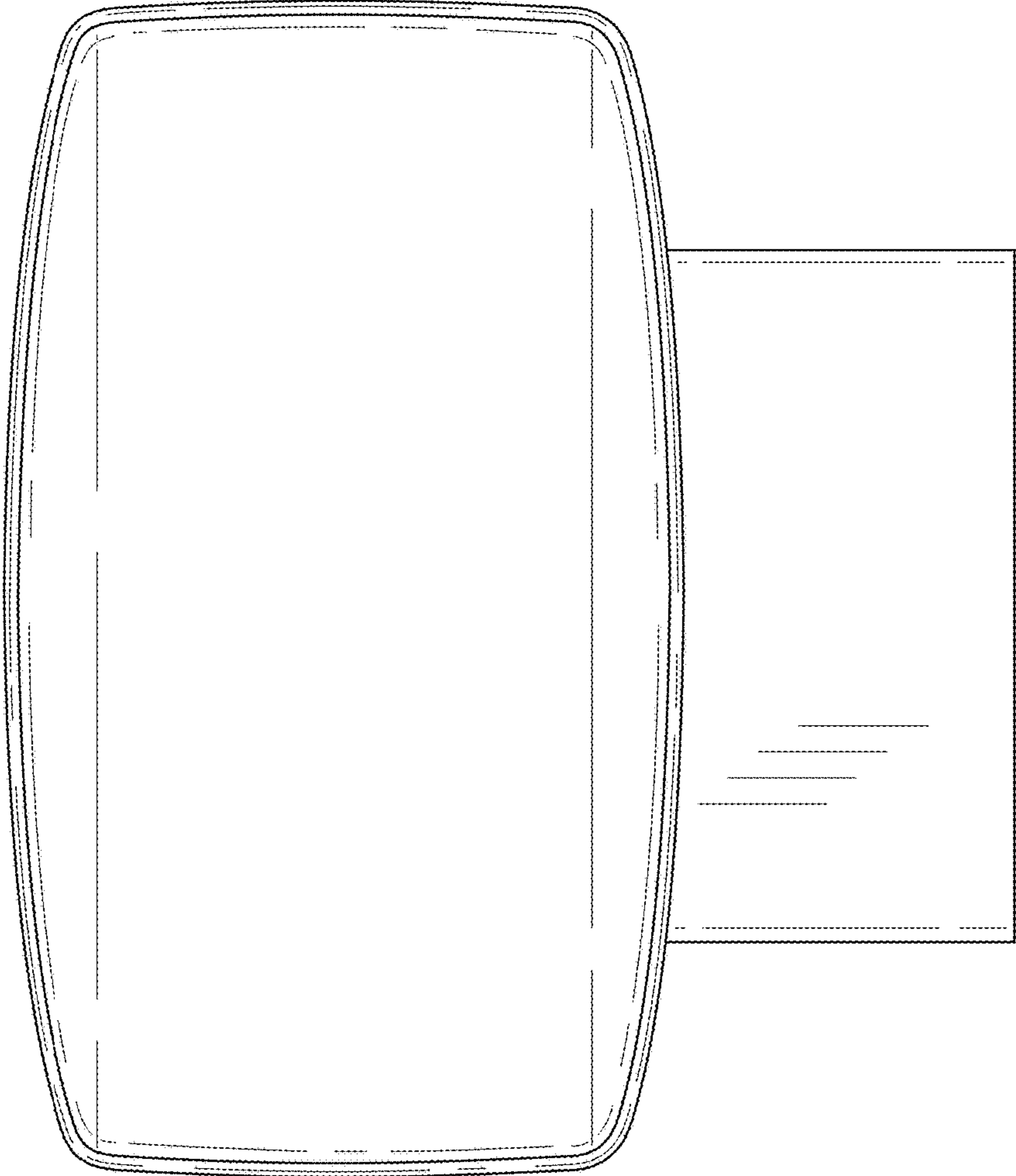


FIG. 4

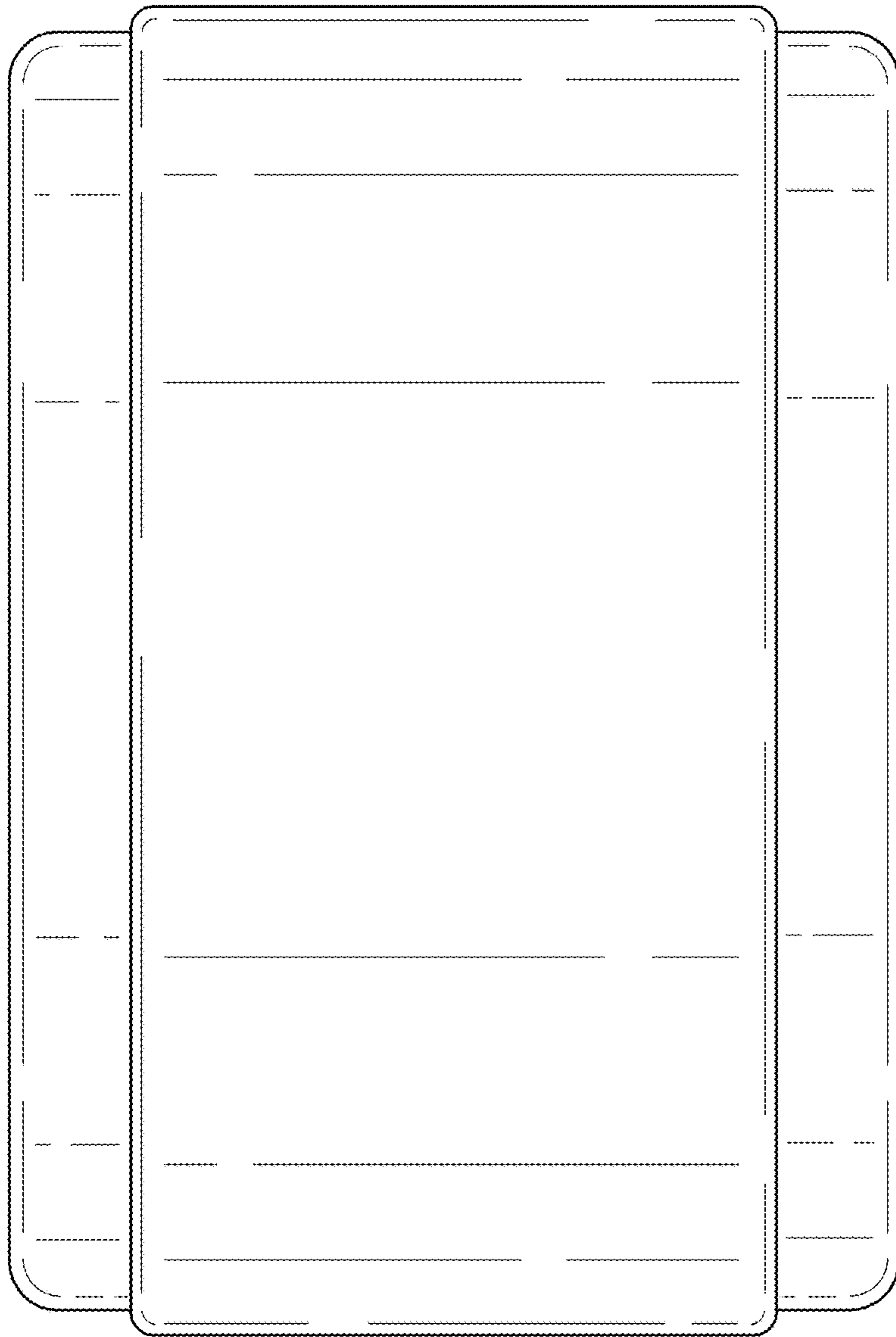


FIG. 5

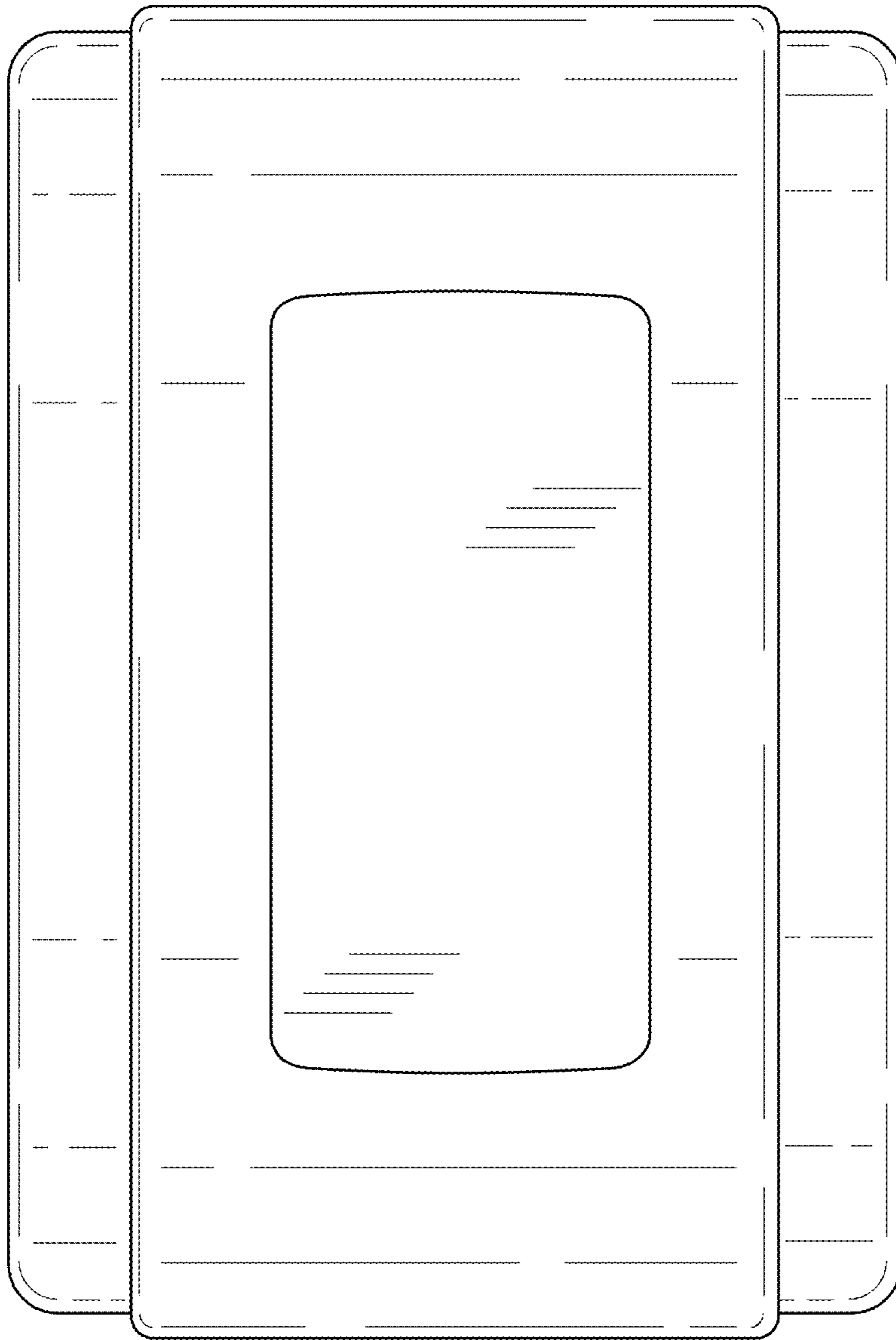


FIG. 6

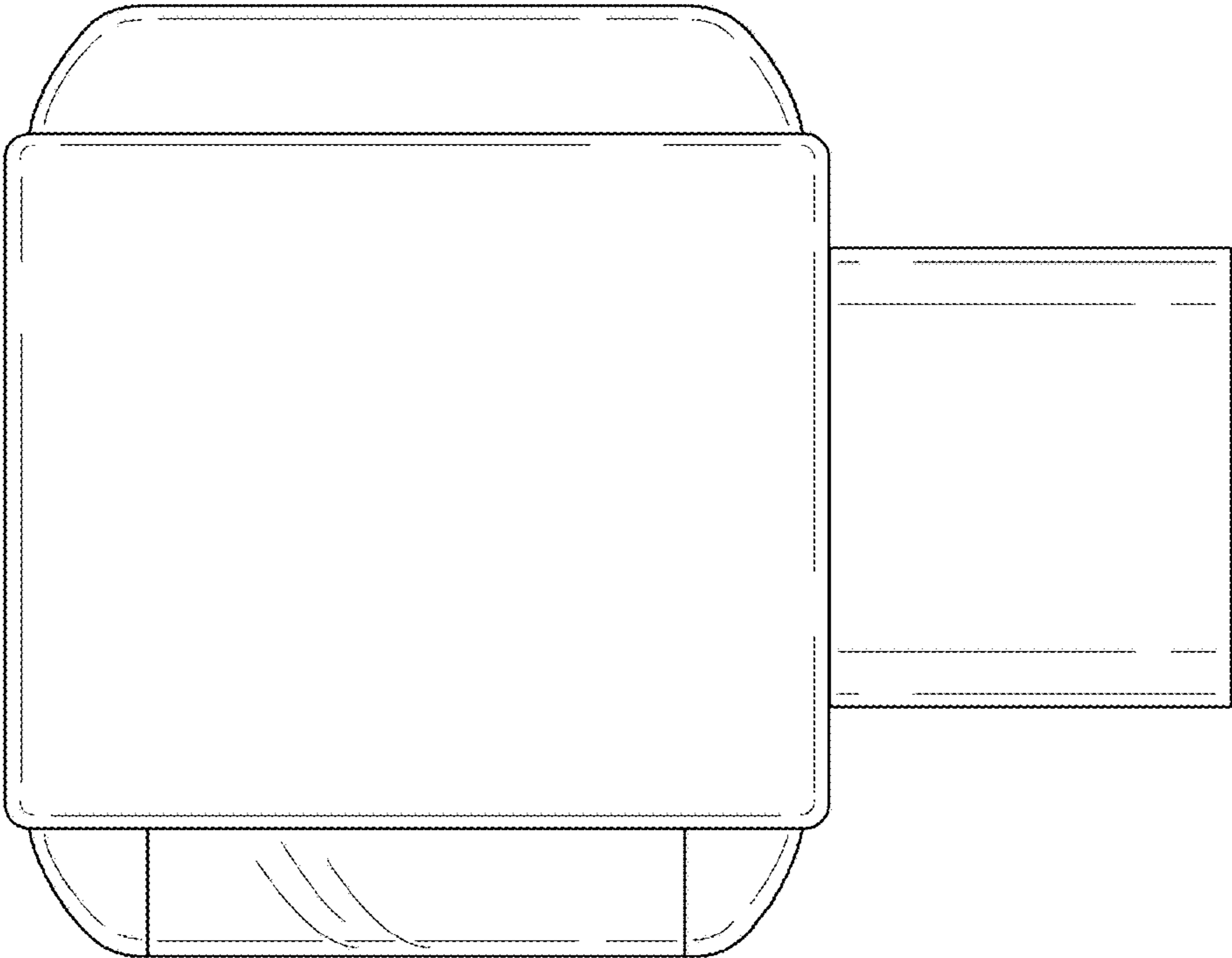


FIG. 7