



US00D782222S

(12) **United States Design Patent**
Oleynik

(10) **Patent No.:** **US D782,222 S**
(45) **Date of Patent:** **** Mar. 28, 2017**

(54) **FOOD PREPARATION ENVIRONMENT**

(71) Applicant: **Mark Oleynik**, Monaco (MC)

(72) Inventor: **Mark Oleynik**, Monaco (MC)

(73) Assignee: **MOLEY ROBOTICS HOLDINGS LTD**, St Helier (JE)

(**) Term: **14 Years**

(21) Appl. No.: **29/516,967**

(22) Filed: **Feb. 9, 2015**

(51) **LOC (10) Cl.** **06-04**

(52) **U.S. Cl.**
USPC **D6/661.3**

(58) **Field of Classification Search**
USPC ... D6/653.1, 657, 660-664, 662-662.1, 671,
D6/671.1, 672-677, 699.1, 370, 570, 630,
(Continued)

(56) **References Cited**

U.S. PATENT DOCUMENTS

D123,572 S * 11/1940 Little 126/37 A
D173,921 S * 1/1955 Weise D23/271
(Continued)

Primary Examiner — Ricky Pham

(74) *Attorney, Agent, or Firm* — Dentons US LLP

(57) **CLAIM**

The ornamental design for a food preparation environment, as shown and described.

DESCRIPTION

FIG. 1 is a front perspective view of a food preparation environment illustrating a first embodiment of the new design;

FIG. 2 is another front perspective view of a food preparation environment illustrating the first embodiment of the new design;

FIG. 3 is a rear perspective view of a food preparation environment illustrating the new design;

FIG. 4 is a front elevational view of a food preparation environment illustrating the first embodiment of the new design;

FIG. 5 is a rear elevational view of a food preparation environment illustrating the first embodiment of the new design;

FIG. 6 is top view of a food preparation environment illustrating the first embodiment of the new design;

FIG. 7 is a bottom view of a food preparation environment illustrating the first embodiment of the new design;

FIG. 8 is left-side elevational view of a food preparation environment illustrating the first embodiment of the new design;

FIG. 9 is a right-side elevational view of a food preparation environment illustrating the first embodiment of the new design;

FIG. 10 is a front perspective view of a food preparation environment illustrating a second embodiment of the new design;

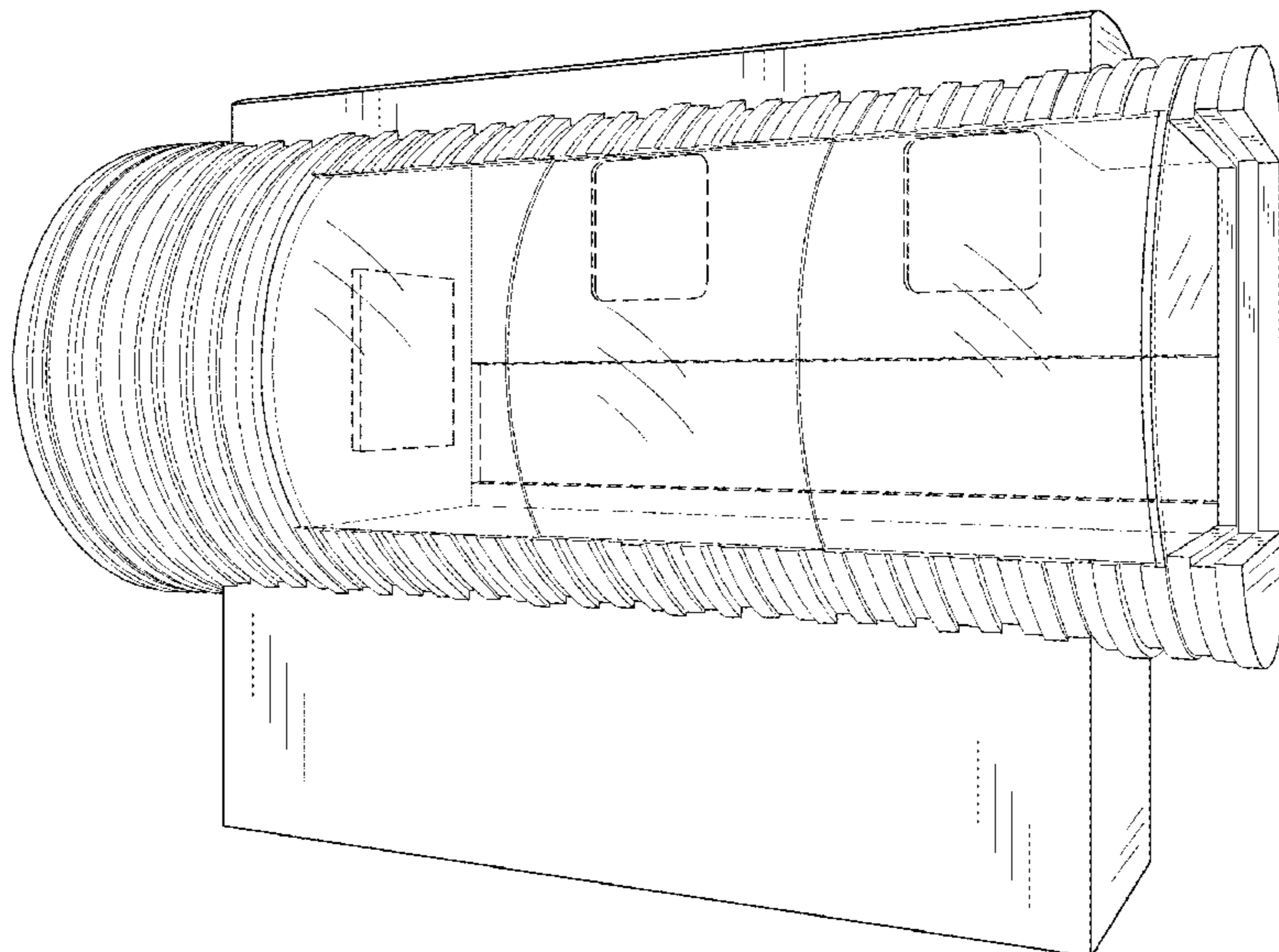
FIG. 11 is another front perspective view of a food preparation environment illustrating the second embodiment of the new design;

FIG. 12 is a left-side elevational view of a food preparation environment illustrating the second embodiment of the new design; and,

FIG. 13 is a right-side elevational view of a food preparation environment illustrating the second embodiment of the new design.

The broken lines shown in the drawings are for illustrative purposes only and form no part of the claimed design.

1 Claim, 11 Drawing Sheets



(58) **Field of Classification Search**

USPC D6/659, 660–661.3, 675.2–675.4,
 D6/678.1–682.2, 703.1; D7/305, 340;
 D12/345; D18/39; D21/524;
 D23/271–272; D24/217, 234
 CPC A47B 17/03; A47B 17/04; A47B 57/16;
 A47F 3/00; A47F 3/005; A47F 3/06;
 A47F 2/00; A47F 7/00; A47F 7/021;
 A47F 7/283; A47F 9/00; B64D 11/04;
 F16B 12/00; E04B 2002/7483; E04B
 2002/7488

See application file for complete search history.

(56) **References Cited**

U.S. PATENT DOCUMENTS

D206,905 S * 2/1967 Noyes et al. D6/677
 D228,261 S * 8/1973 Bull D7/340
 3,926,486 A * 12/1975 Sasnett F16B 12/00
 312/198

D263,733 S * 4/1982 Van Schayik D23/272
 D288,267 S * 2/1987 Meyer D23/271
 D296,850 S * 7/1988 Pamio D23/272
 D331,100 S * 11/1992 Jacobsen D23/271
 D357,062 S * 4/1995 Schreiner D23/272
 D358,413 S * 5/1995 Momose D18/36
 D490,124 S * 5/2004 Hradisky D21/524
 6,761,332 B1 * 7/2004 Bengtsson B64D 11/04
 244/117 R
 D556,493 S * 12/2007 Isett D7/300
 D567,535 S * 4/2008 Hentschker D6/675
 D571,477 S * 6/2008 Terrill D24/217
 D579,229 S * 10/2008 De La Serve D6/662
 D591,974 S * 5/2009 Singler D6/663
 D591,979 S * 5/2009 Singler D6/672
 D613,344 S * 4/2010 Hradisky D21/524
 D628,278 S * 11/2010 Archiutti D23/271
 D647,024 S * 10/2011 Tan D12/345
 D649,926 S * 12/2011 Tan D12/345
 D681,785 S * 5/2013 Siekmann D23/271
 D706,948 S * 6/2014 Ahearn D24/234
 D743,719 S * 11/2015 Barho D6/661

* cited by examiner

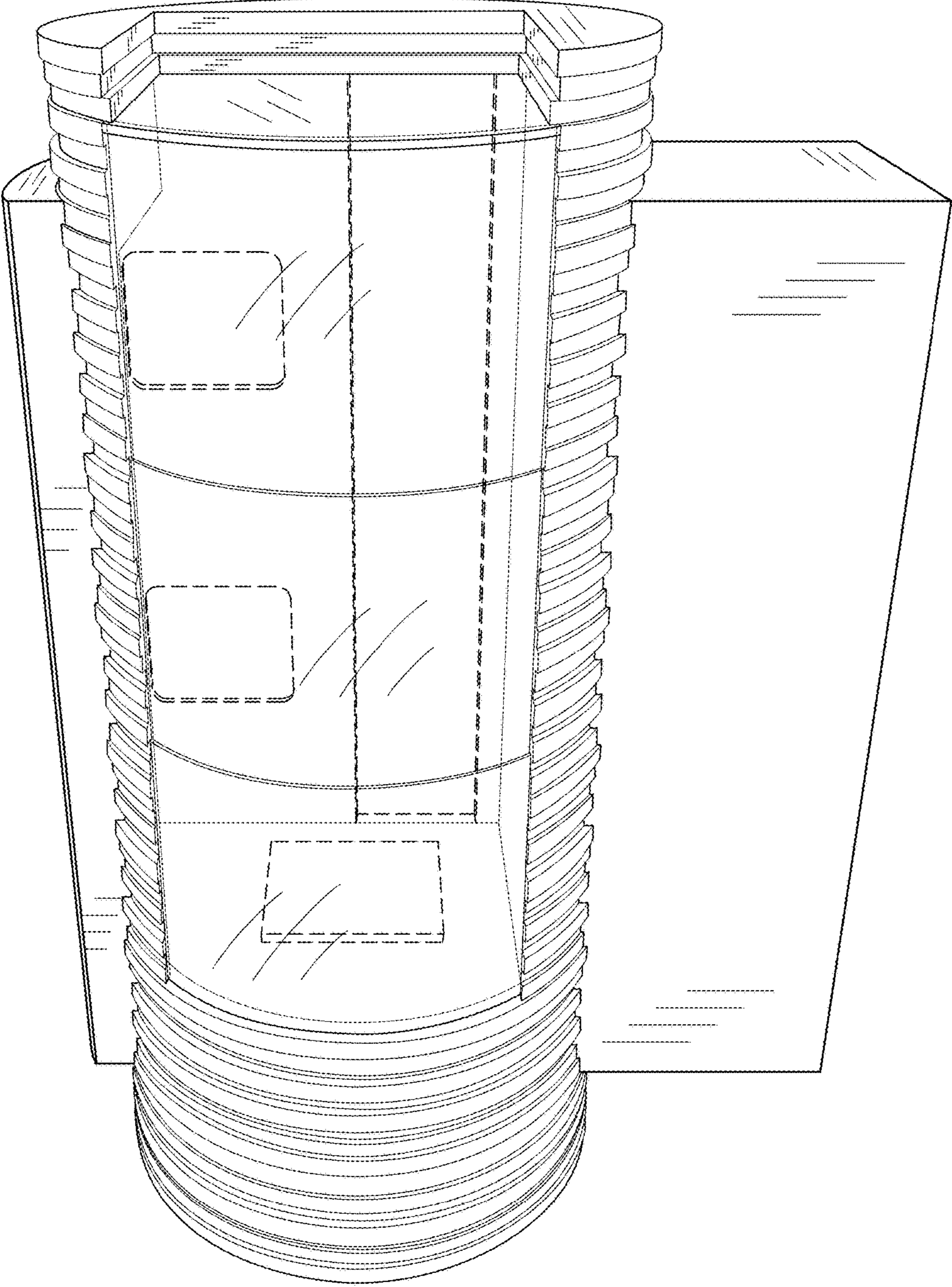


FIG. 1

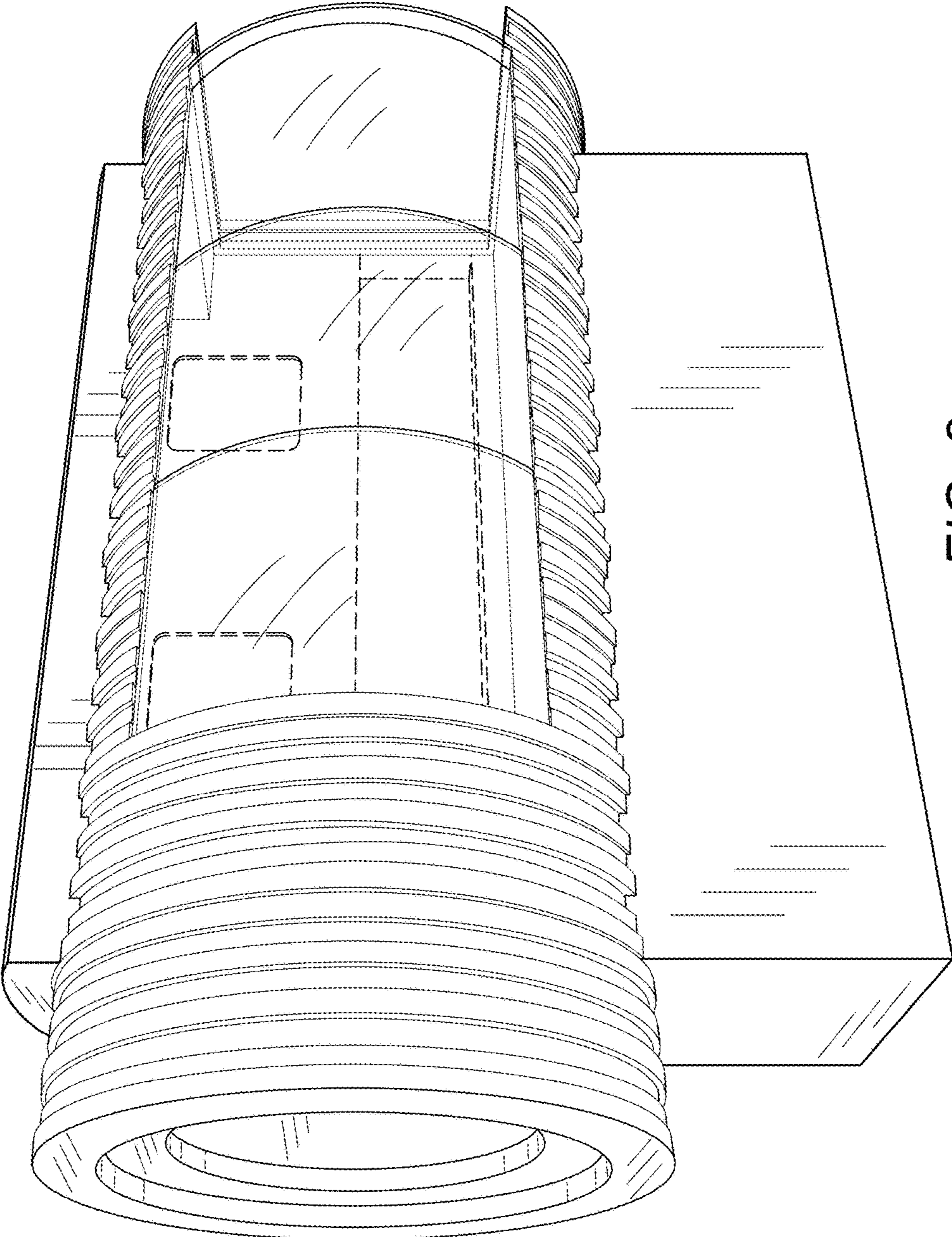


FIG. 2

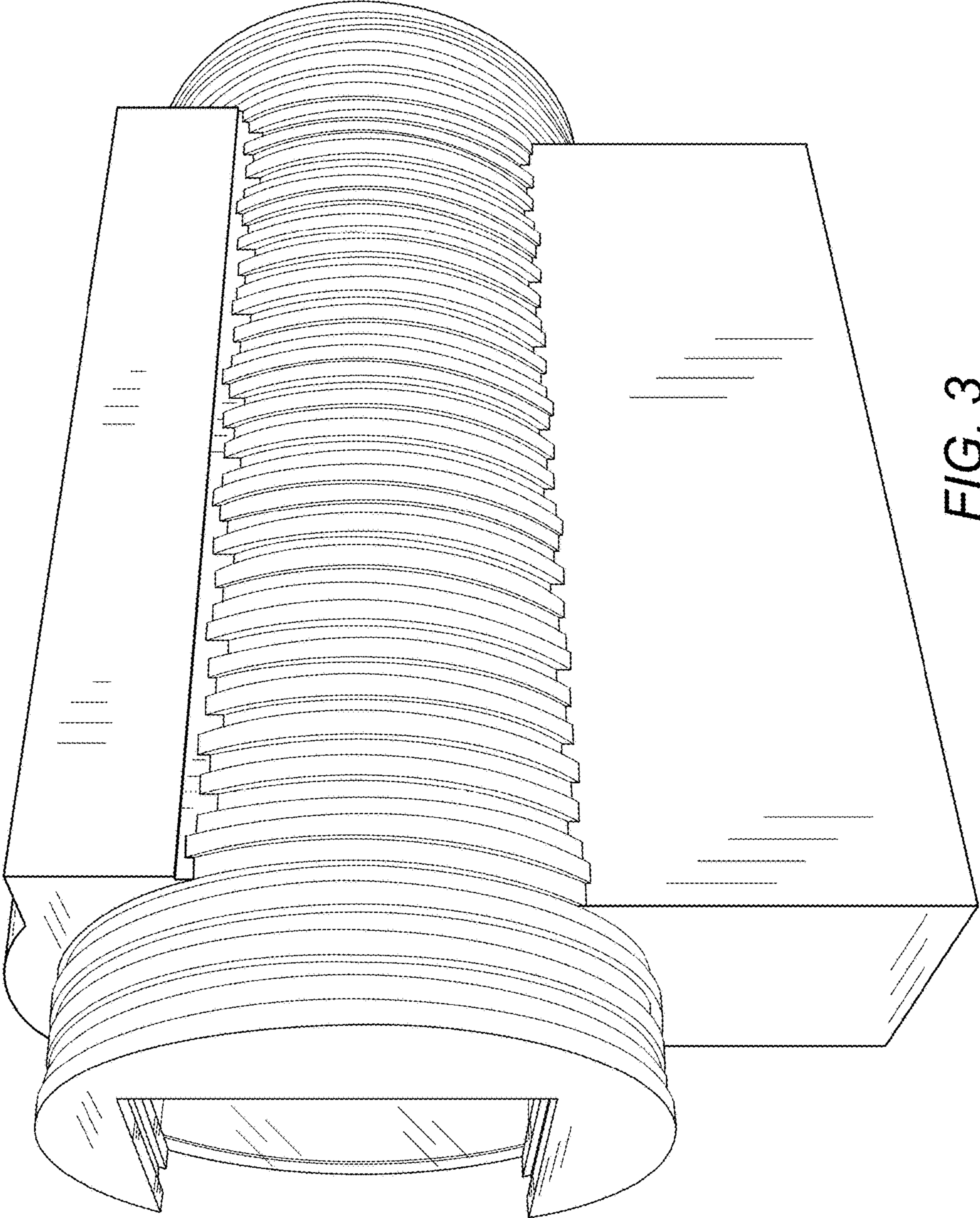


FIG. 3

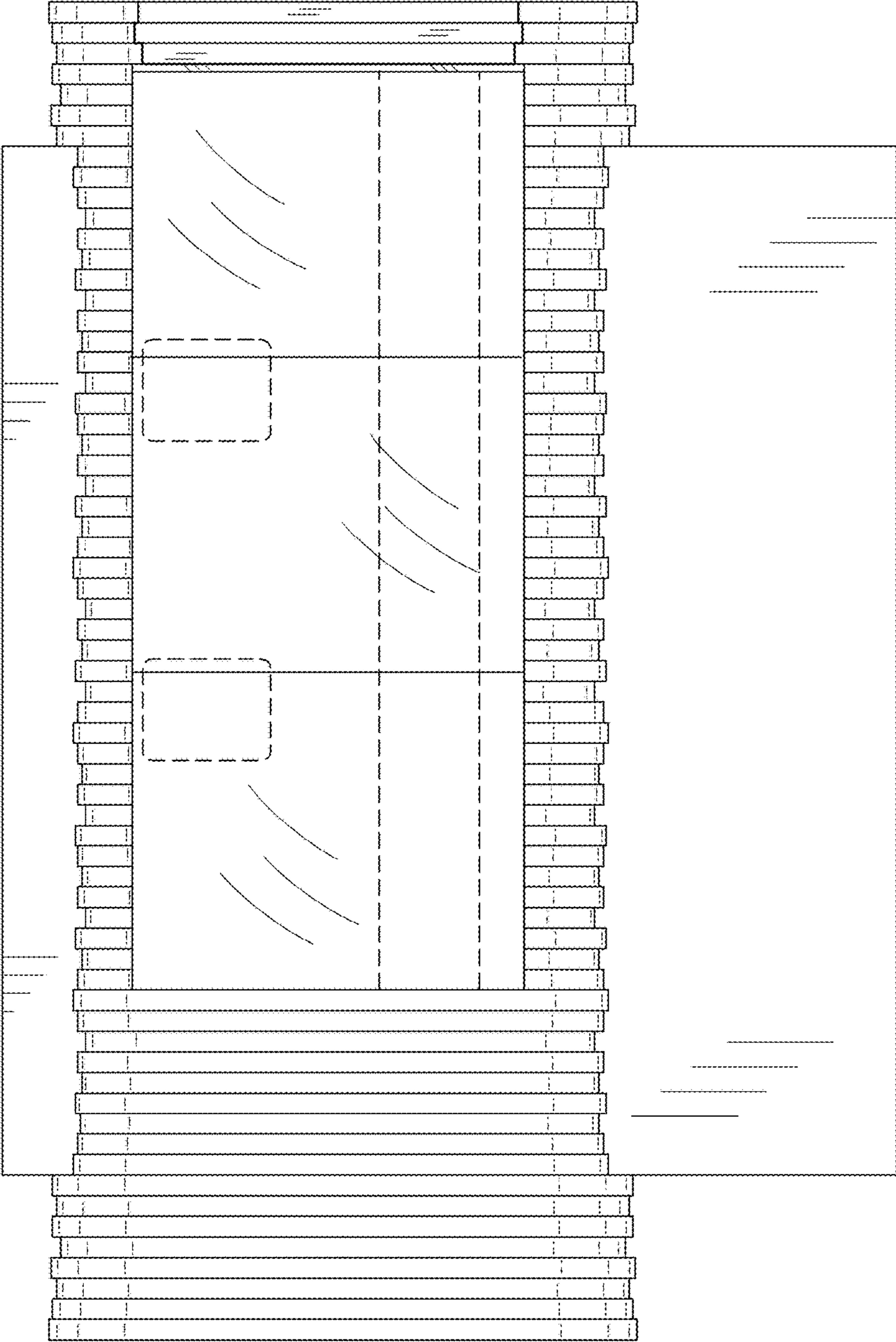


FIG. 4

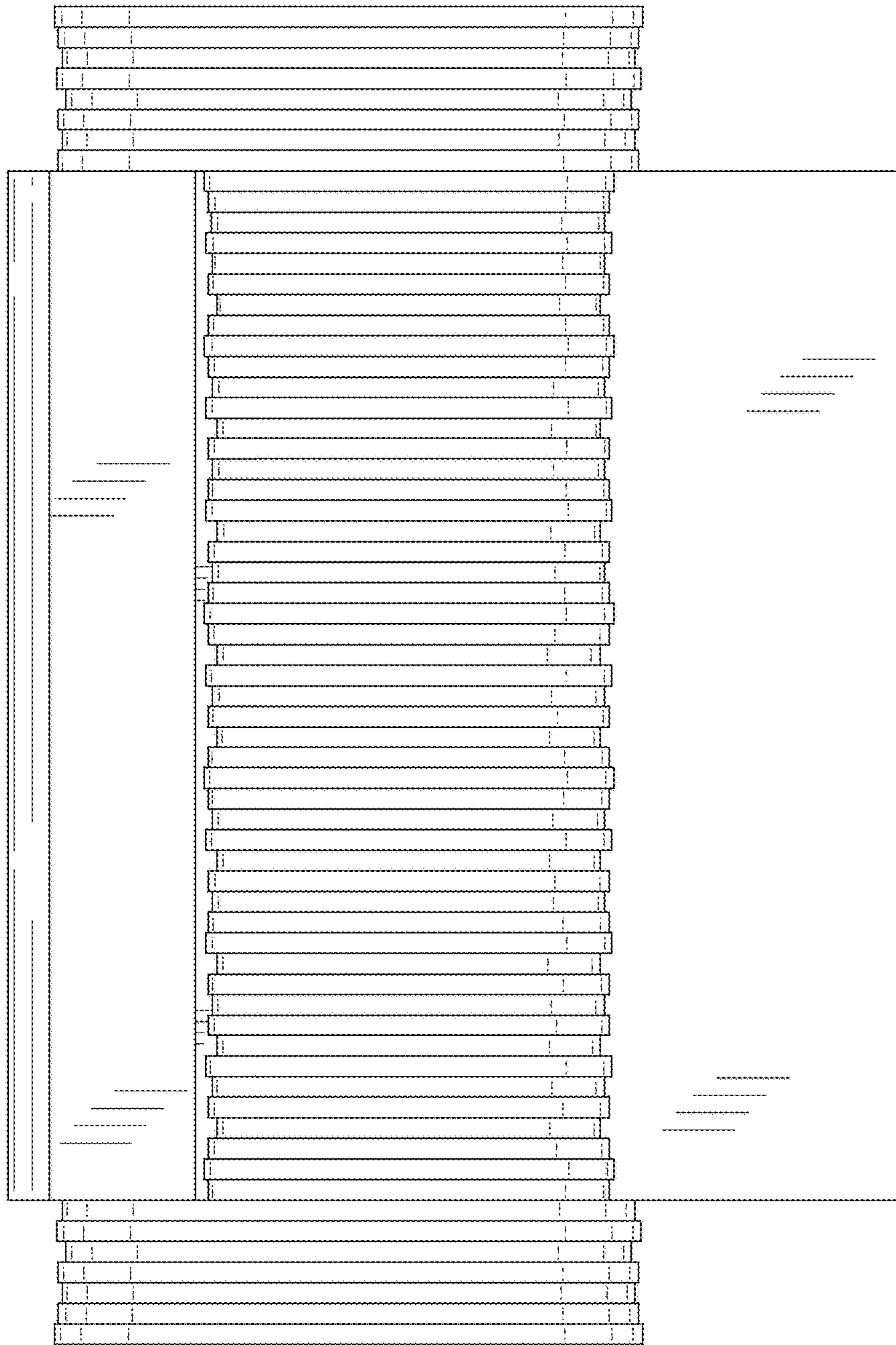


FIG. 5

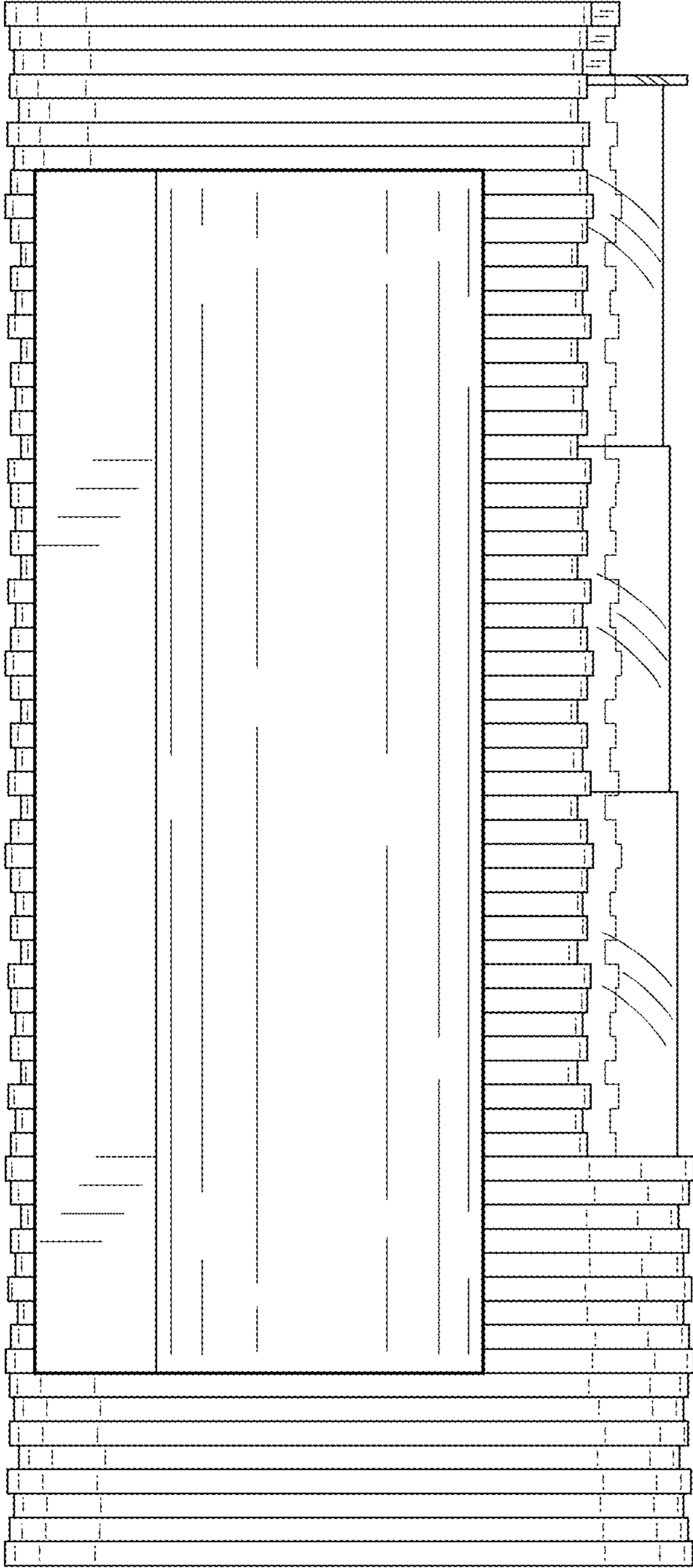


FIG. 6

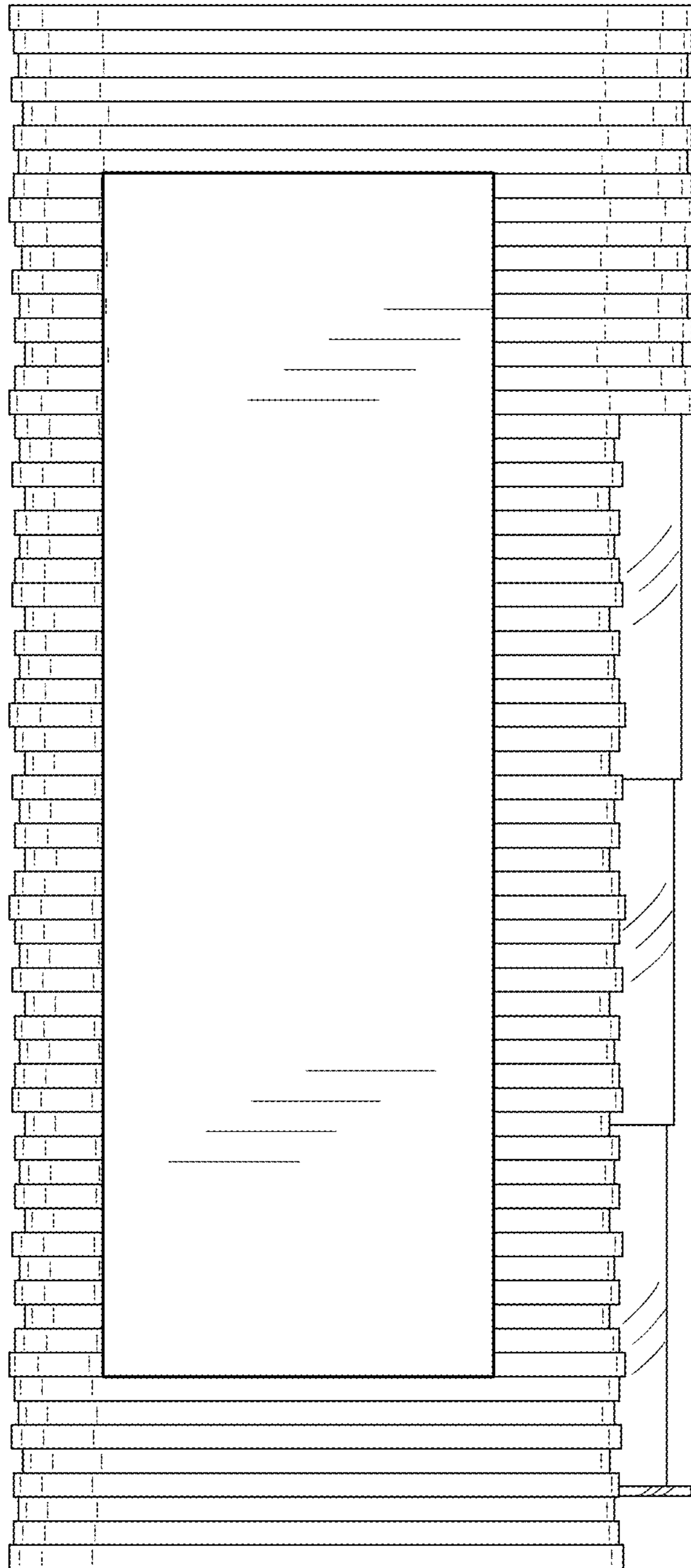


FIG. 7

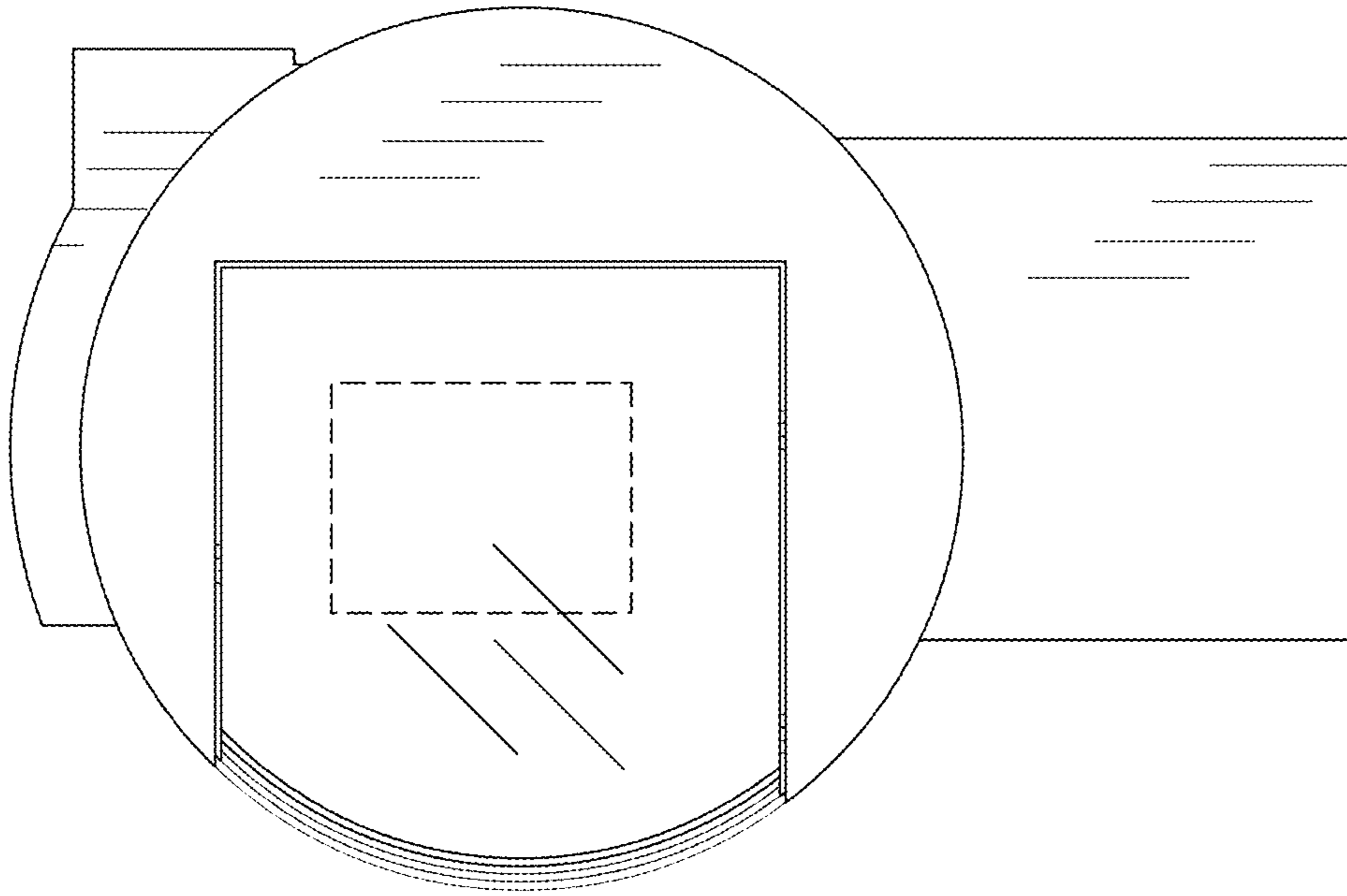


FIG. 9

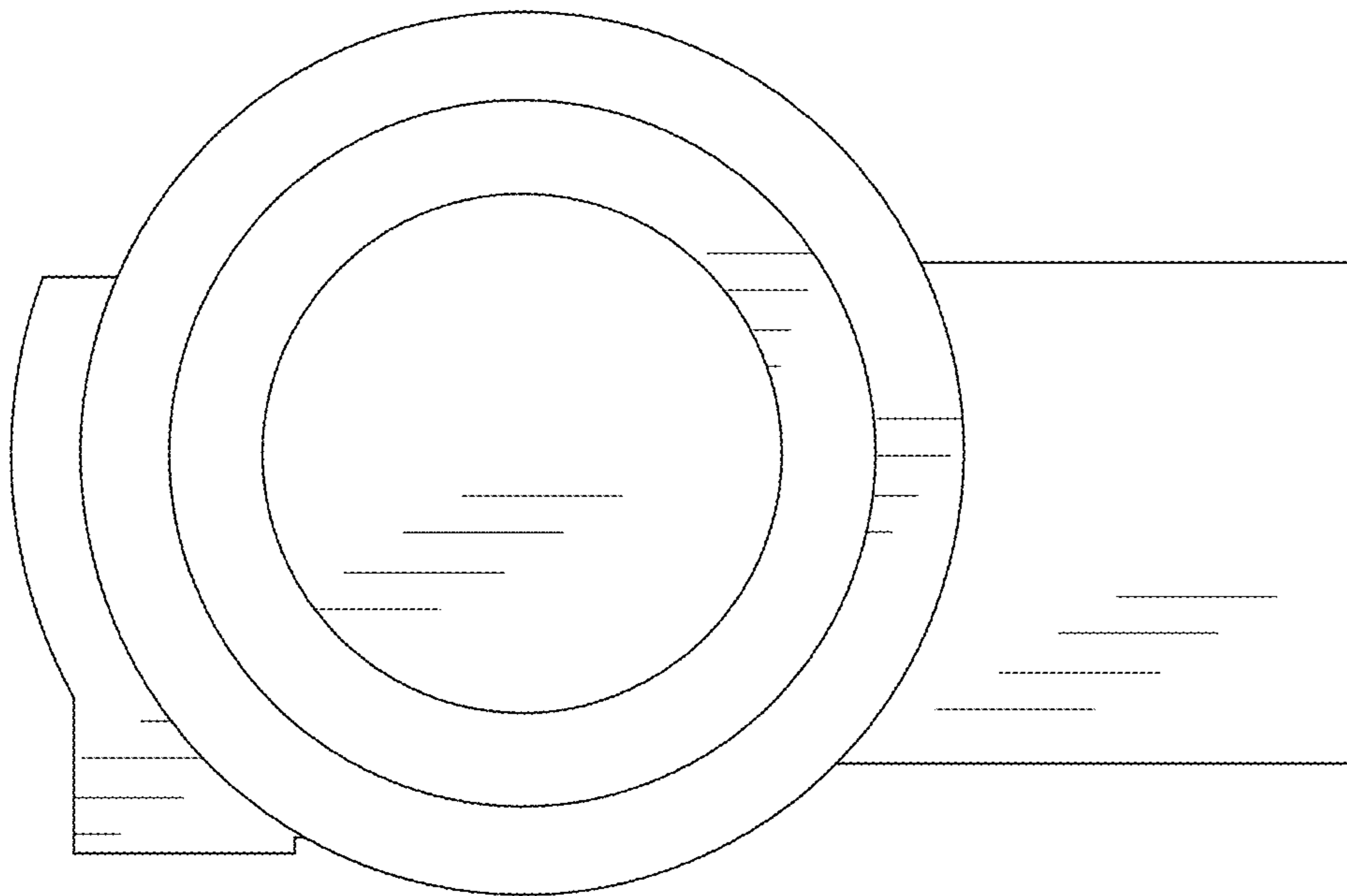


FIG. 8

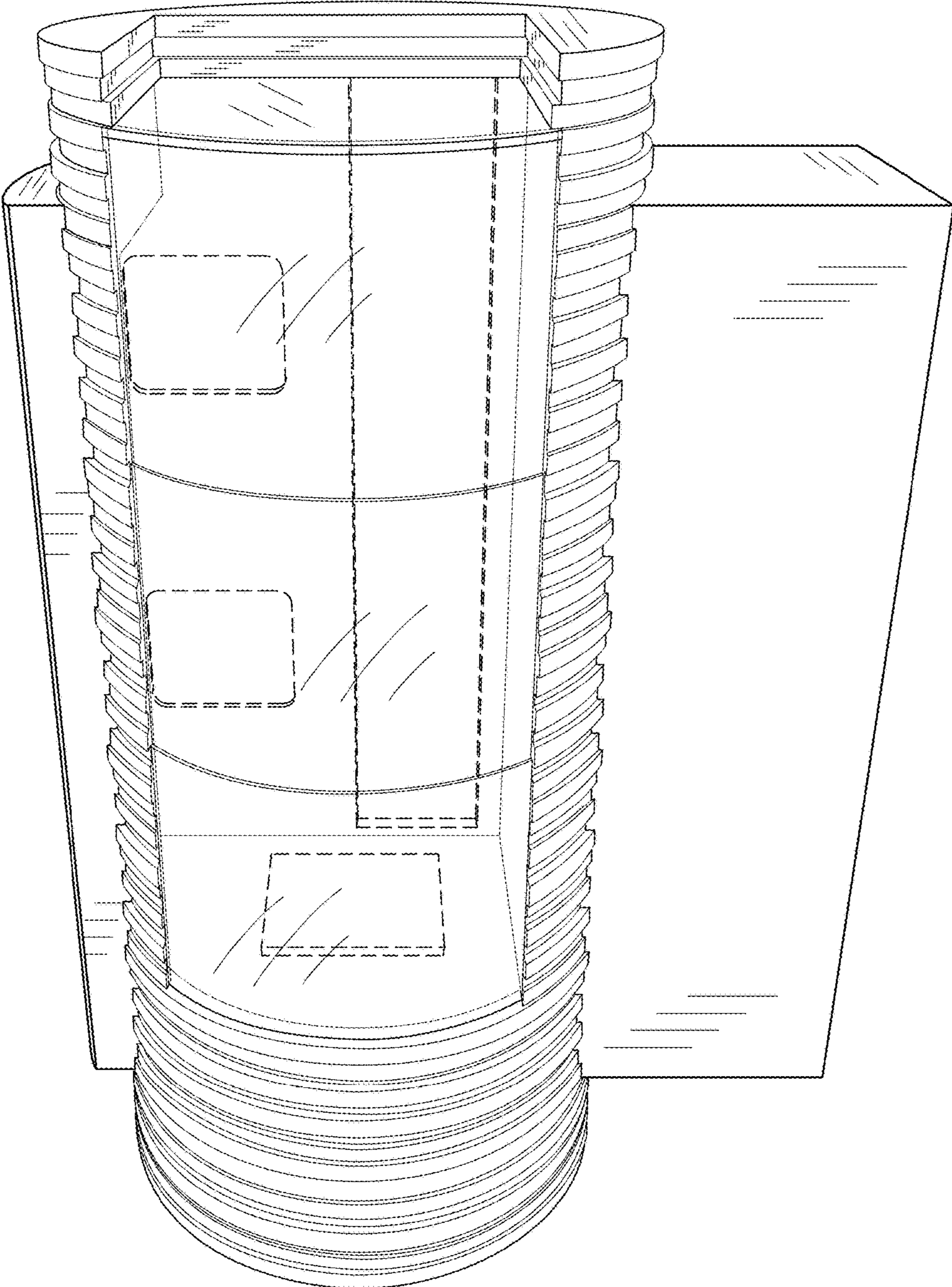


FIG. 10

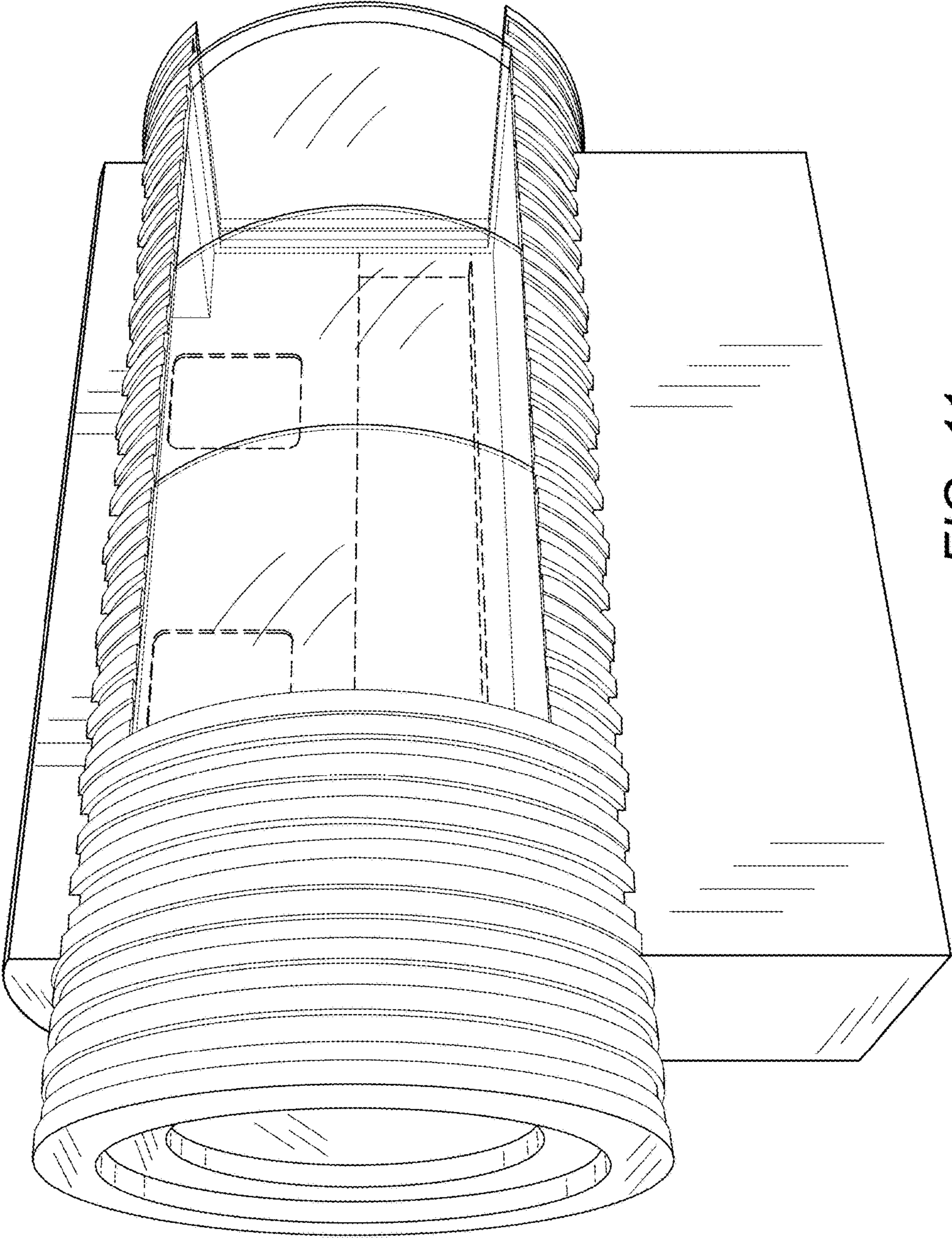


FIG. 11

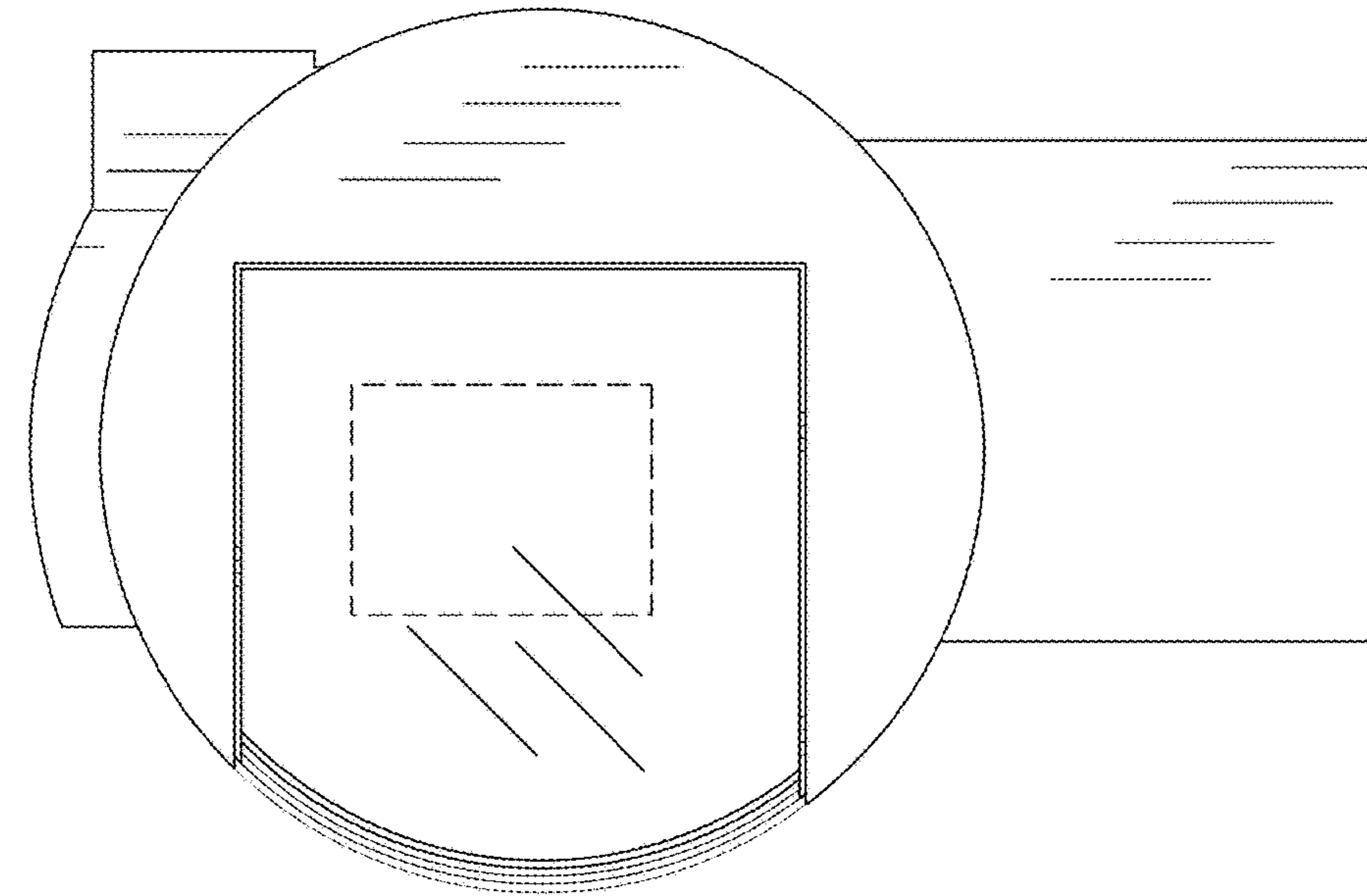


FIG. 12

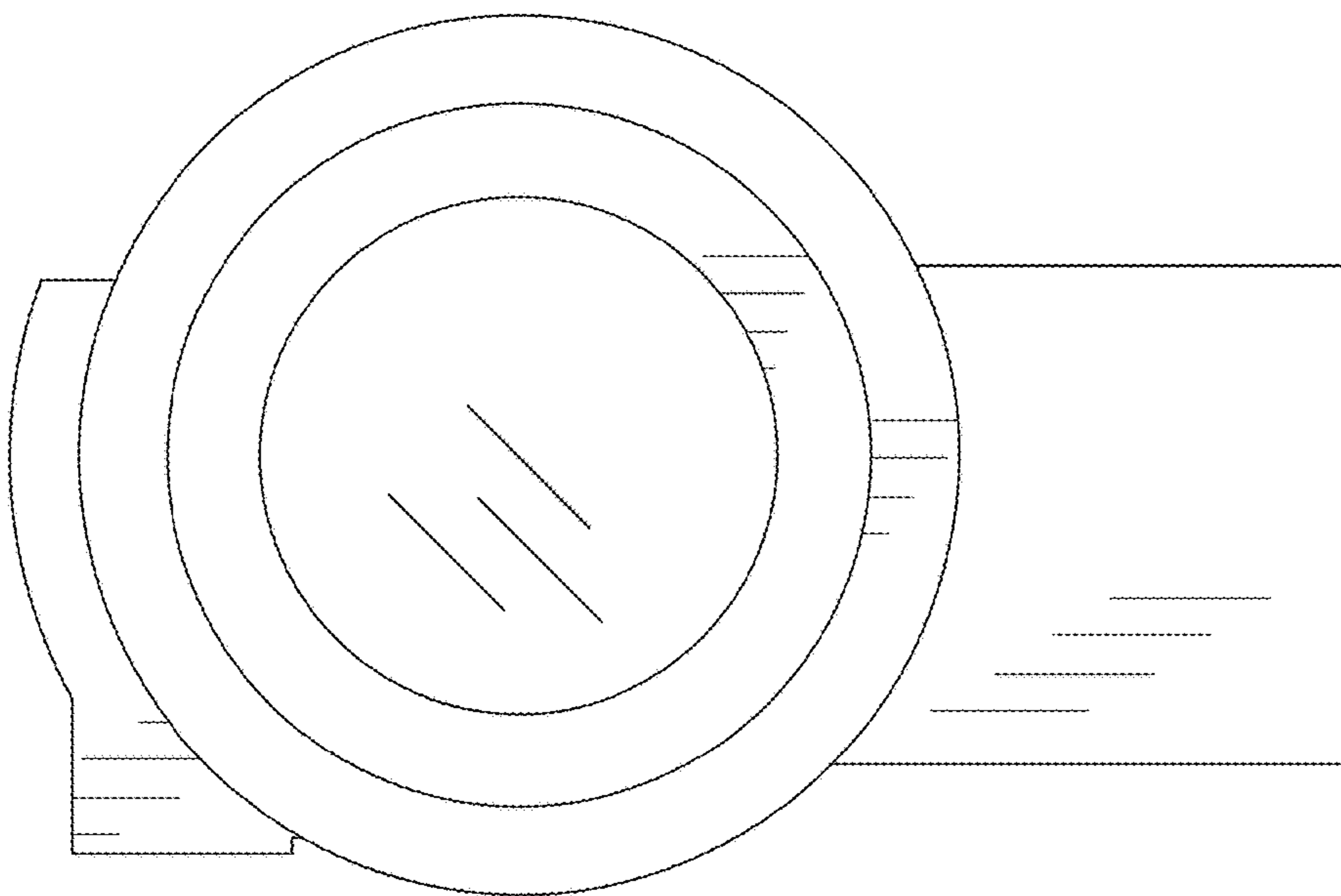


FIG. 13