



US00D782221S

(12) **United States Design Patent**
Wightman

(10) **Patent No.:** **US D782,221 S**

(45) **Date of Patent:** **** Mar. 28, 2017**

- (54) **MATTRESS**
- (75) Inventor: **Leona Wightman**, Huntley, IL (US)
- (73) Assignee: **SERTA, INC.**, Hoffman Estates, IL (US)
- (**) Term: **14 Years**
- (21) Appl. No.: **29/406,425**
- (22) Filed: **Nov. 14, 2011**

- 7,386,903 B2 * 6/2008 Hochschild 5/740
- D622,531 S * 8/2010 Morrison et al. D6/596
- D662,753 S * 7/2012 Shive D6/605
- D663,152 S * 7/2012 Shive D6/605
- D670,128 S * 11/2012 Price D6/605
- D670,129 S * 11/2012 Price D6/605
- D670,948 S * 11/2012 Price D6/605
- D670,951 S * 11/2012 Price D6/605
- D670,952 S * 11/2012 Price D6/605
- D670,953 S * 11/2012 Price D6/605
- D673,413 S * 1/2013 Price D6/605
- D712,682 S * 9/2014 Tjoflat D6/605

(Continued)

Related U.S. Application Data

- (62) Division of application No. 29/383,811, filed on Jan. 21, 2011, now Pat. No. Des. 651,443.
- (51) **LOC (10) Cl.** **06-09**
- (52) **U.S. Cl.**
USPC **D6/605**
- (58) **Field of Classification Search**
USPC D6/595, 596, 602, 605; 5/690, 692, 739, 5/663, 691, 717, 723; 248/345.1; D8/403
See application file for complete search history.

(56) **References Cited**

U.S. PATENT DOCUMENTS

- 3,512,191 A * 5/1970 Wall 5/692
- 4,101,995 A 7/1978 Phillips
- 4,312,087 A 1/1982 De Geus
- 4,344,196 A 8/1982 Large
- D314,304 S * 2/1991 Levine D6/606
- 5,029,353 A 7/1991 Kimball et al.
- 5,173,976 A 12/1992 Jubinville
- 5,231,714 A * 8/1993 Mossbeck 5/400
- 5,970,544 A 10/1999 Kardell
- 6,594,836 B1 7/2003 Everson et al.
- D479,082 S 9/2003 Daughtery et al.
- 6,983,500 B2 1/2006 Wootten
- D550,406 S 9/2007 West

OTHER PUBLICATIONS

Bed Times, The Business Journal for the Sleep Products Industry, Supplies Guide 2011, Dec. 2010, p. 87.

(Continued)

Primary Examiner — Brandon M Rosati
Assistant Examiner — Sanjeev Paul
(74) *Attorney, Agent, or Firm* — Cantor Colburn LLP

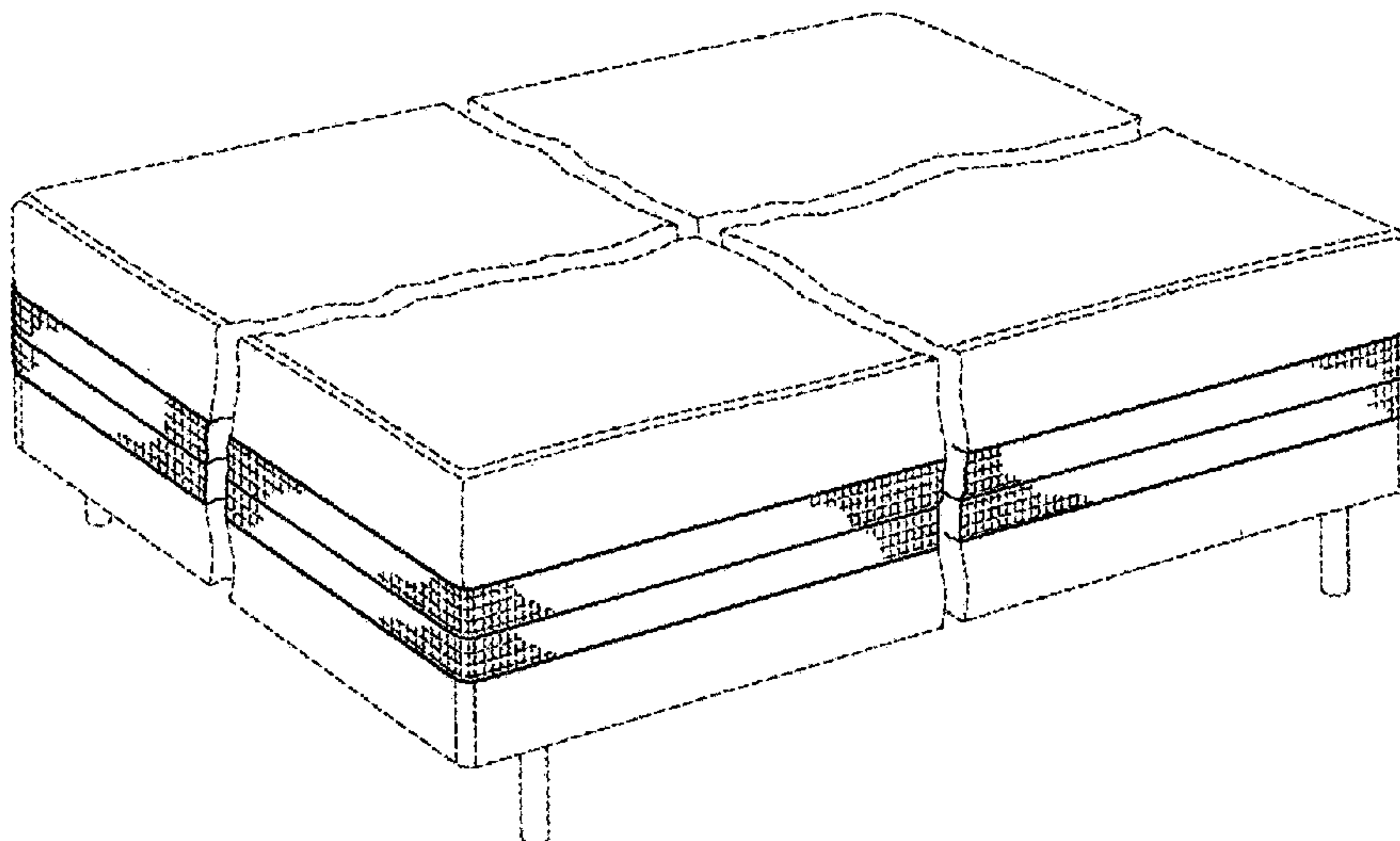
(57) **CLAIM**

The ornamental design for a mattress, as shown and described.

DESCRIPTION

FIG. 1 is a front, top perspective view of an embodiment of a mattress showing my new design, the opposite view being a mirror image thereof; and, FIG. 2 is another front, top perspective view of the mattress shown in FIG. 1, the only difference being the mattress and a portion of the mattress foundation are in an articulated position. The broken lines are environmental and form no part of the claimed design.

1 Claim, 2 Drawing Sheets



(56)

References Cited

U.S. PATENT DOCUMENTS

D717,079 S * 11/2014 Bradford D6/605
D731,819 S * 6/2015 Wightman D6/605
D744,766 S * 12/2015 Morrison D6/605
D744,767 S * 12/2015 Morrison D6/605
D758,763 S * 6/2016 Bradford D6/605

OTHER PUBLICATIONS

Office action issued in Japanese design application No. 2012-4240, mailed Dec. 12, 2014, 4 pages.

A mattress bed shown in "Cabinet Maker," United Business Media International, Dec. 22, 2008, 2 pages (including English translation).

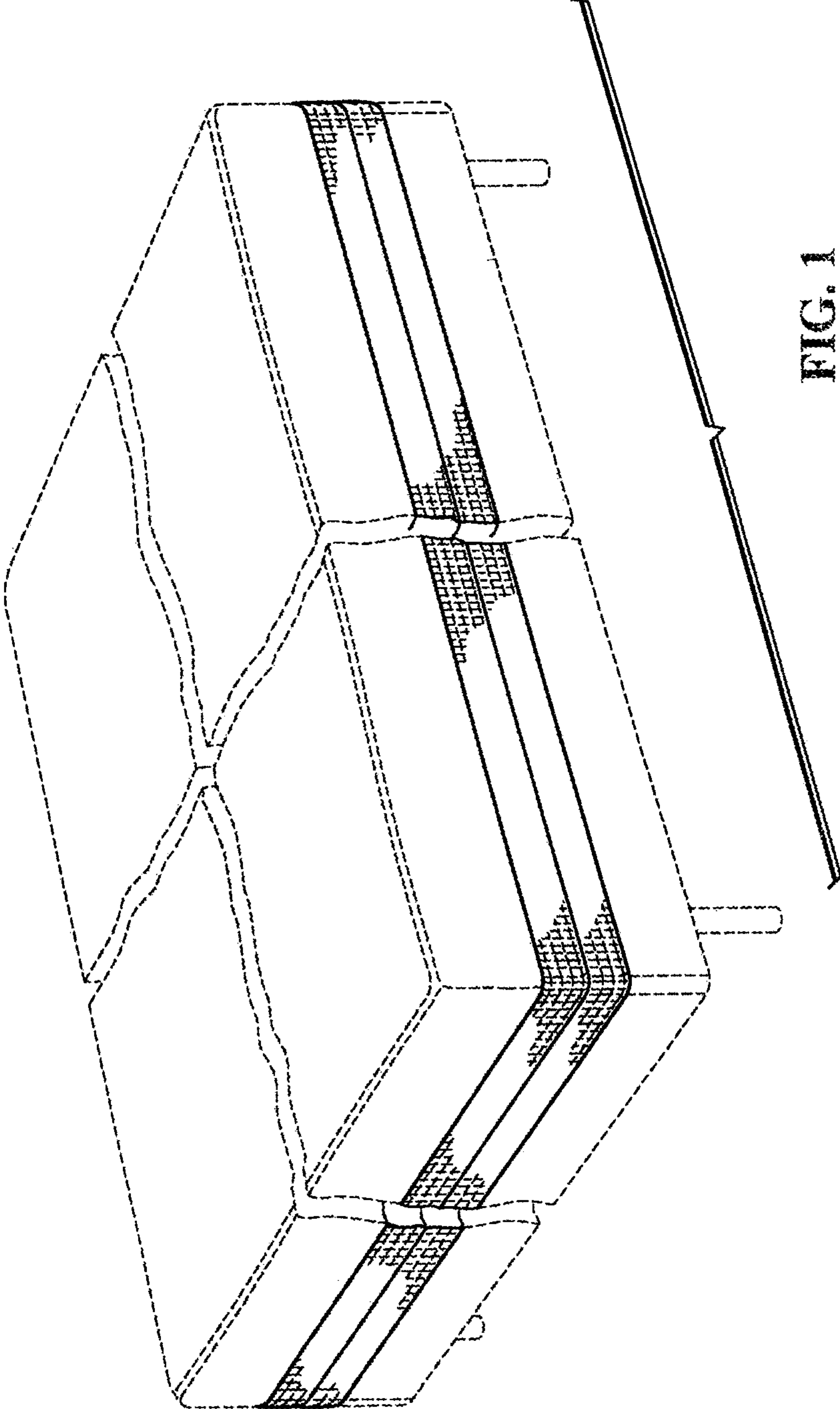
A mattress bed shown in a Japanese catalogue, KK Cape, Dec. 28, 2001, 2 pages (including English translation).

Office action issued in Japanese design application No. 2012-4239, mailed Dec. 12, 2014, 4 pages.

A mattress bed shown in a Japanese catalogue, KK Dinos, Feb. 7, 2011, 2 pages (including English translation).

A mattress bed shown in "Cabinet Maker," United Business Media International, Nov. 25, 2009, 2 pages (including English translation).

* cited by examiner



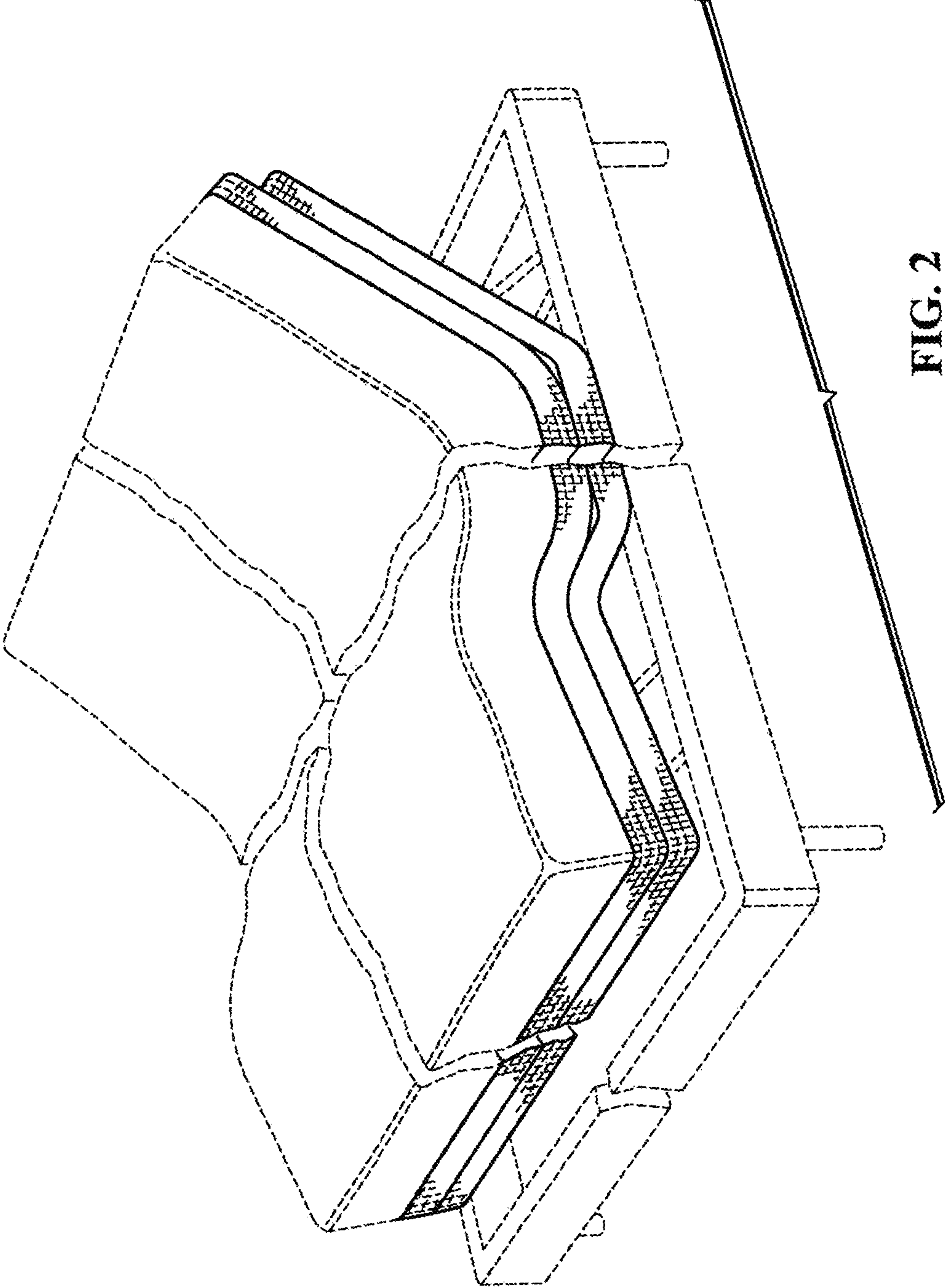


FIG. 2