



US00D782219S

(12) **United States Design Patent**
Aker et al.

(10) **Patent No.:** **US D782,219 S**
(45) **Date of Patent:** **** Mar. 28, 2017**

- (54) **BASSINET**
- (71) Applicant: **Stokke AS**, Ålesund (NO)
- (72) Inventors: **Lina Aker**, Ålesund (NO); **Robert Myrene**, Ålesund (NO); **Hilde Angelfoss**, Ålesund (NO)
- (73) Assignee: **Stokke AS** (NO)
- (**) Term: **14 Years**
- (21) Appl. No.: **29/523,448**
- (22) Filed: **Apr. 9, 2015**
- (30) **Foreign Application Priority Data**
Oct. 10, 2014 (EM) 002554782
- (51) **LOC (10) Cl.** **06-02**
- (52) **U.S. Cl.**
USPC **D6/390**
- (58) **Field of Classification Search**
USPC D6/390, 391, 718, 718.26
CPC . A47D 9/00; A47D 9/005; A47D 9/02; A47D 5/006; A47D 7/00
See application file for complete search history.

- 4,967,432 A * 11/1990 Kujawski A47D 7/007
5/122
- 5,163,191 A * 11/1992 Chan A47D 7/04
24/387
- 5,553,336 A * 9/1996 Mariol A47D 13/06
5/93.1
- 6,192,535 B1 * 2/2001 Warner, Jr. A47D 5/006
135/96
- 6,418,575 B1 * 7/2002 Cheng A47D 7/002
5/93.1
- 6,434,767 B1 * 8/2002 Welsh, Jr. A47D 7/04
5/93.2

(Continued)

OTHER PUBLICATIONS

Seed Organic Bassinet Cradle, BabyEarth, reviewed Jan. 24, 2010. site visited Sep. 13, 2016, available from internet: <URL: <http://www.babyearth.com/seed-organic-cradle-seed-organic-bassinet-cradle.html>>.*

(Continued)

Primary Examiner — Cathron Brooks
(74) *Attorney, Agent, or Firm* — Kolisch Hartwell, P.C.

(57) **CLAIM**

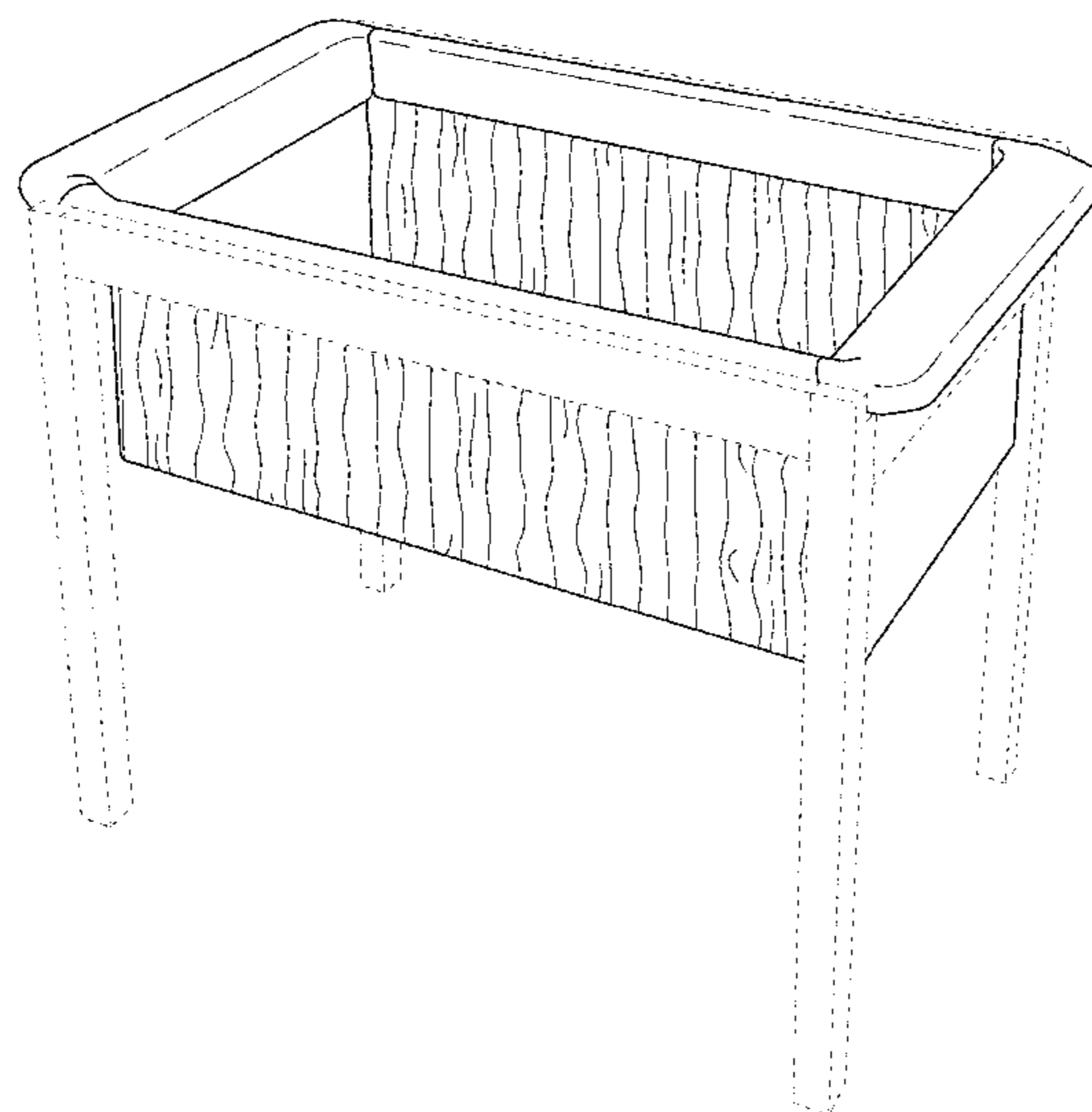
The ornamental design for a bassinet, as shown and described.

DESCRIPTION

FIG. 1 is perspective view of a bassinet showing the new design;
FIG. 2 is a left side view thereof;
FIG. 3 is front view thereof;
FIG. 4 is a right side view thereof;
FIG. 5 is a rear view thereof;
FIG. 6 is a top view thereof; and,
FIG. 7 is a bottom view thereof.
The broken lines illustrate portions of the bassinet that form no part of the claimed design.

1 Claim, 4 Drawing Sheets

- (56) **References Cited**
U.S. PATENT DOCUMENTS
1,897,525 A * 2/1933 McGill A47D 7/00
296/84.1
2,645,786 A * 7/1953 Loftin A47D 5/006
4/547
2,841,797 A * 7/1958 Kennedy A47K 3/164
108/119
3,159,850 A * 12/1964 Aldrich A47D 13/02
5/94
D276,112 S * 10/1984 Ferrell D6/606
D277,793 S * 2/1985 Allen D34/17
D300,787 S * 4/1989 Carter D34/17



(56)

References Cited

U.S. PATENT DOCUMENTS

D500,213 S * 12/2004 DeHart D6/390
D523,257 S * 6/2006 Kassai D6/391
7,055,191 B1 * 6/2006 Chen A47D 13/06
5/93.2
D534,367 S * 1/2007 Peltonen D6/331
8,001,630 B2 * 8/2011 Burkholder A47D 7/04
5/93.1
8,312,575 B1 * 11/2012 Maraj A47D 9/00
5/663
D678,693 S * 3/2013 Bergkvist D6/390
2003/0046761 A1 * 3/2003 Hsia A47D 7/04
5/99.1
2003/0070230 A1 * 4/2003 Hsia A47D 7/04
5/95
2006/0253979 A1 * 11/2006 Chen A47D 5/00
5/93.1
2008/0271243 A1 * 11/2008 Burkholder A47D 7/04
5/93.2
2013/0198957 A1 * 8/2013 Obriot A47D 7/007
5/604

OTHER PUBLICATIONS

Seed Organic Cradle Bassinet, Gumtree, listed Dec. 23, 2015, site visited Sep. 13, 2016, available from internet: <URL: <http://www.gumtree.com.au/s-ad/curtin/cots-bedding/seed-organic-cradle-bassinet/1098867894>>.*

Stokke Home Cradle, Nordstrom, reviewed Aug. 28, 2016, site visited Sep. 13, 2016, available from internet: <URL: http://shop.nordstrom.com/...oductId=4090088&recs_categoryId=0&recs_productOrder=2&recs_placementId=PP_4&recs_source=Data_Lab_Recommendo_V2&recs_strategy=also_viewed2&recs_referringPageType=item_page>.*

Tasman Eco Amore Bassinet, BabyVillage, internet archive date of Jun. 13, 2013, site visited Sep. 13, 2016, available from internet: <URL: http://www.babyvillage.com.au/bedtime/bassinets_cradles/tasman_eco_amore_bassinet>.*

* cited by examiner

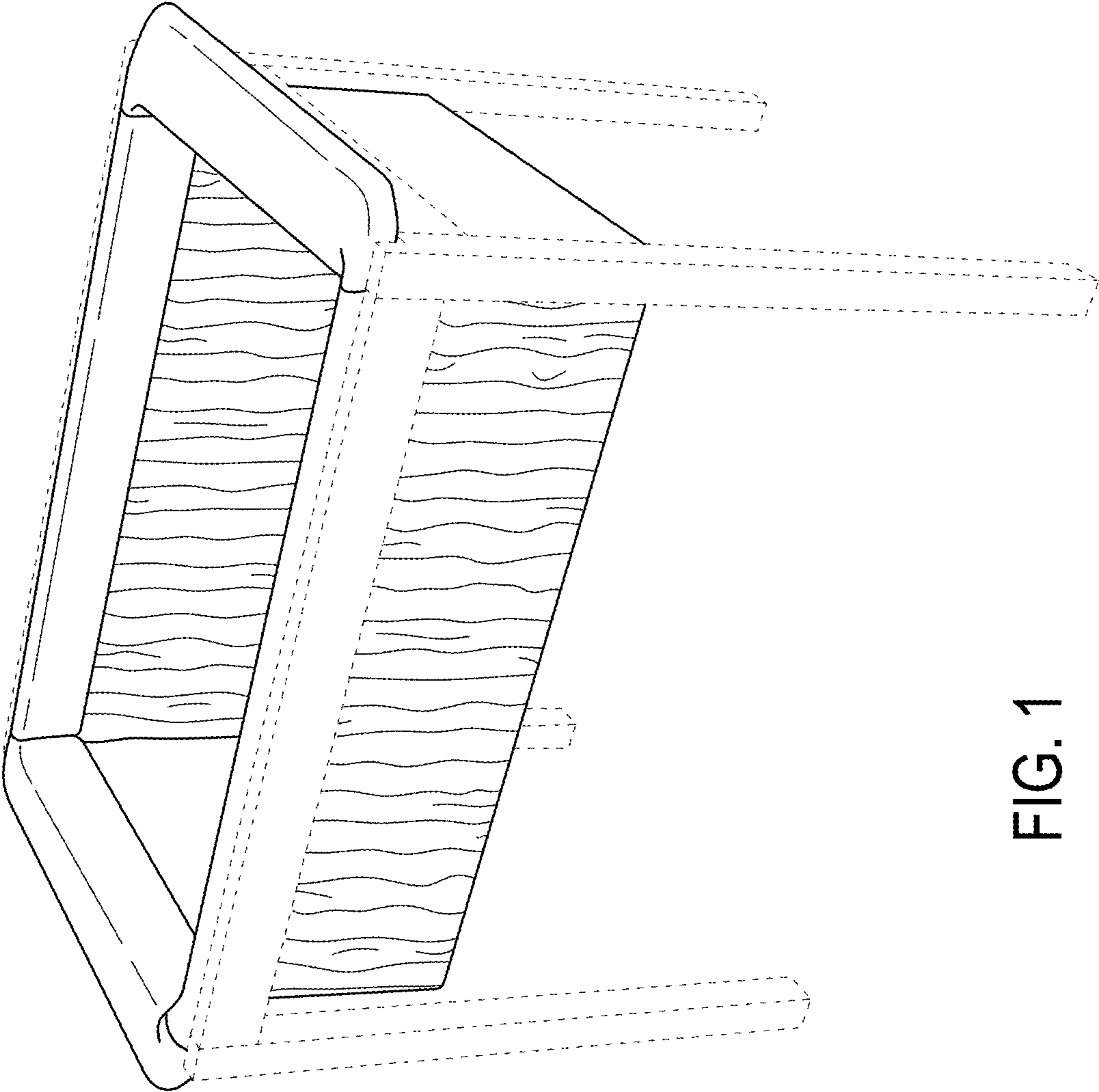


FIG. 1

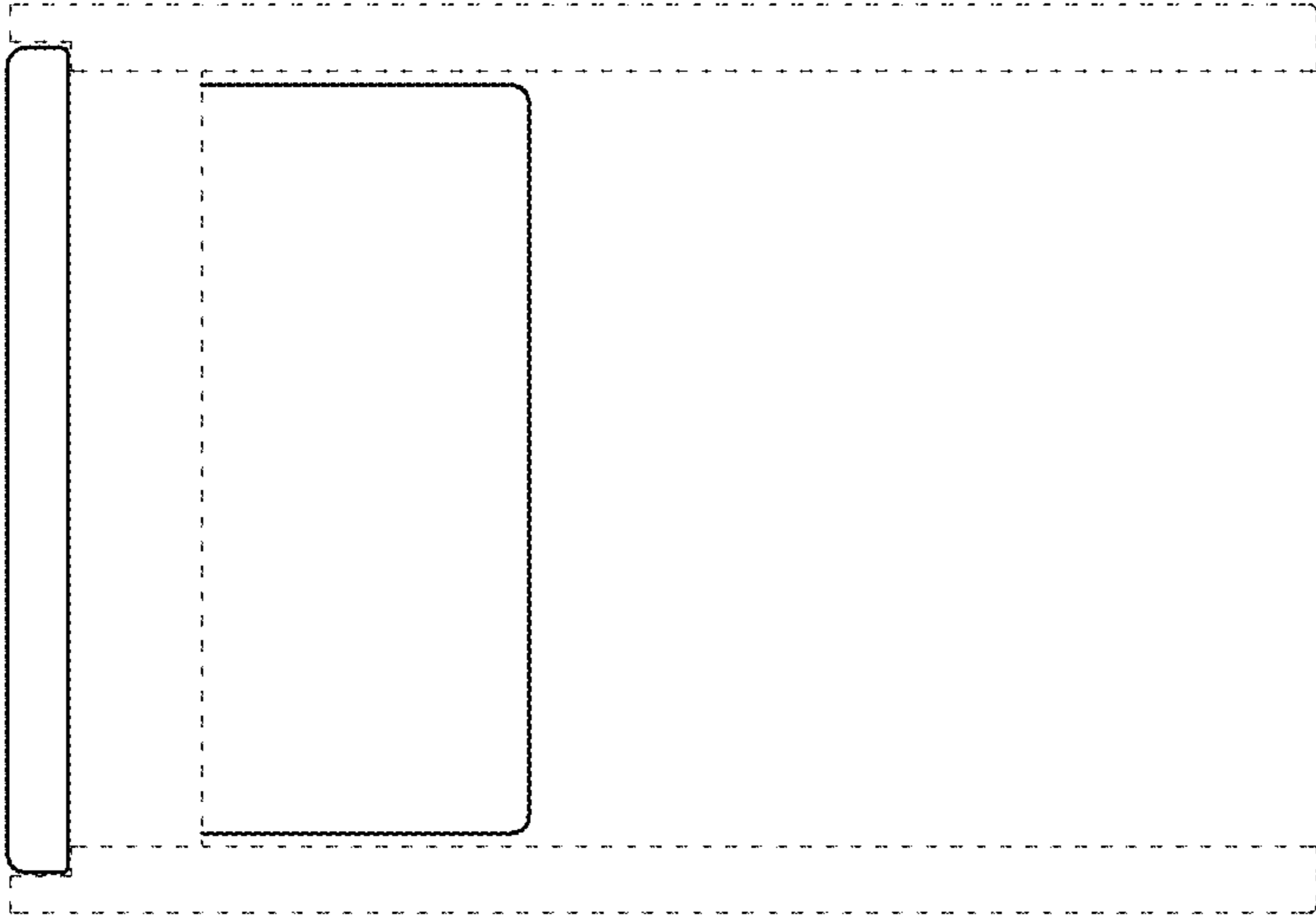


FIG. 2

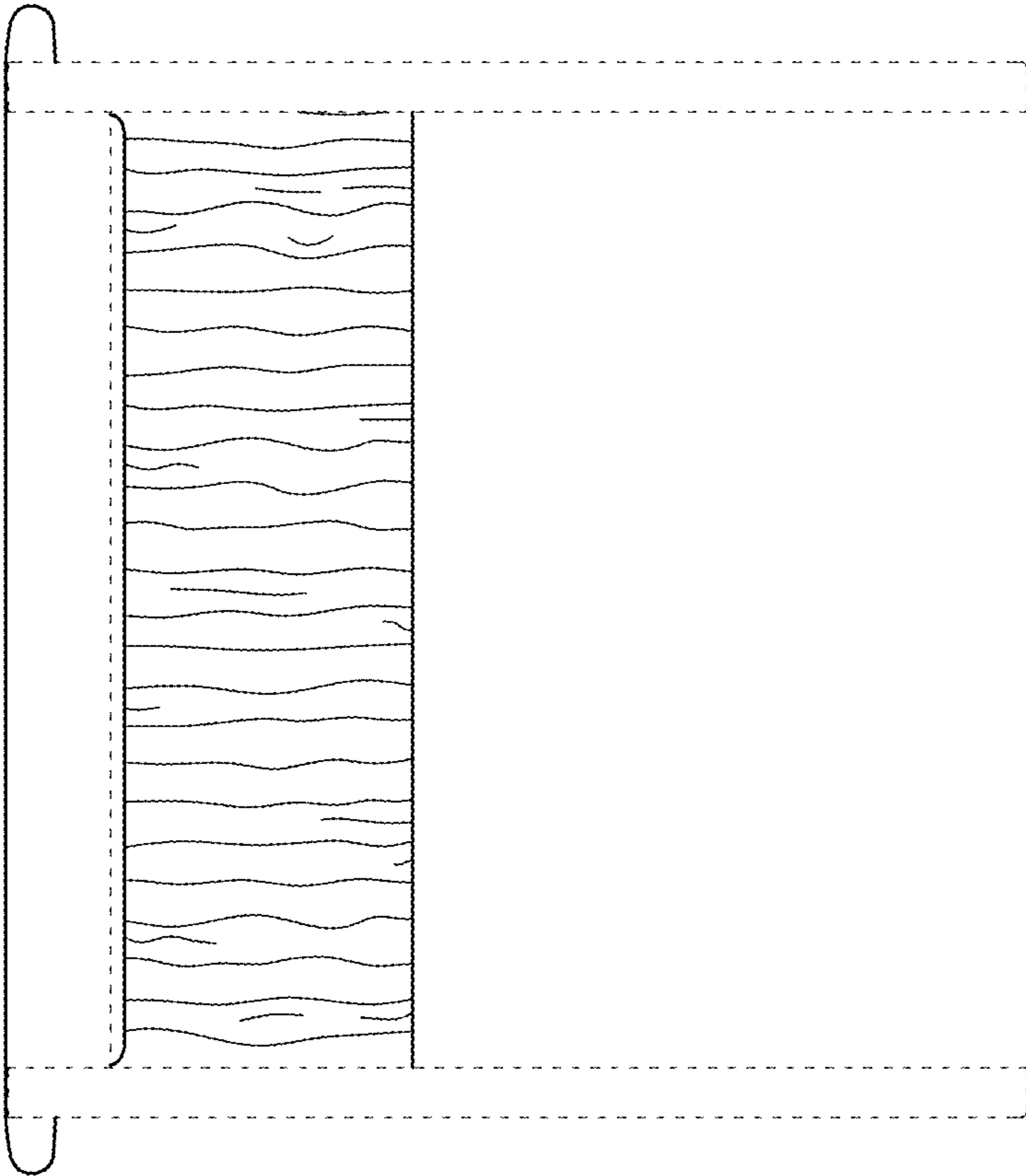


FIG. 3

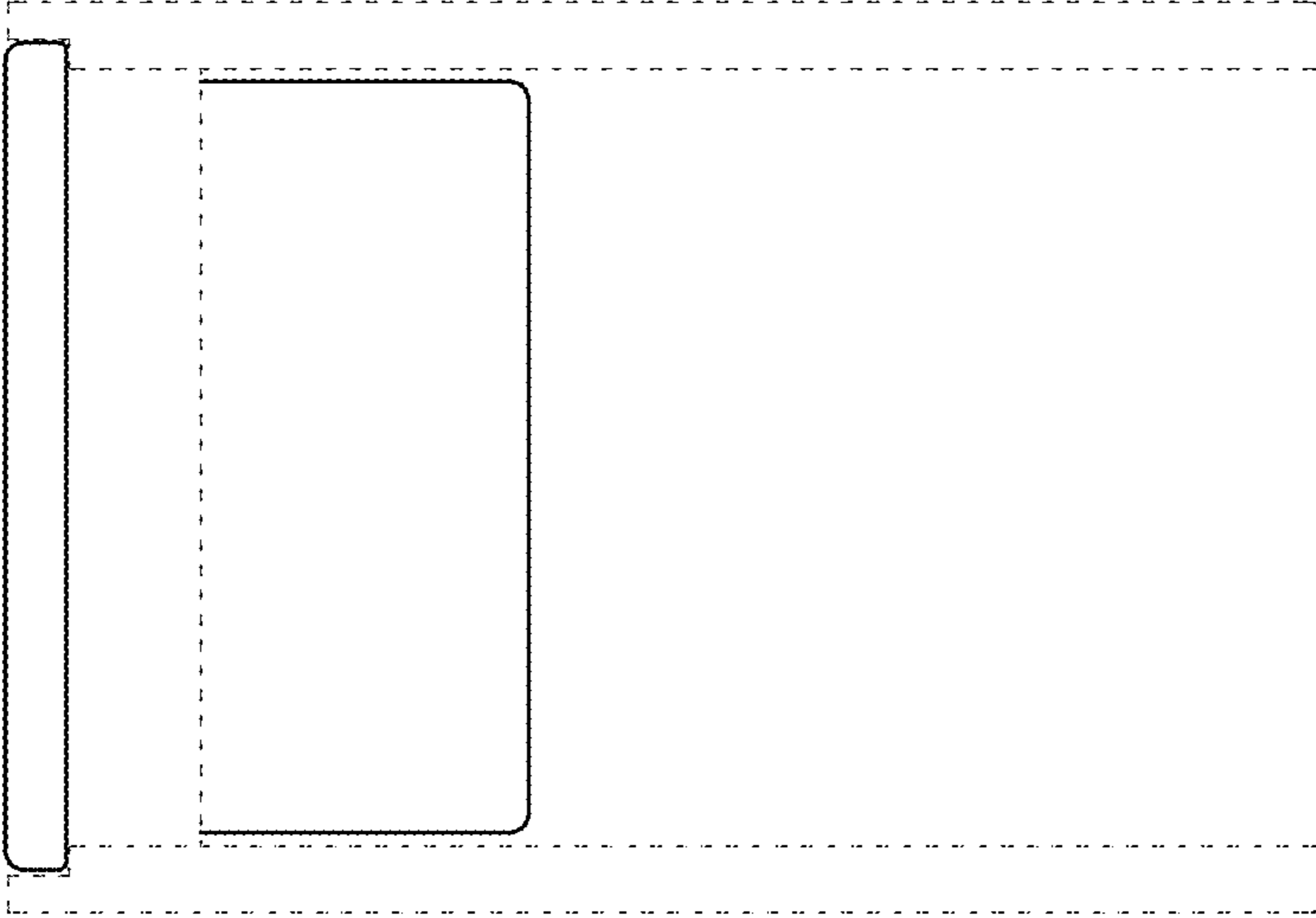


FIG. 5

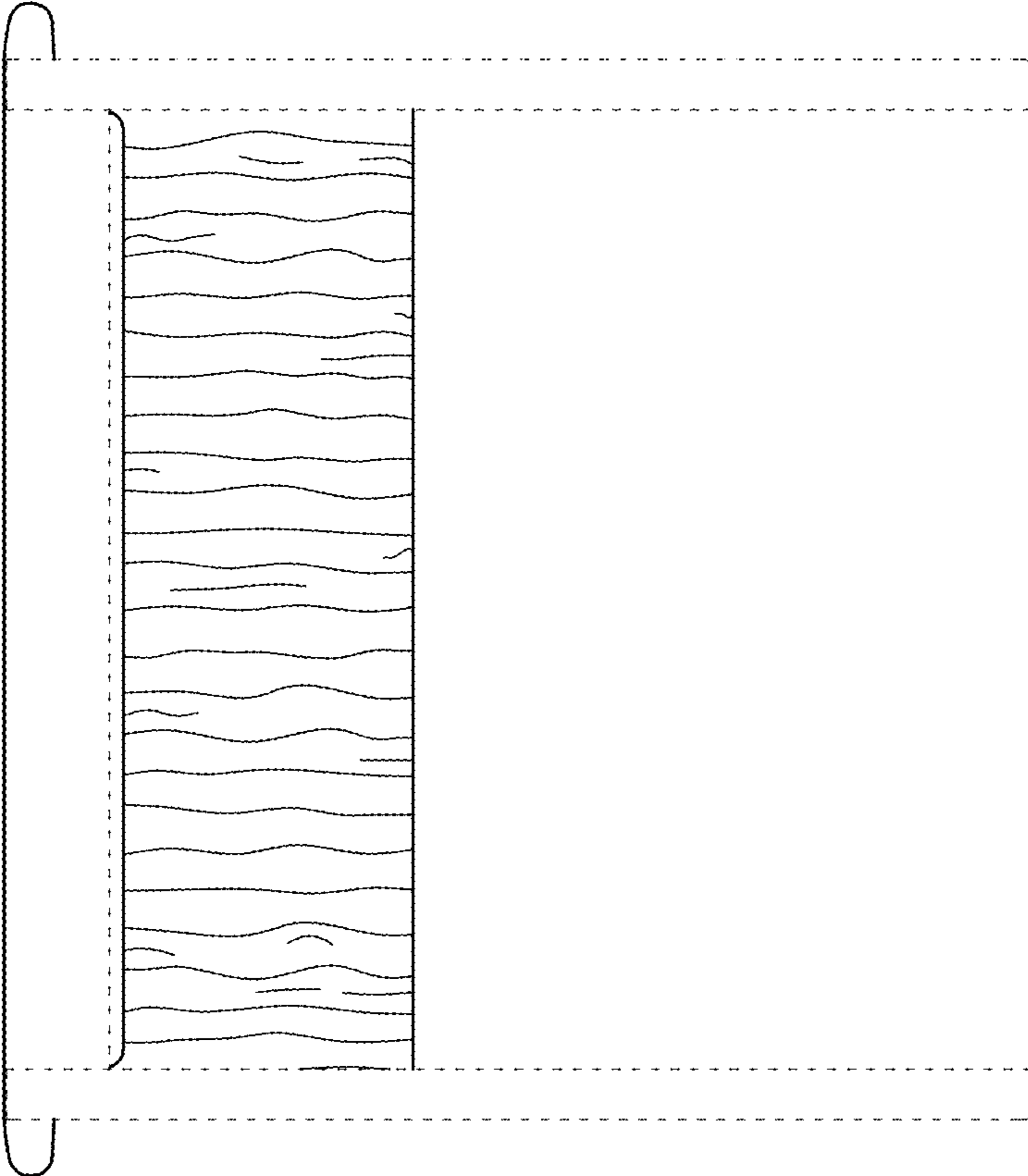


FIG. 4

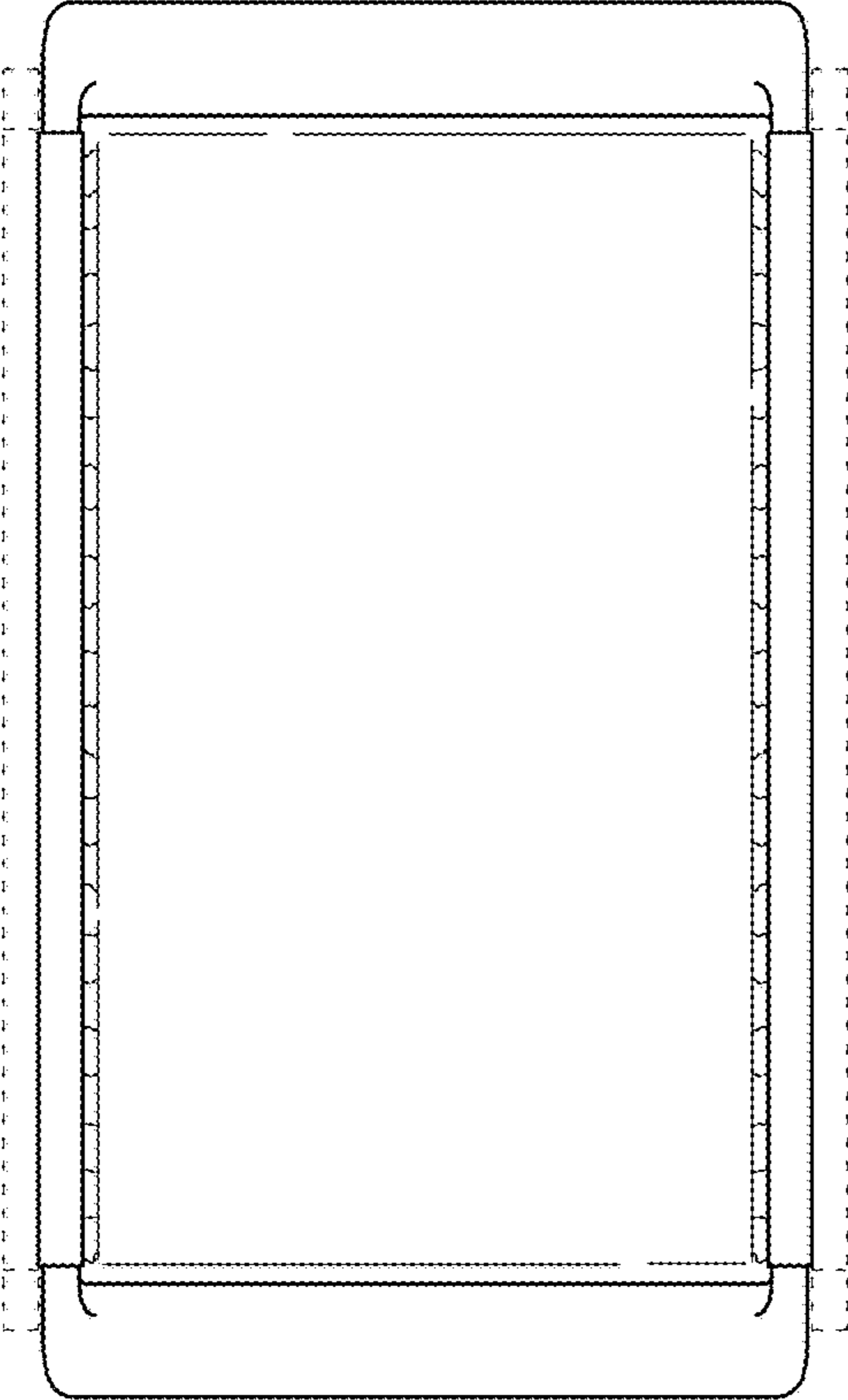


FIG. 6

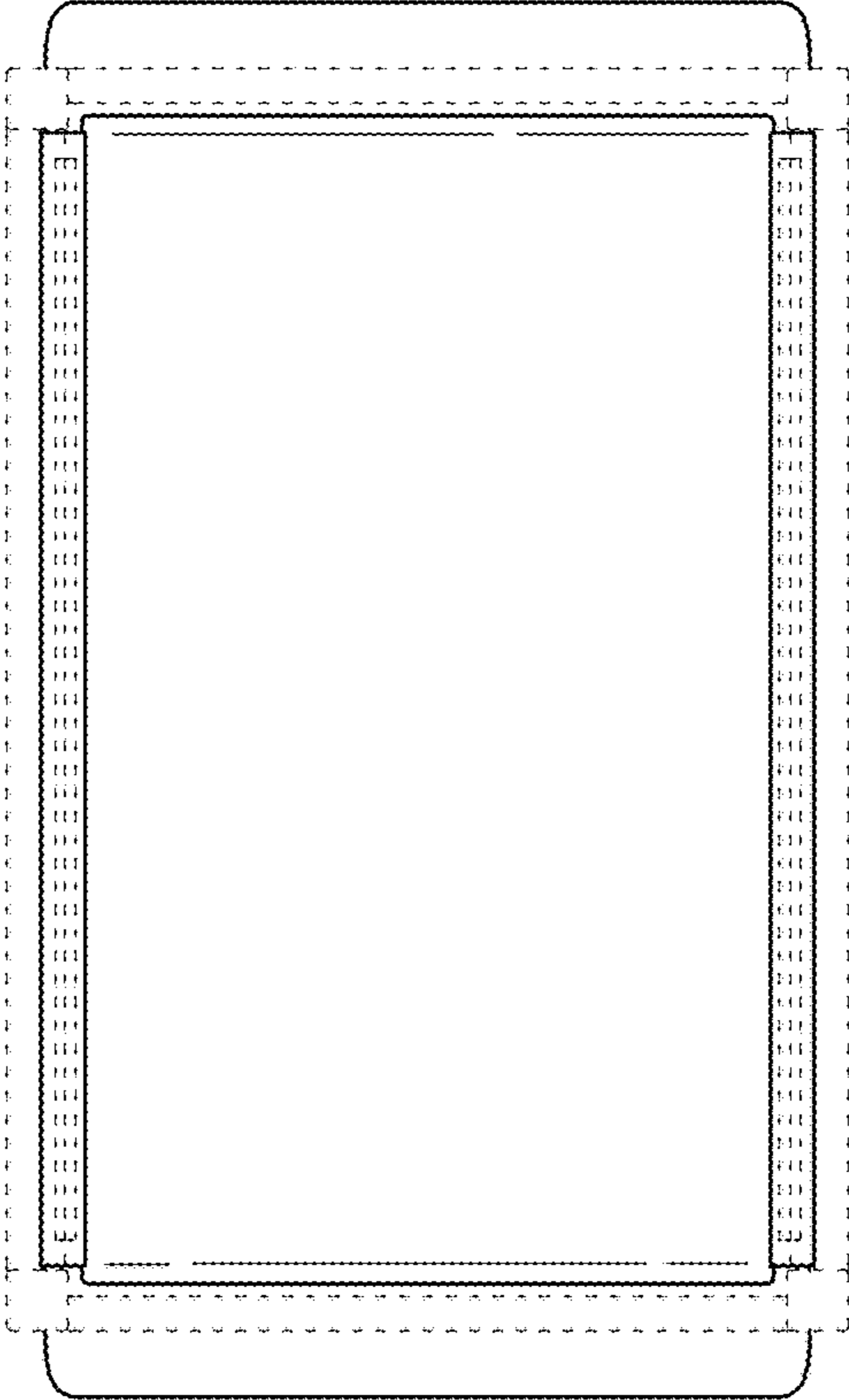


FIG. 7