



US00D782203S

(12) **United States Design Patent** (10) **Patent No.:** **US D782,203 S**
Fortier et al. (45) **Date of Patent:** **** Mar. 28, 2017**

(54) **NAIL PULLER BRUSH**
(71) Applicant: **GARANT GP**, Saint-François (CA)
(72) Inventors: **Nicola Fortier**, Lévis (CA); **David Boies**, Lévis (CA)
(73) Assignee: **GARANT GP**, Saint-François (CA)
(**) Term: **15 Years**
(21) Appl. No.: **29/532,540**

D435,734 S * 1/2001 Wolfenden D32/50
D456,146 S * 4/2002 Ver Haar D4/199
D480,564 S * 10/2003 Petner D4/199
D509,964 S * 9/2005 Berti D32/50
D517,327 S 3/2006 Robinson
D537,637 S * 3/2007 Camp, Jr. D32/50
D538,048 S * 3/2007 Camp, Jr. D32/50
D558,457 S * 1/2008 Boyer D4/199
D572,907 S * 7/2008 Byrne D4/199
D637,007 S * 5/2011 Miller D4/199
D647,308 S * 10/2011 Best D4/114
D683,968 S * 6/2013 Pottes D4/199
D685,193 S * 7/2013 Kaijun D4/199

(22) Filed: **Jul. 8, 2015**
(51) **LOC (10) Cl.** **04-01**
(52) **U.S. Cl.**
USPC **D4/199**
(58) **Field of Classification Search**
USPC D4/100, 118, 130-135, 199; D32/50-53
CPC A46B 3/00; A46B 3/08; A46B 15/0061;
A46B 15/00; A46B 9/02; A46B 1/20;
A46B 1/022; A47L 5/22; A47L 5/24;
A47L 13/10; A47L 13/12; A47L 13/08;
A47L 7/08

FOREIGN PATENT DOCUMENTS

WO 2014171843 A2 10/2014

* cited by examiner

Primary Examiner — Austin Murphy

(74) *Attorney, Agent, or Firm* — Gwendoline Bruneau

See application file for complete search history.

(57) **CLAIM**

The ornamental design for a nail puller brush, as shown and described.

DESCRIPTION

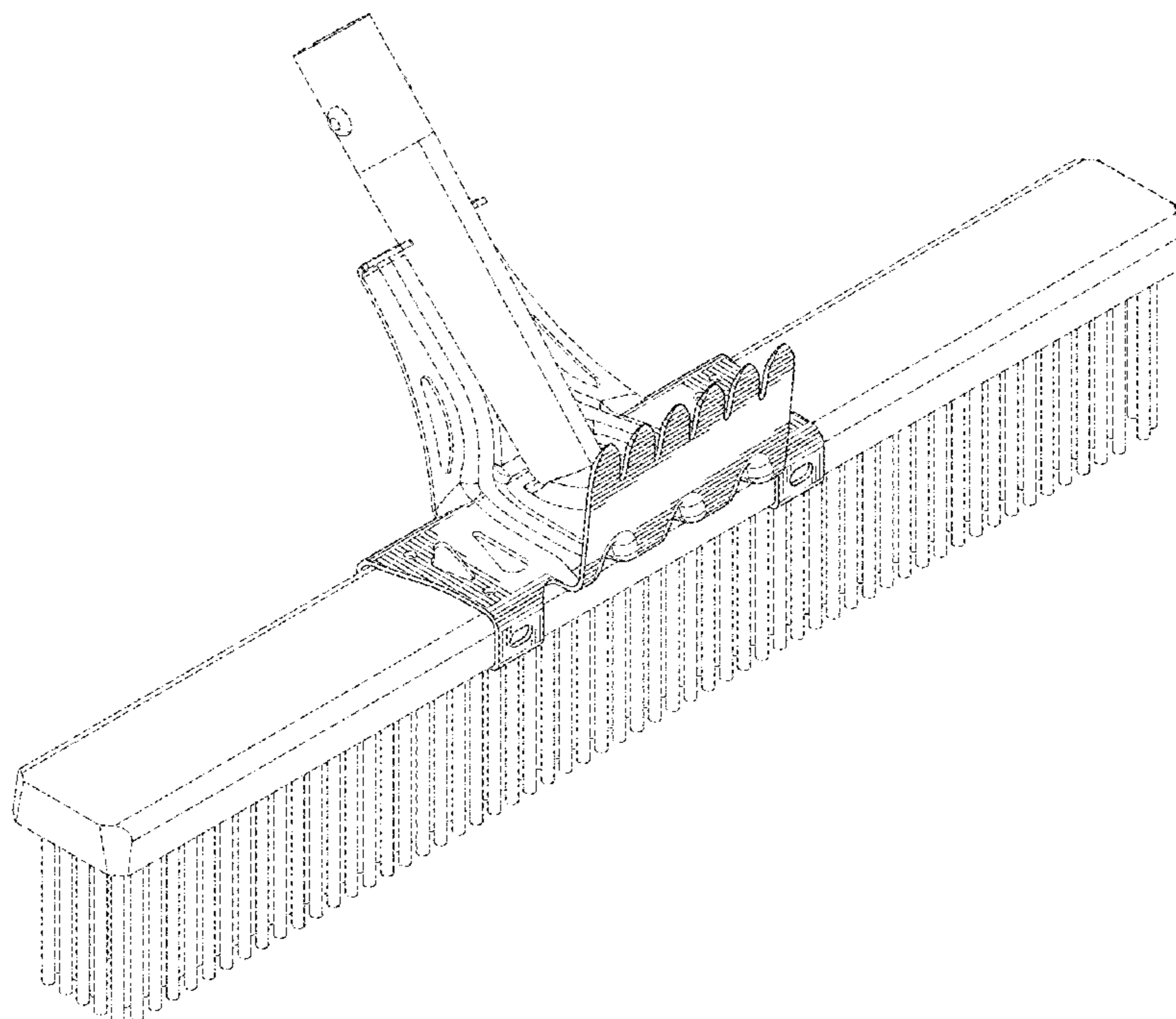
(56) **References Cited**

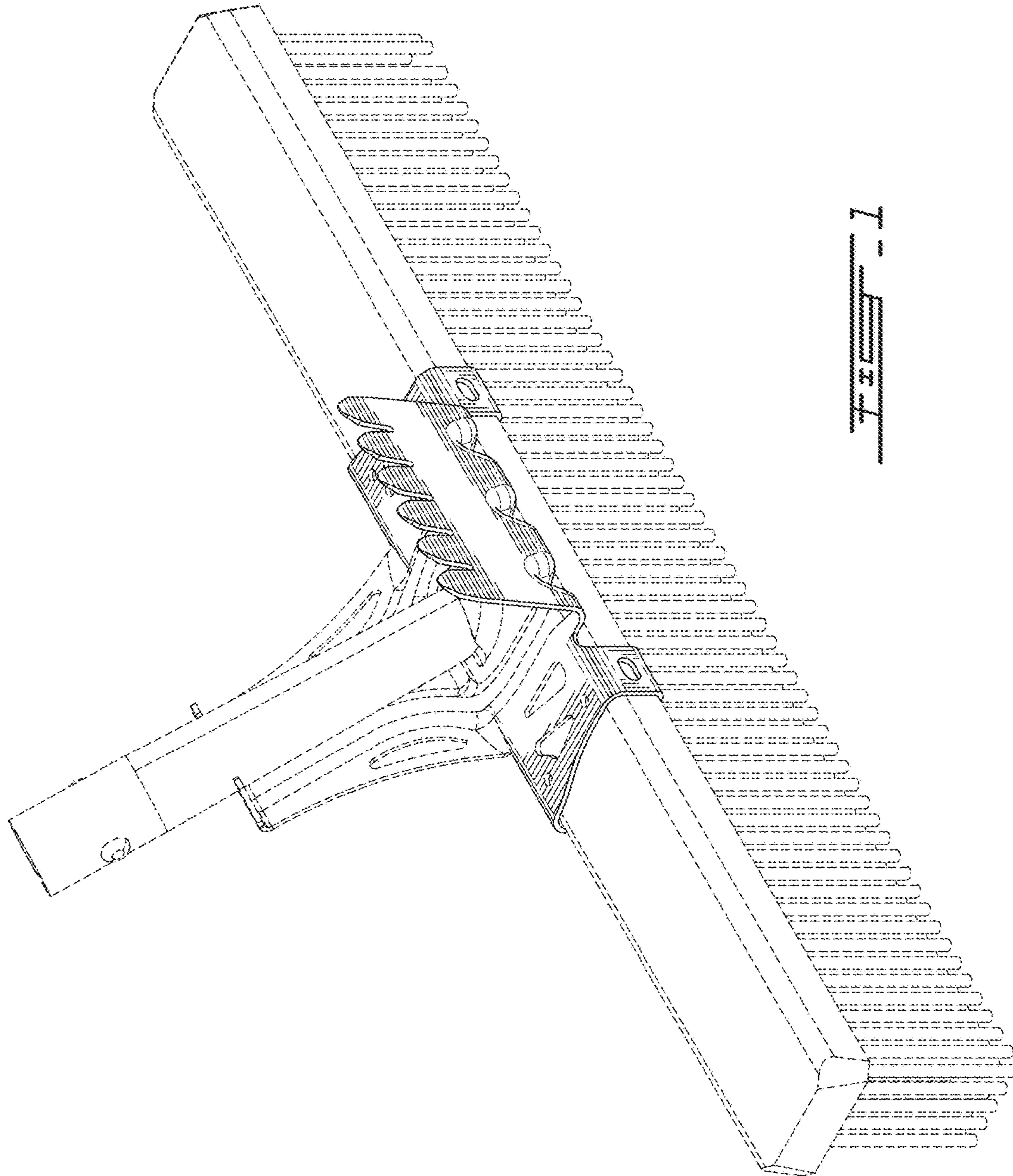
U.S. PATENT DOCUMENTS

1,143,090 A * 6/1915 Stiefel B25G 3/04
15/146
1,311,657 A * 7/1919 Levins B25G 3/04
15/146
5,123,138 A 6/1992 Flamm
5,870,794 A 2/1999 Harpell

FIG. 1 is a perspective front view of the nail puller brush; FIG. 2 is a front view of the nail puller brush of FIG. 1; FIG. 3 is a side view of the nail puller brush of FIG. 1; FIG. 4 is a top view of the nail puller brush of FIG. 1; FIG. 5 is a rear view of the nail puller brush of FIG. 1; and, FIG. 6 is a bottom view of the nail puller brush of FIG. 1. The broken lines do not form part of the claimed design.

1 Claim, 6 Drawing Sheets





1

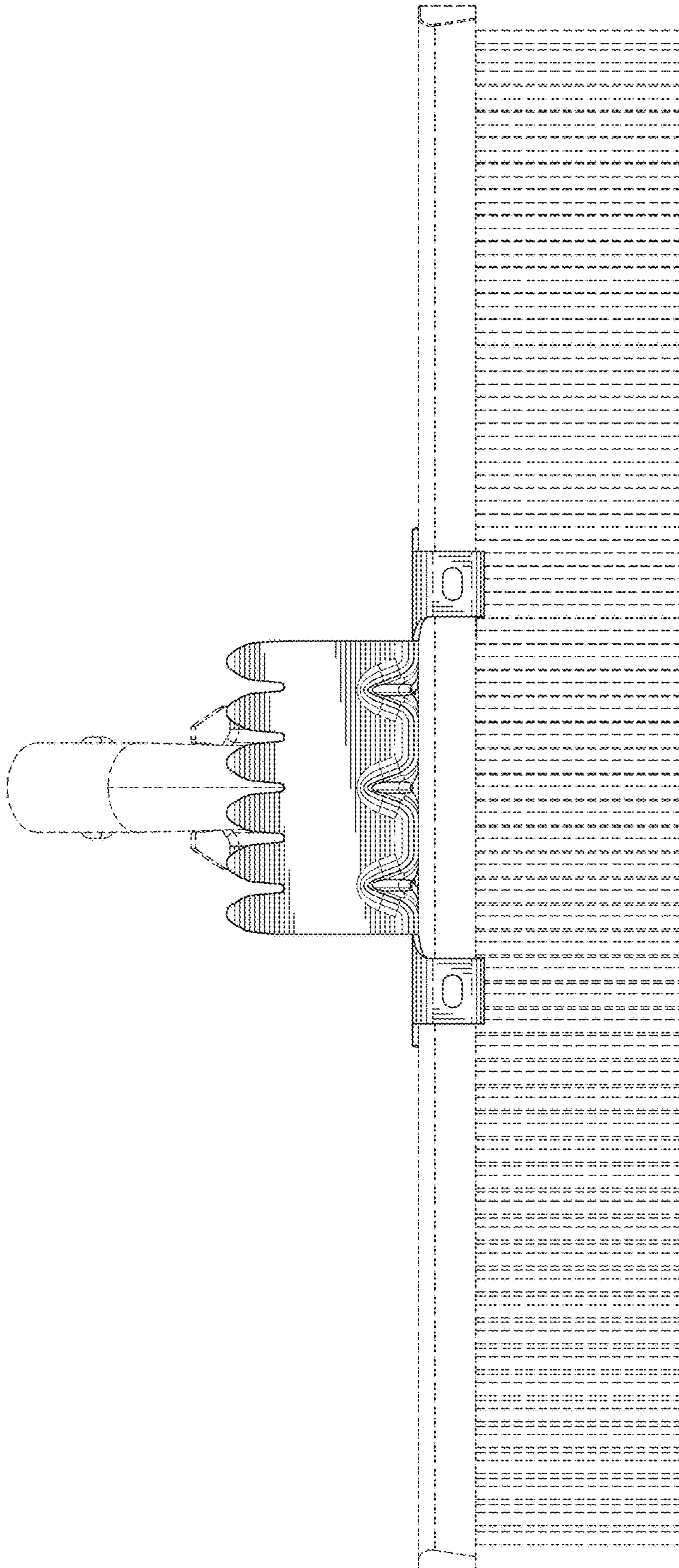


FIG. 2

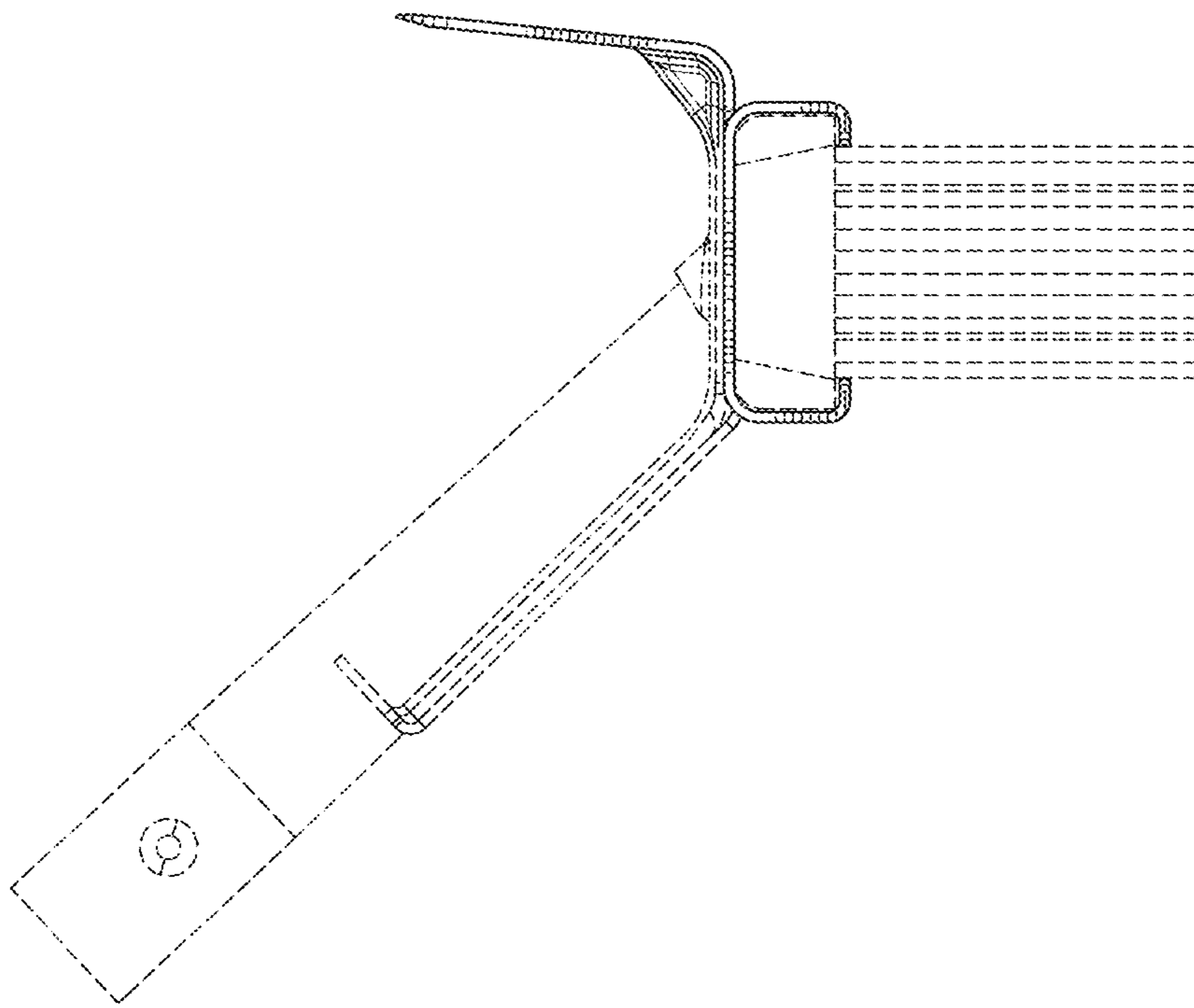


FIG. 3

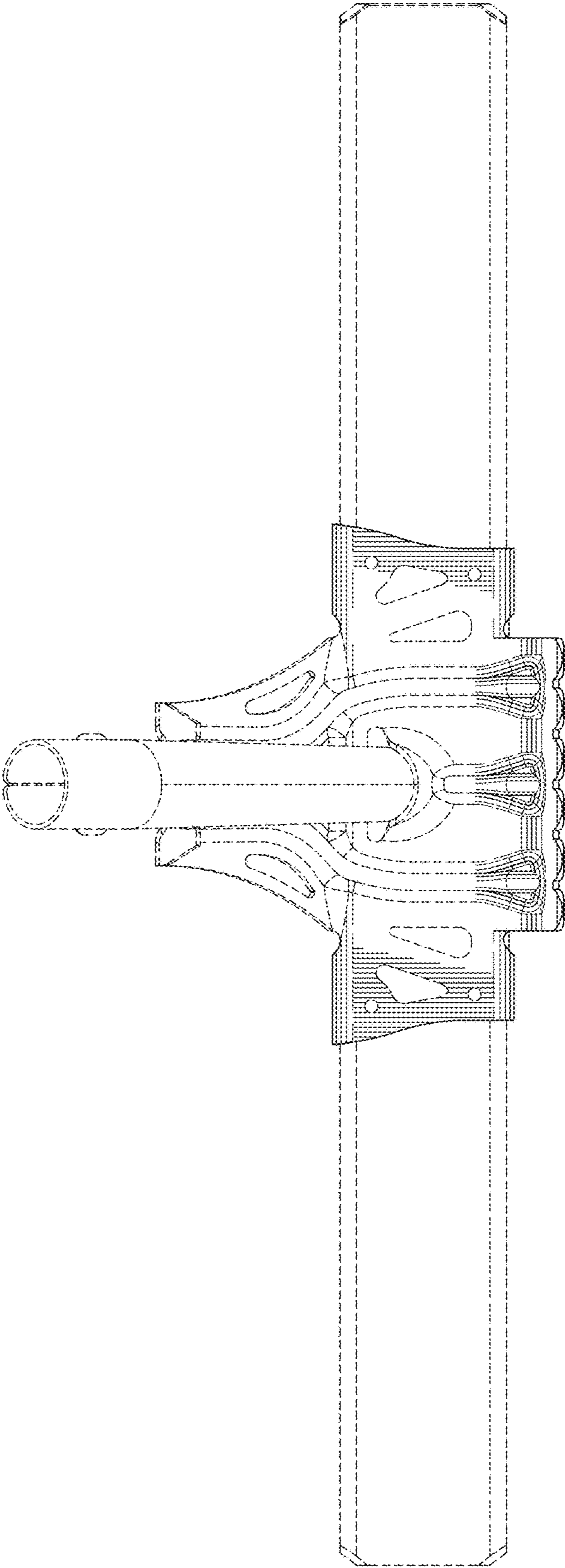


Fig. 4

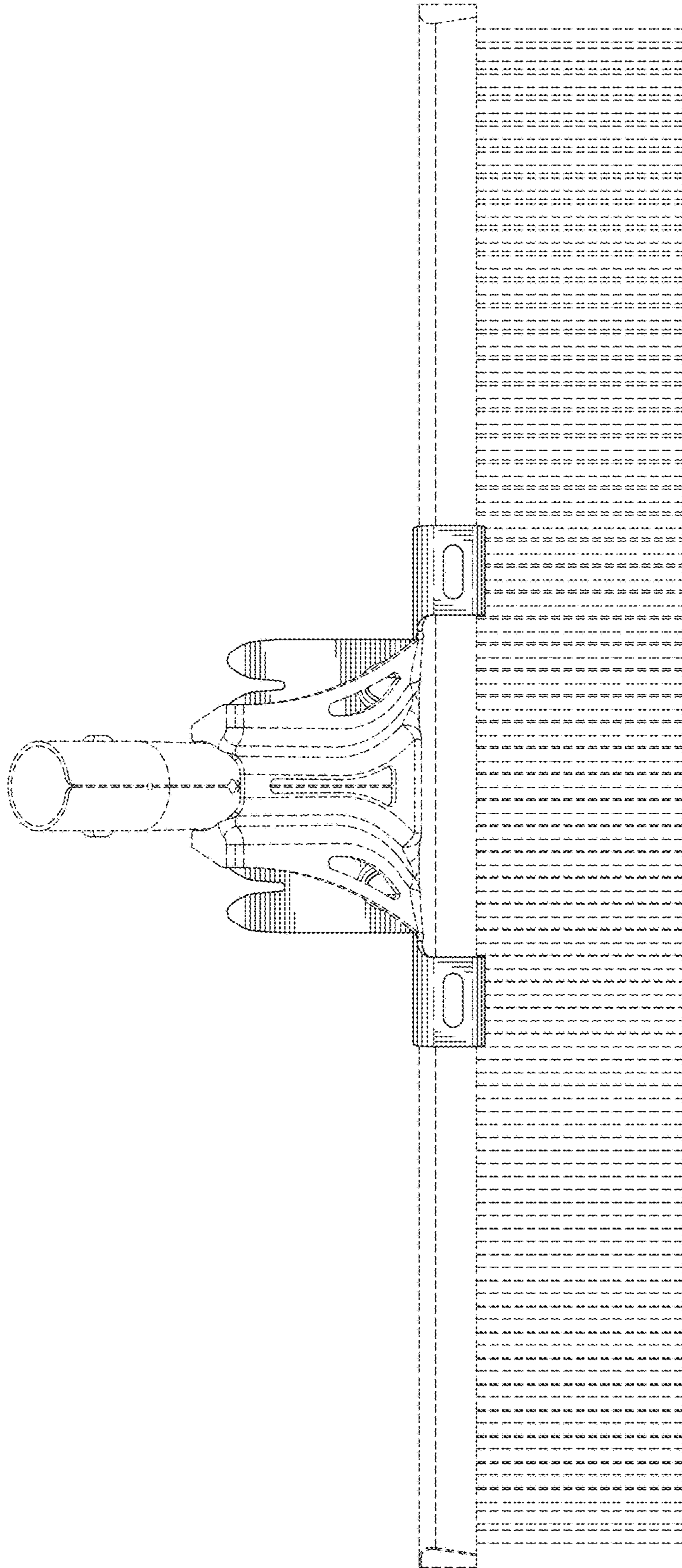


FIG. 5

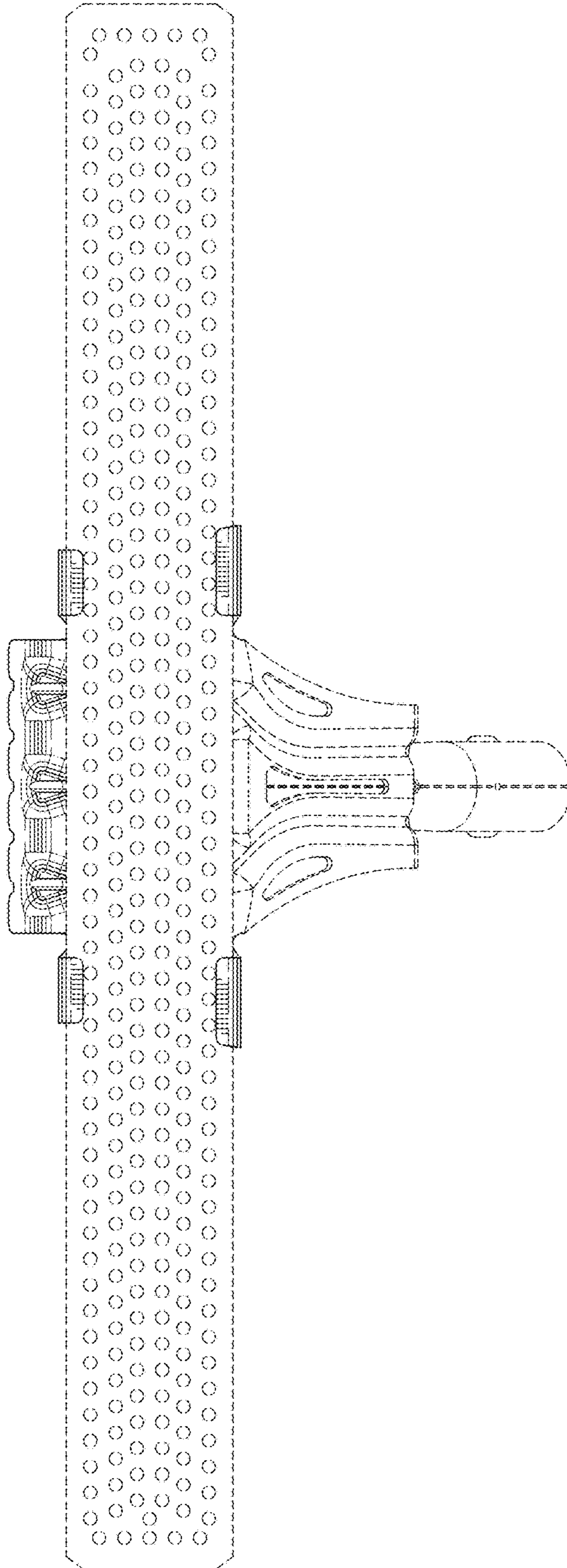


FIG. 6