



US00D782202S

(12) **United States Design Patent**  
**Machiorlette et al.**

(10) **Patent No.:** **US D782,202 S**  
(45) **Date of Patent:** **\*\* Mar. 28, 2017**

(54) **MAKEUP BRUSH**

(71) Applicant: **Worth Beauty, LLC**, Houston, TX  
(US)  
(72) Inventors: **Steven C. Machiorlette**, Houston, TX  
(US); **Carol Martin**, Atlanta, GA (US)  
(73) Assignee: **Worth Beauty, LLC**, Houston, TX  
(US)  
(\*\*) Term: **14 Years**

(21) Appl. No.: **29/516,895**  
(22) Filed: **Feb. 6, 2015**  
(51) **LOC (10) Cl.** ..... **04-02**  
(52) **U.S. Cl.**  
USPC ..... **D4/138; D4/127**  
(58) **Field of Classification Search**  
USPC ..... D4/127, 128, 130-135, 138, 199, 100,  
D4/102, 114, 116, 119, 120, 121,  
D4/124-126; D28/4, 7, 8, 9, 44, 45-49,  
D28/56-58, 62, 73, 76, 77, 84, 63;  
15/106, 207.2, 159.1, 160, 191.1, 204,  
15/DIG. 5, DIG. 6, 143.1, 167.1, 111.1,  
15/172, 176.1, 184, 167.3, 104.94, 110,  
15/192, 21.2, 30, 88.3, 98, 104.001, 105,  
15/112, 114, 144.1, 144.4, 145, 146, 149,  
15/153, 171, 176.2, 176.3, 176.4, 176.6,  
15/179, 182, 183, 185, 186, 187, 193,  
15/194, 198, 201, 202, 206, 246, 247,  
15/250.22, 250.31, 250.32, 250.39,  
15/240.41, 256.5, 256.52, 256.53, 257.01,  
15/257.6, 188; 132/200, 201, 212, 218,  
132/150, 73, 73.5, 75, 75.3, 76.2, 76.5,  
132/286, 289, 290, 293, 294, 297, 298,  
132/299, 313, 317, 318, 320, 333;  
401/126-281, 282, 288, 291, 111, 99,  
401/102, 107-109, 112, 119, 124, 292;

(Continued)

(56) **References Cited**

U.S. PATENT DOCUMENTS

2,913,750 A \* 11/1959 Aversa ..... A45D 40/28  
132/313  
4,040,753 A \* 8/1977 Griffith ..... A45D 34/042  
401/186  
5,197,496 A \* 3/1993 Nakamura ..... A45D 40/00  
132/200  
D370,126 S \* 5/1996 Pfanstiehl ..... D19/184  
6,056,470 A \* 5/2000 Nehashi ..... A45D 34/042  
401/176  
7,234,474 B2 \* 6/2007 Byun ..... A45D 34/02  
132/313

(Continued)

*Primary Examiner* — Susan Moon Lee  
(74) *Attorney, Agent, or Firm* — Brient Globerman, LLC

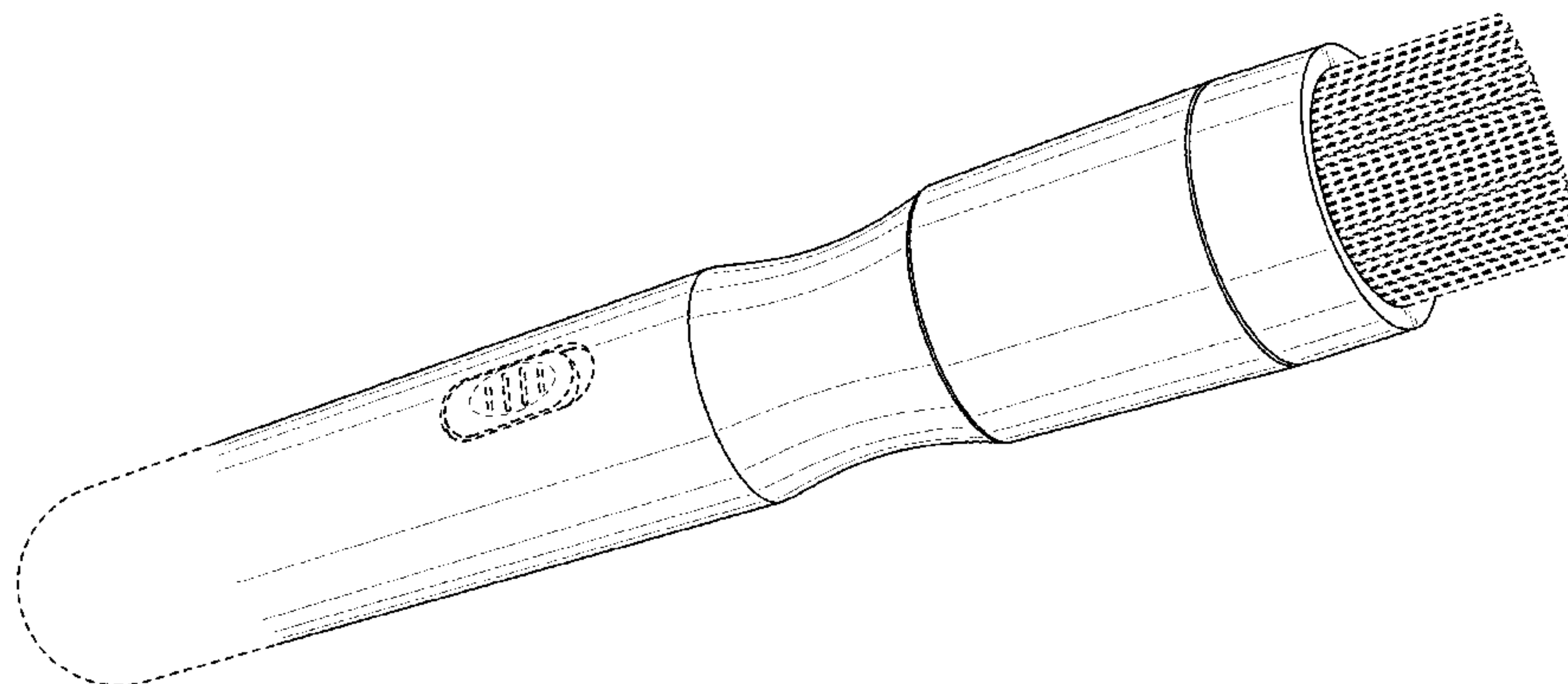
(57) **CLAIM**

We claim the ornamental design for a makeup brush, substantially as shown and described.

**DESCRIPTION**

FIG. 1 is a front perspective view of a makeup brush according to an embodiment of the present design with a switch, brush bristles, and a handle base shown in broken lines.  
FIG. 2 is a front elevation view of the makeup brush shown in FIG. 1.  
FIG. 3 is a rear elevation view of the makeup brush shown in FIG. 1.  
FIG. 4 is a left side elevation view of the makeup brush shown in FIG. 1.  
FIG. 5 is a right side elevation view of the makeup brush shown in FIG. 1.  
FIG. 6 is a top plan view of the makeup brush shown in FIG. 1; and,  
FIG. 7 is a bottom plan view of the makeup brush shown in FIG. 1.  
The broken lines and unshaded portions contained within broken lines illustratively depict elements of the makeup brush that form no part of the claimed design.

**1 Claim, 4 Drawing Sheets**



**(58) Field of Classification Search**

USPC ..... 300/1, 8, 17, 20, 21, 18, 19; 206/581;  
 601/154; 222/390, 92, 104, 107; 16/422,  
 16/429, 430, 110.1, 111.1; D19/125, 108,  
 D19/123, 115; D7/393, 395, 401.2;  
 D8/45, 80, 82, 83, 94, 107, 303, DIG. 7,  
 D8/DIG. 8; D32/51, 52; 30/340, 342,  
 30/343; 81/177.1, 489, 492  
 CPC .... A46B 3/00; A46B 3/10; A46B 3/12; A46B  
 3/22; A46B 5/00; A46B 5/0016; A46B  
 5/002; A46B 5/005; A46B 5/0054; A46B  
 5/0062; A46B 5/0075; A46B 5/0079;  
 A46B 5/0091; A46B 5/0095; A46B 5/02;  
 A46B 5/021; A46B 5/023; A46B 5/025;  
 A46B 5/026; A46B 5/028; A46B 7/00;  
 A46B 7/02; A46B 7/023; A46B 7/026;  
 A46B 7/04; A46B 7/042; A46B 7/044;  
 A46B 7/046; A46B 7/048; A46B 7/06;  
 A46B 9/00; A46B 9/02; A46B 9/021;  
 A46B 9/025; A46B 9/026; A46B 9/028;  
 A46B 9/045; A46B 9/06; A46B 9/065;  
 A46B 9/08; A46B 9/10; A46B 9/12;  
 A46B 11/00; A46B 11/0003; A46B  
 11/0006; A46B 11/001; A46B 11/0013;  
 A46B 11/0024; A46B 11/0027; A46B  
 11/0031; A46B 11/0062; A46B 11/0072;  
 A46B 11/0075; A46B 15/00; A46B  
 15/0016; A46B 15/0055; A46B 15/0065;  
 A46B 15/0069; A46B 15/0075; A46B  
 15/0085; A46B 15/0087; A46B 15/0089;  
 A46B 15/0095; A46B 15/0097; A45D  
 27/00; A45D 27/04; A45D 27/06; A45D  
 33/00; A45D 33/003; A45D 33/005;  
 A45D 33/006; A45D 33/02; A45D  
 33/025; A45D 33/16; A45D 33/18; A45D  
 33/26; A45D 33/28; A45D 33/34; A45D  
 33/36; A45D 34/042; A45D 34/043;  
 A45D 34/06; A45D 2033/001; A45D  
 40/00; A45D 40/02; A45D 40/023; A45D  
 40/04; A45D 40/06; A45D 40/12; A45D  
 40/18; A45D 40/20; A45D 40/205; A45D  
 40/262; A45D 40/28; A45D 2040/0006;  
 A45D 2040/105; A45D 2040/2012; A46D  
 1/02; A46D 1/00; A46D 1/0276; A46D  
 1/006; A46D 1/0207; A46D 1/023; A46D  
 1/0238; A46D 1/0261; A46D 1/0284;  
 A46D 1/0292; A46D 1/08; Y10T 16/44;  
 Y10T 16/444; B65D 83/00; B65D  
 83/0055; B65D 83/0011; B65D 83/0016;  
 B65D 83/0027; B65D 83/0033; B65D  
 83/0038; B65D 83/005

See application file for complete search history.

**(56) References Cited**

U.S. PATENT DOCUMENTS

7,275,885 B2 \* 10/2007 Byun ..... A45D 33/02  
 401/278  
 7,386,910 B2 \* 6/2008 Minkler ..... A47L 13/16  
 15/145  
 D627,975 S \* 11/2010 Chang ..... D4/138  
 D646,488 S \* 10/2011 Rennette ..... D4/116  
 D653,038 S \* 1/2012 Park ..... D4/128  
 D675,449 S \* 2/2013 Martin ..... D4/127  
 D685,191 S \* 7/2013 Martin ..... D4/127  
 8,668,401 B2 \* 3/2014 Francavilla ..... A45D 34/045  
 132/218  
 D730,062 S \* 5/2015 Lim ..... D4/138  
 D752,882 S \* 4/2016 Chang ..... D4/138  
 D757,441 S \* 5/2016 Hwang ..... D4/127  
 9,462,871 B2 \* 10/2016 Machiorlette ..... A45D 40/26  
 2002/0014246 A1 \* 2/2002 Choi ..... A45D 33/02  
 132/112  
 2006/0216104 A1 \* 9/2006 Bouix ..... A45D 34/04  
 401/270  
 2006/0289025 A1 \* 12/2006 Nevakshonoff ..... B24B 23/02  
 132/73.6  
 2007/0151061 A1 \* 7/2007 Mink ..... A46B 9/021  
 15/160  
 2008/0142032 A1 \* 6/2008 Liberty ..... B65D 81/3211  
 132/200  
 2008/0236607 A1 \* 10/2008 Lee ..... A45D 40/264  
 132/218  
 2009/0124985 A1 \* 5/2009 Hasenoehrl ..... A45D 34/04  
 604/289  
 2009/0183328 A1 \* 7/2009 King ..... A46B 5/0062  
 15/143.1  
 2010/0043815 A1 \* 2/2010 Levy ..... A46B 7/023  
 132/200  
 2010/0095973 A1 \* 4/2010 Shrier ..... A46B 7/04  
 132/200  
 2010/0310298 A1 \* 12/2010 Tsai ..... A45D 33/36  
 401/143  
 2011/0284019 A1 \* 11/2011 Fairweather ..... A45D 33/36  
 132/200  
 2012/0152272 A1 \* 6/2012 Solovey ..... A45D 2/002  
 132/242  
 2012/0260931 A1 \* 10/2012 Martin ..... A46B 13/02  
 132/200  
 2012/0298130 A1 \* 11/2012 Telwar ..... A46B 3/08  
 132/317  
 2013/0014338 A1 \* 1/2013 Park ..... A46B 9/021  
 15/176.6  
 2014/0166041 A1 \* 6/2014 King ..... A46B 9/021  
 132/320  
 2015/0272301 A1 \* 10/2015 Schreiber ..... A46B 3/18  
 401/129  
 2015/0272302 A1 \* 10/2015 Schreiber ..... A46B 3/18  
 401/129  
 2016/0083153 A1 \* 3/2016 Apodaca ..... A45D 34/045  
 401/129  
 2016/0324306 A1 \* 11/2016 Martin ..... A46B 13/02

\* cited by examiner



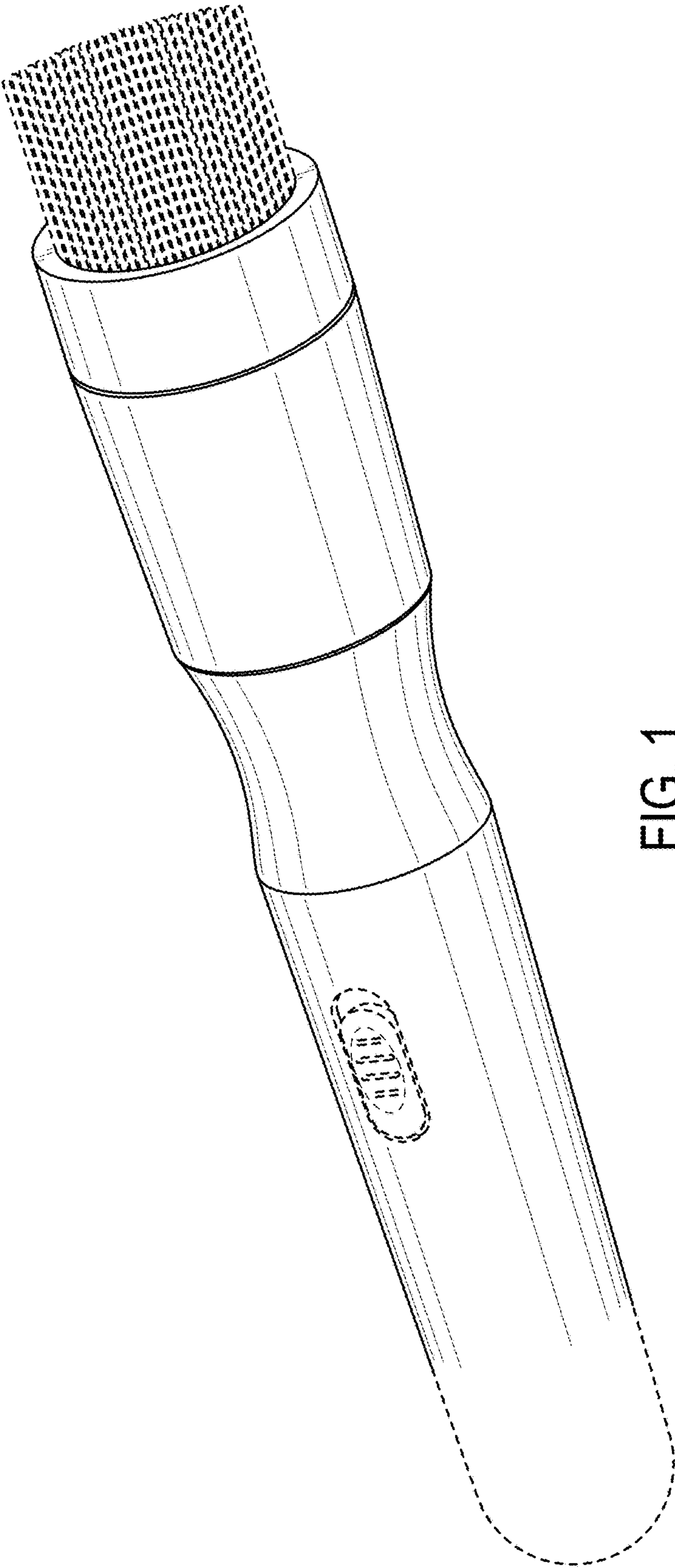


FIG. 1

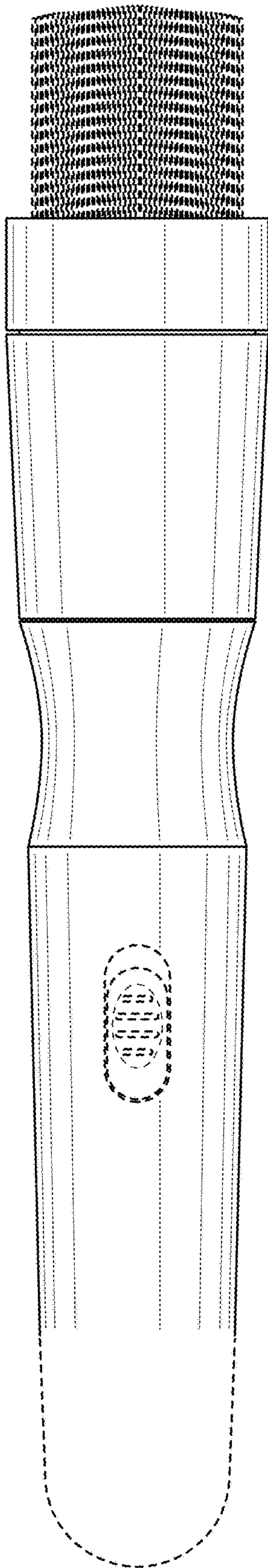


FIG. 2

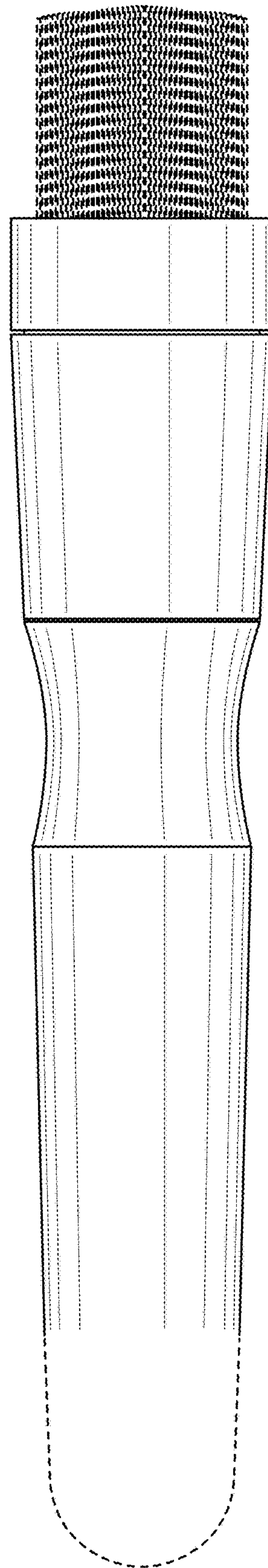


FIG. 3

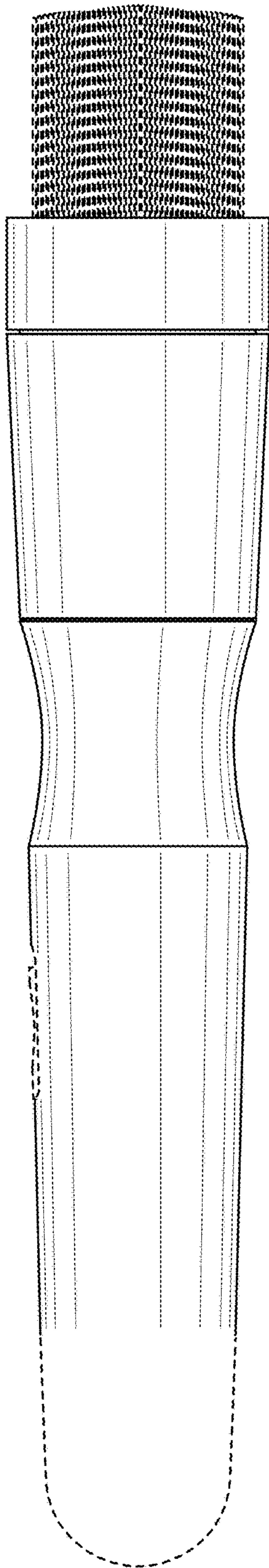


FIG. 4

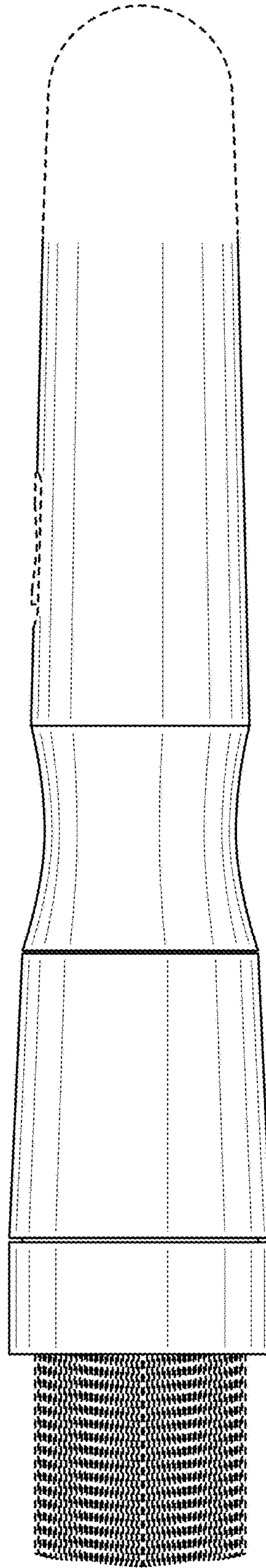


FIG. 5

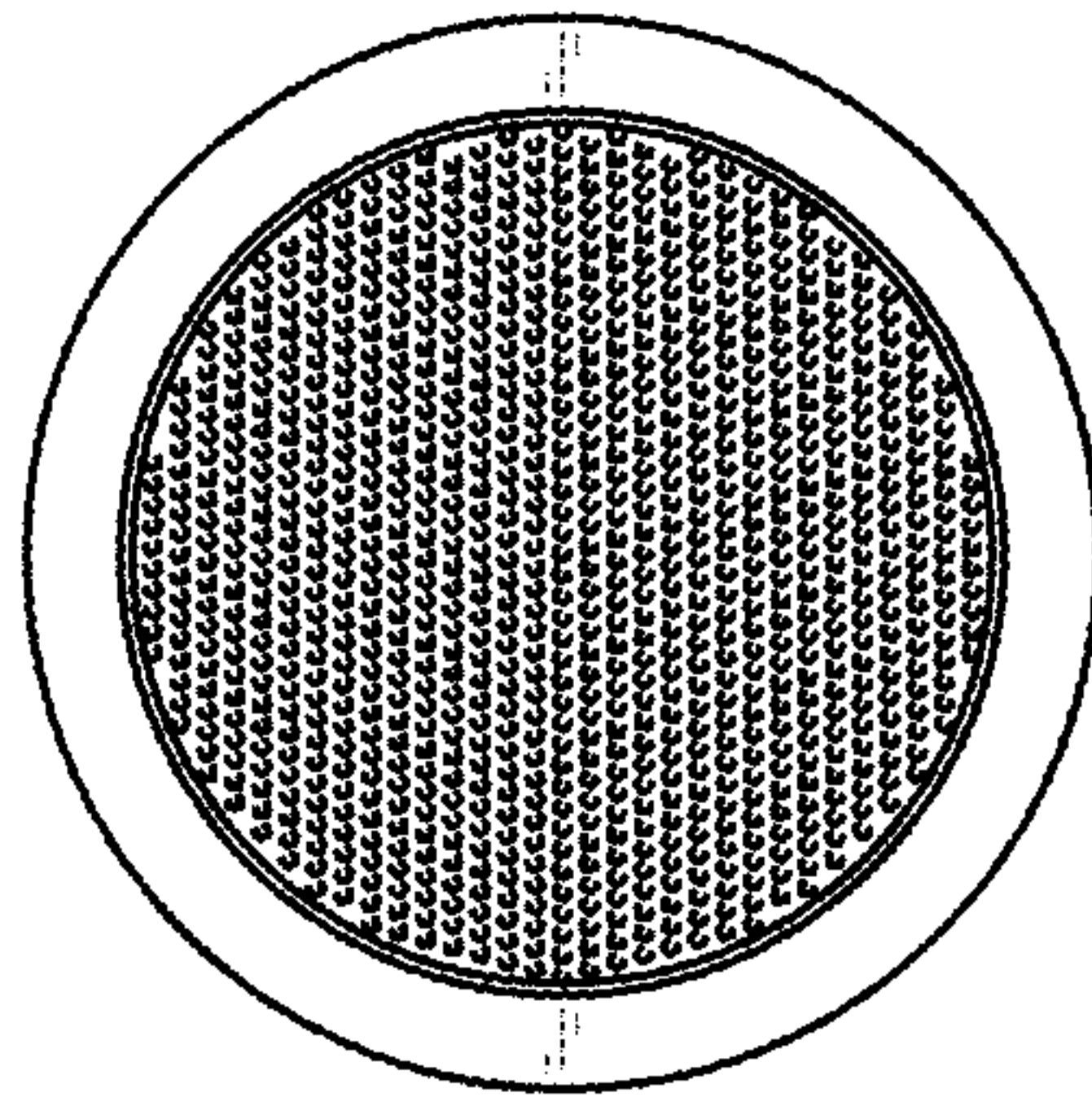


FIG. 6

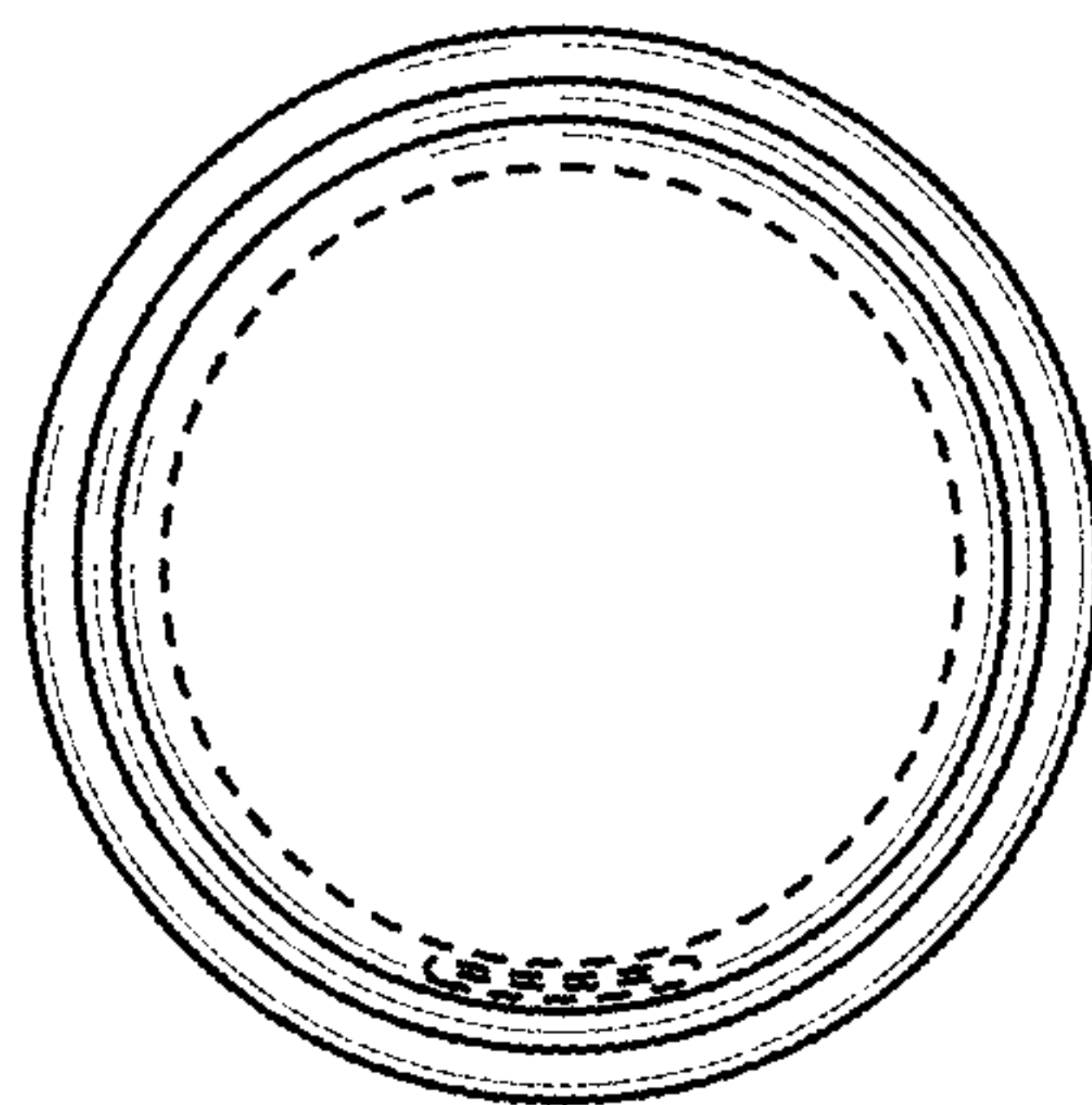


FIG. 7