



US00D782197S

(12) **United States Design Patent**
Kern et al.

(10) **Patent No.:** **US D782,197 S**
(45) **Date of Patent:** **** Mar. 28, 2017**

(54) **TREATMENT BRUSH HEAD**
(71) Applicant: **NSE Products, Inc.**, Provo, UT (US)
(72) Inventors: **Dale G. Kern**, Hyde Park, UT (US);
Matthew James Herd, Cambridgeshire
(GB); **Charles Frazer Kilby**,
Cambridgeshire (GB)

3,968,789 A 7/1976 Simoncini
4,027,348 A 6/1977 Flowers
4,249,521 A 2/1981 Gueret
(Continued)

FOREIGN PATENT DOCUMENTS

DE 1757913 A1 6/1971
DE 20103026 8/2001
(Continued)

(73) Assignee: **NSE Products, Inc.**, Provo, UT (US)

(**) Term: **15 Years**

OTHER PUBLICATIONS

International PCT Search Report and Written Opinion for Application No. PCT/US2016/046738 Mailed Dec. 1, 2016.

(Continued)

(21) Appl. No.: **29/536,114**

(22) Filed: **Aug. 13, 2015**

Primary Examiner — John Windmuller

(51) **LOC (10) Cl.** **04-02**

Assistant Examiner — Steven Czyz

(52) **U.S. Cl.**

(74) *Attorney, Agent, or Firm* — Dorsey & Whitney LLP

USPC **D4/127**

(58) **Field of Classification Search**

(57) **CLAIM**

USPC D4/100, 102, 115, 117, 118, 123, 124,
D4/127, 136, 137, 199; D24/127, 133,
D24/144, 146, 214, 215; D6/583-585;
D28/63; 601/109, 112, 114; 604/20;
607/50, 75, 98, 99, 96

We claim the ornamental design for a treatment brush head,
as shown and described.

CPC B08B 6/00; A47L 13/40; A47L 11/4041;
A46B 3/08; A46B 5/0075; A46B 13/008;
A46D 1/00

DESCRIPTION

See application file for complete search history.

FIG. 1 is an isometric view of a treatment brush head.
FIG. 2 is a top view of the treatment brush head of FIG. 1.
FIG. 3 is a front elevation view of the treatment brush head
of FIG. 1.

(56) **References Cited**

U.S. PATENT DOCUMENTS

1,913,462 A * 6/1933 Timar A61H 7/003
601/135
2,480,023 A 8/1949 Holden
2,682,675 A * 7/1954 Prucha A46B 13/06
15/180
2,764,773 A 10/1956 Wise
3,906,940 A 9/1975 Kawada

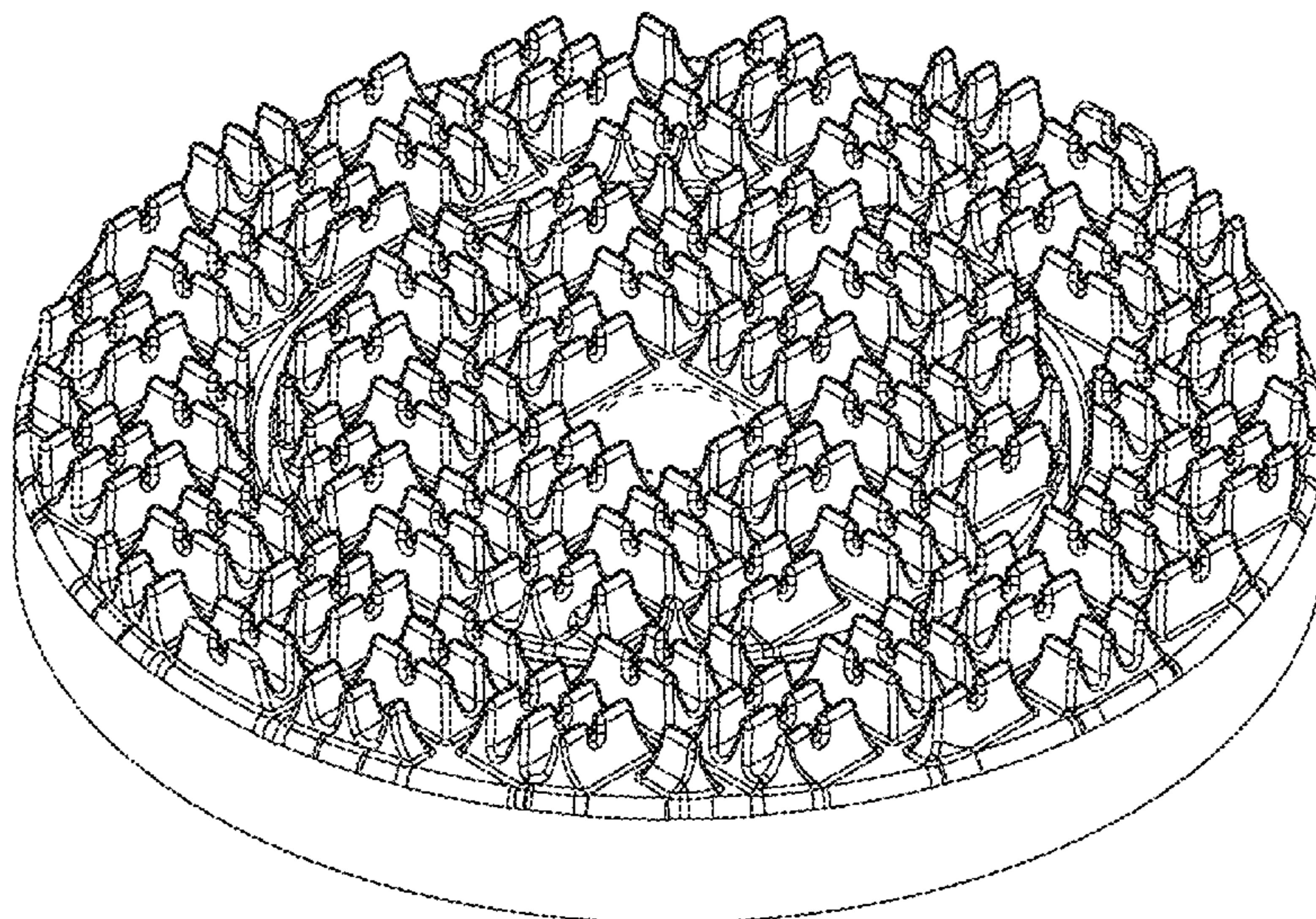
FIG. 4 is a rear elevation view of the treatment brush head
of FIG. 1.

FIG. 5 is a left-side elevation view of the treatment brush
head of FIG. 1; and,

FIG. 6 is a right-side elevation view of the treatment brush
head of FIG. 1.

The broken lines in the drawings are for the purposes of
illustrating environment only and form no part of the
claimed design.

1 Claim, 6 Drawing Sheets



(56)

References Cited

U.S. PATENT DOCUMENTS

D262,672 S * 1/1982 Chase D24/211
 4,343,265 A * 8/1982 Belschner A01K 13/002
 119/625
 4,463,485 A 8/1984 Gueret
 D285,131 S * 8/1986 Wilkeson D30/158
 D321,434 S * 11/1991 Strickler D30/158
 5,176,130 A 1/1993 Kim
 D333,730 S * 3/1993 Martin D30/158
 D333,922 S * 3/1993 Strickler D30/158
 5,228,165 A * 7/1993 Westberry A47K 7/024
 15/160
 D342,319 S * 12/1993 Cheng D24/200
 D344,137 S * 2/1994 Yoo D24/200
 D351,947 S * 11/1994 Fitzgerald D28/63
 D357,322 S * 4/1995 Matthews D24/200
 D369,447 S * 4/1996 Mann D32/19
 D370,124 S * 5/1996 Chamieh D4/115
 D409,337 S * 5/1999 Johnson, Jr. D28/63
 6,076,222 A * 6/2000 Jolly A63B 57/60
 15/161
 6,267,736 B1 7/2001 McCambridge
 D460,554 S * 7/2002 Park D24/133
 6,424,862 B1 * 7/2002 Brown, III A61N 1/0424
 604/174
 D462,483 S * 9/2002 Campbell D28/63
 6,588,964 B1 7/2003 Au
 D479,336 S * 9/2003 La Bianco D24/215
 D514,328 S 2/2006 Huang
 7,194,316 B2 * 3/2007 Bousfield A61N 1/322
 433/29
 D539,916 S * 4/2007 Baldachini D24/200
 D545,970 S * 7/2007 Eknoian D24/189
 D545,971 S * 7/2007 Eknoian D24/189
 D548,339 S * 8/2007 Stonier D24/133
 D555,407 S * 11/2007 Lan D6/583
 D567,387 S * 4/2008 Nan D24/215
 7,384,377 B2 6/2008 Berman
 7,386,906 B2 * 6/2008 Roth A46B 13/06
 15/21.1
 7,395,110 B2 * 7/2008 Hofmann A61N 1/0424
 604/20
 7,786,626 B2 * 8/2010 Reishus H02K 33/16
 15/22.1
 D646,795 S 10/2011 Seehoff
 D661,811 S * 6/2012 Ferguson D24/200
 D671,281 S * 11/2012 Singer D30/158
 8,523,791 B2 9/2013 Castel
 D699,903 S * 2/2014 Singer D30/159
 8,679,039 B2 3/2014 Tieu
 8,745,807 B2 6/2014 Varner
 D715,553 S * 10/2014 Brewer D4/102
 D720,933 S * 1/2015 Albers D4/120
 D726,418 S * 4/2015 Gruber D4/104
 9,032,576 B2 5/2015 Zelickson et al.
 D740,033 S * 10/2015 Gruber D4/104
 D753,399 S * 4/2016 Owen D4/100
 2005/0059914 A1 3/2005 Kleinhenz
 2005/0113725 A1 5/2005 Masuda
 2005/0142093 A1 6/2005 Skover
 2005/0277950 A1 12/2005 Pilcher
 2005/0278877 A1 12/2005 Akridge
 2006/0010630 A1 1/2006 Tse

2006/0058714 A1 3/2006 Rhoades
 2006/0276731 A1 12/2006 Thiebaut
 2007/0142845 A1 6/2007 Akridge
 2007/0179412 A1 8/2007 Imboden
 2008/0005860 A1 * 1/2008 Niizaki A46D 1/00
 15/207.2
 2008/0119913 A1 5/2008 Powell
 2008/0125682 A1 5/2008 Bonneyrat
 2008/0167590 A1 7/2008 Jon
 2008/0222822 A1 9/2008 Cobabe et al.
 2008/0295268 A1 * 12/2008 Lei A46B 5/0095
 15/146
 2009/0198159 A1 8/2009 Linzell
 2009/0318853 A1 12/2009 Reed
 2010/0217357 A1 8/2010 Da Silva
 2010/0262051 A1 10/2010 De Laforcade
 2011/0118655 A1 * 5/2011 Fassih A61N 1/044
 604/20
 2011/0184499 A1 7/2011 Radi
 2011/0251537 A1 10/2011 Yeo
 2012/0121313 A1 5/2012 Thiebaut
 2012/0165708 A1 6/2012 Parsloe
 2012/0165710 A1 6/2012 Nichols
 2012/0209151 A1 8/2012 Zhou
 2013/0023805 A1 * 1/2013 Ungemach A61H 7/005
 601/114
 2013/0023806 A1 * 1/2013 Ungemach A61H 7/005
 601/114
 2013/0046212 A1 2/2013 Nichols
 2013/0079689 A1 3/2013 Thierman
 2015/0359324 A1 * 12/2015 Brewer A46B 15/001
 15/22.1

FOREIGN PATENT DOCUMENTS

WO WO 03/075712 9/2003
 WO WO 2009/136911 11/2009
 WO 2013077284 A1 5/2013
 WO WO 2013/077284 5/2013
 WO WO 2013/132363 9/2013
 WO WO 2013/132364 9/2013
 WO WO 2014/024084 2/2014
 WO 2014118596 A1 8/2014
 WO WO 2014/118596 8/2014

OTHER PUBLICATIONS

Face Scrub Brush & Anti Aging Skin Care | LUNA™ by FOREO
 downloaded from <https://www.foreo.com/luna>, 5 pages, Jan. 21,
 2016.
 The Moodie Report, “Clinique advocates ‘fitness for the face’ with
 new Sculptwear range”, downloaded from https://www.moodiereport.com/document.php?doc_id=43808, 2 pages, pub-
 lished Sep. 6, 2015.
 Proactiv Advertisement—Deep Cleansing Brush, <https://www1.proactiv.com>, 1 page, date unknown.
 X Out Wash in Treatment—Acne Treatment for Teens I X Out™,
 downloaded from <https://www.xout.com/specialoffer/>, 1 page, Oct.
 27, 2015.
 International Search Report mailed Jan. 15, 2016 for PCT/US2015/
 045040 filed Aug. 13, 2015, 22 pages.

* cited by examiner

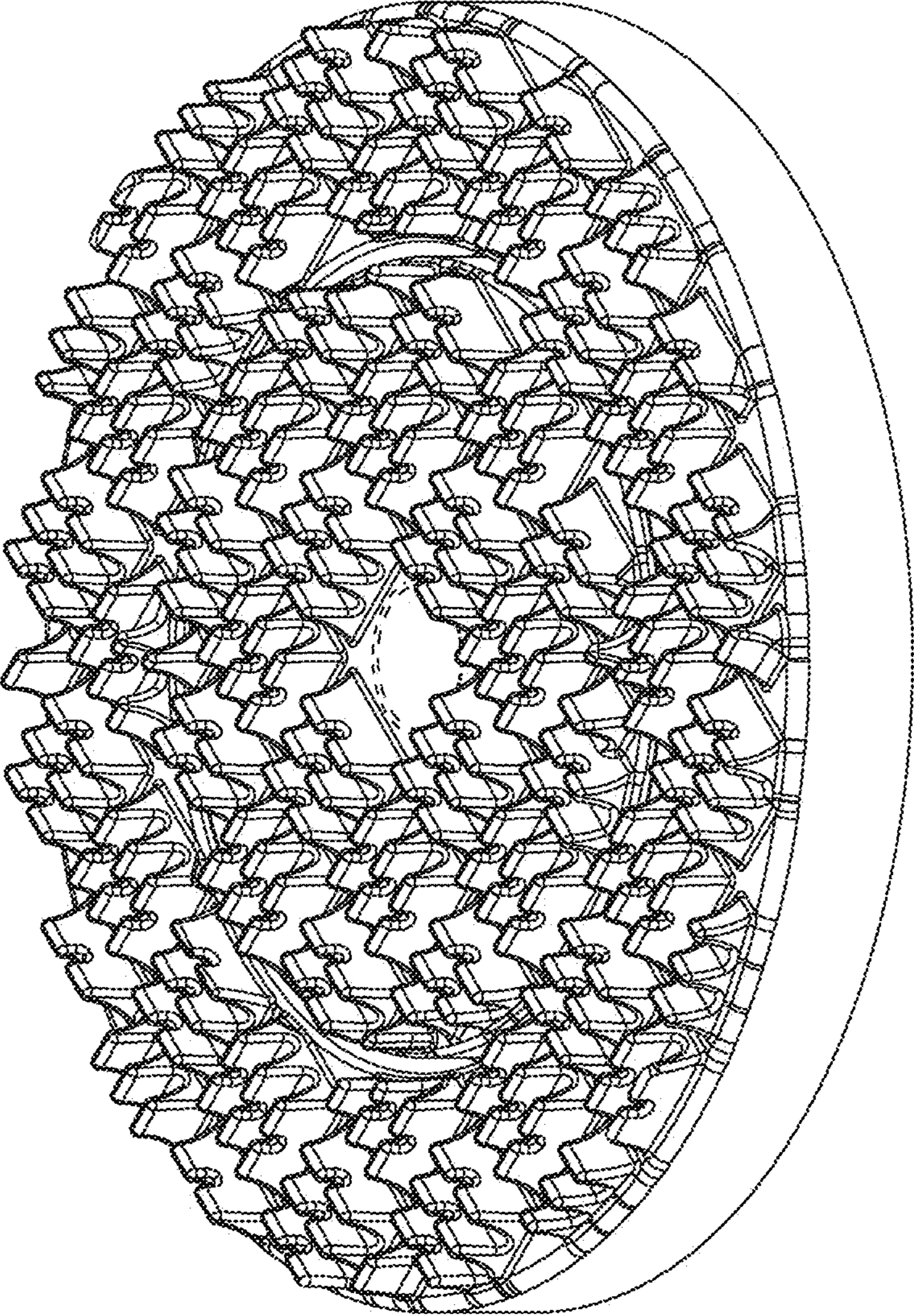


FIG. 1

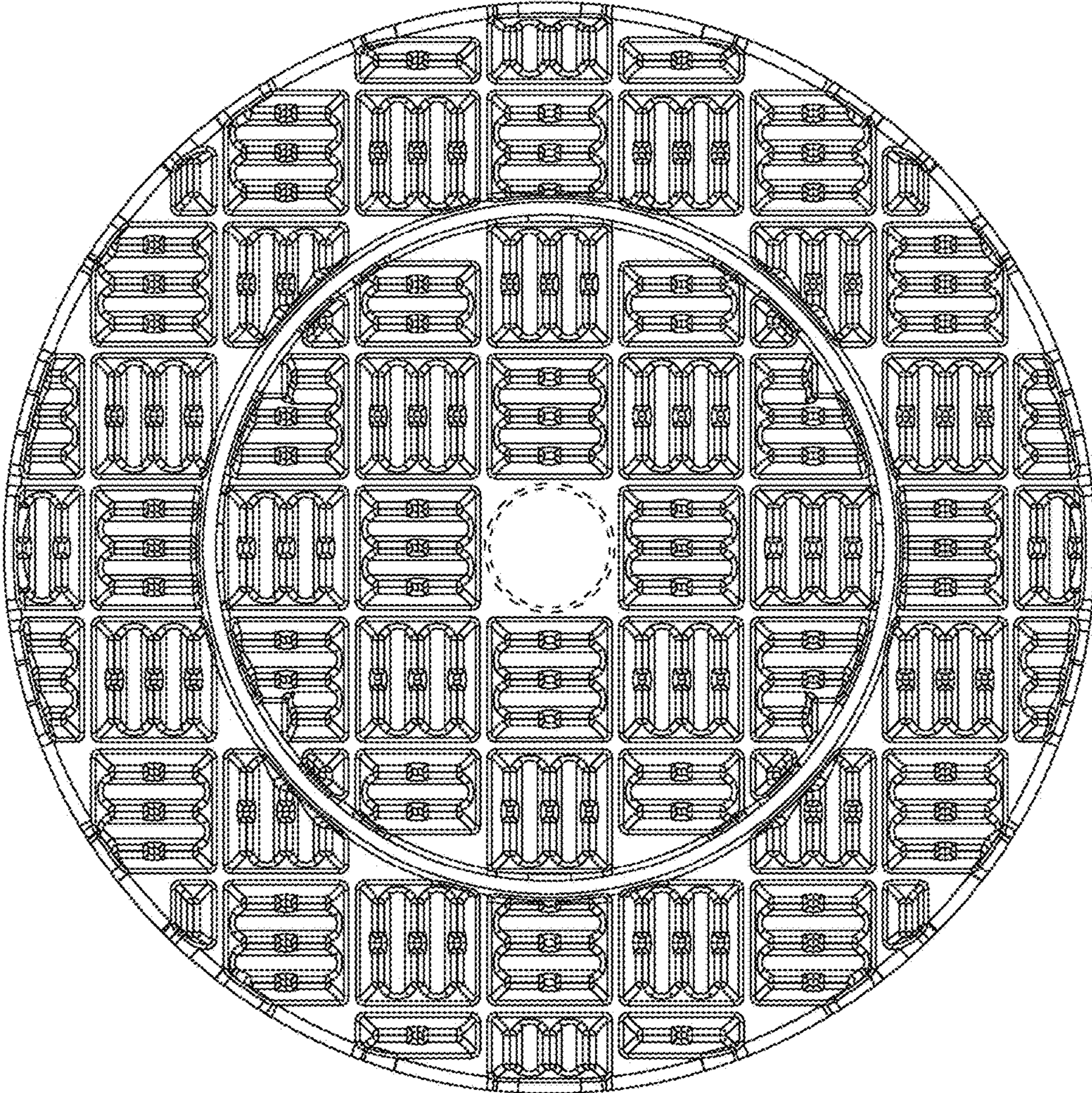


FIG. 2

FIG. 3

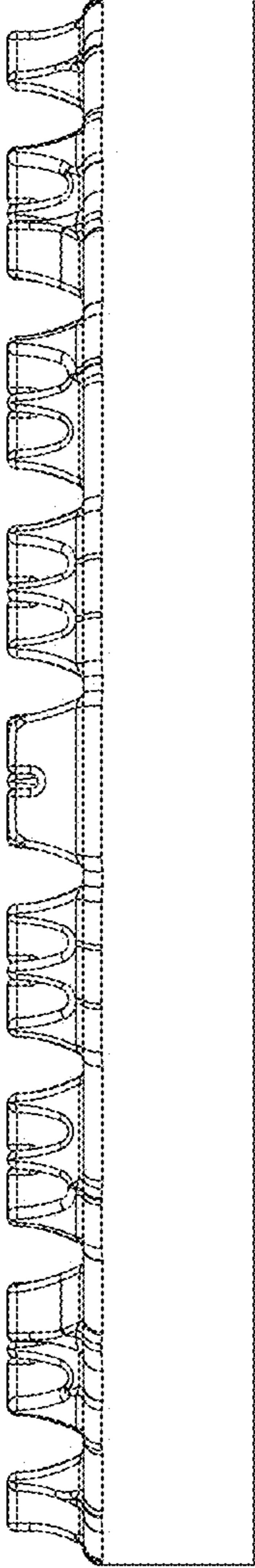


FIG. 4

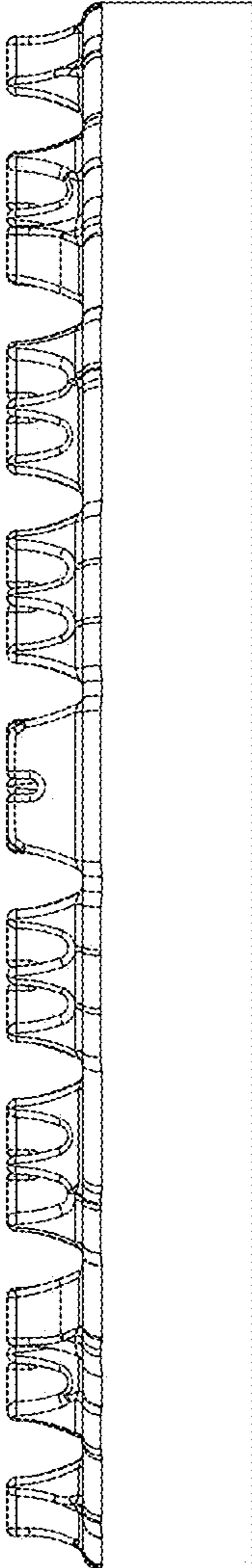


FIG. 5

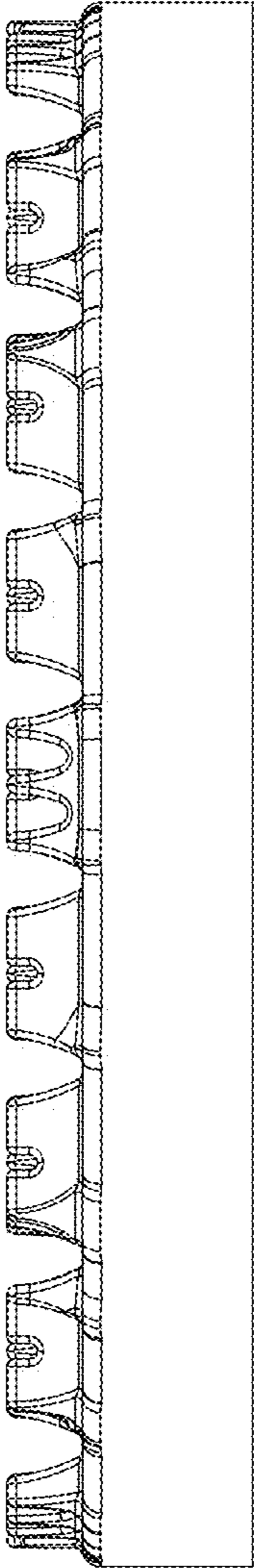
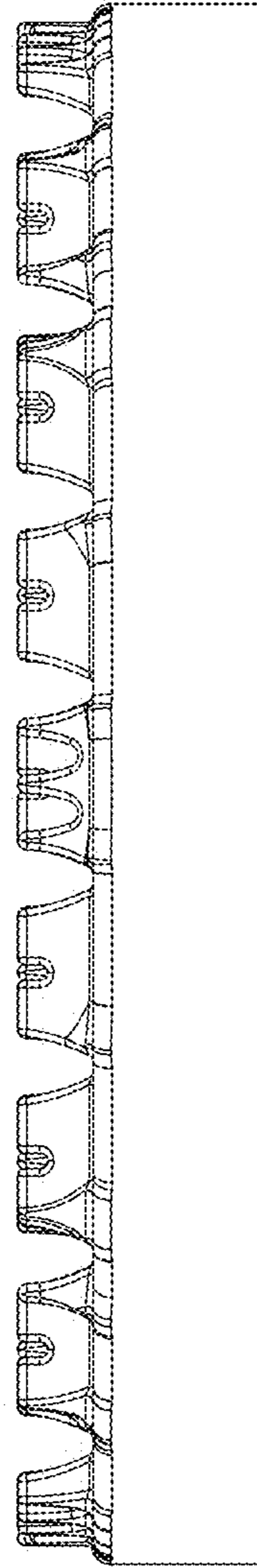


FIG. 6



UNITED STATES PATENT AND TRADEMARK OFFICE
CERTIFICATE OF CORRECTION

PATENT NO. : D782,197 S
APPLICATION NO. : 29/536114
DATED : March 28, 2017
INVENTOR(S) : Dale G. Kern

Page 1 of 1

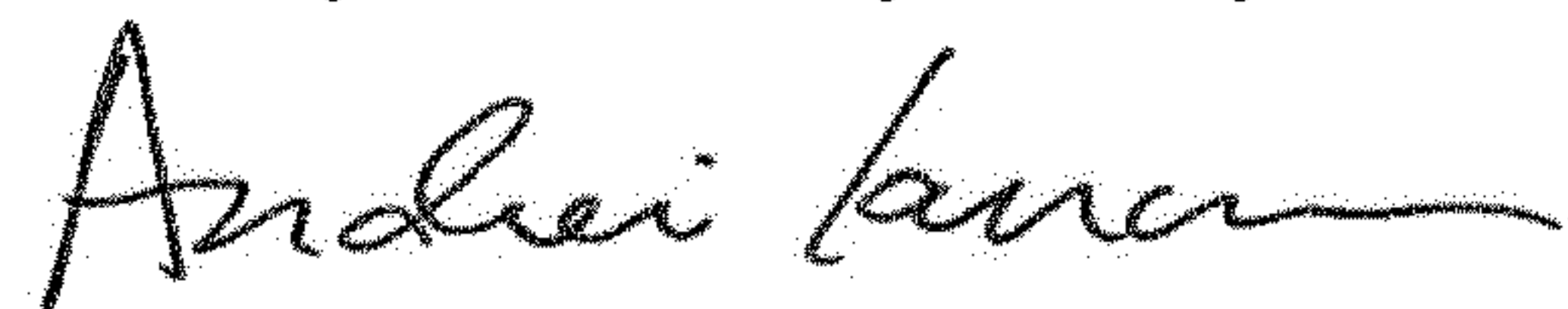
It is certified that error appears in the above-identified patent and that said Letters Patent is hereby corrected as shown below:

On the Title Page

Below Item (22), insert Item (60):

--(60) Related U.S. Application Data
Provisional Application No. 62/036785 filed
August 13, 2014, and U.S. Non-provisional
Patent Application No. 14/825,316,
filed August 13, 2015.--

Signed and Sealed this
Twenty-fourth Day of July, 2018



Andrei Iancu
Director of the United States Patent and Trademark Office