



US00D782193S

(12) **United States Design Patent**  
**Jose**

(10) **Patent No.:** **US D782,193 S**  
(45) **Date of Patent:** **\*\* Mar. 28, 2017**

(54) **SUITCASE**

- (71) Applicant: **Boban Jose**, San Ramon, CA (US)
- (72) Inventor: **Boban Jose**, San Ramon, CA (US)
- (\*\*) Term: **14 Years**
- (21) Appl. No.: **29/518,548**
- (22) Filed: **Feb. 25, 2015**
- (51) **LOC (10) Cl.** ..... **03-01**
- (52) **U.S. Cl.**  
USPC ..... **D3/279; D3/283; D3/289**
- (58) **Field of Classification Search**  
USPC ..... D3/272, 273, 274, 276, 279, 282, 285,  
D3/289, 290, 294, 299, 301, 302, 900,  
D3/902  
CPC ..... A45C 2003/007; A45C 3/00; A45C 3/001;  
A45C 2003/002; A45C 13/02; A45C  
13/385; A45C 5/02  
See application file for complete search history.

(56) **References Cited**

**U.S. PATENT DOCUMENTS**

D435,967 S *	1/2001	Tiramani	.....	D3/273
D446,936 S *	8/2001	Sanderson	.....	D3/276
D502,811 S *	3/2005	Premper	.....	D3/273
D525,031 S	7/2006	Miles et al.		
D548,461 S *	8/2007	Bettua	.....	D3/279
D550,964 S	9/2007	Bettua et al.		
D639,555 S *	6/2011	Moon	.....	D3/279
D644,434 S *	9/2011	Miles	.....	D3/279
D644,436 S *	9/2011	Buller	.....	D3/279
D672,955 S	12/2012	Benshetrit		
D690,510 S *	10/2013	Fux	.....	D3/270
D720,533 S *	1/2015	Kao	.....	D3/274
D731,181 S *	6/2015	Majeau	.....	D3/279
D731,796 S *	6/2015	Tong	.....	D3/279
D742,638 S *	11/2015	Melanson	.....	D3/274
D743,168 S	11/2015	Niu et al.		
D743,698 S	11/2015	Vecchia		
2014/0360831 A1 *	12/2014	Kao	.....	A45C 3/004 190/108

**OTHER PUBLICATIONS**

Kickstarter, "Barracuda Collapsible Luggage", Accessed Mar. 1, 2016. Kickstarter launch date Apr. 14, 2015. (<https://www.kickstarter.com/projects/barracuda/barracuda-collapsible-luggage-tray-gps-usb-charger/description>).\*

Trunkster.co, "Trunkster: Unconventional Luggage", Accessed Mar. 1, 2016. ([www.trunkster.co/](http://www.trunkster.co/)).\*

\* cited by examiner

*Primary Examiner* — Jennifer Rivard

*Assistant Examiner* — April Rivas

(74) *Attorney, Agent, or Firm* — Ilya Libenzon; Krista S. Jacobsen

(57) **CLAIM**

What is claimed is the ornamental design for a suitcase, as shown and described.

**DESCRIPTION**

FIG. 1 is a perspective view of the suitcase according to the present invention;

FIG. 2 is a front view of the suitcase according to the present invention;

FIG. 3 is a rear view of the suitcase according to the present invention;

FIG. 4 is a side view of the suitcase according to the present invention;

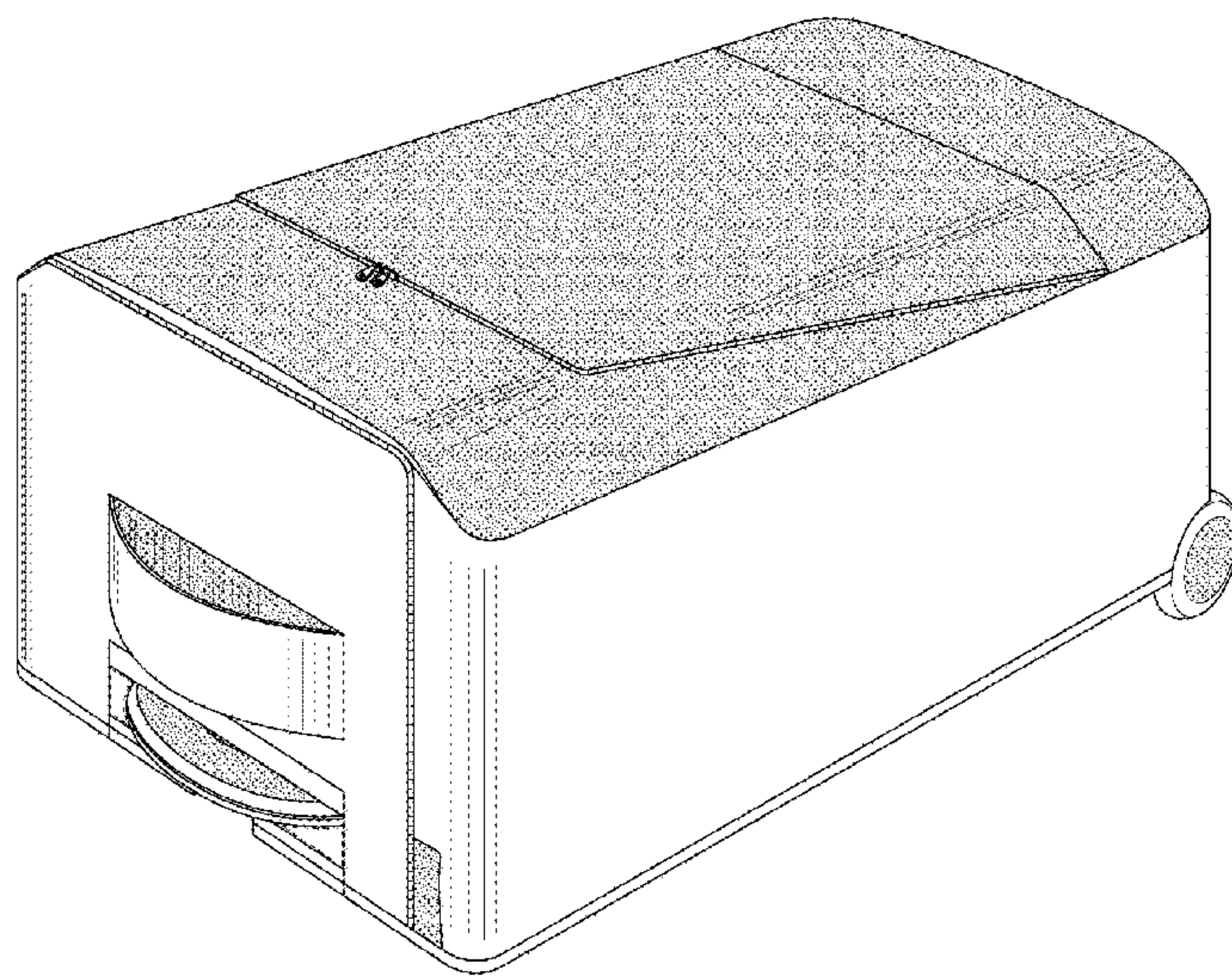
FIG. 5 is a side view of the suitcase according to the present invention;

FIG. 6 is a top view of the suitcase according to the present invention; and,

FIG. 7 is a bottom view of the suitcase according to the present invention.

The broken lines illustrate the bounds of the claim. The broken lines and area within form no part of the claimed design.

**1 Claim, 7 Drawing Sheets**





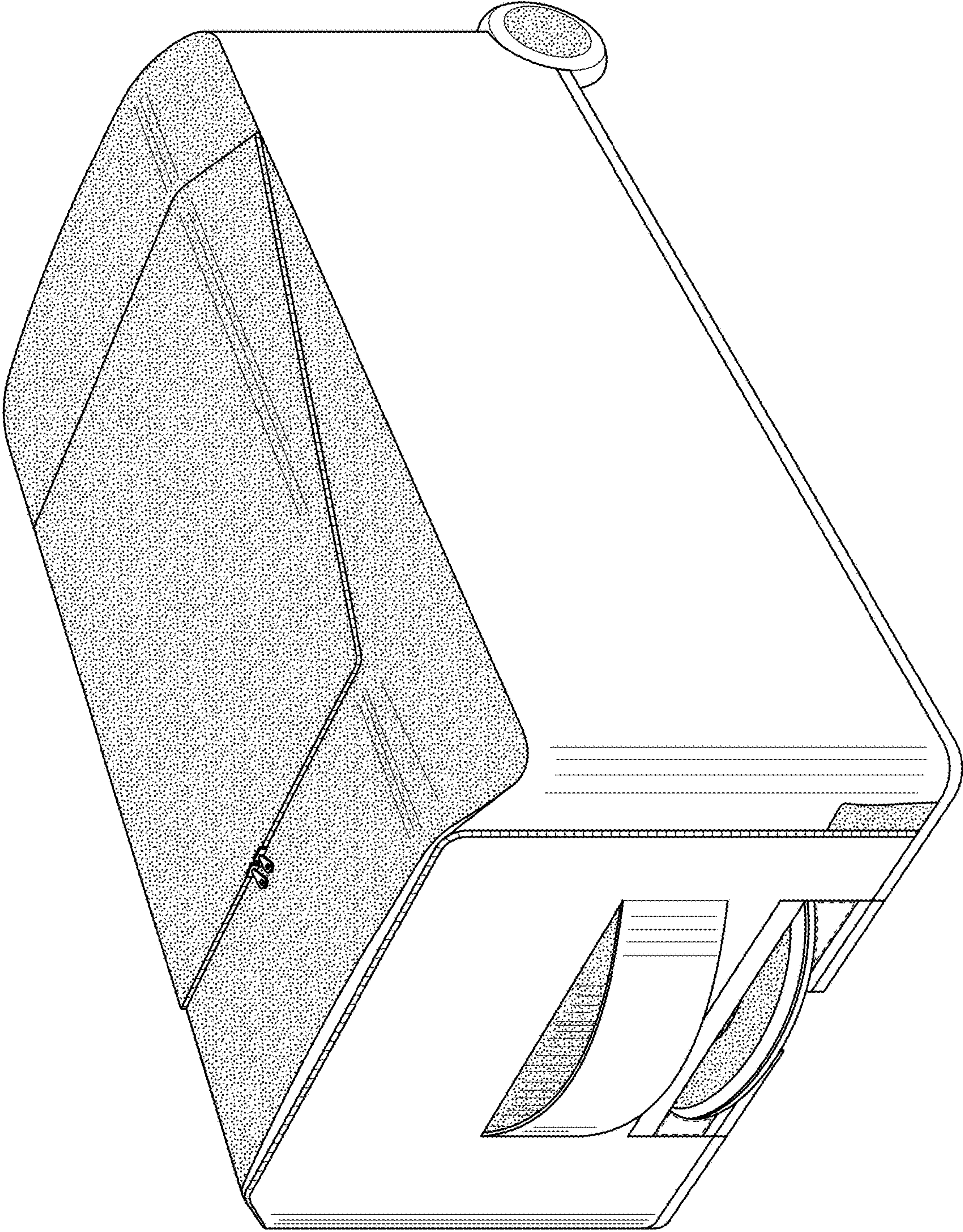


FIG. 1

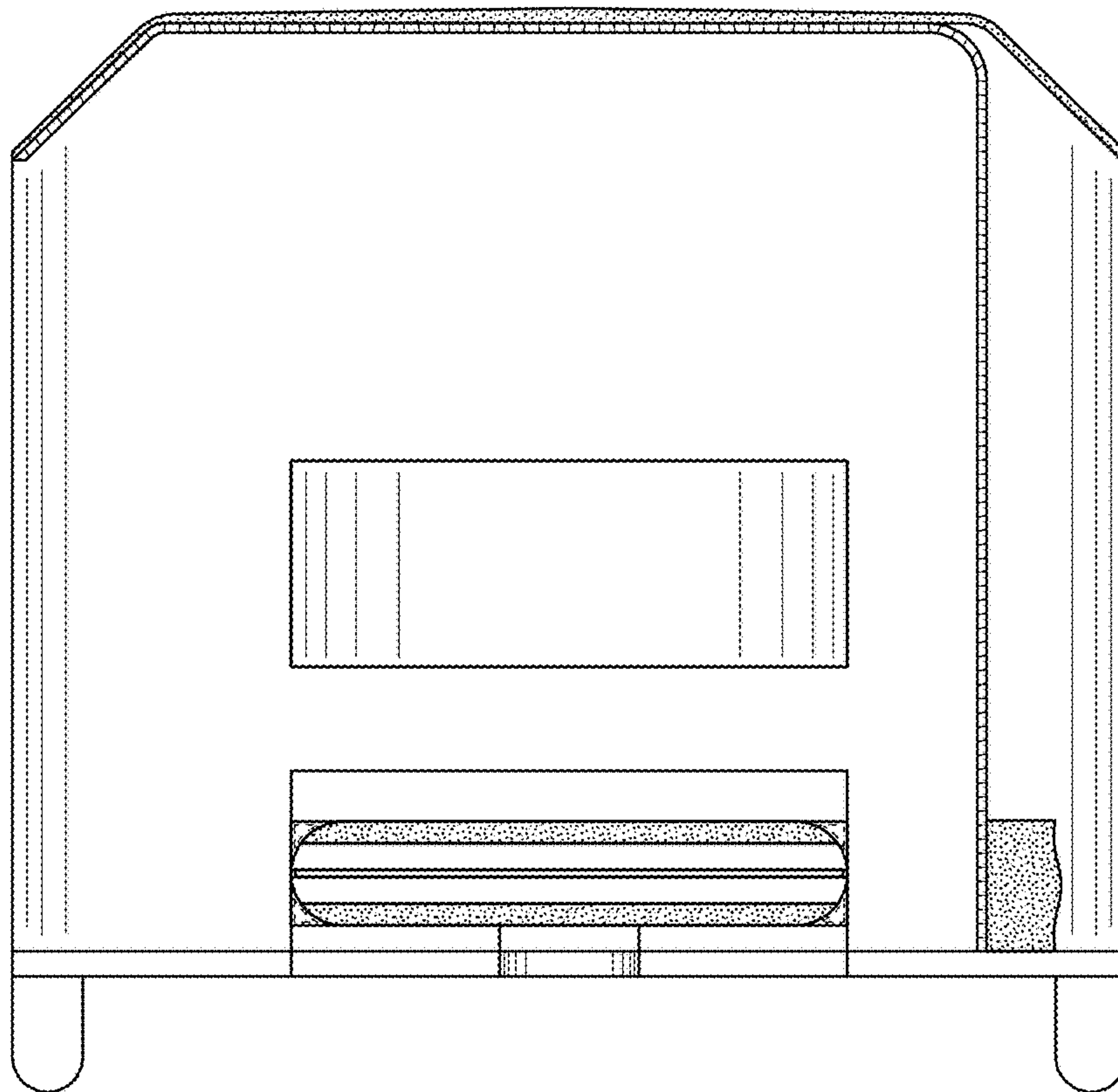


FIG. 2

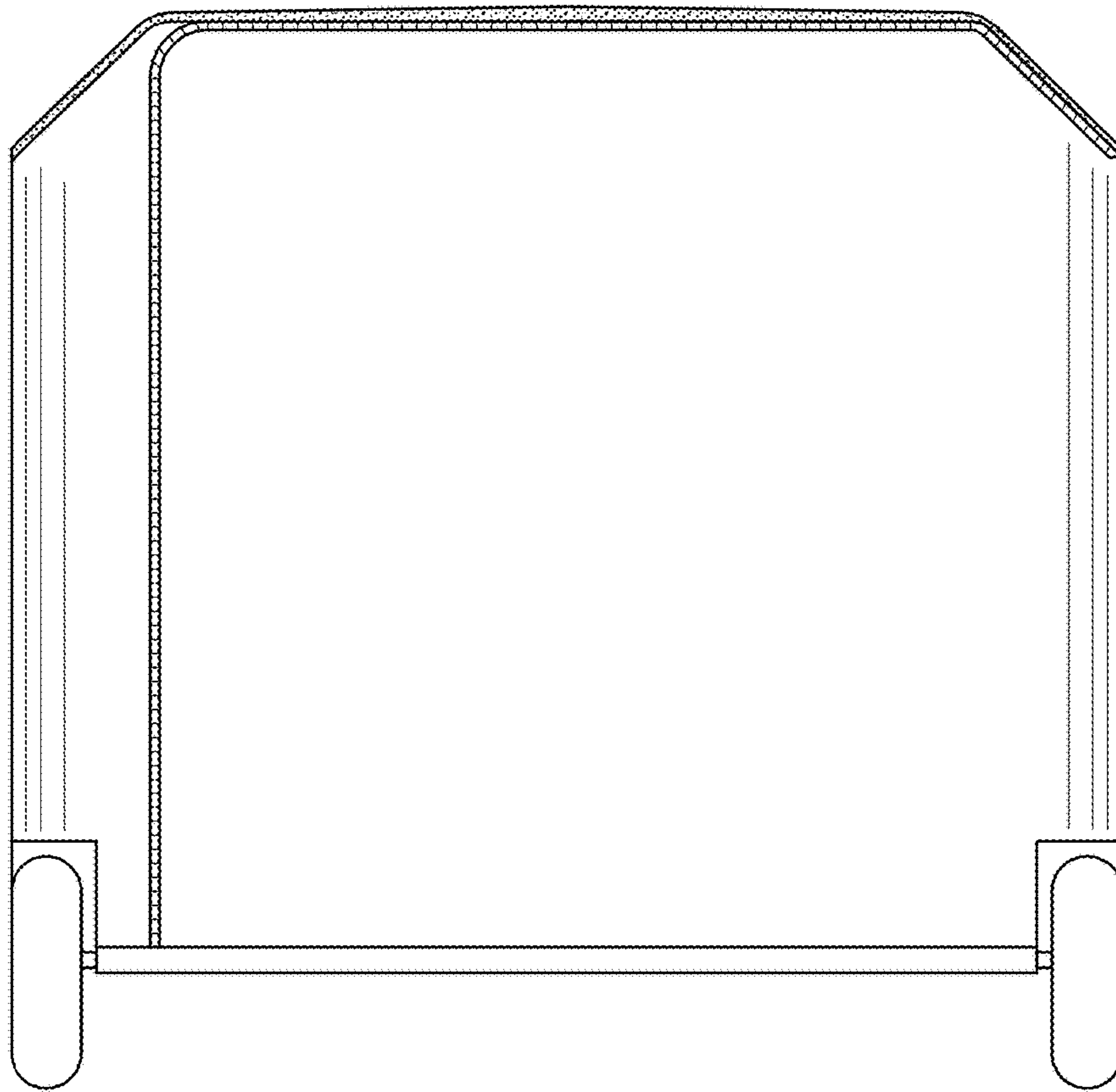


FIG. 3



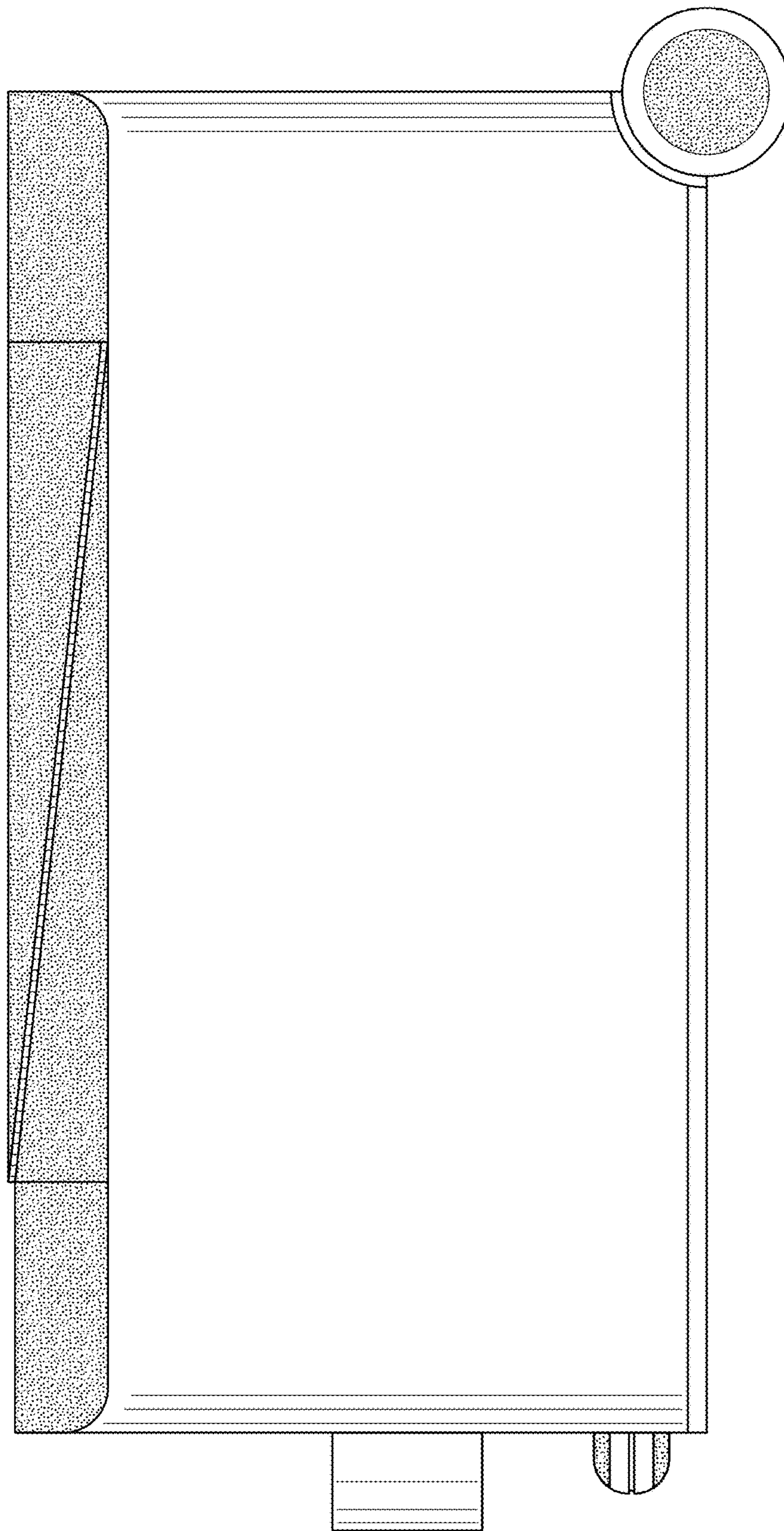


FIG. 4

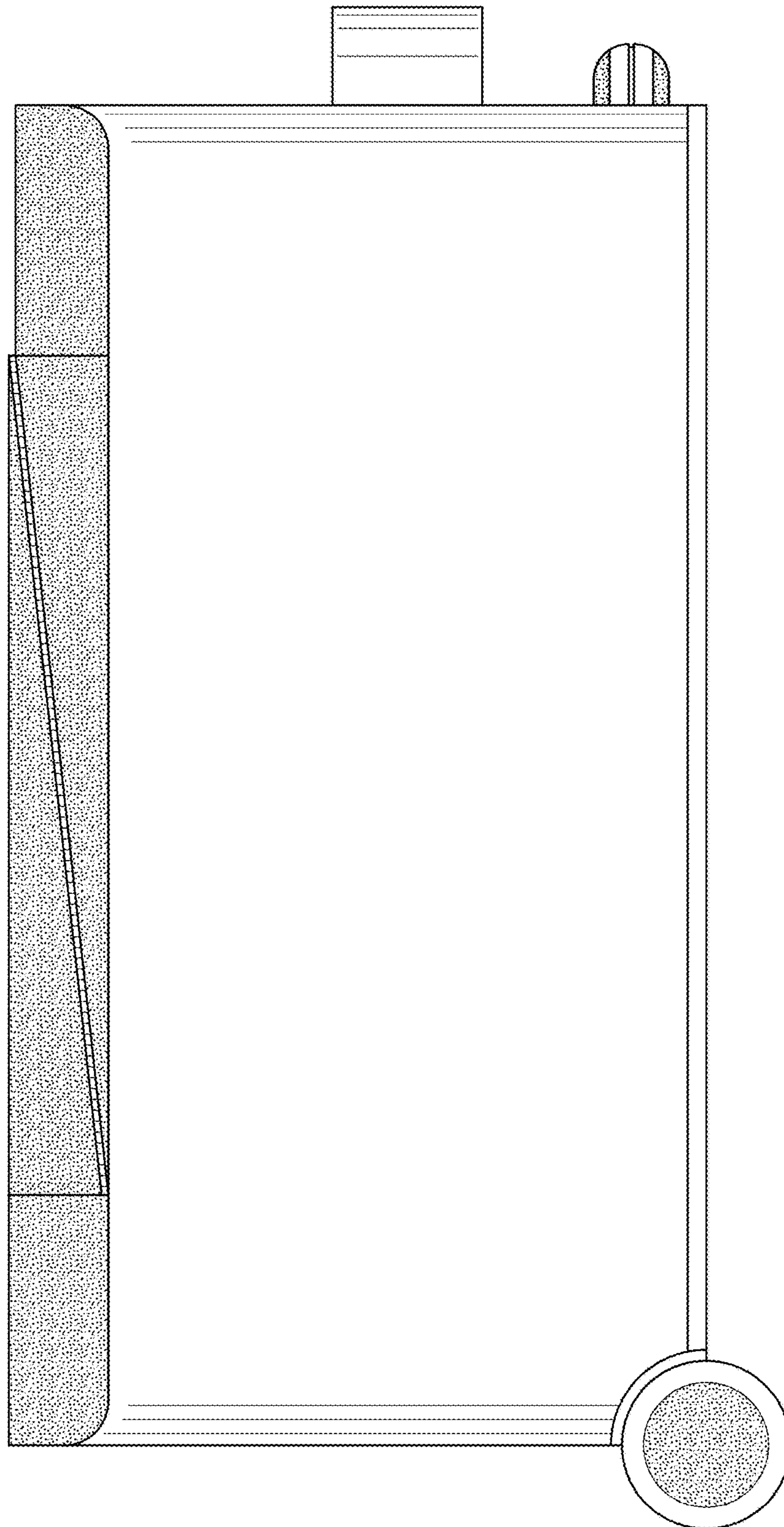


FIG. 5



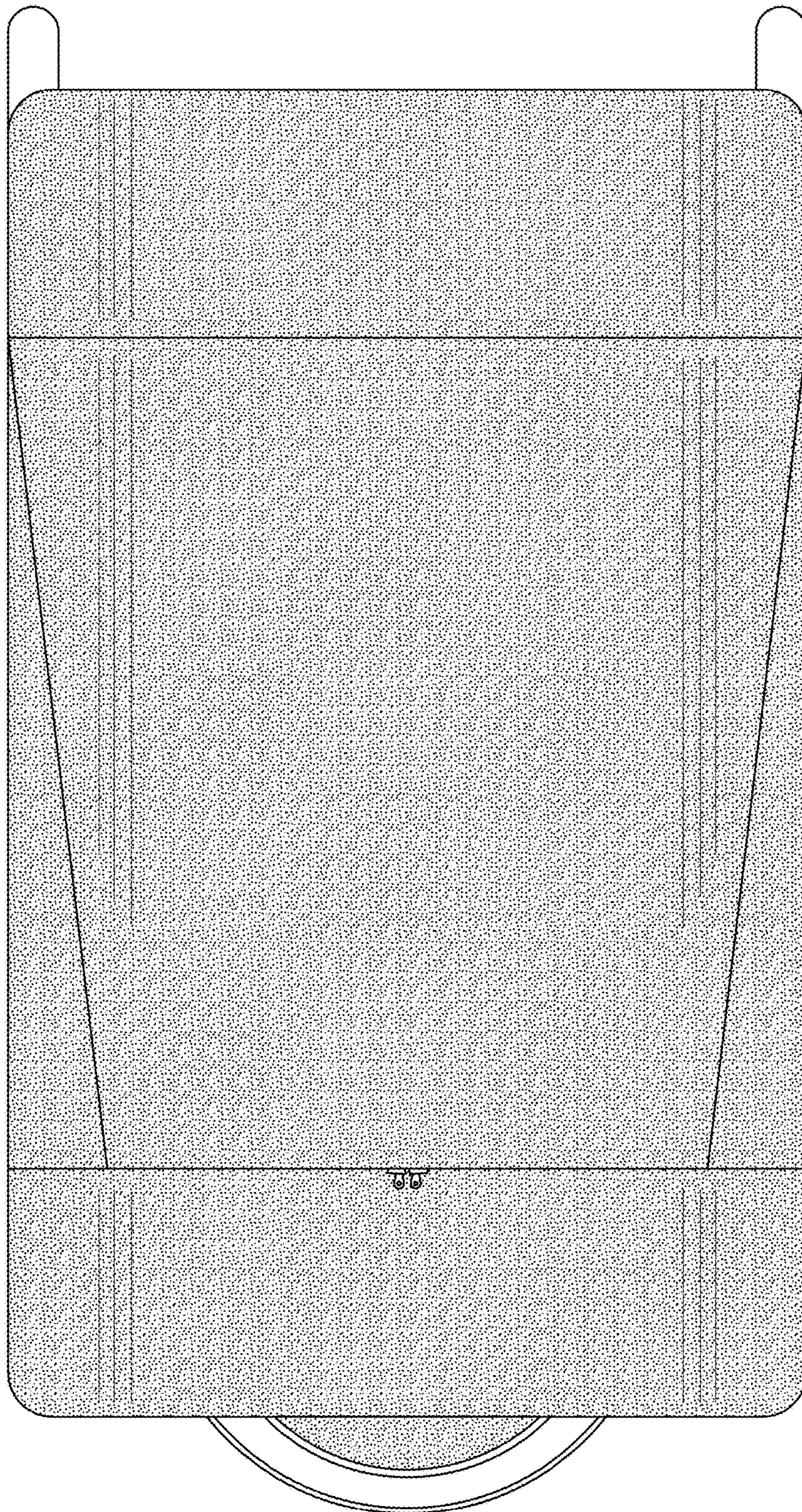


FIG. 6



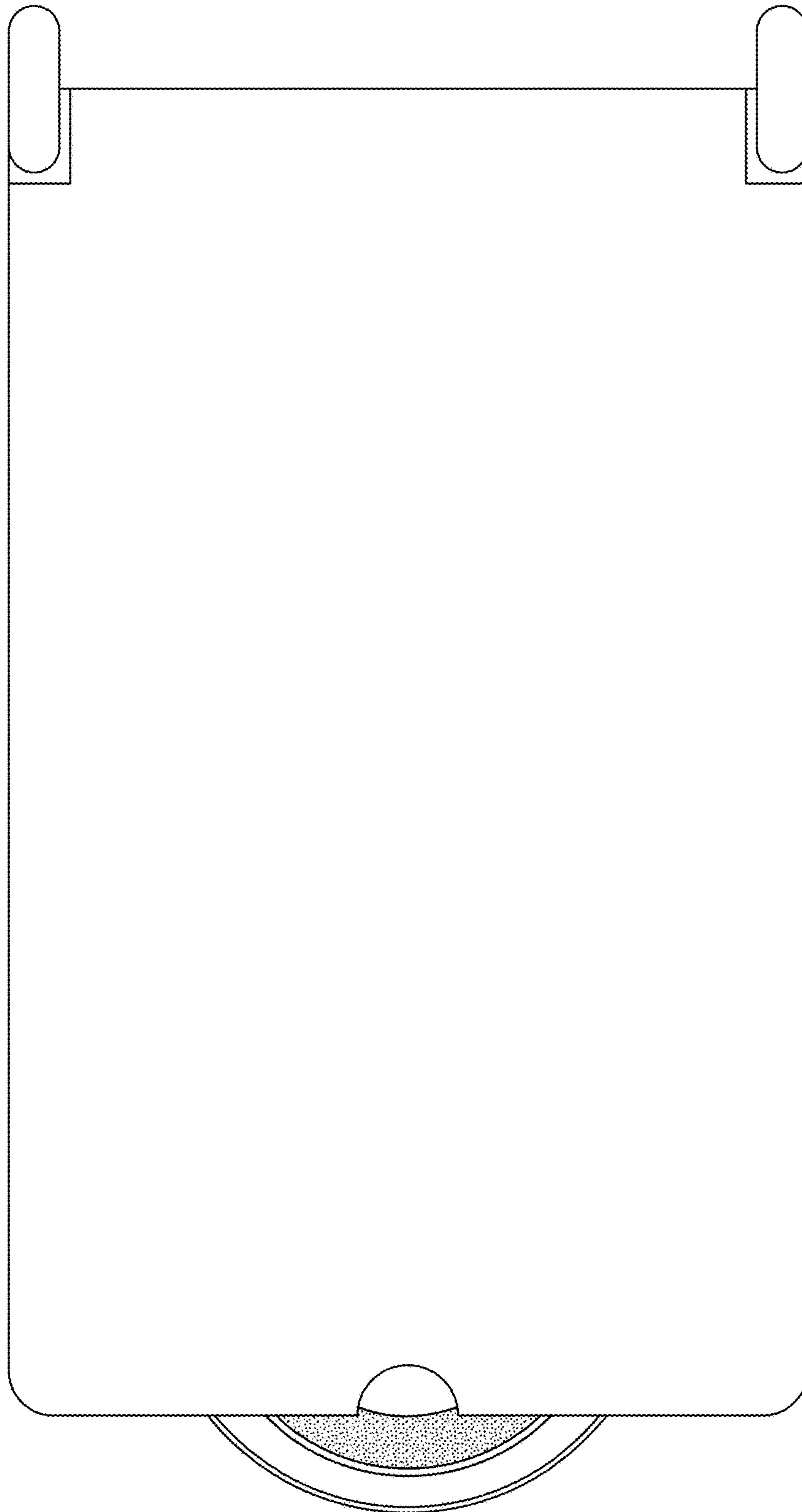


FIG. 7