



US00D782189S

(12) **United States Design Patent**
Bauer et al.

(10) **Patent No.:** **US D782,189 S**
(45) **Date of Patent:** **** Mar. 28, 2017**

(54) **WALLET**
(71) Applicant: **Thread Wallets, LLC**, Provo, UT (US)
(72) Inventors: **Colby Scott Bauer**, Provo, UT (US);
Mckenzie King Bauer, Provo, UT (US)
(73) Assignee: **Thread Wallets, LLC**, Provo, UT (US)
(**) Term: **15 Years**

D596,392 S * 7/2009 Cohen D3/208
D609,457 S * 2/2010 Blanford D3/208
D627,965 S * 11/2010 Berck D3/247
D694,007 S * 11/2013 D'Amore D3/247
2005/0205435 A1 9/2005 Loy
2008/0023114 A1* 1/2008 Bridgefarmer A45C 1/06
150/147

(21) Appl. No.: **29/533,977**
(22) Filed: **Jul. 23, 2015**
(51) **LOC (10) Cl.** **03-01**
(52) **U.S. Cl.**
USPC **D3/247**
(58) **Field of Classification Search**
USPC D3/20, 203.6, 205-208, 212, 226, 232,
D3/245, 247-253, 303, 324; D14/251
CPC A45C 1/06; A45C 3/08
See application file for complete search history.

FOREIGN PATENT DOCUMENTS

WO 2013040771 3/2013

OTHER PUBLICATIONS

Thread Wallets 2.0 | Slim Wallet for the Stylish Minimalist posted at Kickstarter.com, posting date Mar. 13, 2015, © 2016 Kickstarter.com, [online], [site visited Jul. 27, 2016]. Available from Internet, <URL: <https://www.kickstarter.com/projects/798397208/thread-wallets-wallets-that-match-your-lifestyle/description>>.*

(Continued)

Primary Examiner — Manpreet Matharu
Assistant Examiner — Lisa A Grabenstetter
(74) *Attorney, Agent, or Firm* — TraskBritt

(56) **References Cited**

U.S. PATENT DOCUMENTS

1,110,760 A * 9/1914 Easton A45C 11/323
206/37.1
1,693,006 A * 11/1928 Thomas G09F 3/20
206/38.1
D272,016 S * 1/1984 Blair D3/208
D307,979 S * 5/1990 Purvis D3/208
D336,565 S * 6/1993 Wenk D3/208
D338,103 S * 8/1993 Eschmann D3/208
D370,119 S * 5/1996 McDaniel D3/208
D411,765 S * 7/1999 Holihan D3/201
D438,373 S * 3/2001 Riley D3/207
D474,017 S * 5/2003 Burns D3/212
D502,596 S * 3/2005 Smoot D3/208
D527,891 S * 9/2006 Hoeksema D3/207

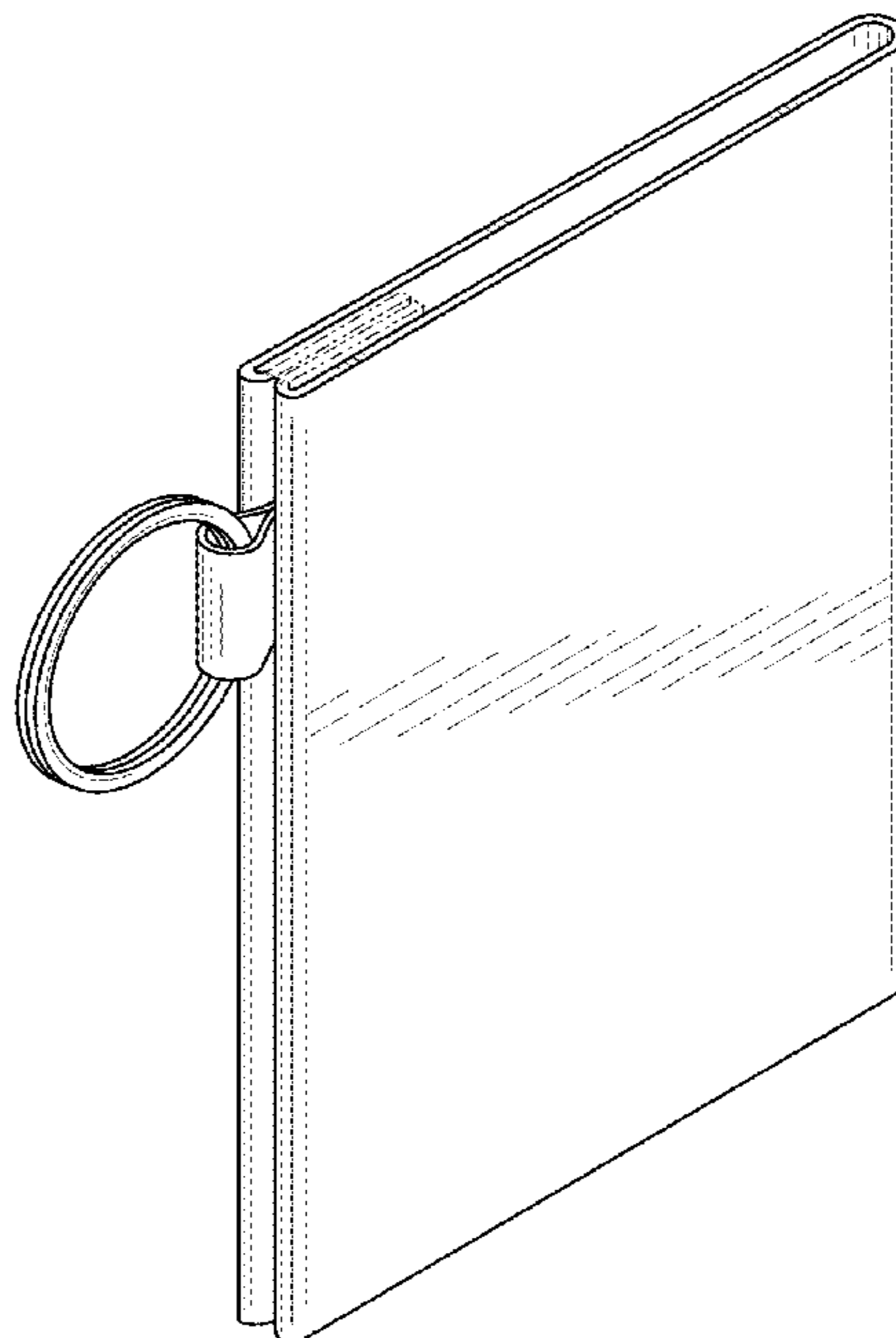
(57) **CLAIM**

The ornamental design for a wallet, as shown and described.

DESCRIPTION

FIG. 1 is a perspective view of a wallet, showing our new design;
FIG. 2 is a front view thereof;
FIG. 3 is a rear view thereof;
FIG. 4 is a right side view thereof;
FIG. 5 is a left side view thereof;
FIG. 6 is a top plan view thereof; and,
FIG. 7 is a bottom plan view thereof.
The broken lines depict unclaimed portions of the design.

1 Claim, 3 Drawing Sheets



(56)

References Cited

OTHER PUBLICATIONS

Crabby Wallet; www.crabbygear.com; accessed Jul. 17, 2015; 1 pg.

Elephant Wallet; www.elephantwallet.com; accessed Jul. 17, 2015;
2 pg.

Slim Wallet; www.suprgood.com; accessed Jul. 17, 2015; 2 pg.

Tight Wallet; www.tightstore.com; accessed Jul. 17, 2015; 3 pg.

* cited by examiner

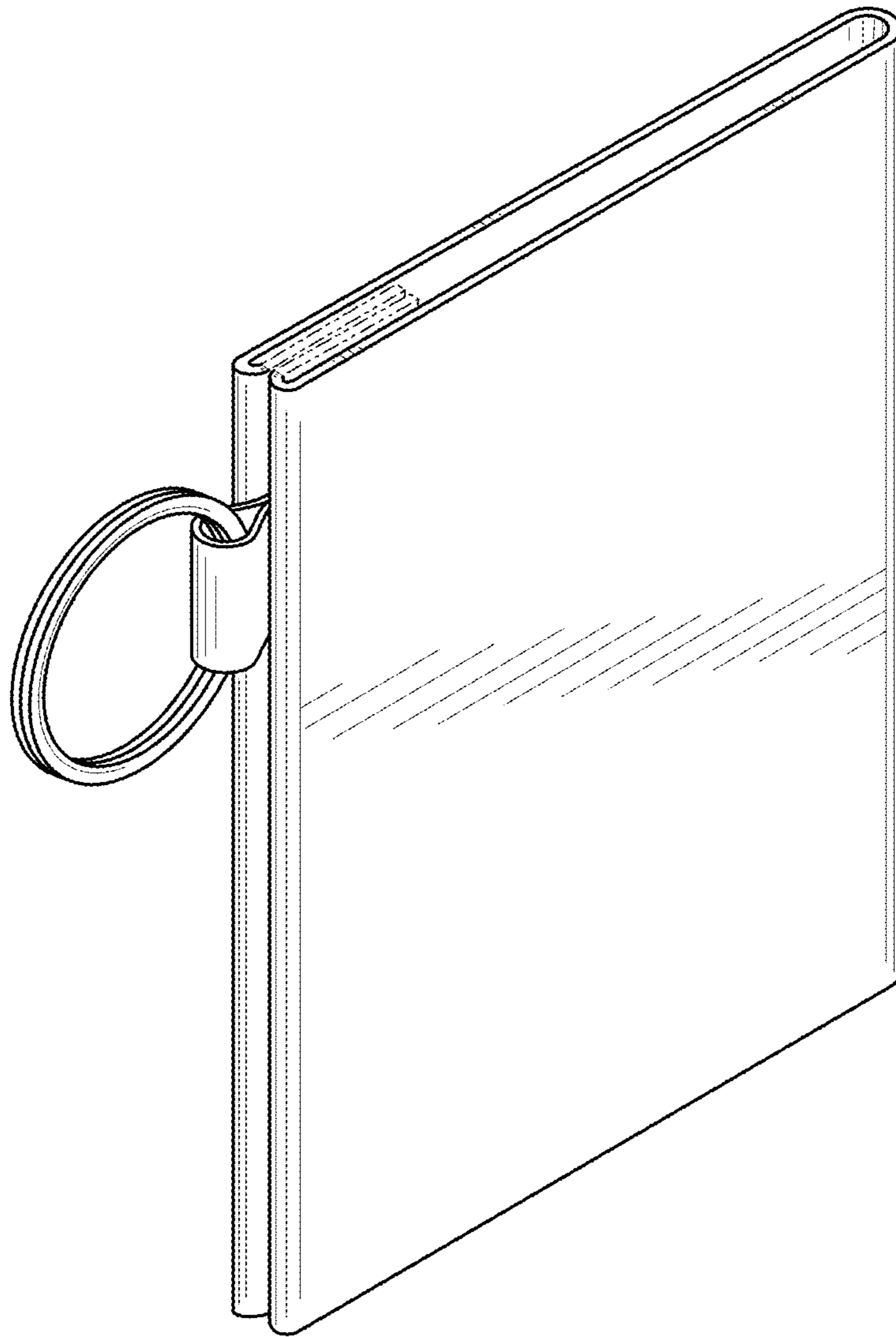


FIG. 1

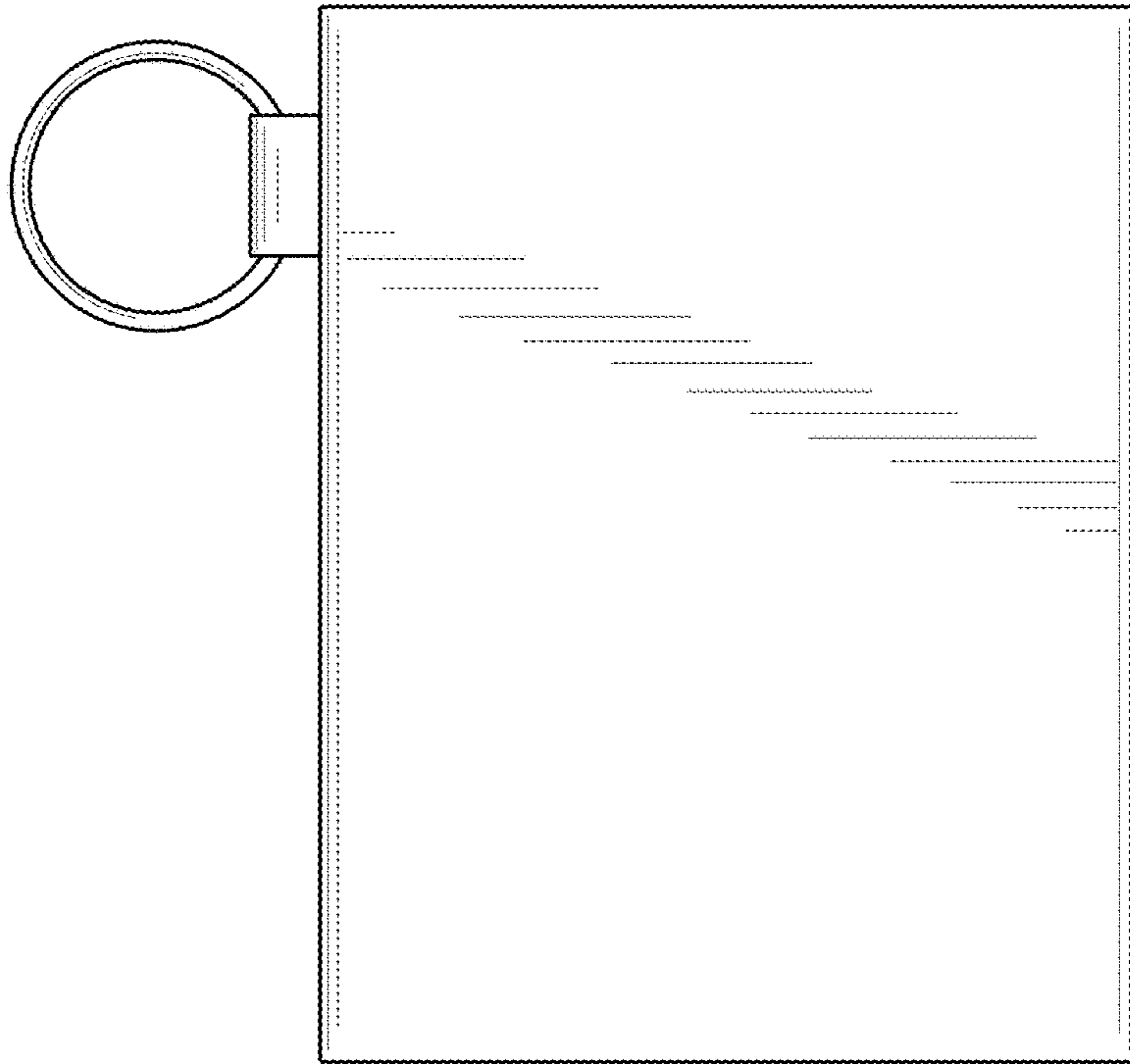


FIG. 2

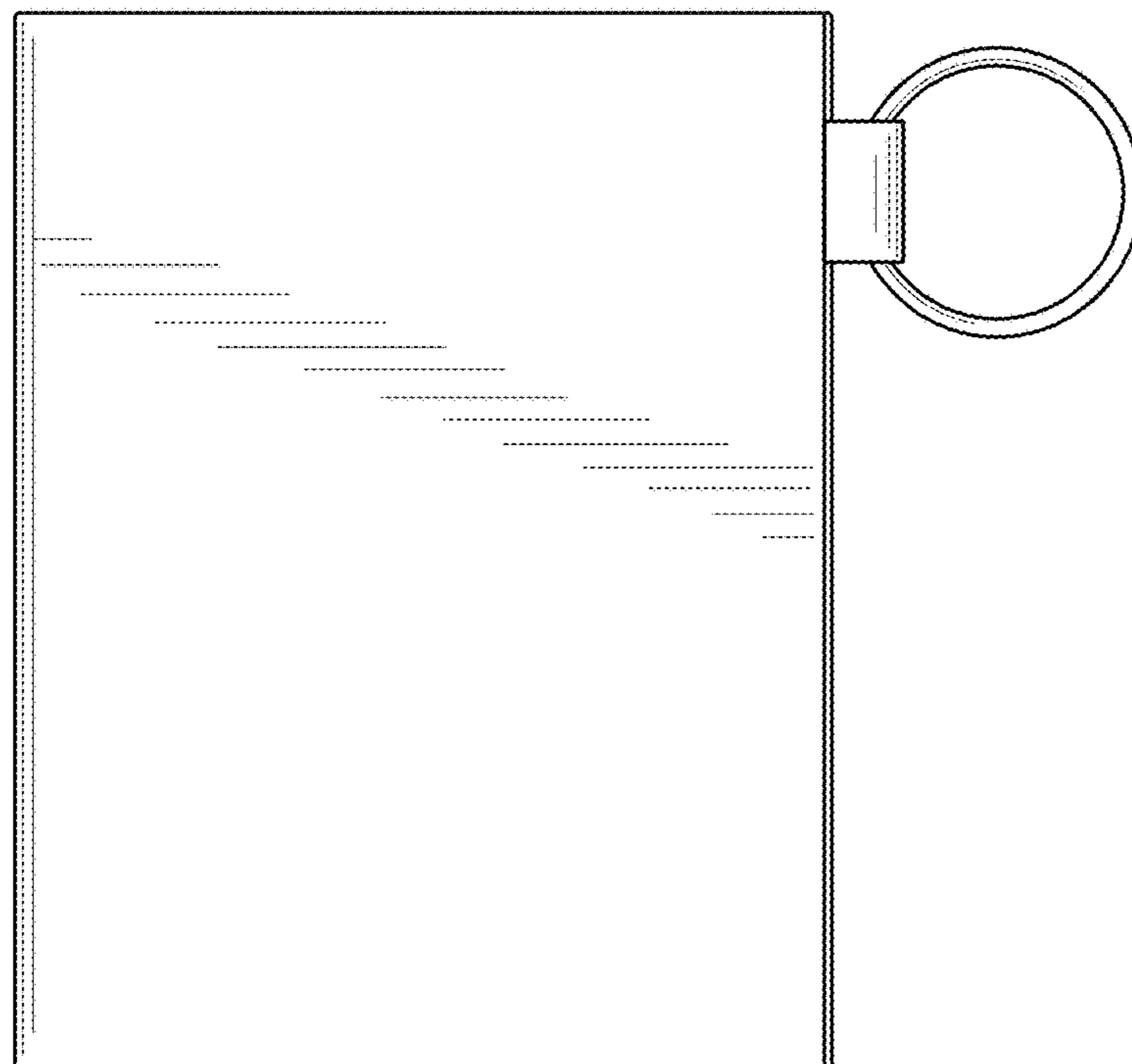


FIG. 3



FIG. 4



FIG. 5



FIG. 6



FIG. 7