



US00D782188S

(12) **United States Design Patent**
Tappeiner

(10) **Patent No.:** **US D782,188 S**

(45) **Date of Patent:** **** Mar. 28, 2017**

(54) **TOTE BAG**

(71) Applicant: **The Travel Hammock Inc.**, Skokie, IL
(US)

(72) Inventor: **Marc Tappeiner**, Santa Barbara, CA
(US)

(73) Assignee: **The Travel Hammock Inc.**, Skokie, IL
(US)

(**) Term: **15 Years**

(21) Appl. No.: **29/534,878**

(22) Filed: **Jul. 31, 2015**

(51) **LOC (10) Cl.** **03-01**

(52) **U.S. Cl.**

USPC **D3/245**

(58) **Field of Classification Search**

USPC D3/201, 231–233, 245, 252, 254, 272,
D3/273, 299; D7/601, 602, 612, 703;
D9/414, 415, 417, 418, 430, 432–436,
D9/455–457, 499, 703, 709

CPC A45C 1/024; A45C 3/06

See application file for complete search history.

(56) **References Cited**

U.S. PATENT DOCUMENTS

D249,593 S *	9/1978	Glaser	D3/245
D420,794 S *	2/2000	Kohlhase	D3/232
D509,959 S *	9/2005	Nykoluk	D3/289
D596,847 S *	7/2009	Nelson	D3/232
D621,153 S *	8/2010	Parsley	D3/232
D621,610 S *	8/2010	Parsley	D3/232
D625,915 S *	10/2010	Parsley	D3/232
8,225,829 B2 *	7/2012	Melamed	A45C 1/024 150/113
D711,093 S *	8/2014	Alamdar	D3/231
D723,267 S *	3/2015	Basha	D3/232

D727,017 S *	4/2015	Aberg	D3/231
D742,635 S *	11/2015	Coleman	D3/232
D743,696 S *	11/2015	Alamdar	D3/231

OTHER PUBLICATIONS

Camping Comfortably. Grand Trunk Collapsible Micro Stool. 2016 [earliest online date], [site visited Oct. 19, 2016]. Available from Internet, <URL:http://www.campingcomfortably.com/grand-trunk-collapsible-micro-stool.html>.*

* cited by examiner

Primary Examiner — Robert M Spear

Assistant Examiner — Darcey E Heflin

(74) *Attorney, Agent, or Firm* — Richards Patent Law P.C.

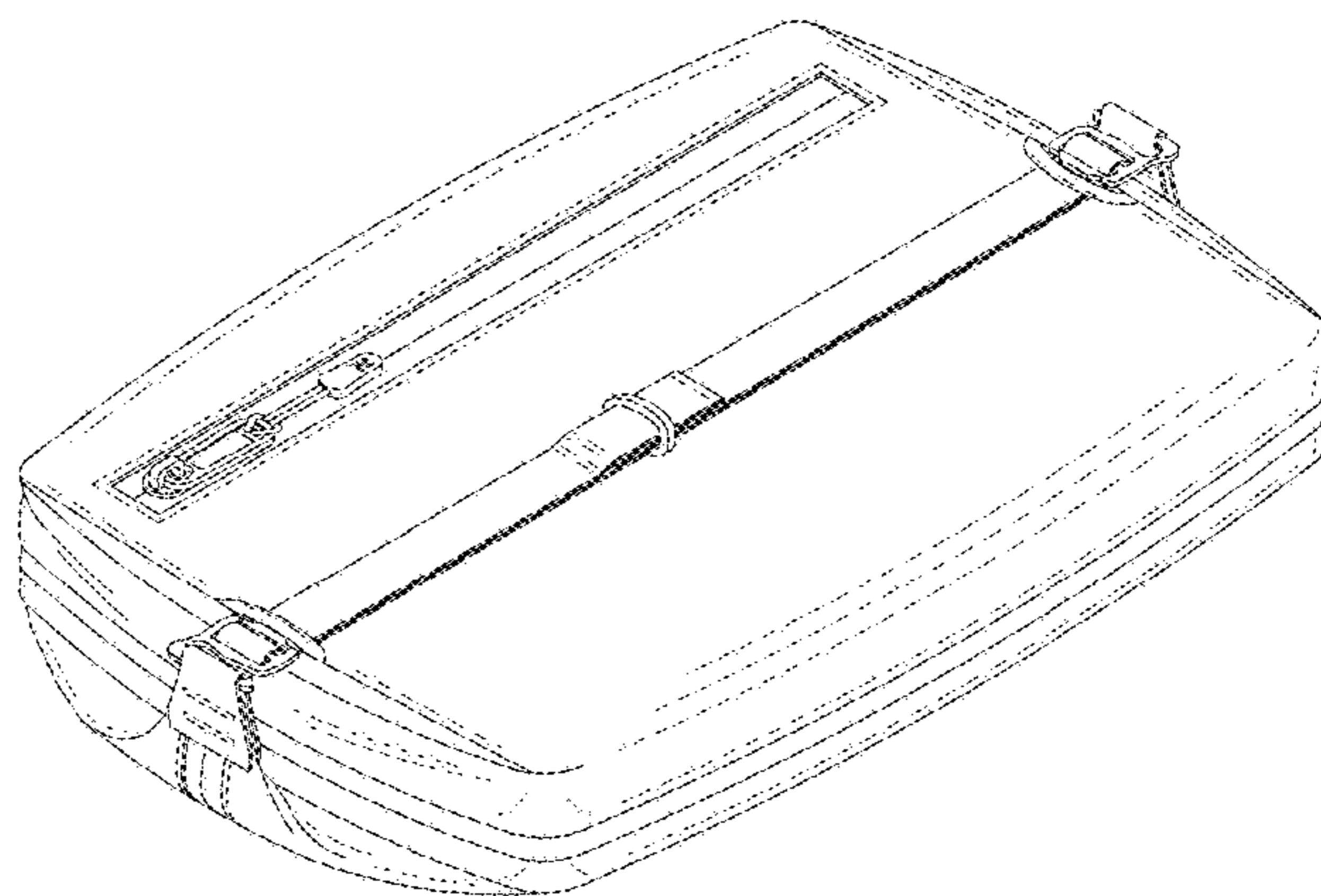
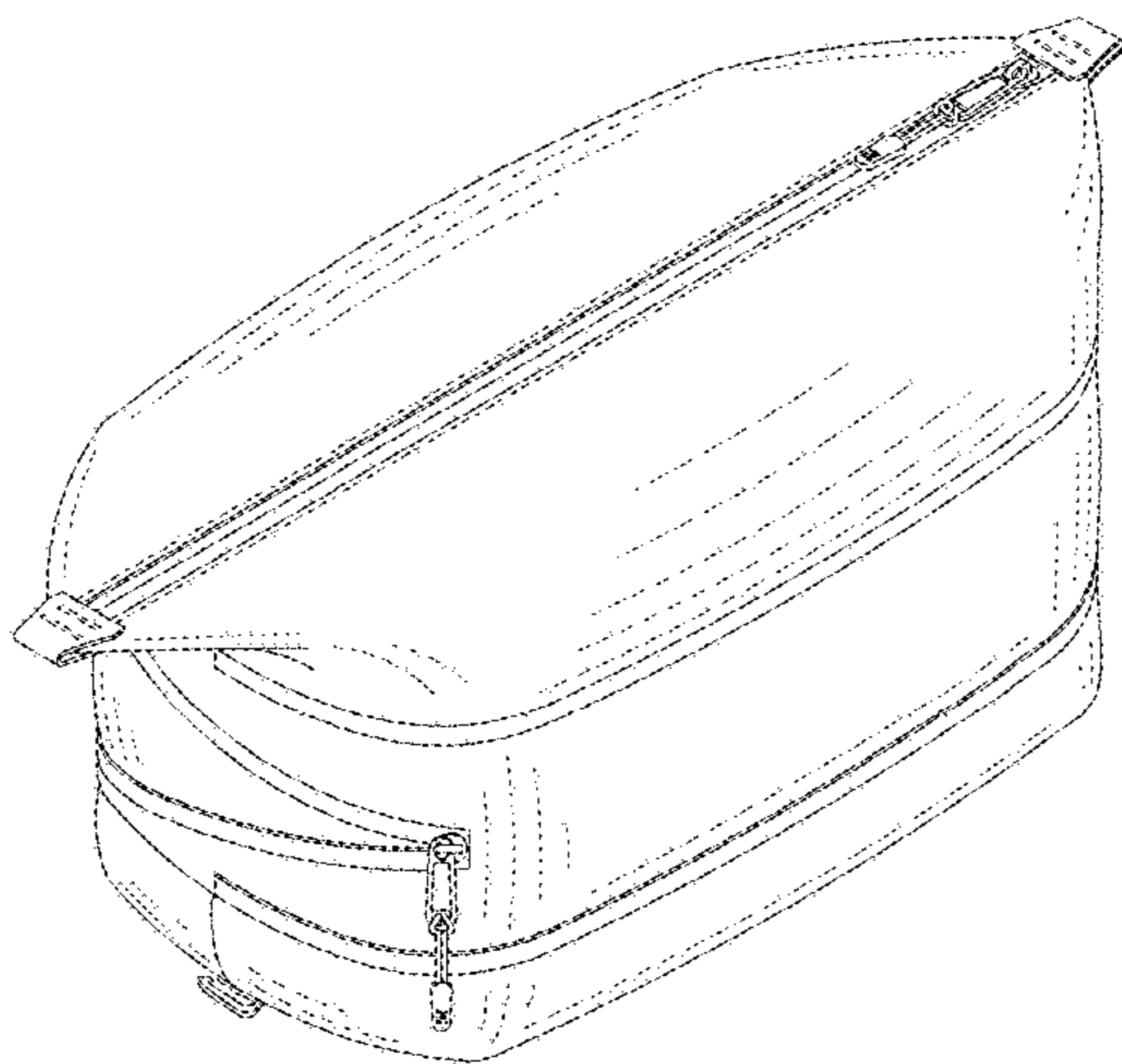
(57) **CLAIM**

The ornamental design for a tote bag, as shown and described.

DESCRIPTION

FIG. 1 is a top perspective view of a tote bag; FIG. 2 is a front side view of the tote bag; FIG. 3 is a back side view of the tote bag; FIG. 4 is a left side view of the tote bag; FIG. 5 is a right side view of the tote bag; FIG. 6 is a top view of the tote bag; FIG. 7 is a bottom view of the tote bag; and, FIG. 8 is a bottom perspective view of the tote bag shown compacted. In the drawings, the broken lines are understood to represent stitching.

1 Claim, 8 Drawing Sheets



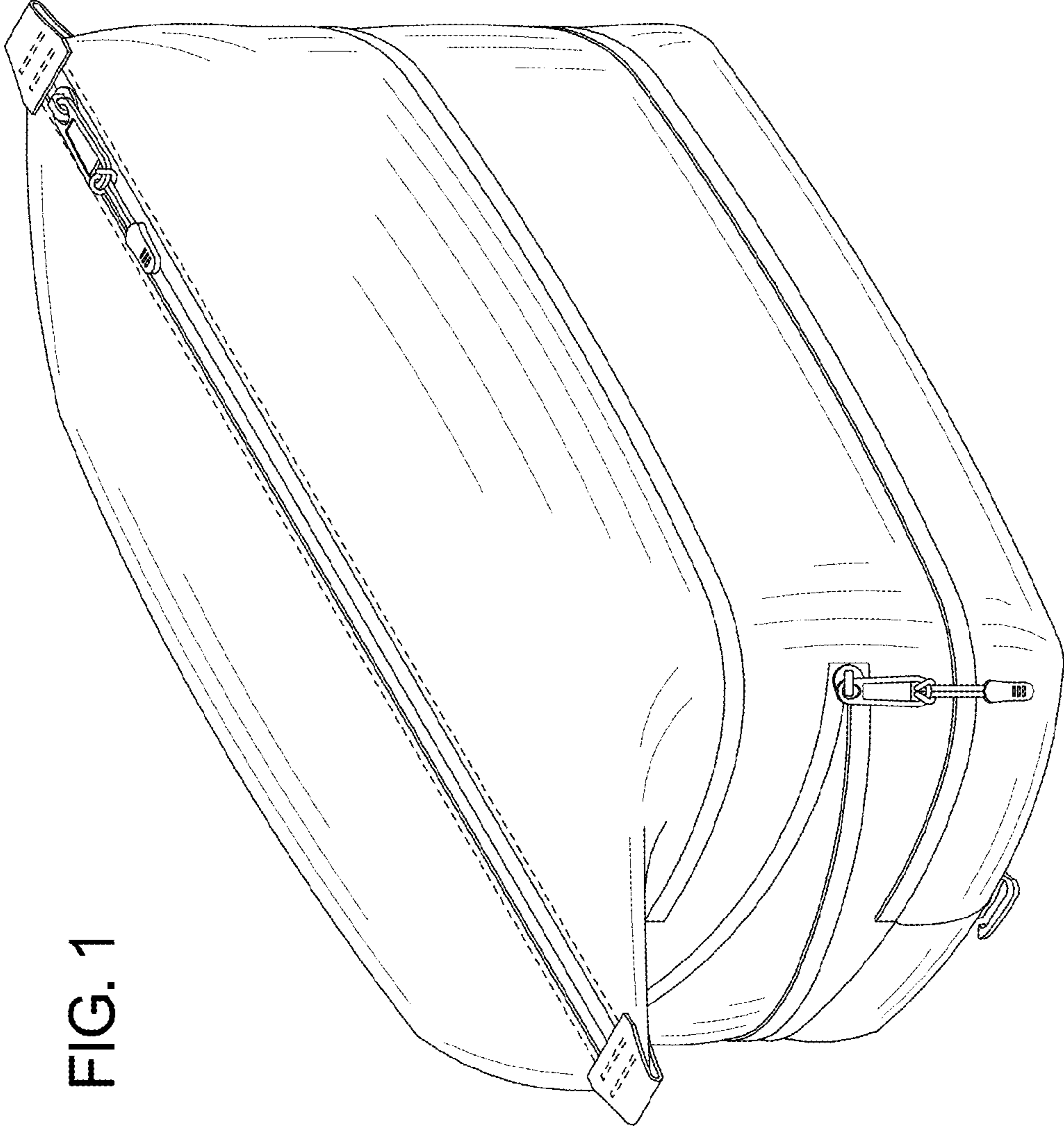


FIG. 1

FIG. 2

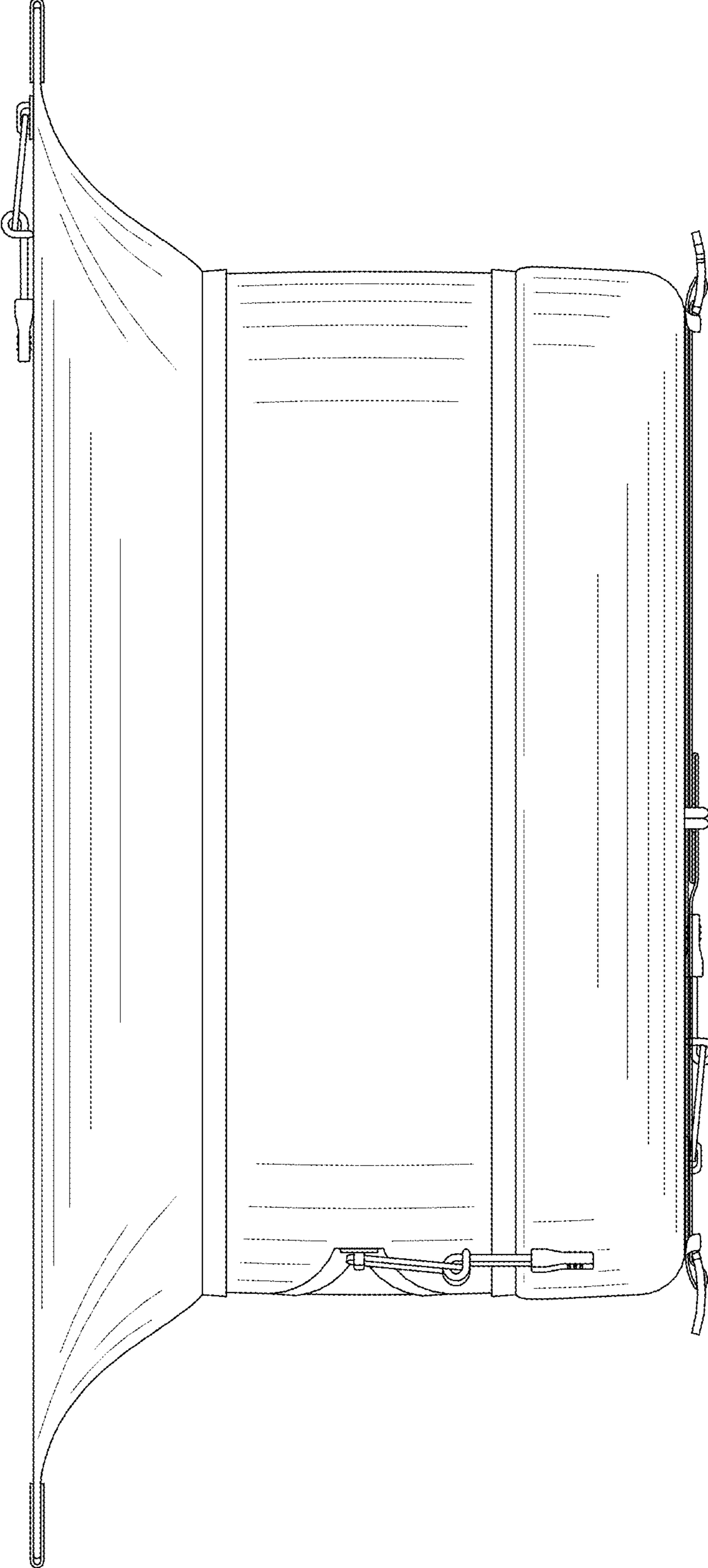


FIG. 3

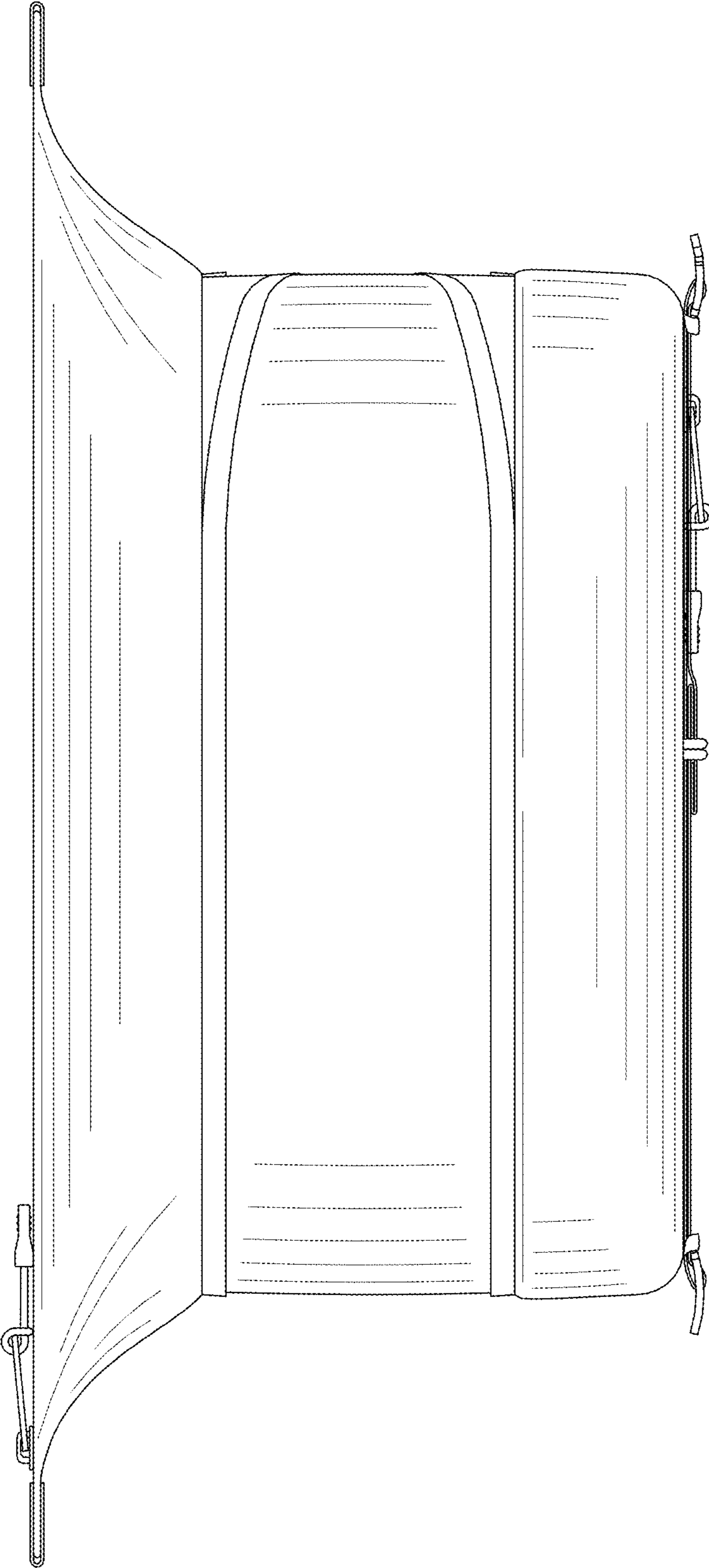


FIG. 4

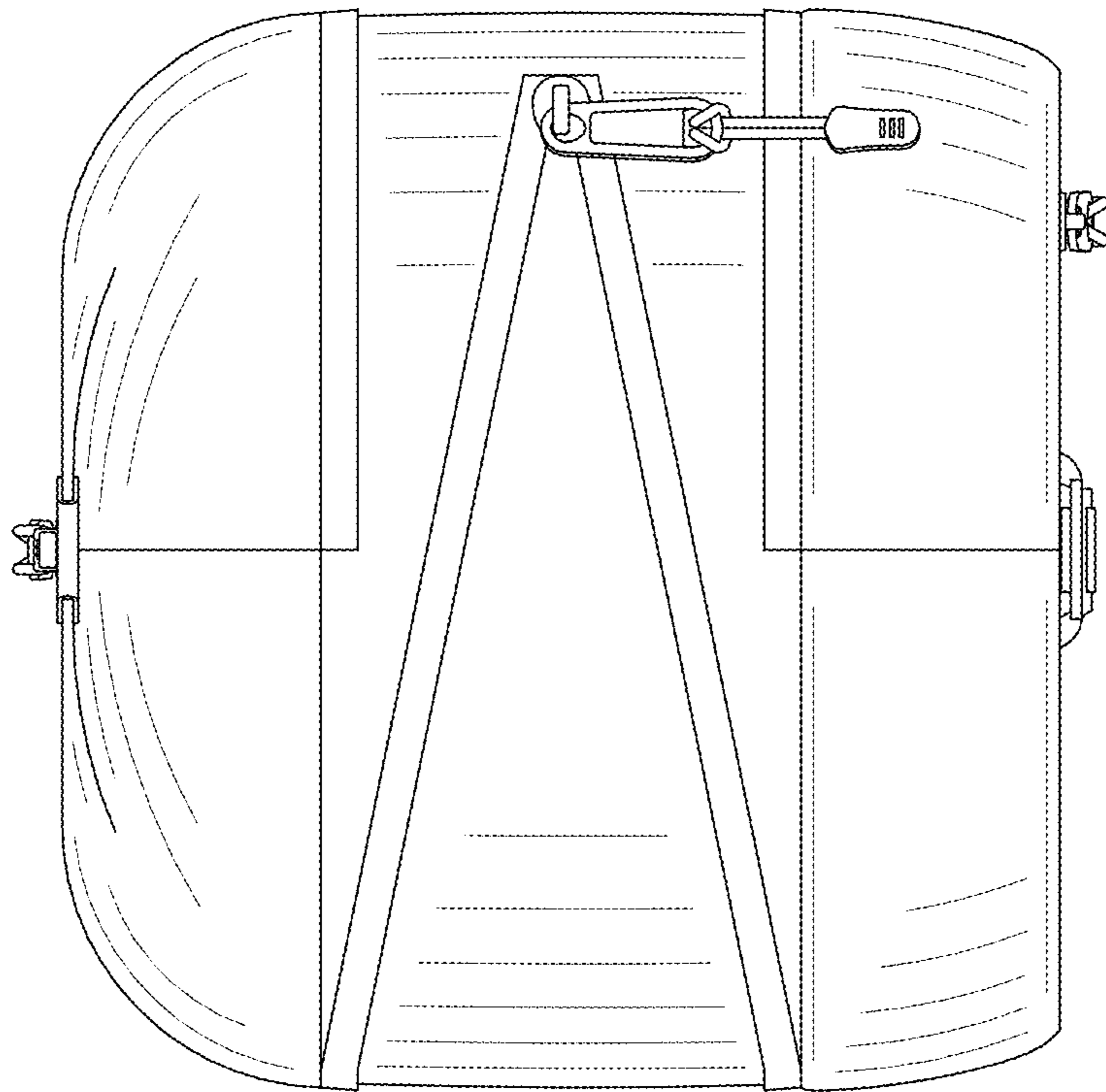


FIG. 5

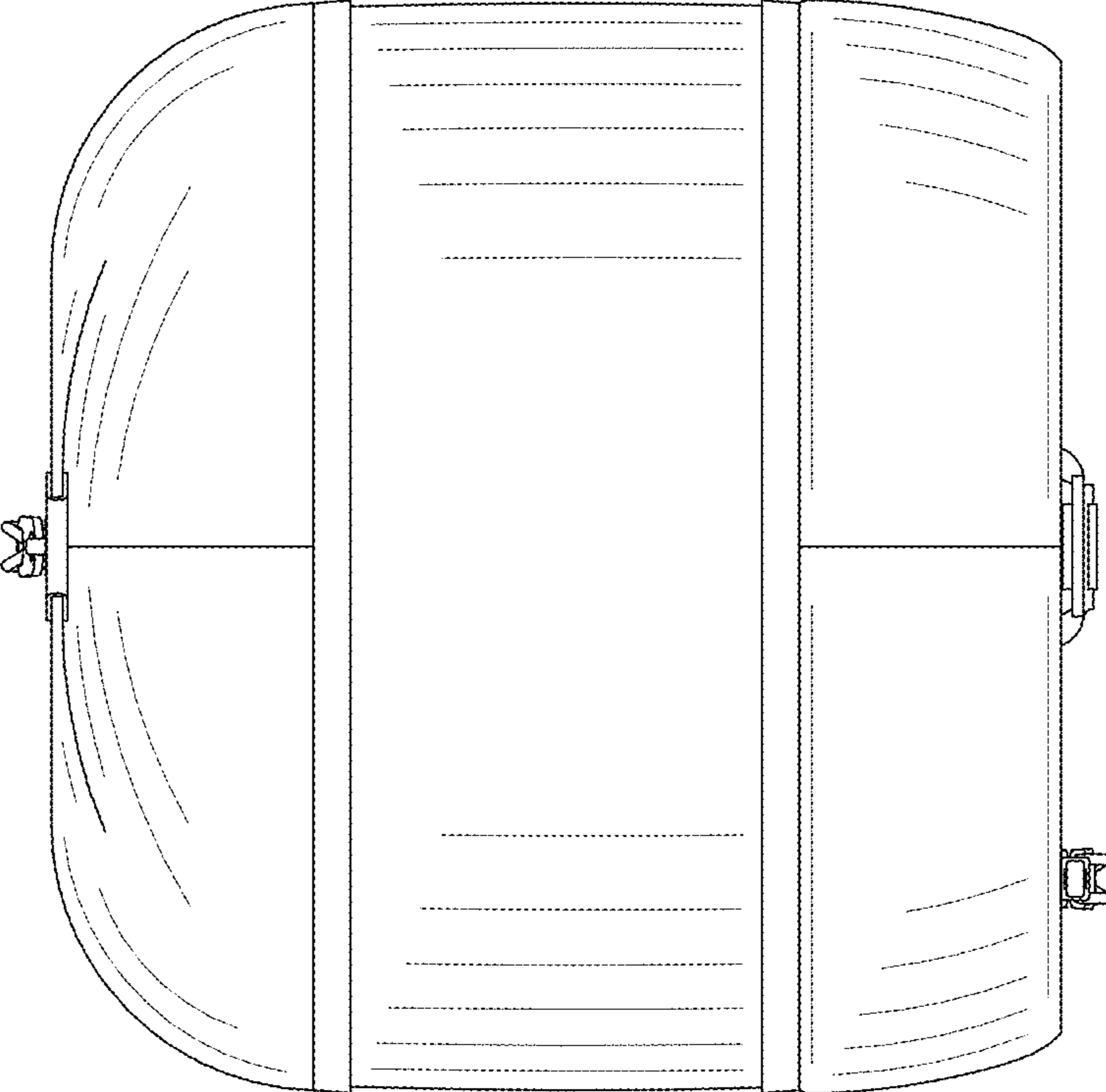


FIG. 6

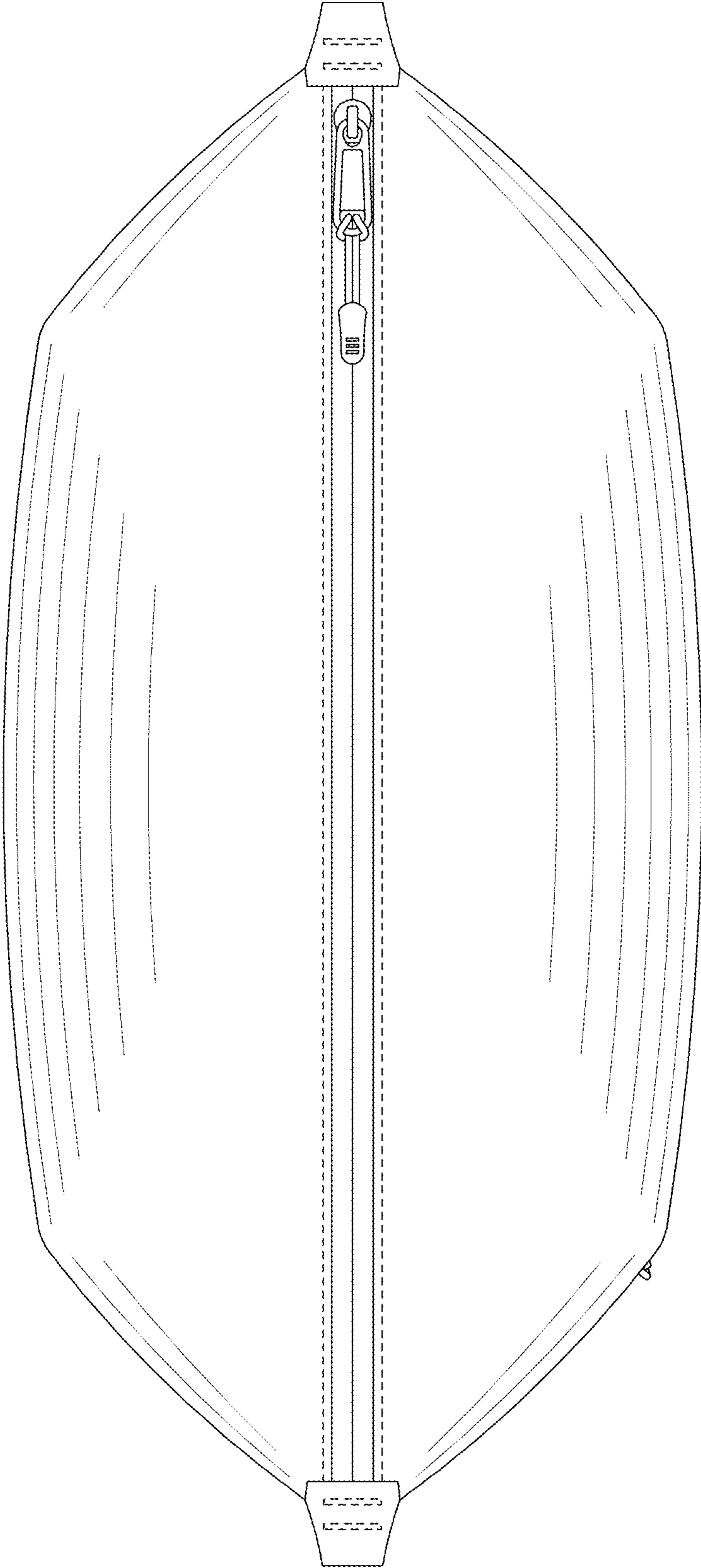
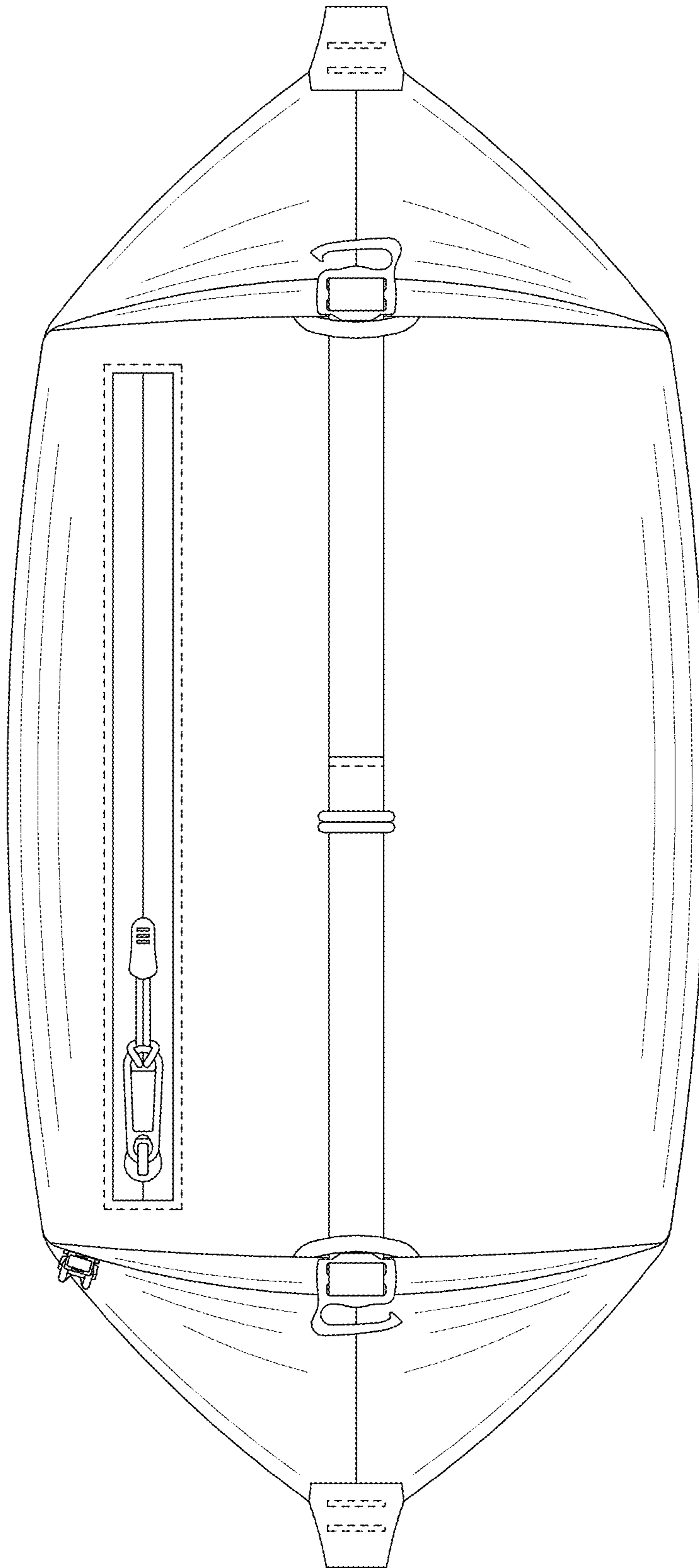


FIG. 7



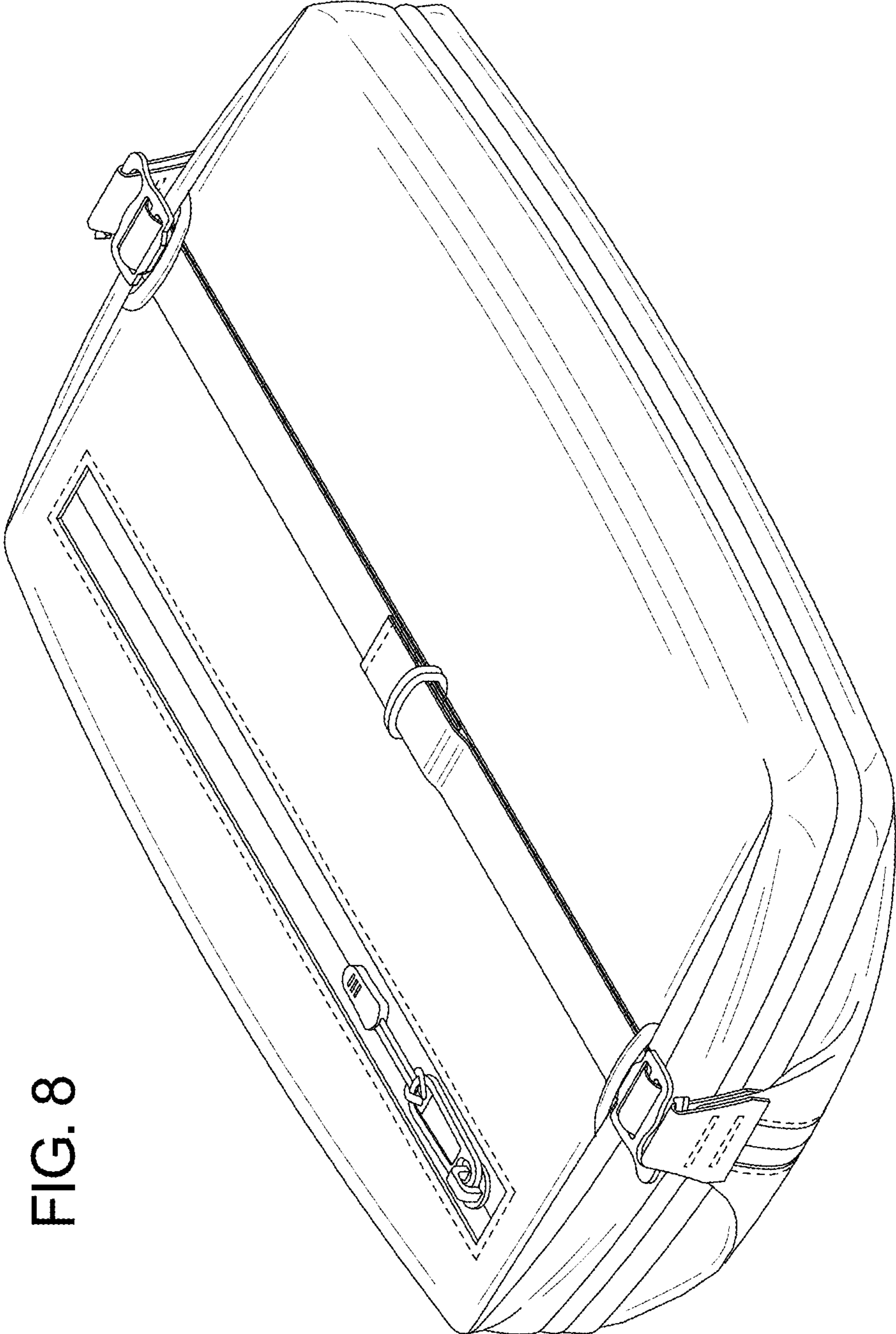


FIG. 8