



US00D782187S

(12) **United States Design Patent** (10) **Patent No.:** **US D782,187 S**  
**Lucas** (45) **Date of Patent:** **\*\* Mar. 28, 2017**

(54) **DISPLAY TOTE BAG**

(71) Applicant: **Rebecca A. Lucas**, Frisco, TX (US)

(72) Inventor: **Rebecca A. Lucas**, Frisco, TX (US)

(73) Assignee: **Luci Bags LLC**, Frisco, TX (US)

(\*\*) Term: **15 Years**

(21) Appl. No.: **29/540,507**

(22) Filed: **Sep. 25, 2015**

(51) **LOC (10) Cl.** ..... **03-01**

(52) **U.S. Cl.**  
USPC ..... **D3/232**

(58) **Field of Classification Search**

USPC ..... D3/215-217, 226, 227, 232-234,  
D3/238-246, 254, 257, 270, 271.1, 271.9,  
D3/272, 274-276, 291, 294, 299, 303,  
D3/324, 326, 900, 902, 903  
CPC ..... A45C 1/00; A45C 3/06; A45C 2007/004;  
A45C 3/08; A45C 7/00; A45C 9/10  
See application file for complete search history.

(56) **References Cited**

**U.S. PATENT DOCUMENTS**

4,022,261	A *	5/1977	Russell	.....	A45C 13/08 150/101
D332,697	S *	1/1993	Schildkraut	.....	D3/303
D437,483	S *	2/2001	Bisbal	.....	D3/276
D459,877	S *	7/2002	Laprise	.....	D3/254
D489,178	S *	5/2004	McMahan	.....	D3/235
D496,789	S *	10/2004	Mouton	.....	D3/243
D505,299	S *	5/2005	Saint Georges	.....	D3/232
D508,320	S *	8/2005	Holland	.....	D3/303
D539,033	S *	3/2007	Cassegrain	.....	D3/246
D686,412	S *	7/2013	Guichot	.....	D3/232

(Continued)

**OTHER PUBLICATIONS**

Screenshot of Applicant's website (<www.lucibags.com>) showing various tote bags published online in the United States at least as early as Jul. 2010. Sales and public use of such tote bags by Applicant occurred as early as 2008.

*Primary Examiner* — Susan E Krakower

*Assistant Examiner* — Lisa A Grabenstetter

(74) *Attorney, Agent, or Firm* — Braxton, Hilton & Perrone, PLLC

(57) **CLAIM**

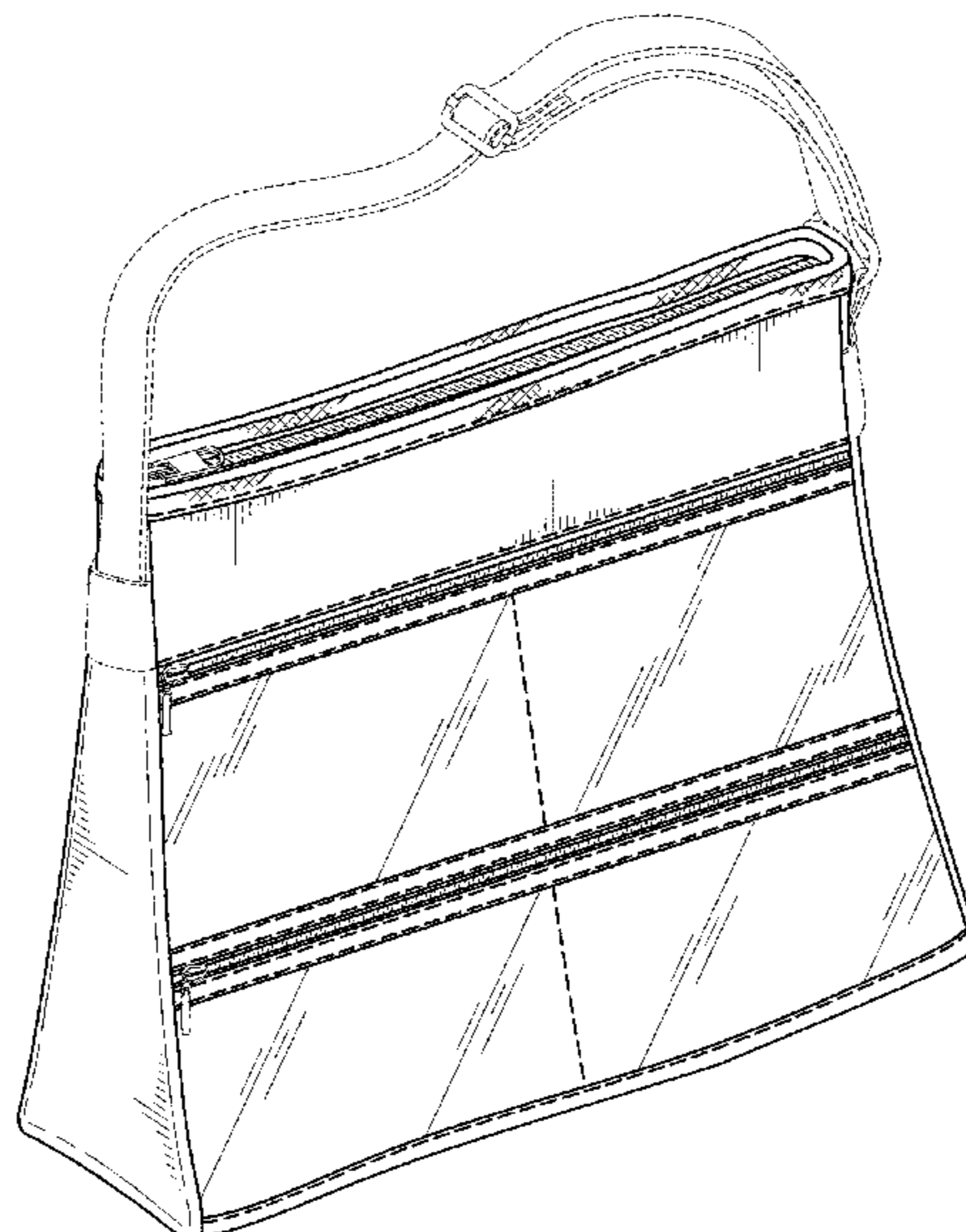
The ornamental design for a display tote bag, as shown and described.

**DESCRIPTION**

FIG. 1 is a top, front perspective view of a display tote bag showing my new design;  
FIG. 2 is an upper perspective view of a rear side thereof;  
FIG. 3 is a top, rear perspective view thereof;  
FIG. 4 is a rear view thereof  
FIG. 5 is a left side view thereof;  
FIG. 6 is a right side view thereof;  
FIG. 7 is a top view thereof, shown with the handle removed for ease of illustration;  
FIG. 8 is a second top view thereof; and,  
FIG. 9 is a bottom view thereof.

The features shown in broken lines in FIGS. 1-8 are for illustrating environmental structure and form no part of the claimed design. The broken lines that appear on the surface of the claimed design and specifically, the broken lines appearing adjacent to the tote bag zippers, the broken lines bisecting the front compartments, and the broken lines appearing at the bottom of the tote bag, represent stitching and do not form part of the claim. The broken lines adjacent to the top portion of the tote bag represent the handle and do not form part of the claim.

**1 Claim, 7 Drawing Sheets**



(56)

**References Cited**

U.S. PATENT DOCUMENTS

D690,507	S *	10/2013	Hall	.....	D3/232
D718,529	S *	12/2014	Wang	.....	D3/290
D720,131	S *	12/2014	Siegel	.....	D3/233
D720,925	S *	1/2015	Jones	.....	D3/232
2002/0092588	A1 *	7/2002	Ka Fai Au	.....	A45C 3/06 150/103
2009/0194208	A1 *	8/2009	Chang	.....	A45C 3/06 150/106
2011/0317943	A1 *	12/2011	Russo	.....	A45C 3/04 383/95
2013/0233901	A1 *	9/2013	Robinson	.....	A45F 3/00 224/579
2015/0000805	A1 *	1/2015	Whitaker	.....	A45C 3/08 150/105

\* cited by examiner

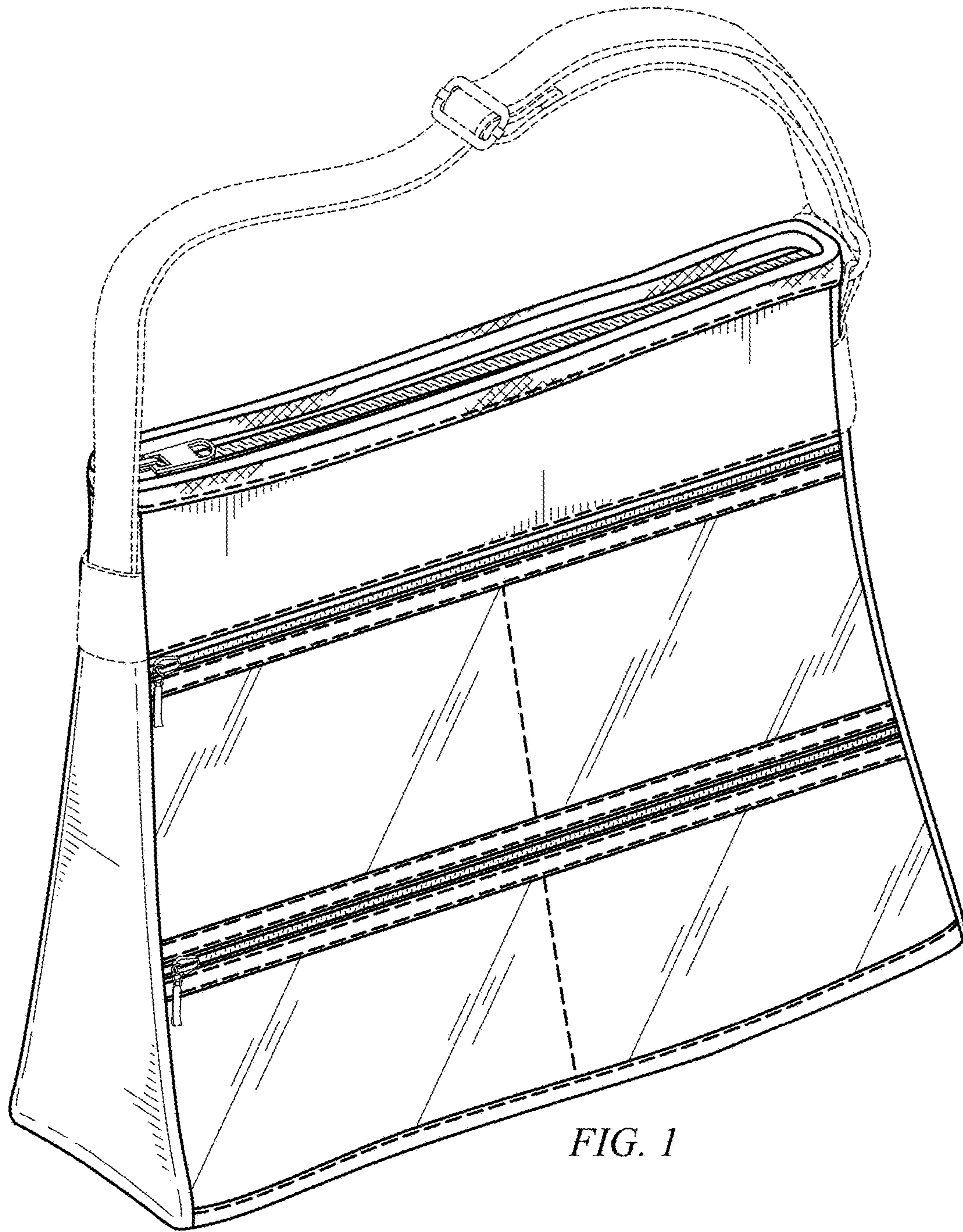


FIG. 1



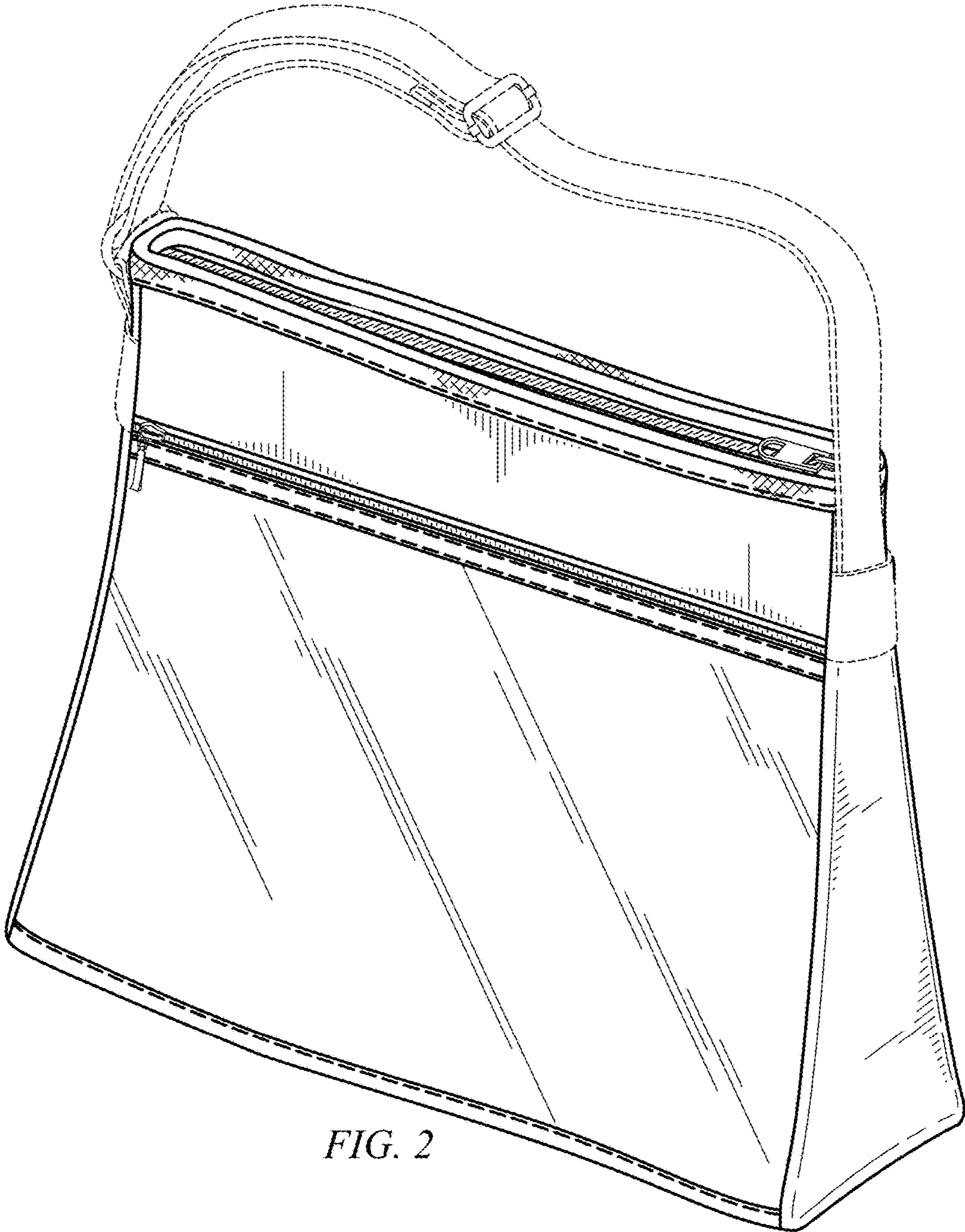


FIG. 2

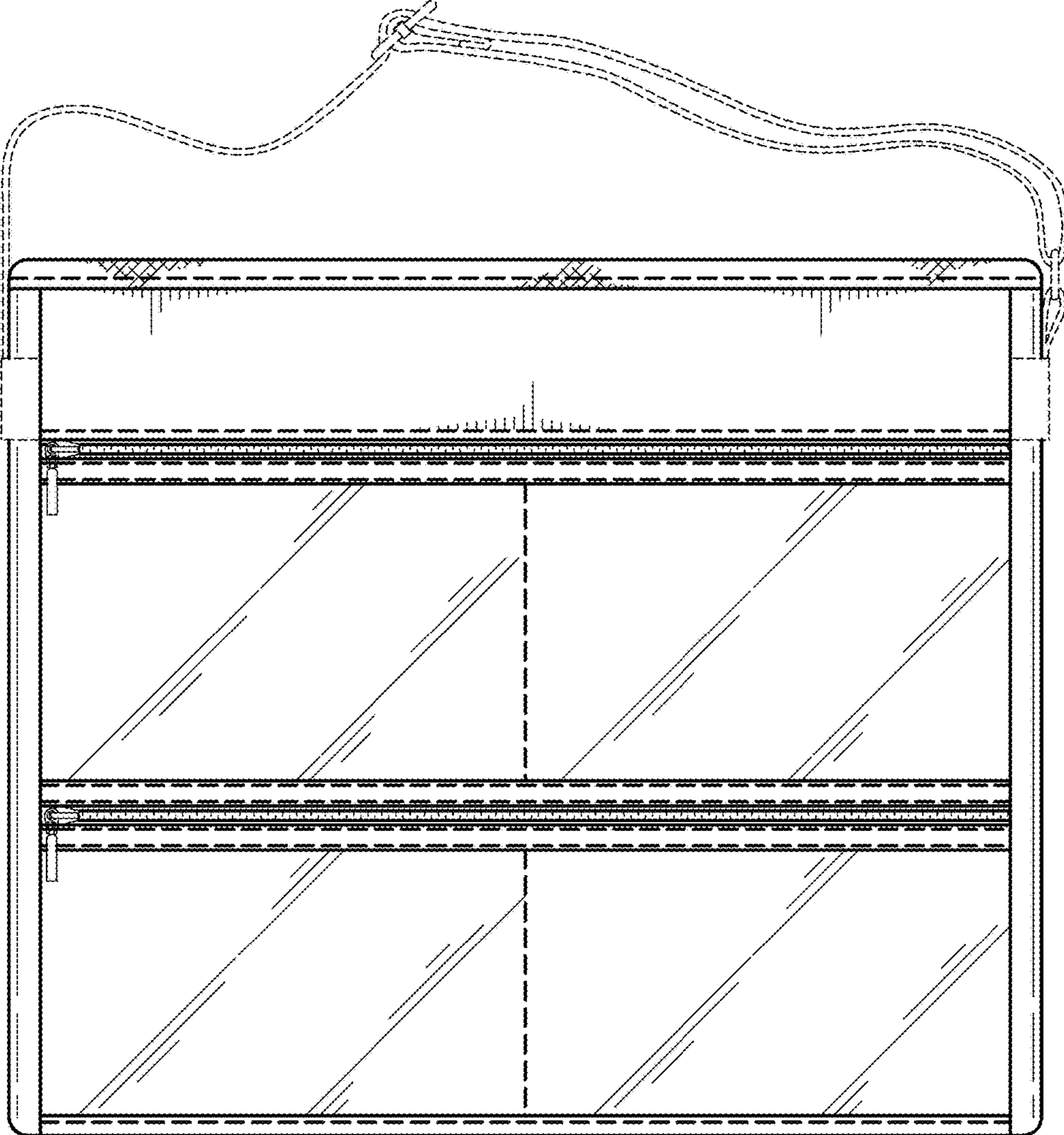


FIG. 3

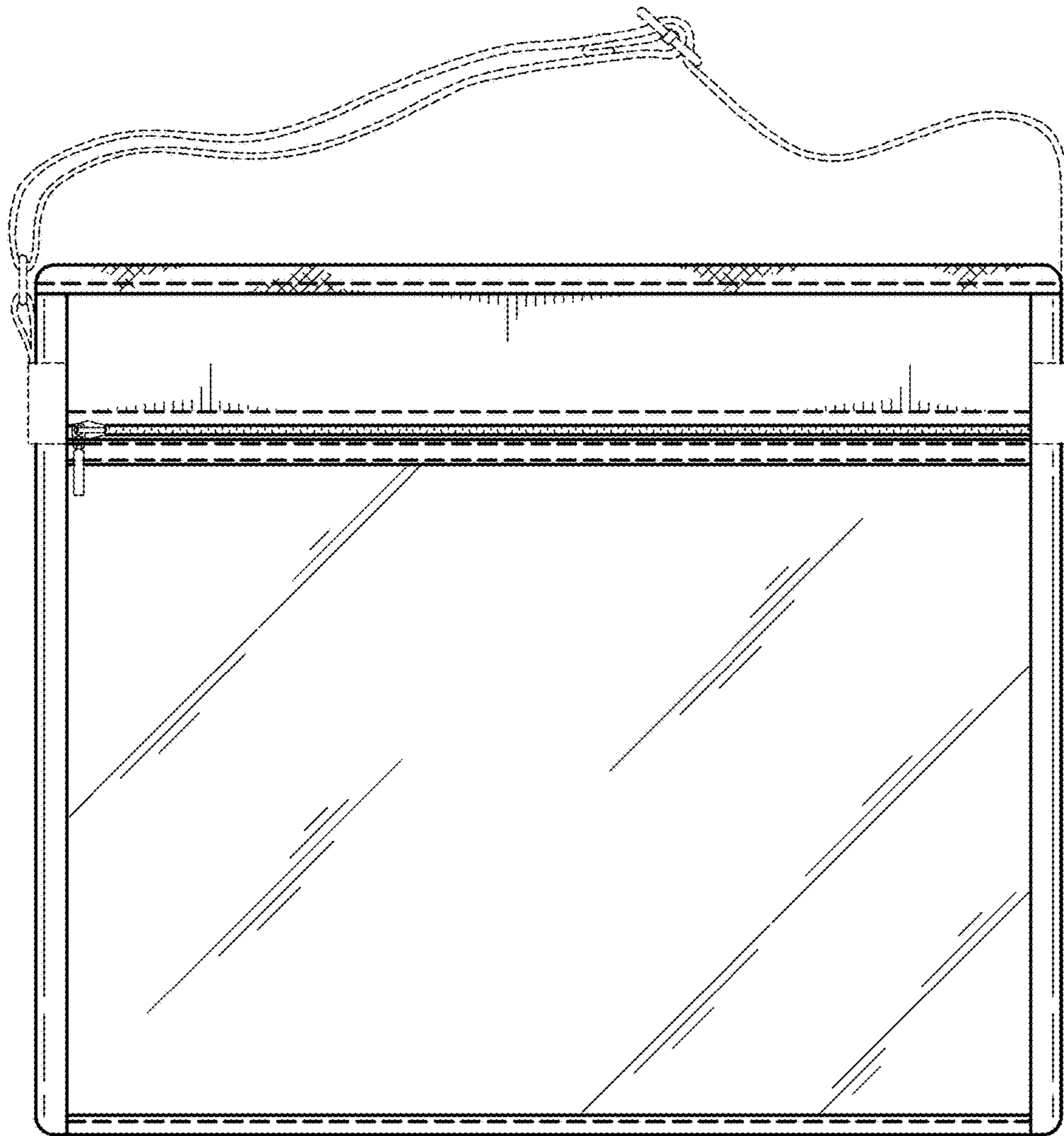


FIG. 4

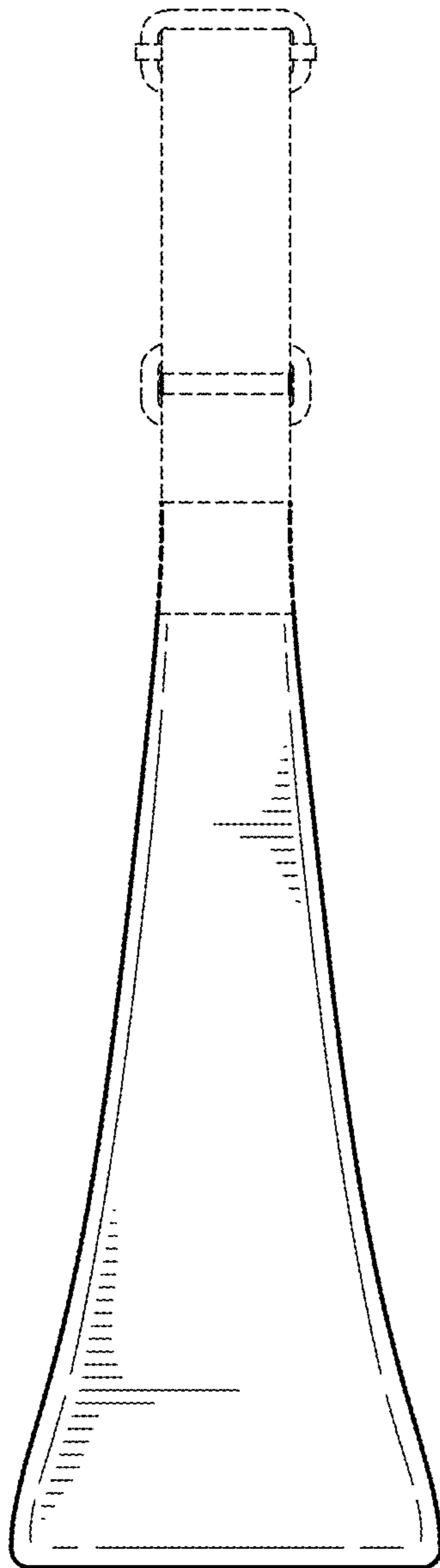


FIG. 5

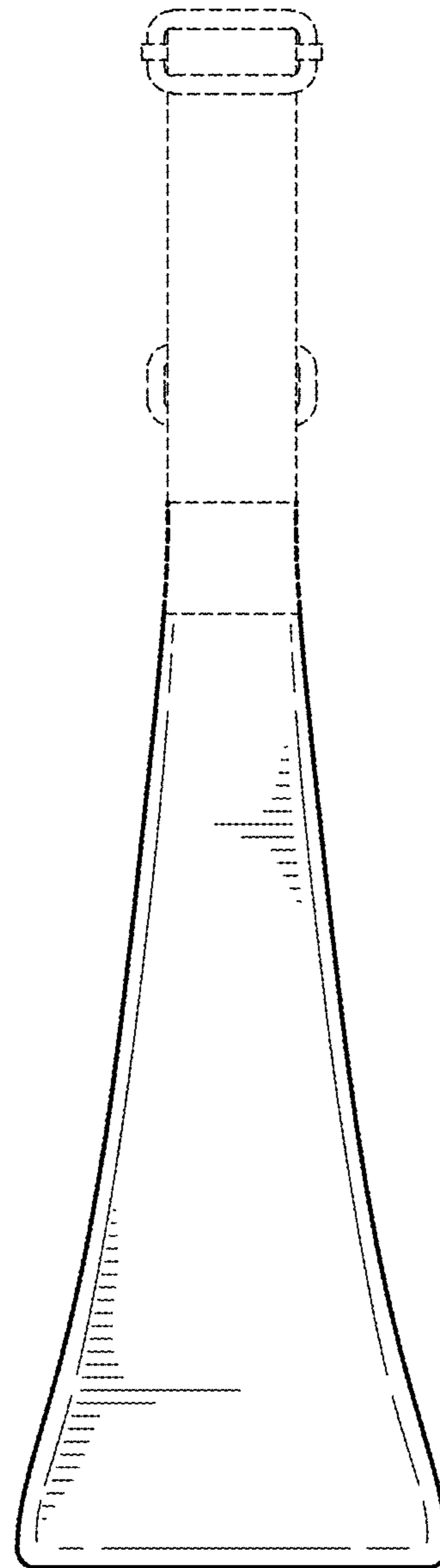


FIG. 6



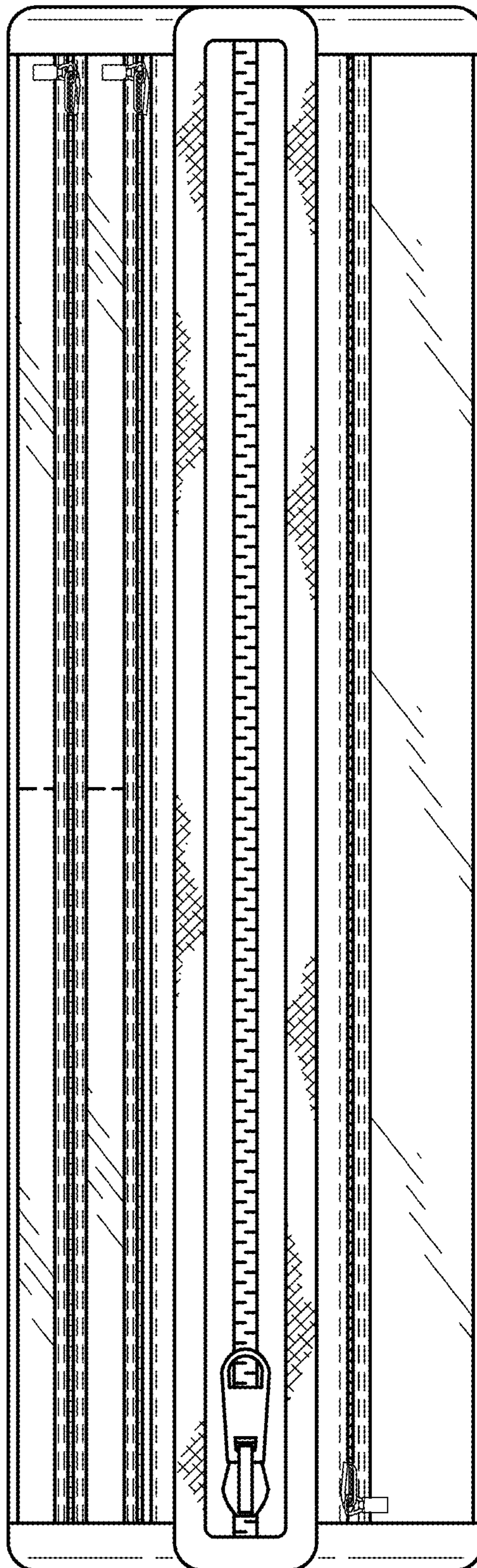


FIG. 7



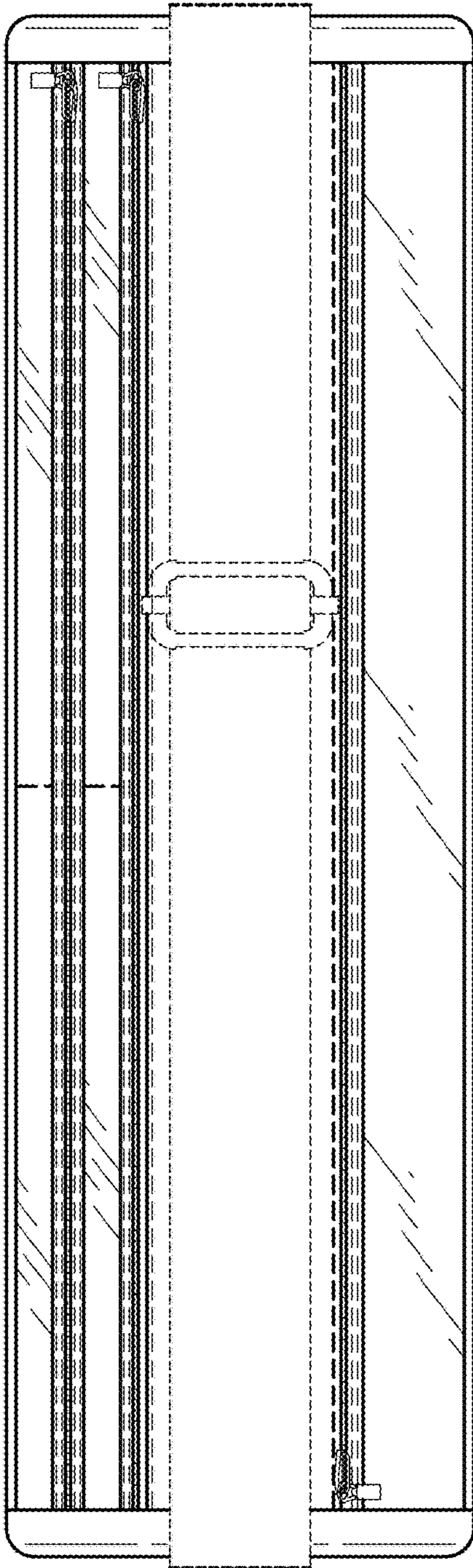


FIG. 8

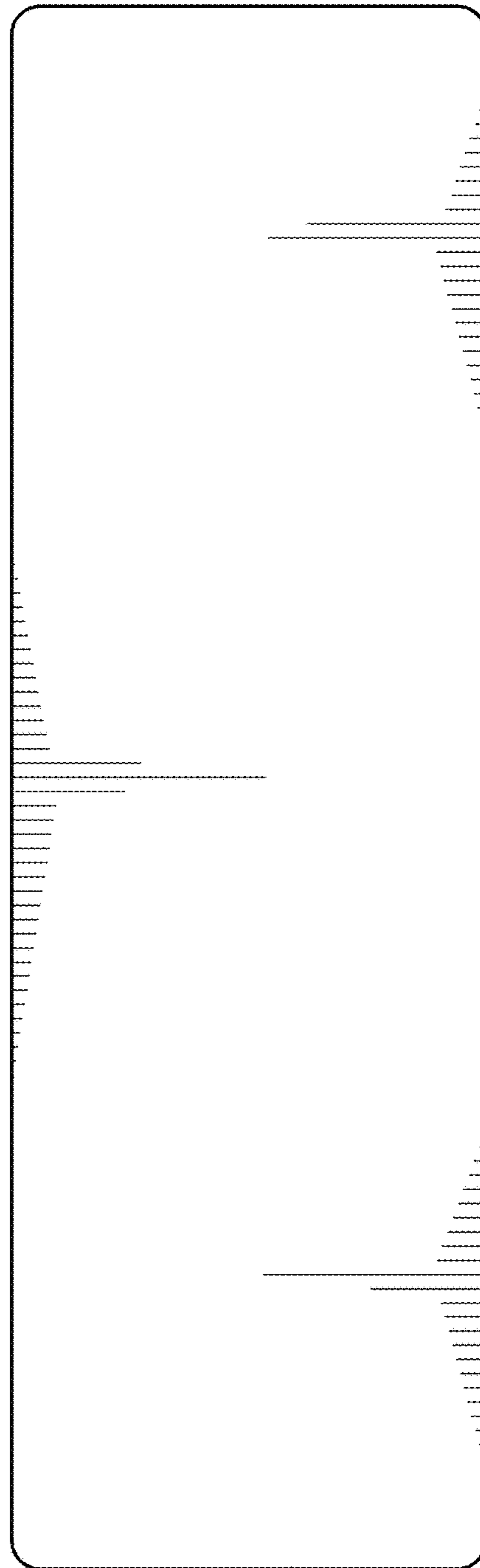


FIG. 9