



US00D782186S

(12) **United States Design Patent**
Gellert

(10) **Patent No.:** **US D782,186 S**

(45) **Date of Patent:** **** Mar. 28, 2017**

(54) **BREACHER BAG**

D473,048 S * 4/2003 DiLorenzo D3/226
D586,553 S * 2/2009 Kiss D3/224
D759,961 S * 6/2016 Ma D3/226

(71) Applicant: **Apex-Pred LLC**, Cocoa Beach, FL
(US)

* cited by examiner

(72) Inventor: **Daniel Mark Gellert**, Southern Pines,
NC (US)

Primary Examiner — Catheri Oliver-Garcia
(74) *Attorney, Agent, or Firm* — Workman Nydegger

(73) Assignee: **Apex-Pred LLC**, Orlando, FL (US)

(57) **CLAIM**

(**) Term: **14 Years**

The ornamental design for a breacher bag, as shown and described.

(21) Appl. No.: **29/521,088**

DESCRIPTION

(22) Filed: **Mar. 19, 2015**

Related U.S. Application Data

(63) Continuation of application No. 14/120,442, filed on
Jul. 29, 2014, now abandoned.

(51) **LOC (10) Cl.** **03-01**

(52) **U.S. Cl.**
USPC **D3/226**

(58) **Field of Classification Search**

USPC D3/226, 215, 224, 228, 221; 224/219,
224/222, 267, 269, 192, 224, 904
CPC A45F 5/00; A45F 5/02; A45F 5/021; A45F
5/022; A45F 2005/00; A45F 2005/008;
A45F 2005/02; A45F 2200/05; A45F
2200/0516; A45F 2005/006

See application file for complete search history.

FIG. 1 is a top, right front perspective view of my new design for a breacher bag, shown in use;
FIG. 2 is a top, right and front perspective view thereof;
FIG. 3 is a bottom plan view thereof;
FIG. 4 is a top plan view thereof;
FIG. 5 is a left side view thereof;
FIG. 6 is a right side view thereof;
FIG. 7 is a front view thereof; and
FIG. 8 is a rear view thereof;
FIG. 9 is an upper, right perspective view showing the design in a different configuration;
FIG. 10 is top plan view thereof;
FIG. 11 is a bottom plan view thereof;
FIG. 12 is a right side view thereof;
FIG. 13 is a left side view thereof;
FIG. 14 is a front view thereof; and,
FIG. 15 is a rear view thereof.

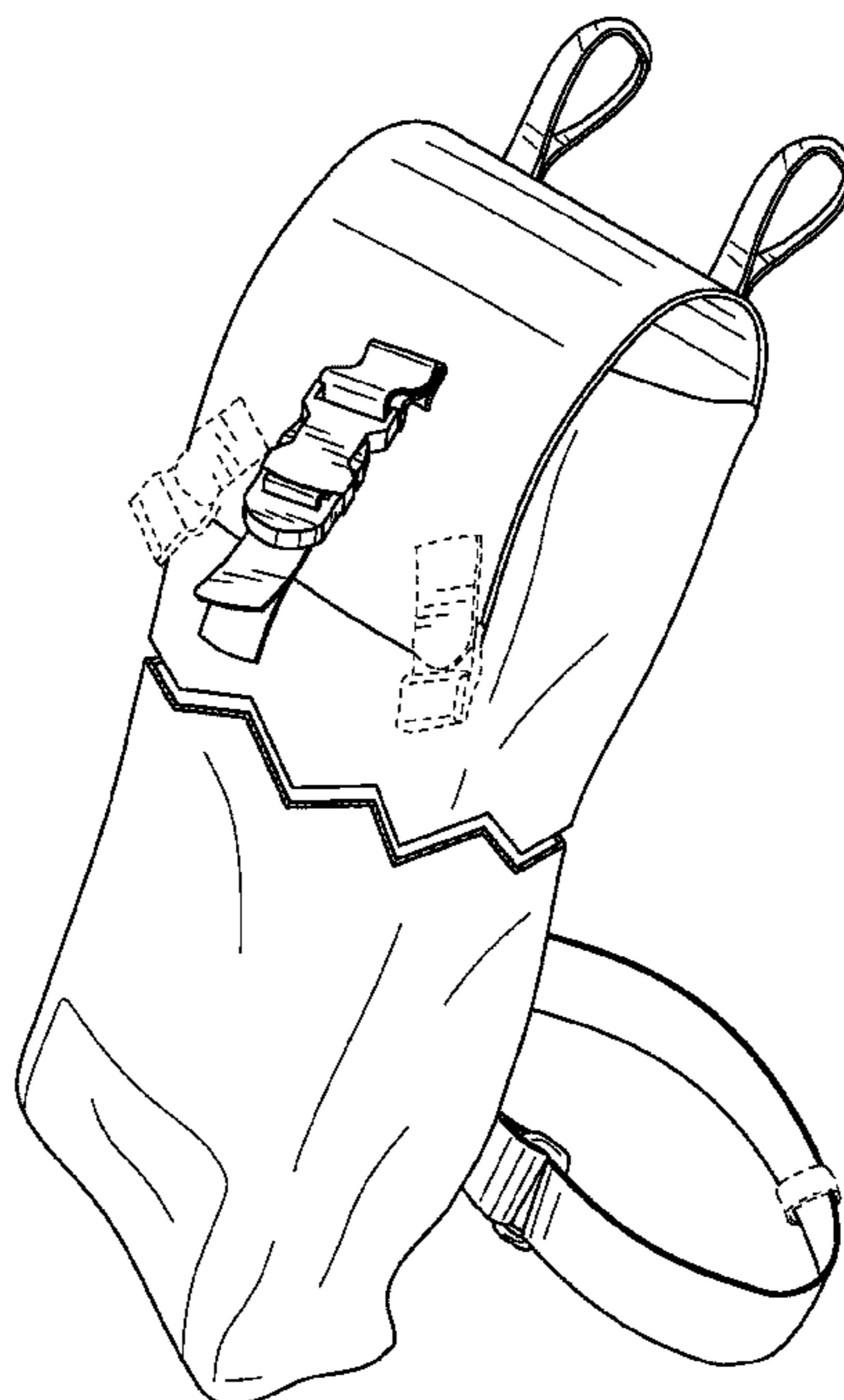
The broken lines depicting environmental structure are for illustrative purposes only and form no part of the claimed design. The break lines indicate that no particular length is being claimed.

(56) **References Cited**

U.S. PATENT DOCUMENTS

D417,072 S * 11/1999 Reinhart D3/226
D435,338 S * 12/2000 DiLorenzo D3/226

1 Claim, 11 Drawing Sheets



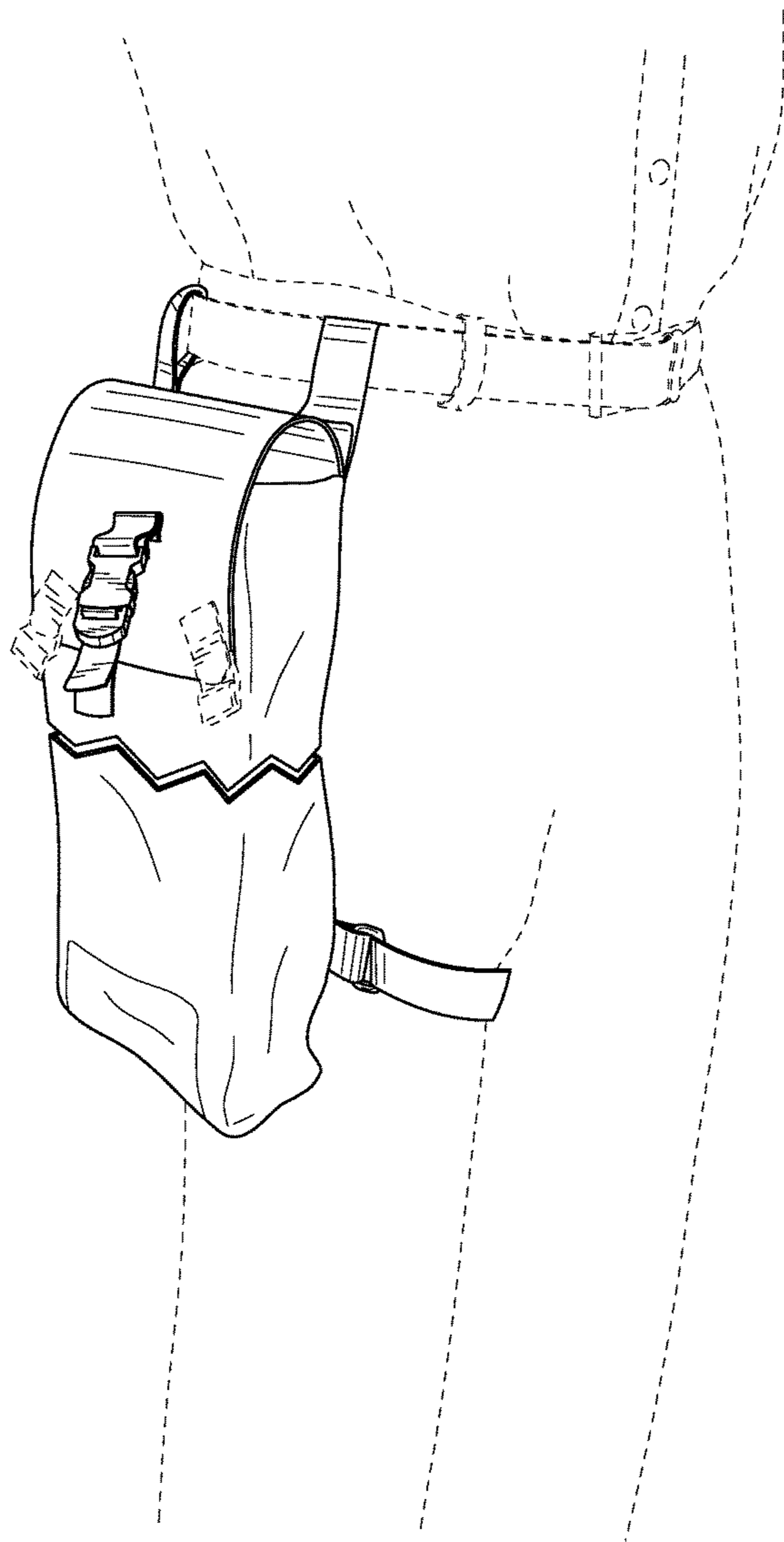


FIG. 1

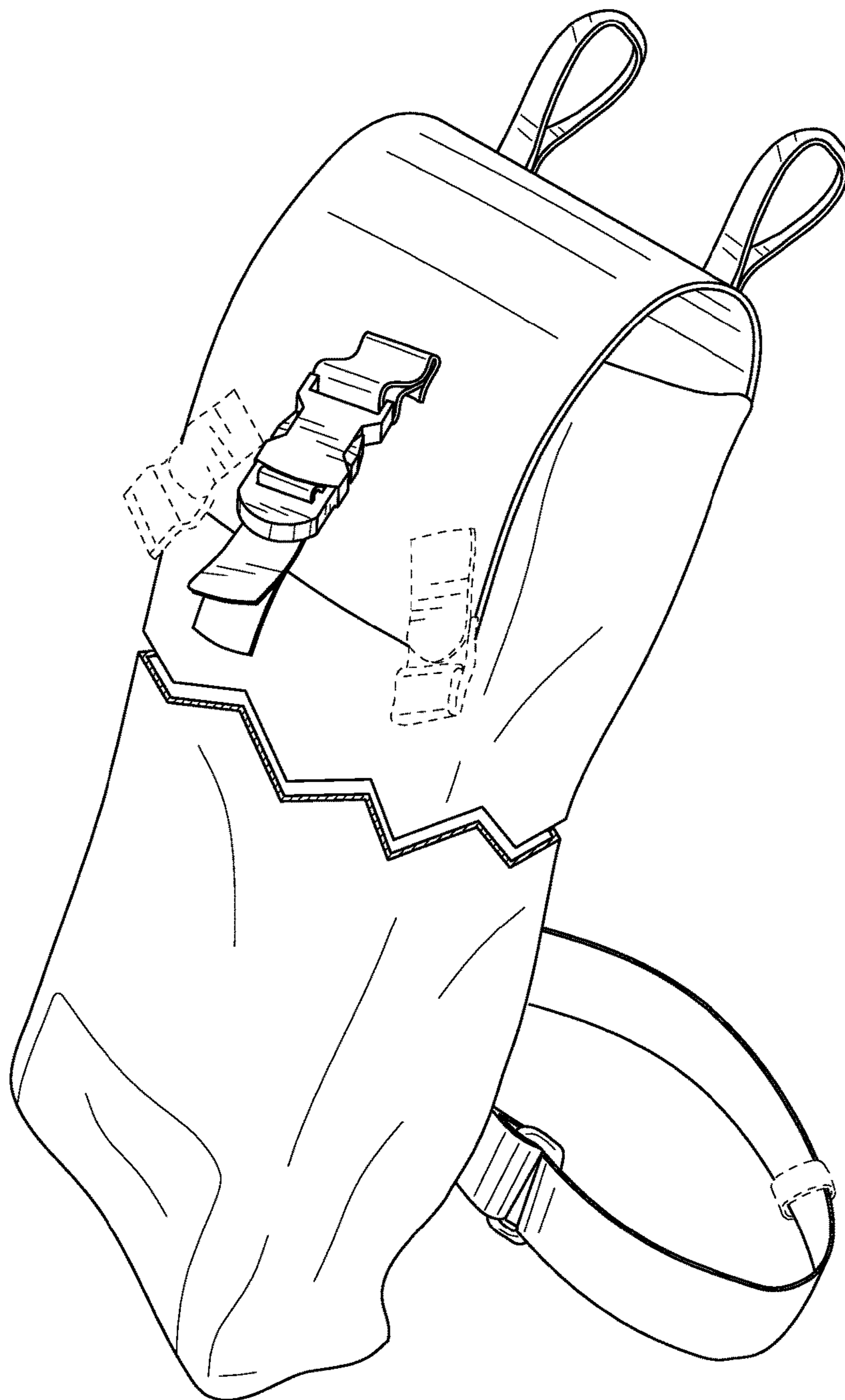


FIG. 2

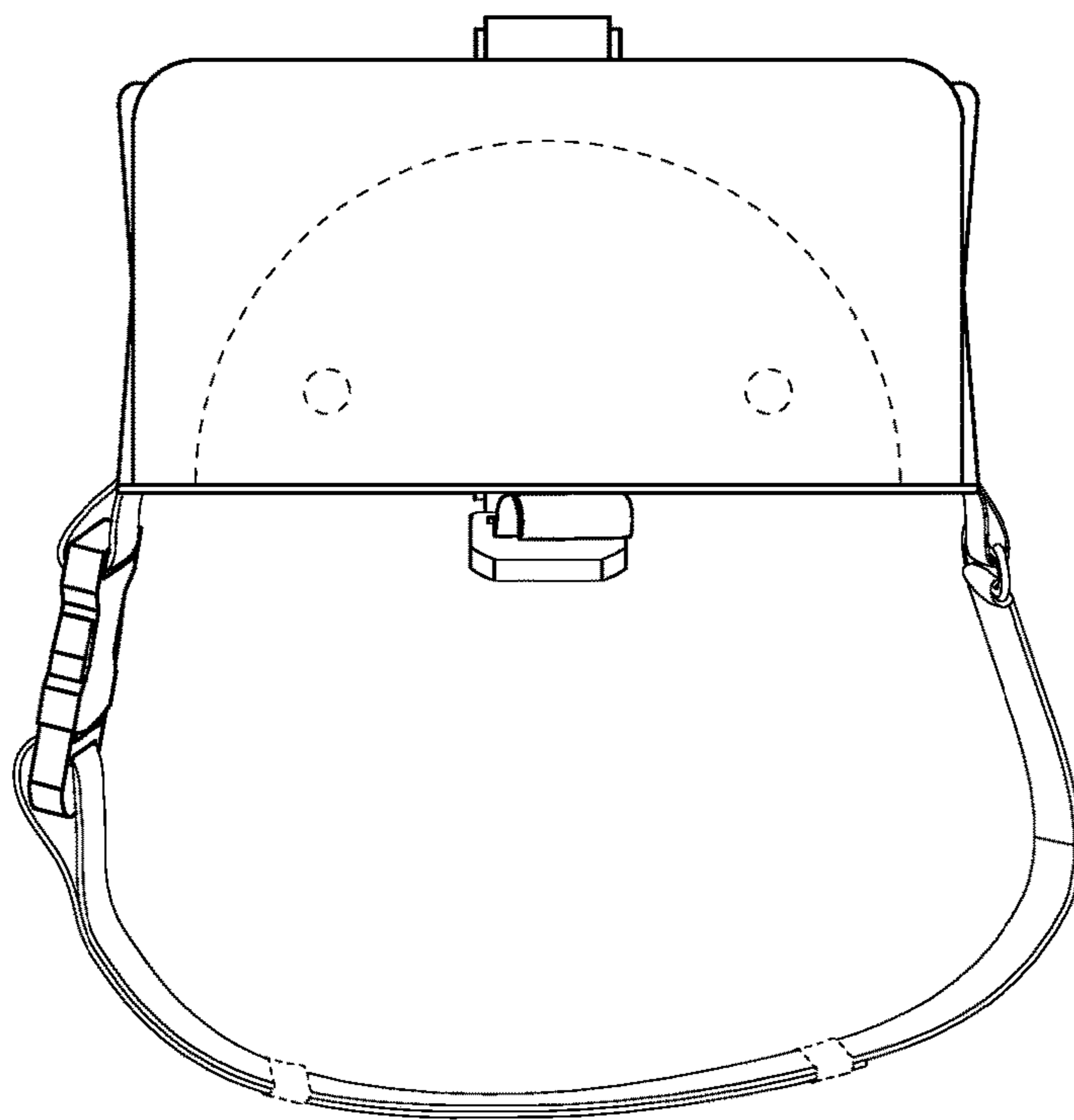


FIG. 3

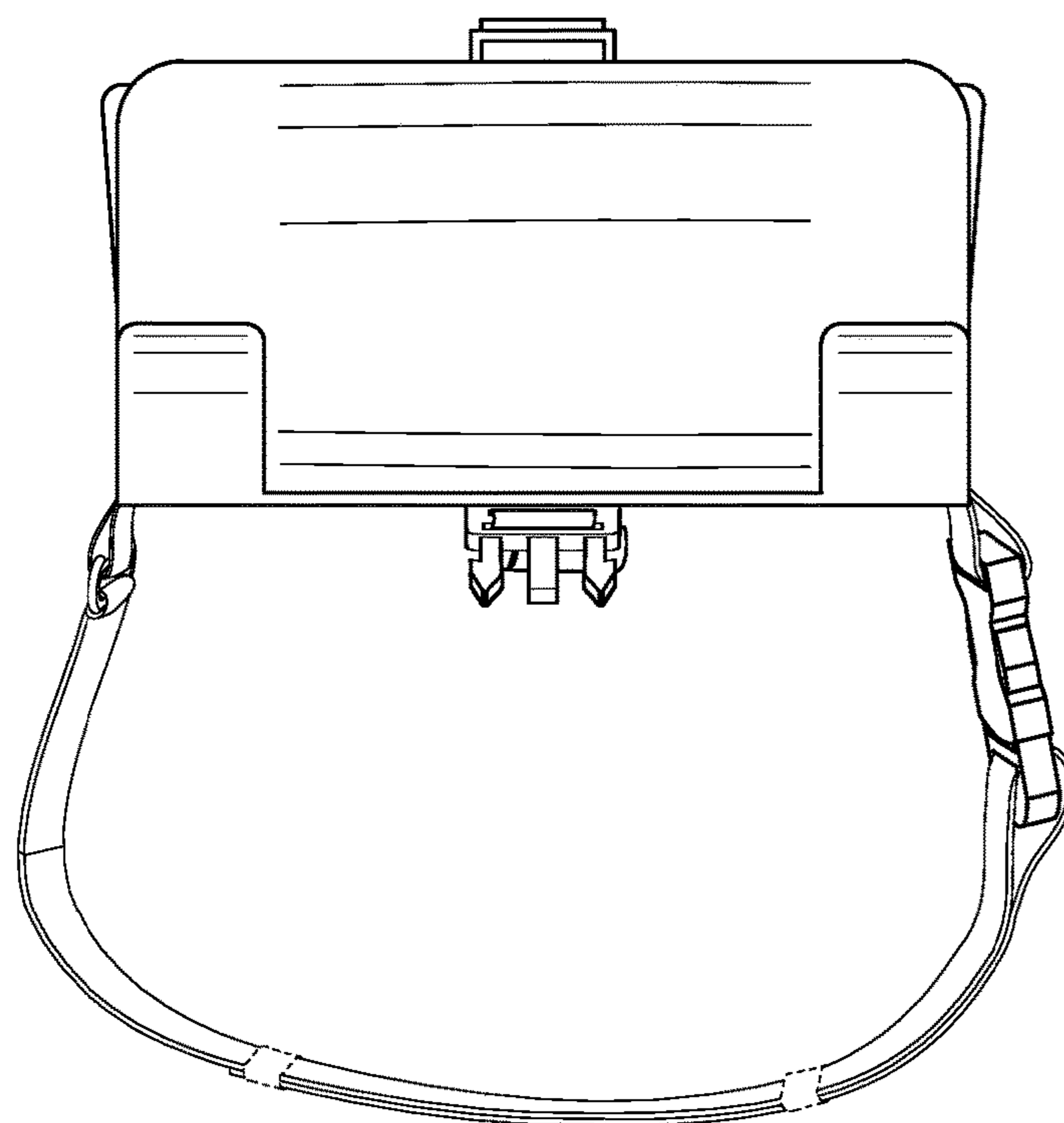


FIG. 4

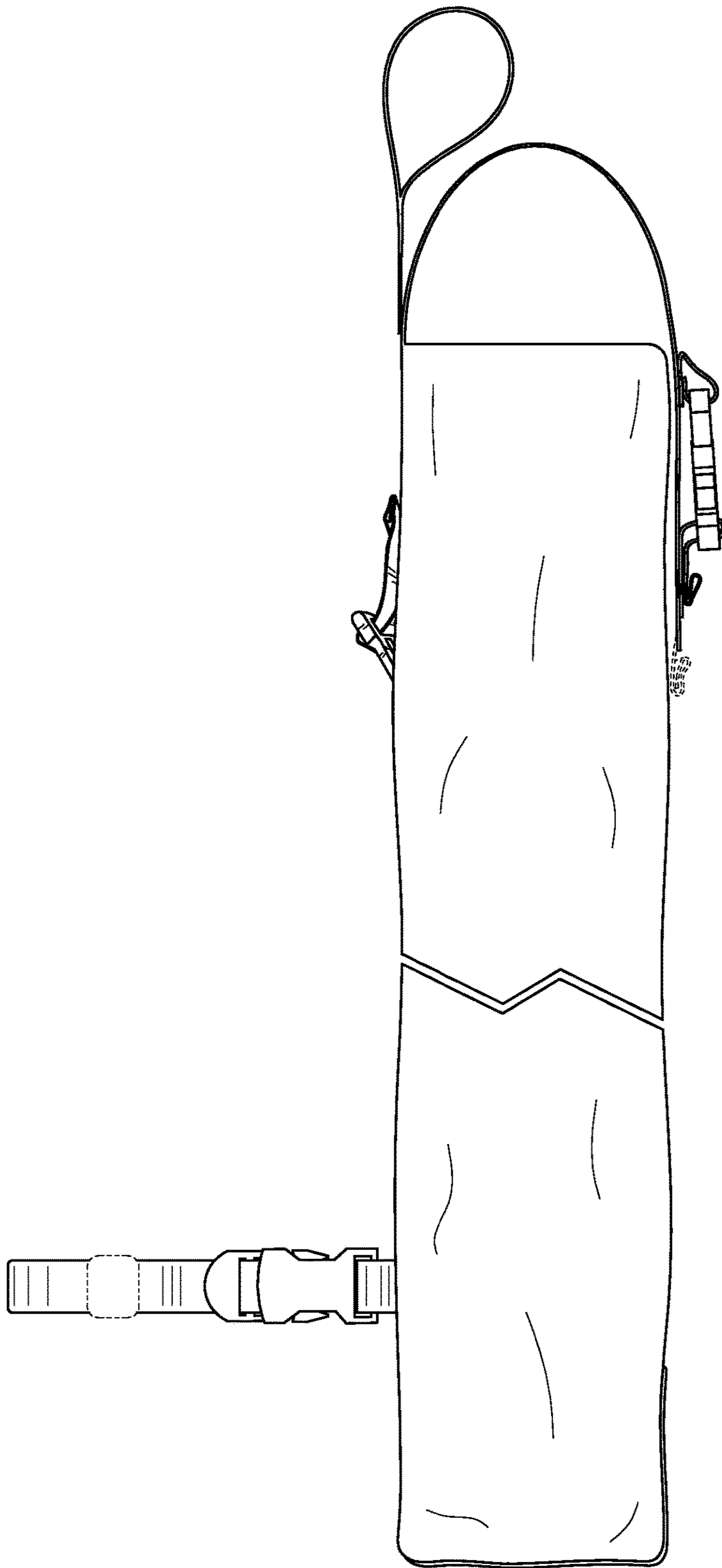


FIG. 5

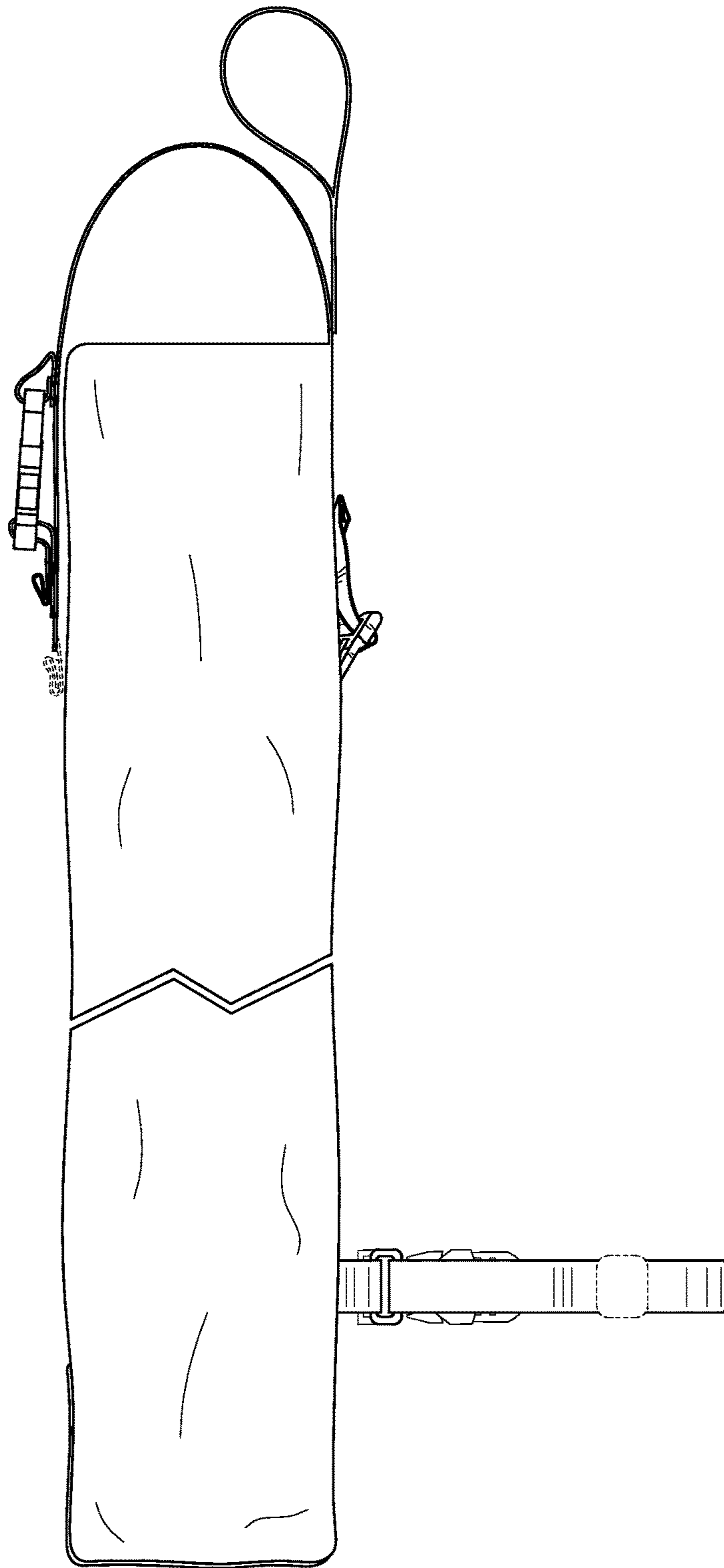


FIG. 6

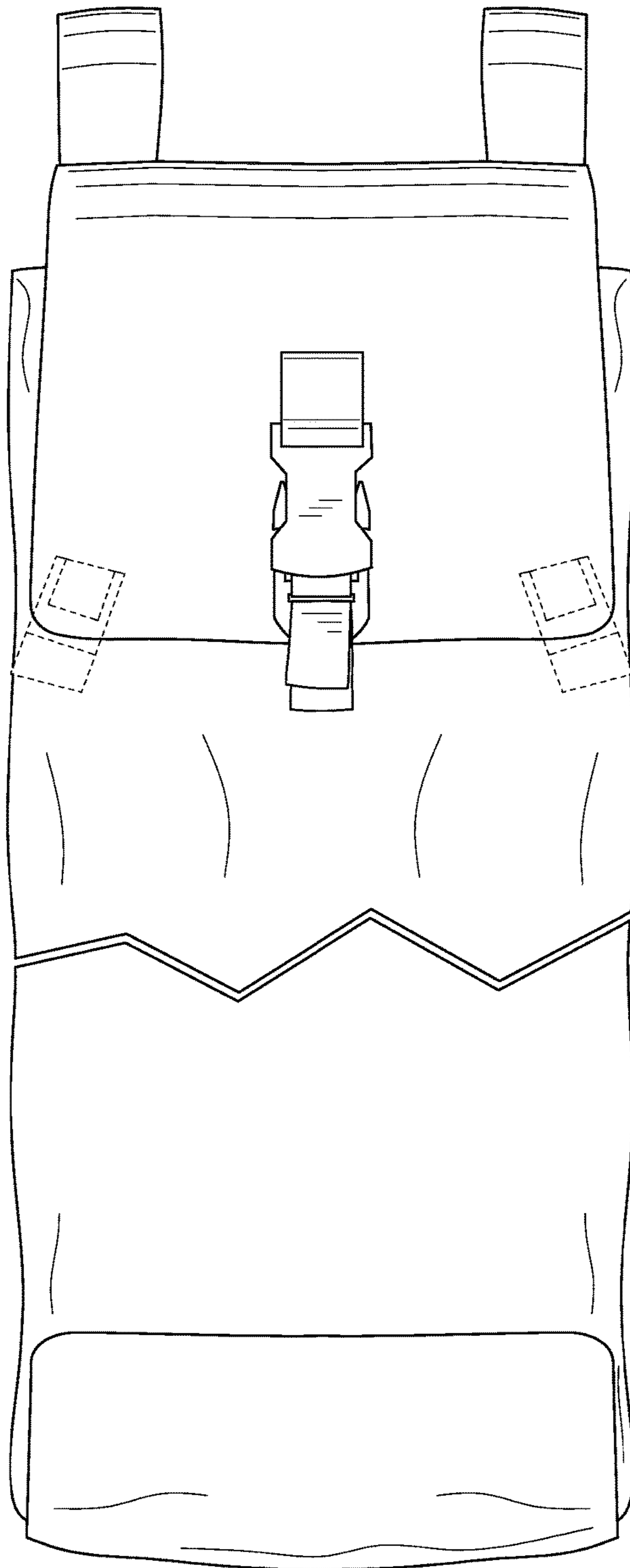


FIG. 7

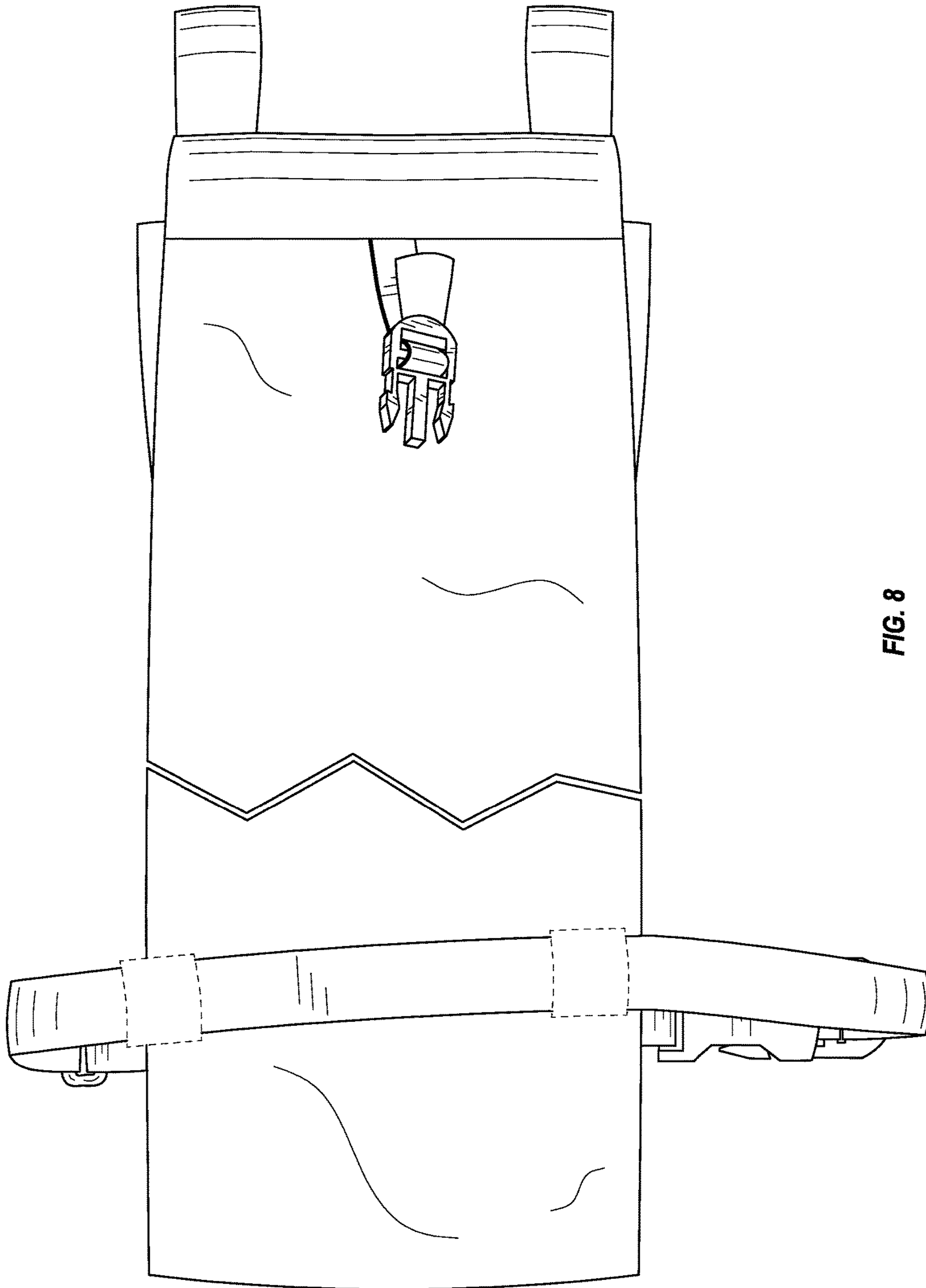


FIG. 8

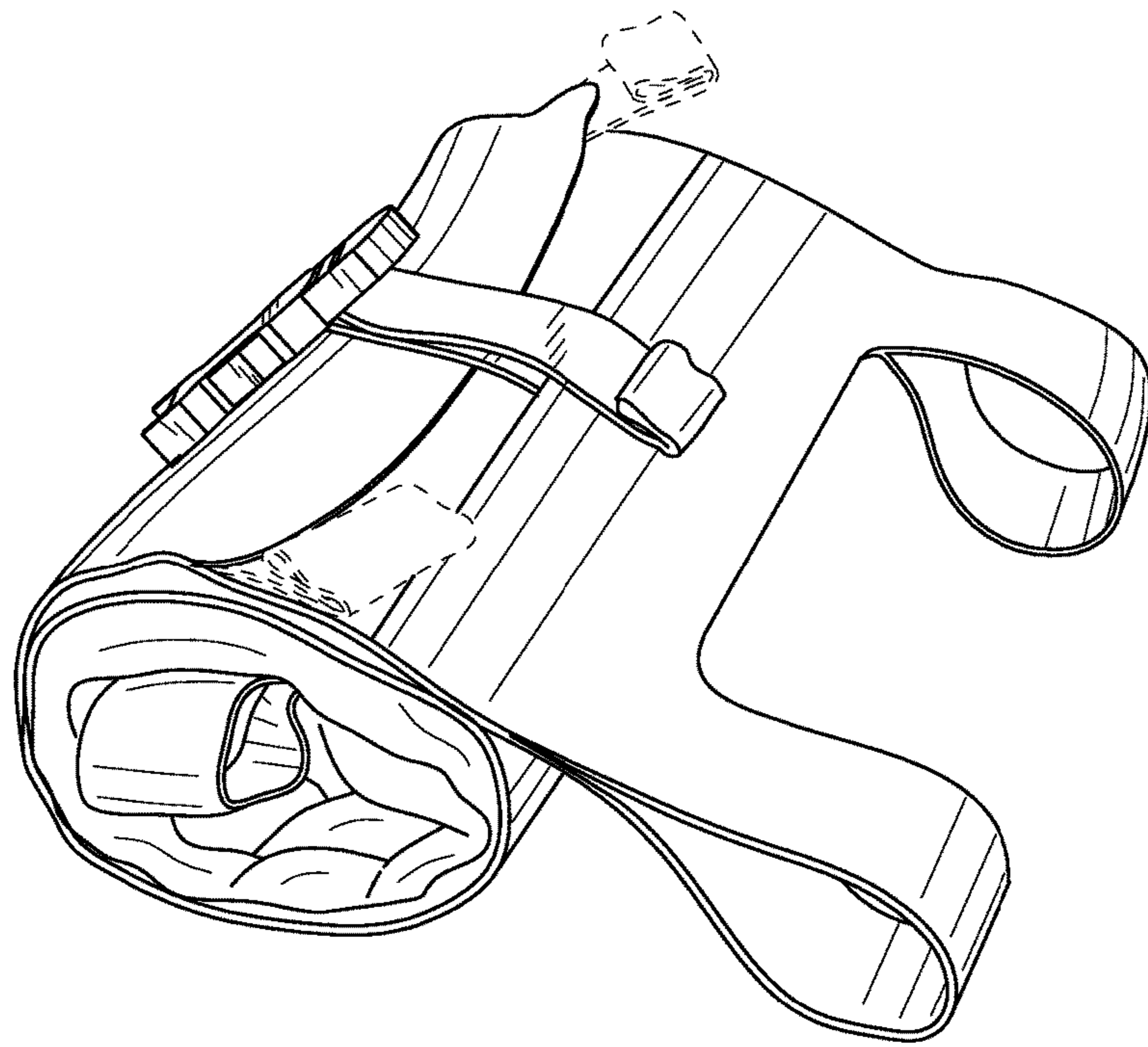


FIG. 9

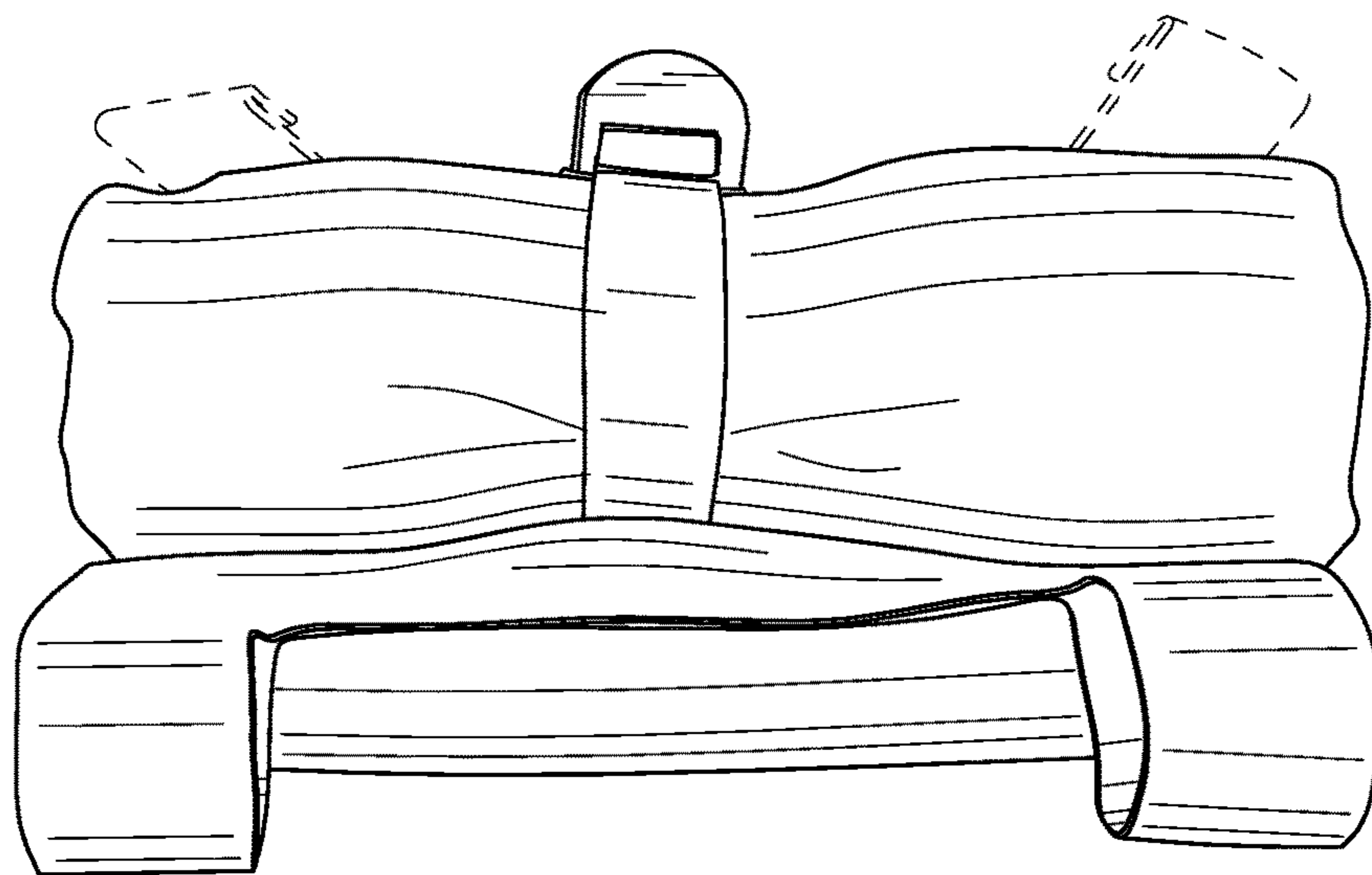


FIG. 10

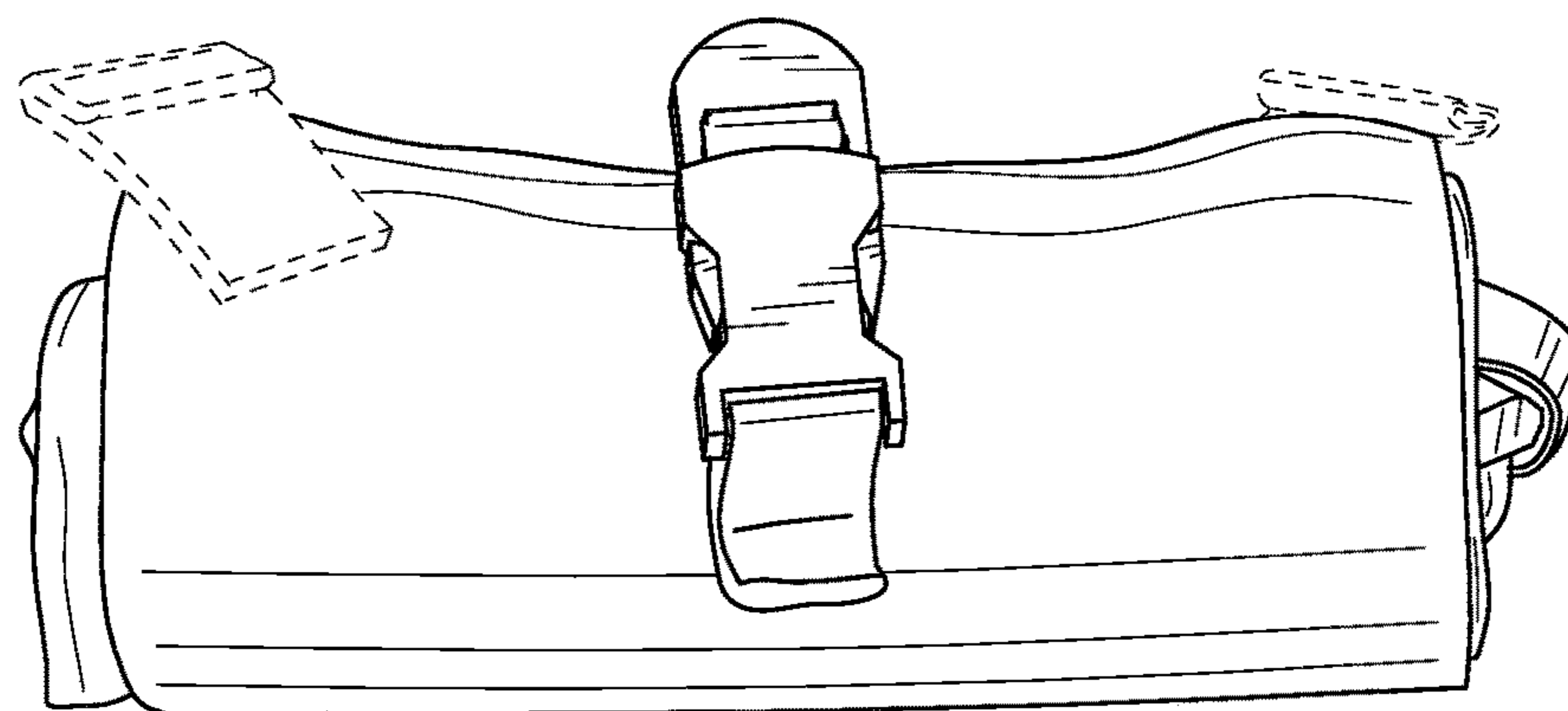


FIG. 11

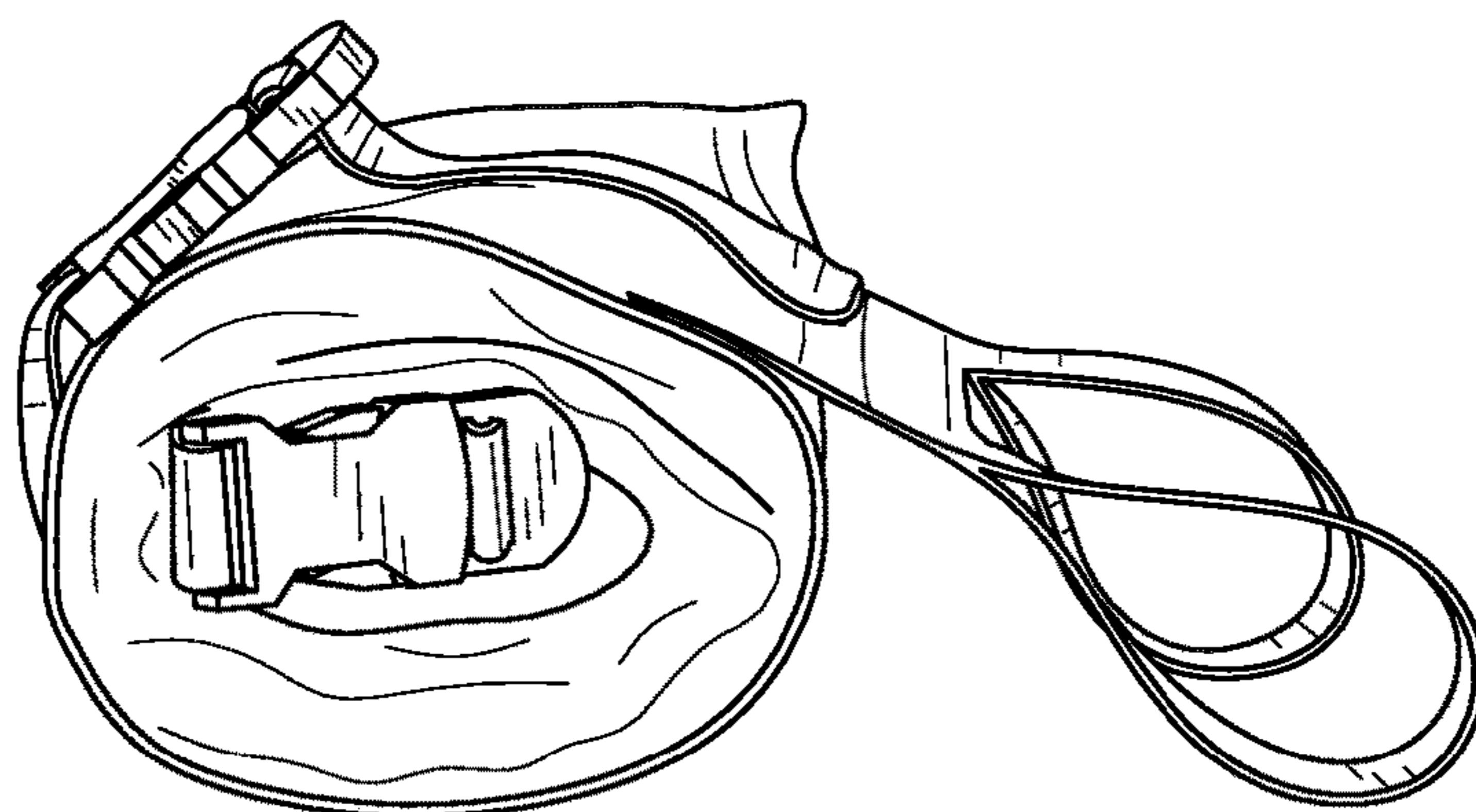


FIG. 12

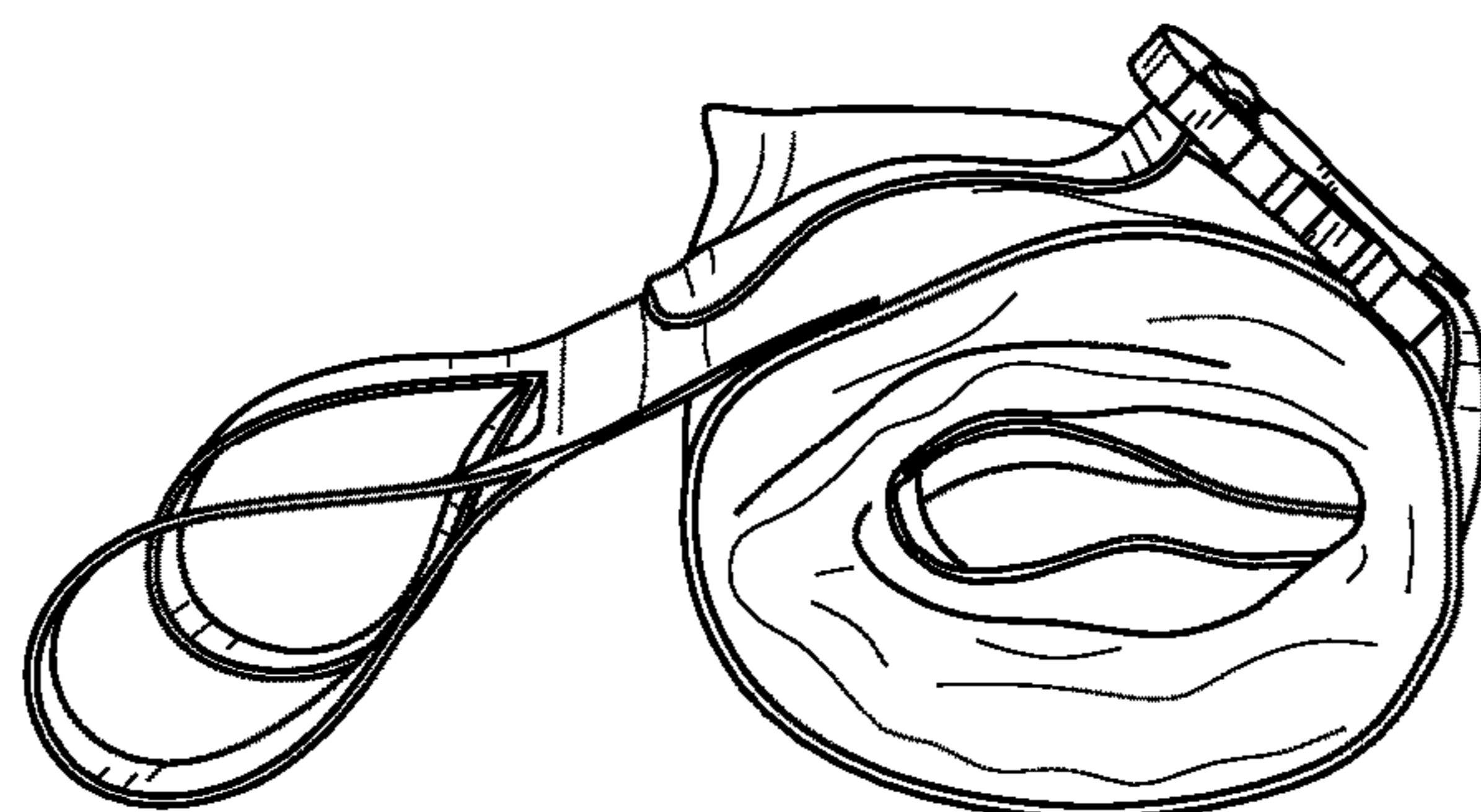


FIG. 13

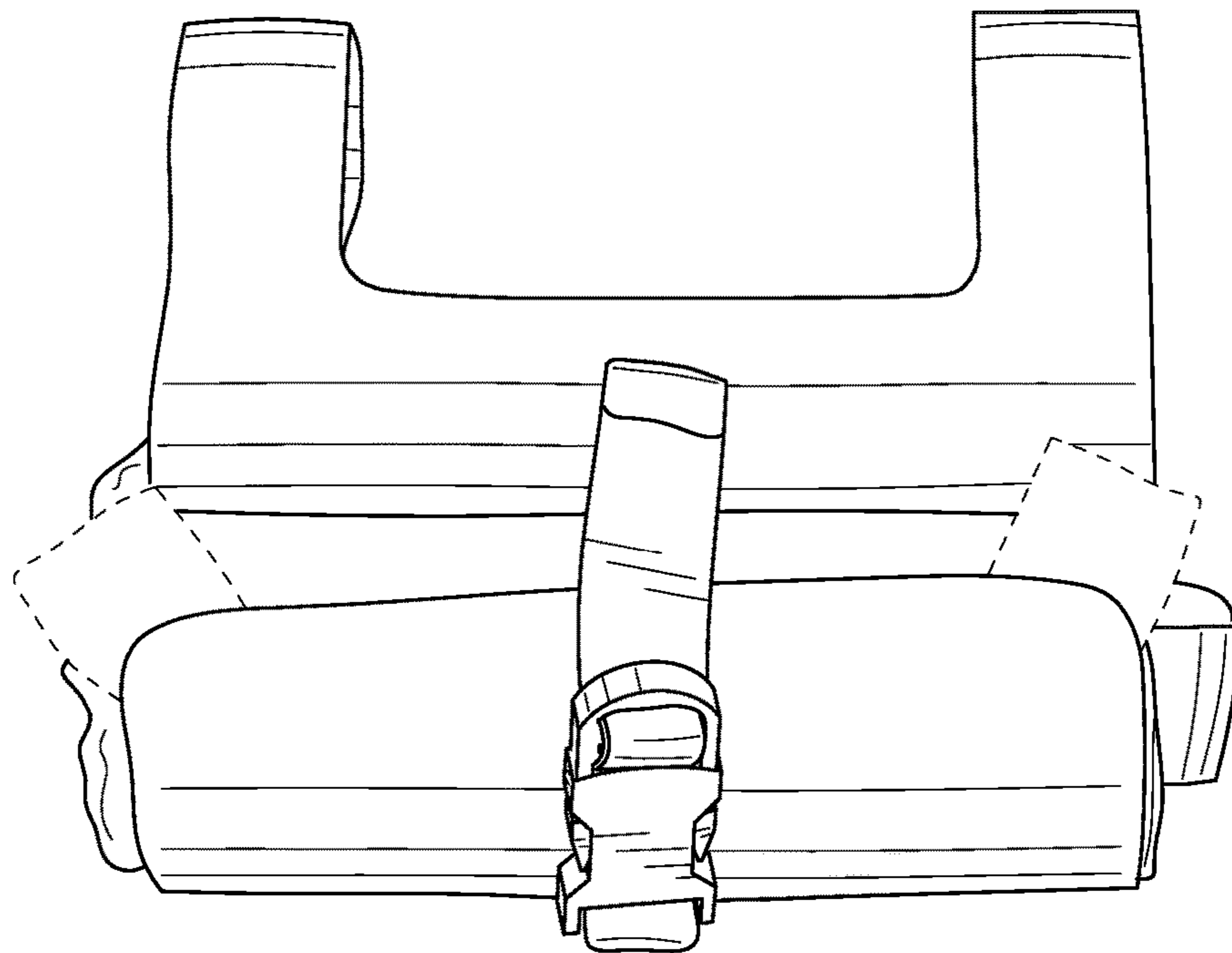


FIG. 14

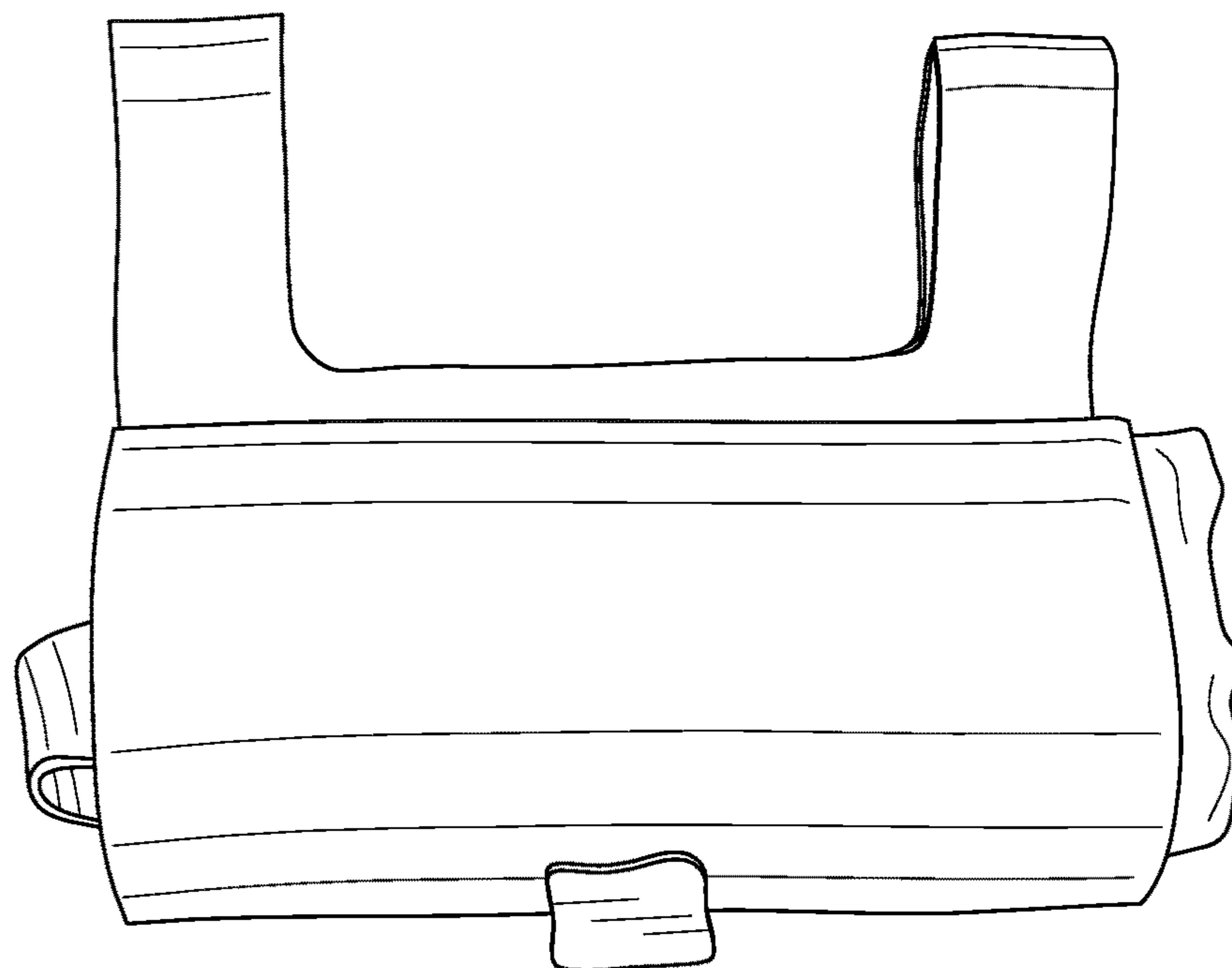


FIG. 15