



US00D782185S

(12) **United States Design Patent**  
**Lederer**

(10) **Patent No.:** **US D782,185 S**  
(45) **Date of Patent:** **\*\* Mar. 28, 2017**

(54) **MOBILE DEVICE HOLDER WITH POCKET**

D675,828 S 2/2013 Baker  
D679,693 S \* 4/2013 Rashid ..... D14/250  
8,561,862 B2 \* 10/2013 Foggiato ..... A45F 5/00  
224/217

(71) Applicant: **Prime Resources Corp.**, Bridgeport, CT (US)

(Continued)

(72) Inventor: **Jeffrey Lederer**, Greenwich, CT (US)

**OTHER PUBLICATIONS**

(73) Assignee: **Prime Resources Corp.**, Bridgeport, CT (US)

This 'Just a Loop' Cord Is the Simplest iPhone Case You're Ever Going to Find; accessed from www.ohgizmo.com; accessed on Nov. 12, 2015; 5 pages.

(\*\*) Term: **15 Years**

(Continued)

(21) Appl. No.: **29/533,949**

*Primary Examiner* — Susan Bennett Hattan

*Assistant Examiner* — Janice Hallmark

(22) Filed: **Jul. 23, 2015**

(74) *Attorney, Agent, or Firm* — Myers Wolin, LLC

(51) **LOC (10) Cl.** ..... **03-01**

(57) **CLAIM**

(52) **U.S. Cl.**

The ornamental design for a mobile device holder with pocket, as shown and described.

USPC ..... **D3/218**; D3/247; D14/252

**DESCRIPTION**

(58) **Field of Classification Search**

USPC ..... D14/253, 432, 434, 440, 447, 439, 451, D14/452, 457, 250, 251, 252; D12/415, D12/114, 420, 417, 223, 407, 177; D6/406.3, 406.4, 406.5, 406.6, 310, 407; D3/218, 208, 247, 249; D8/349; 455/575.1

FIG. 1 is a front elevation view of a mobile device holder with pocket showing my new design; FIG. 2 is a left side elevation view thereof; FIG. 3 is a right side elevation view thereof; FIG. 4 is a top view thereof; FIG. 5 is a bottom view thereof; FIG. 6 is a rear elevation view thereof; FIG. 7 is a cross-section taken along line 7-7 in FIG. 3; FIG. 8 is a front elevation view of a second embodiment of a mobile device holder with pocket showing my new design; FIG. 9 is a left side elevation view thereof; FIG. 10 is a right side elevation view thereof; FIG. 11 is a top view thereof; FIG. 12 is a bottom view thereof; and, FIG. 13 is a rear elevation view thereof.

CPC ..... H04M 1/04; H04M 1/06; H04M 1/11; H04M 1/12; F16M 13/00; B60R 11/00; B60R 11/02; B60R 7/00; H05K 7/00; G03B 17/56; G03B 17/561; A45F 5/02

See application file for complete search history.

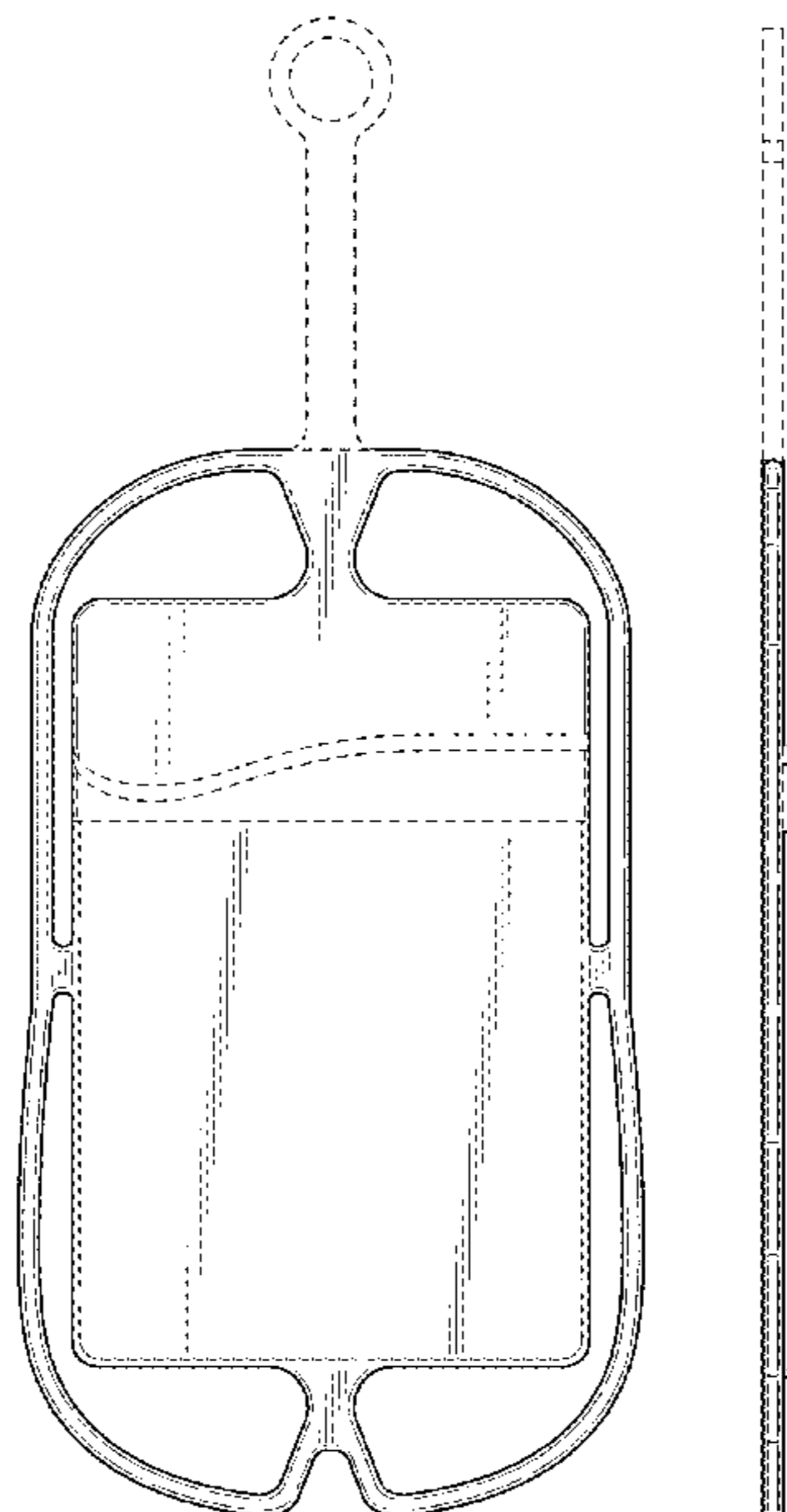
The broken lines in the drawings depict parts of the mobile device holder with pocket that form no part of the claimed design.

(56) **References Cited**

**U.S. PATENT DOCUMENTS**

6,662,986 B2 \* 12/2003 Lehtonen ..... A45F 5/02  
224/222  
D659,384 S \* 5/2012 January ..... D3/218  
D673,162 S 12/2012 Young

**1 Claim, 5 Drawing Sheets**





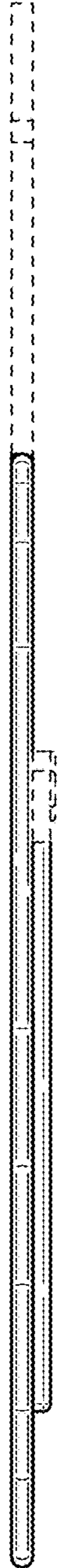


FIG. 2



FIG. 4

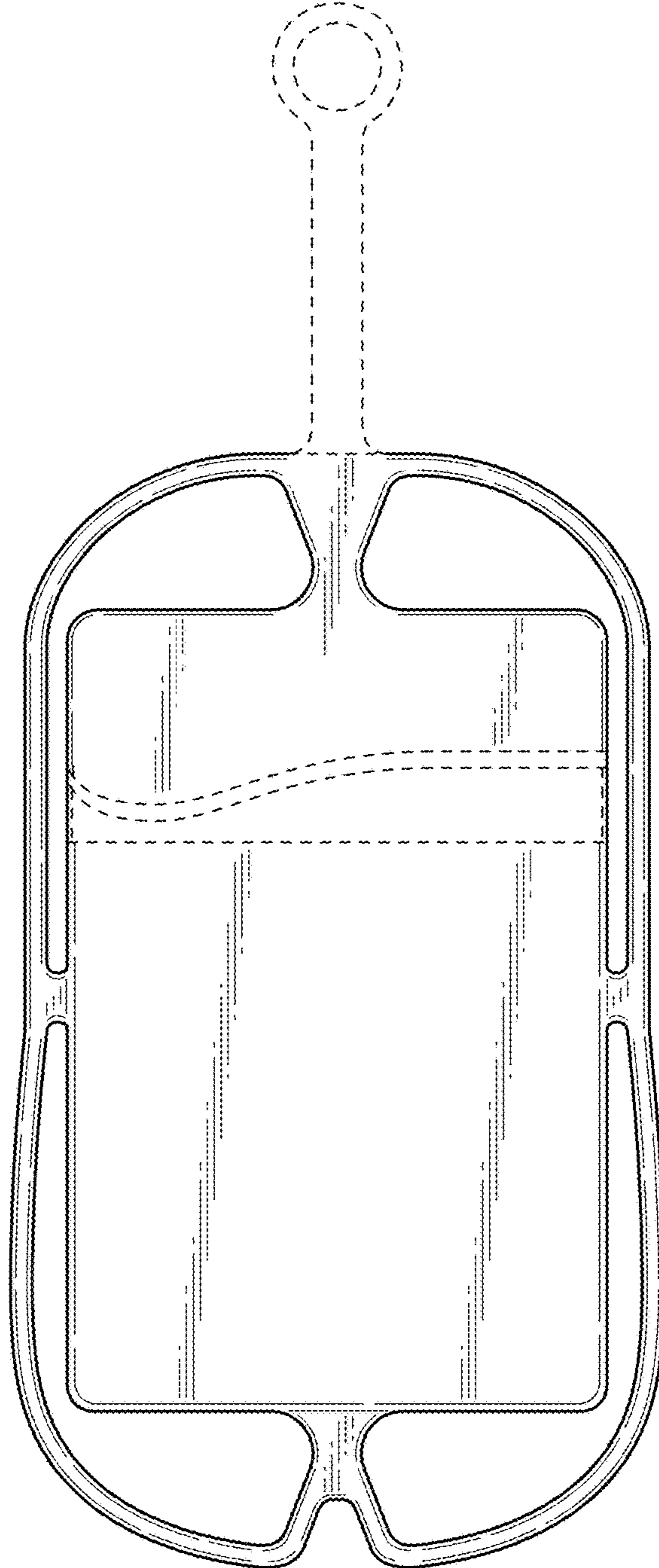


FIG. 1

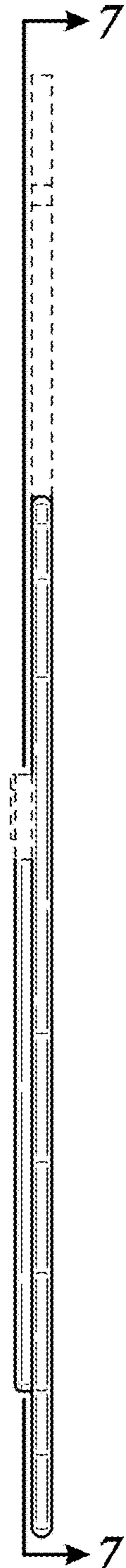
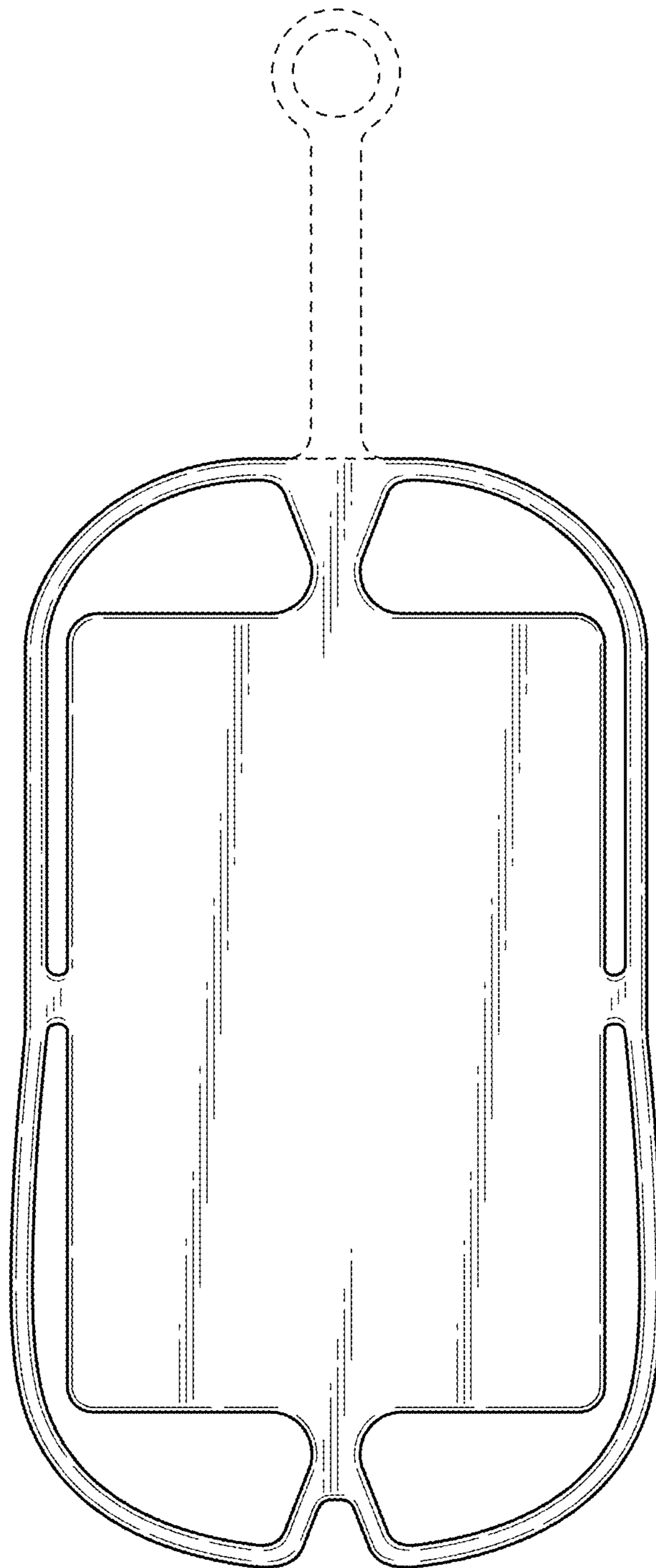


FIG. 3

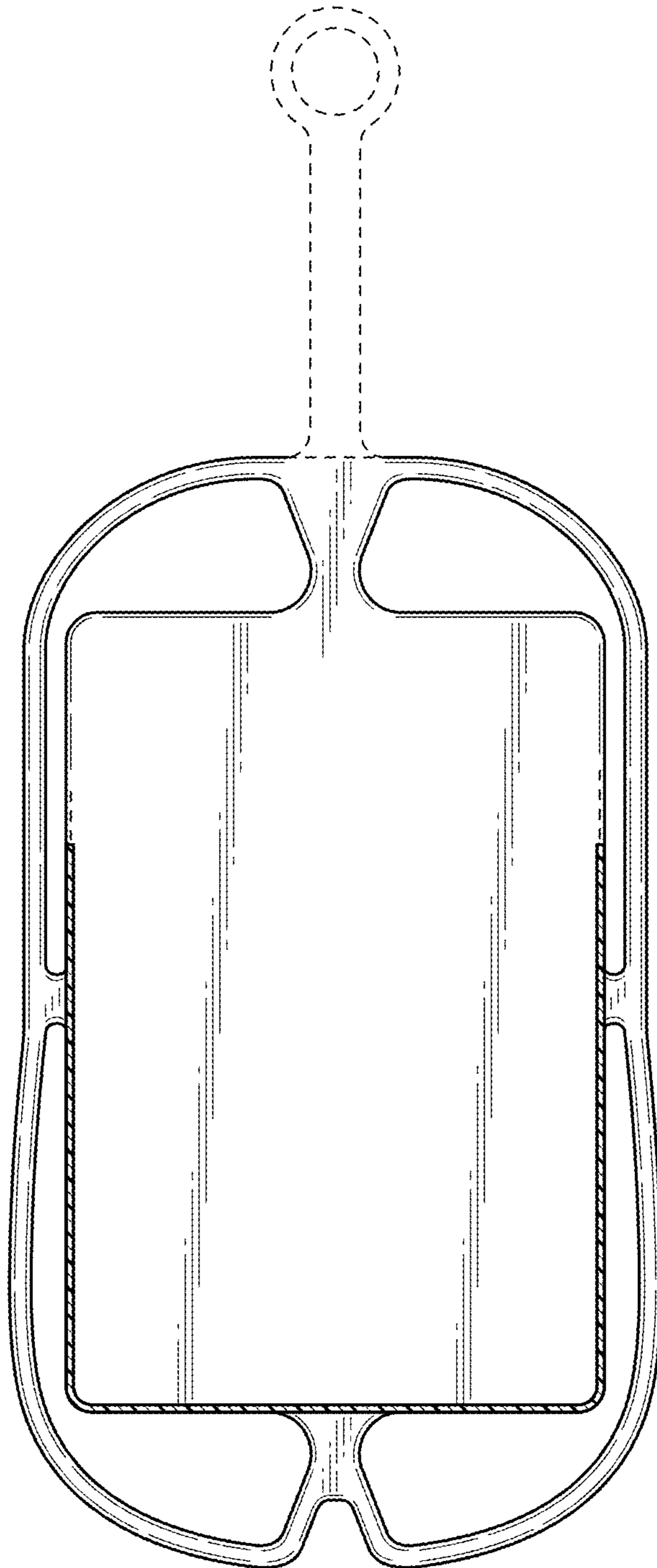


FIG. 5



**FIG. 6**





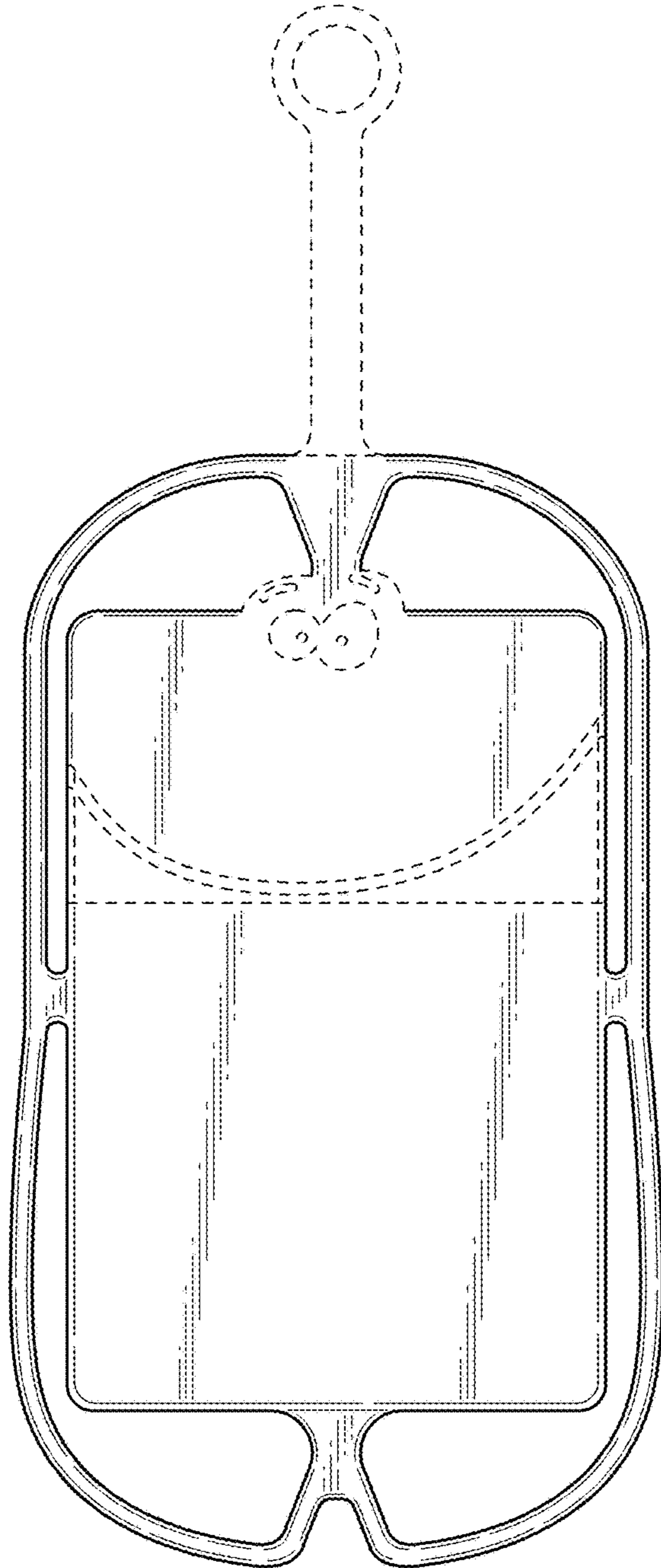
*FIG. 7*



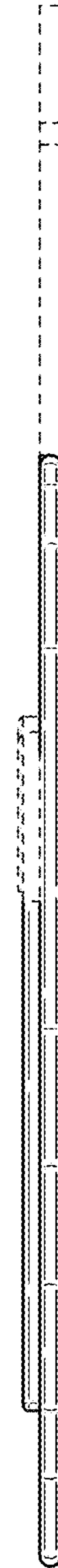
*FIG. 11*



*FIG. 9*



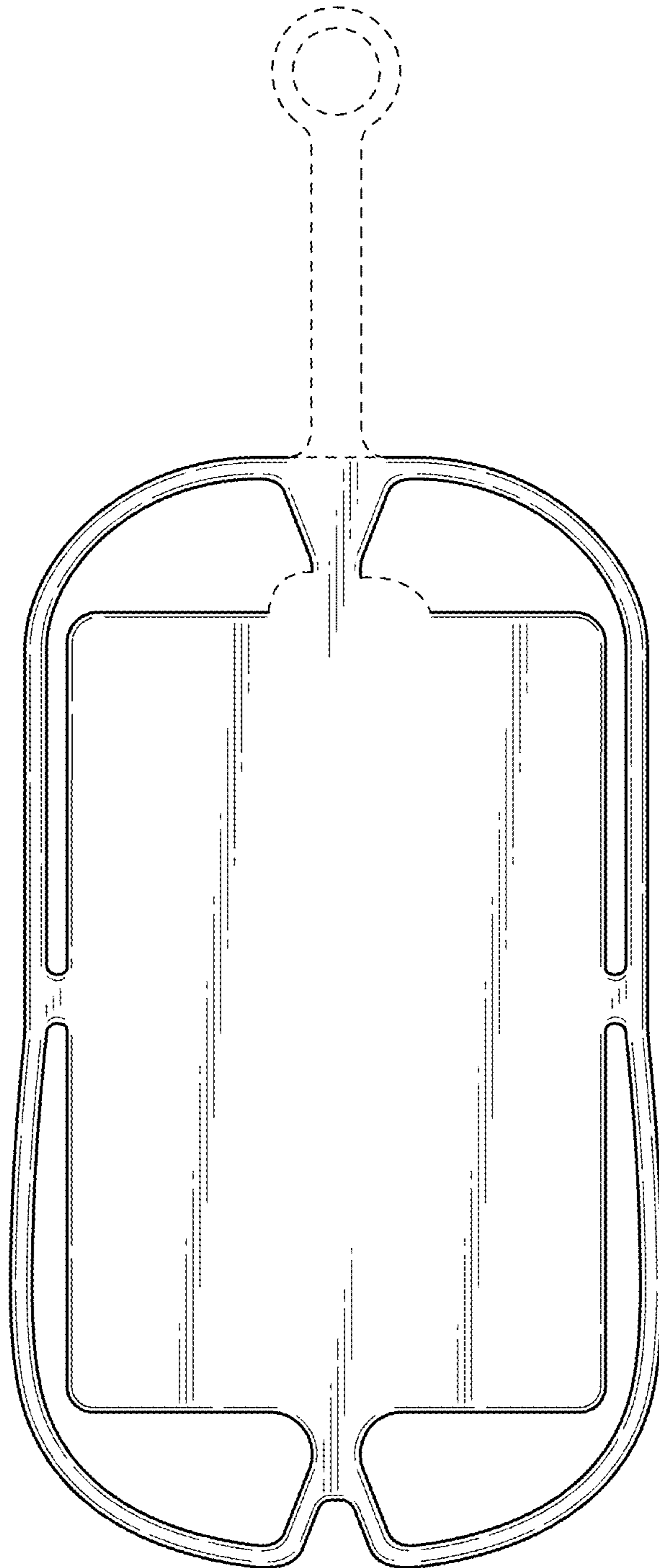
*FIG. 8*



*FIG. 10*



*FIG. 12*



*FIG. 13*