



US00D782183S

(12) **United States Design Patent**
de Vries

(10) **Patent No.:** **US D782,183 S**

(45) **Date of Patent:** **** Mar. 28, 2017**

(54) **RAZOR STAND**

(71) Applicant: **Oscar de Vries**, Surry Hills (AU)

(72) Inventor: **Oscar de Vries**, Surry Hills (AU)

(**) Term: **15 Years**

(21) Appl. No.: **29/546,623**

(22) Filed: **Nov. 24, 2015**

(30) **Foreign Application Priority Data**

May 25, 2015 (AU) 201512678

(51) **LOC (10) Cl.** **03-02**

(52) **U.S. Cl.**
USPC **D3/205**

(58) **Field of Classification Search**
USPC D3/205
CPC A45C 11/00; A45D 44/18
See application file for complete search history.

(56) **References Cited**

U.S. PATENT DOCUMENTS

D247,024 S *	1/1978	Hauf	D3/205
D249,332 S *	9/1978	Hauf	D28/82
D336,426 S *	6/1993	Fisher	D9/749
D533,466 S *	12/2006	Wonderley	D9/749
D534,815 S *	1/2007	White	D9/749
D596,953 S *	7/2009	Wonderley	D3/205
D602,245 S *	10/2009	Christie	D3/205

D622,160 S *	8/2010	Bridges	D9/749
D629,272 S *	12/2010	Gherman	D8/92
D655,206 S *	3/2012	Nottingham	D9/749
D744,744 S *	12/2015	Lee	D3/205
D745,775 S *	12/2015	Provost	D3/205
2016/0000203 A1*	1/2016	Williams	A45D 27/46 206/208

* cited by examiner

Primary Examiner — Charles Hanson

(74) *Attorney, Agent, or Firm* — Pearne & Gordon LLP

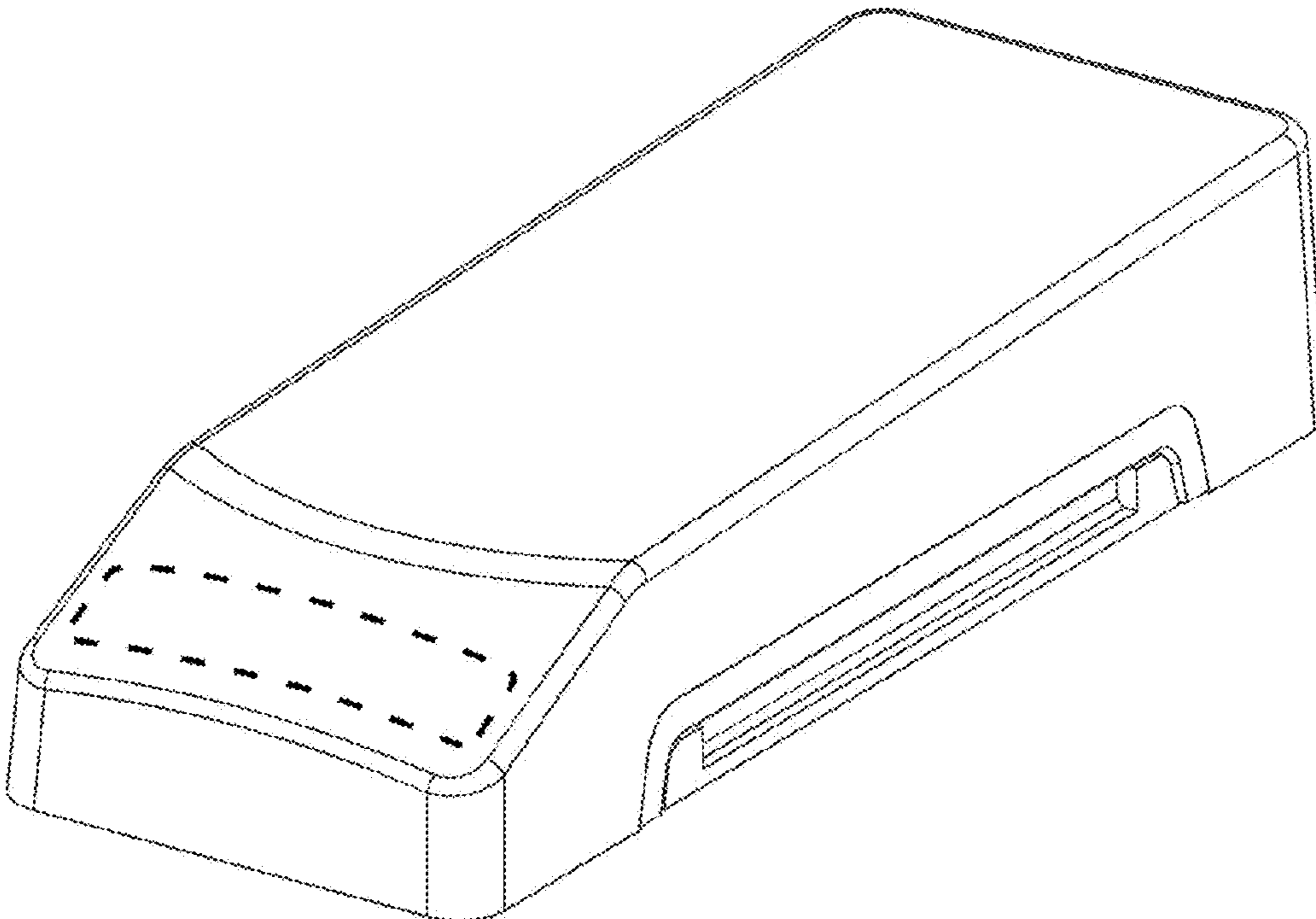
(57) **CLAIM**

The ornamental design for a razor stand, as shown and described.

DESCRIPTION

FIG. 1 is a front perspective view of the razor stand in an assembled state, comprising a cover assembled to a base; FIG. 2 is a right side view of the razor stand in an assembled state; FIG. 3 is a rear view of the razor stand in an assembled state; FIG. 4 is a bottom view of the razor stand in an assembled state; FIG. 5 is a bottom rear perspective view of the razor stand in an assembled state; FIG. 6 is a right side view of the base alone; FIG. 7 is a top view of the base alone; FIG. 8 is a front view of the base alone; FIG. 9 is a front perspective view of the base alone; and, FIG. 10 is an exploded front perspective view of the razor stand, in which the cover is separated from the base. The broken lines shown in the drawings illustrate portions of the razor stand that form no part of the claimed design.

1 Claim, 10 Drawing Sheets



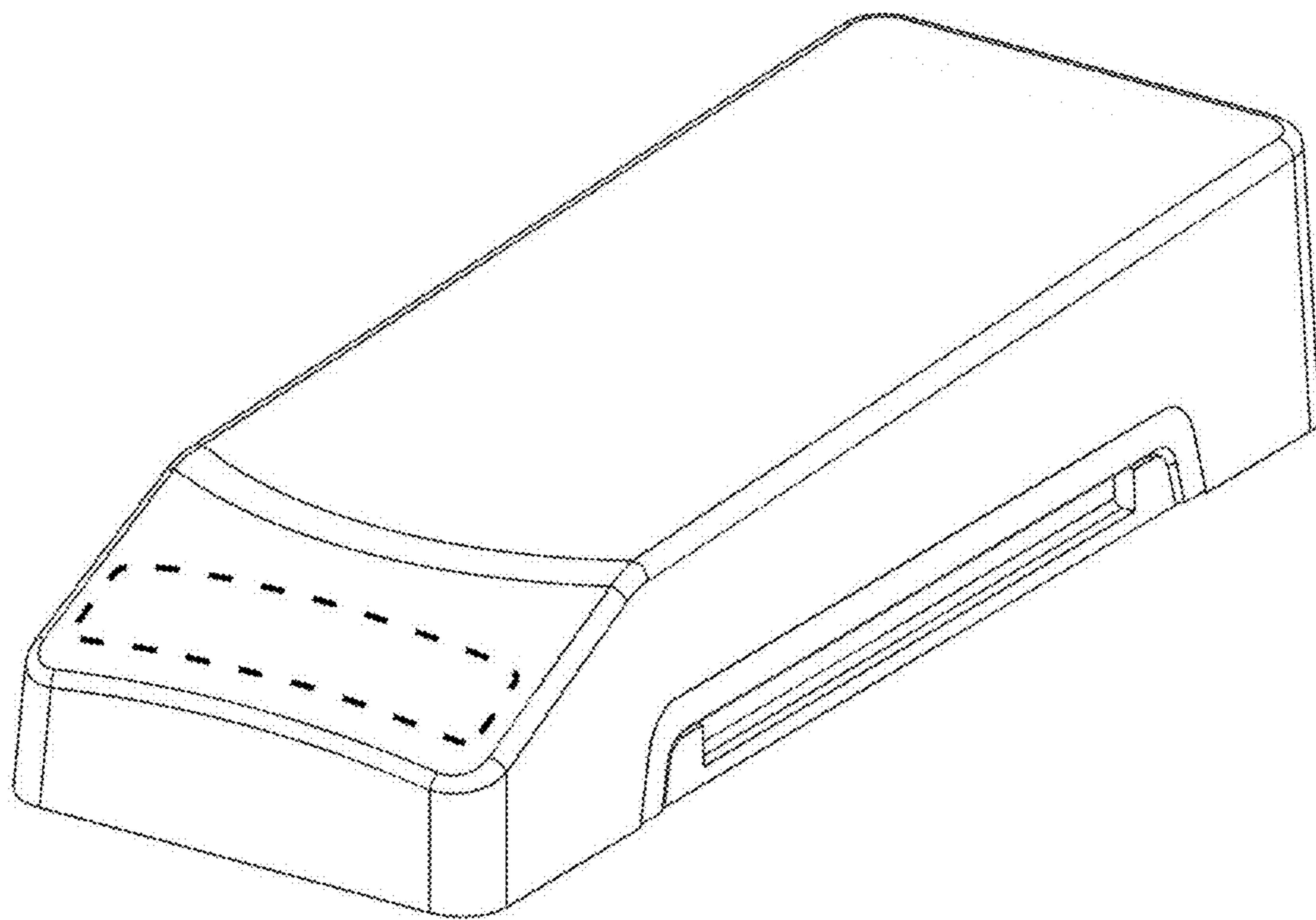


Fig. 1

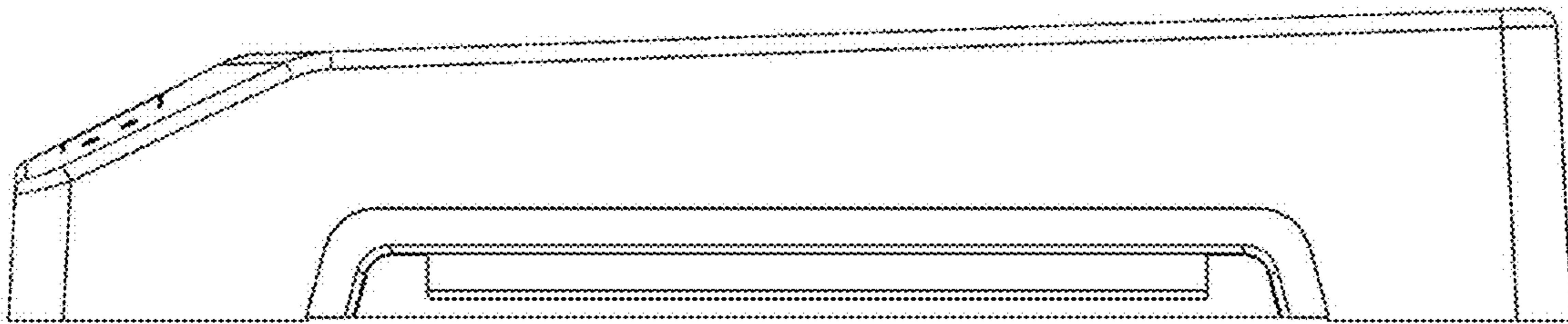


Fig. 2

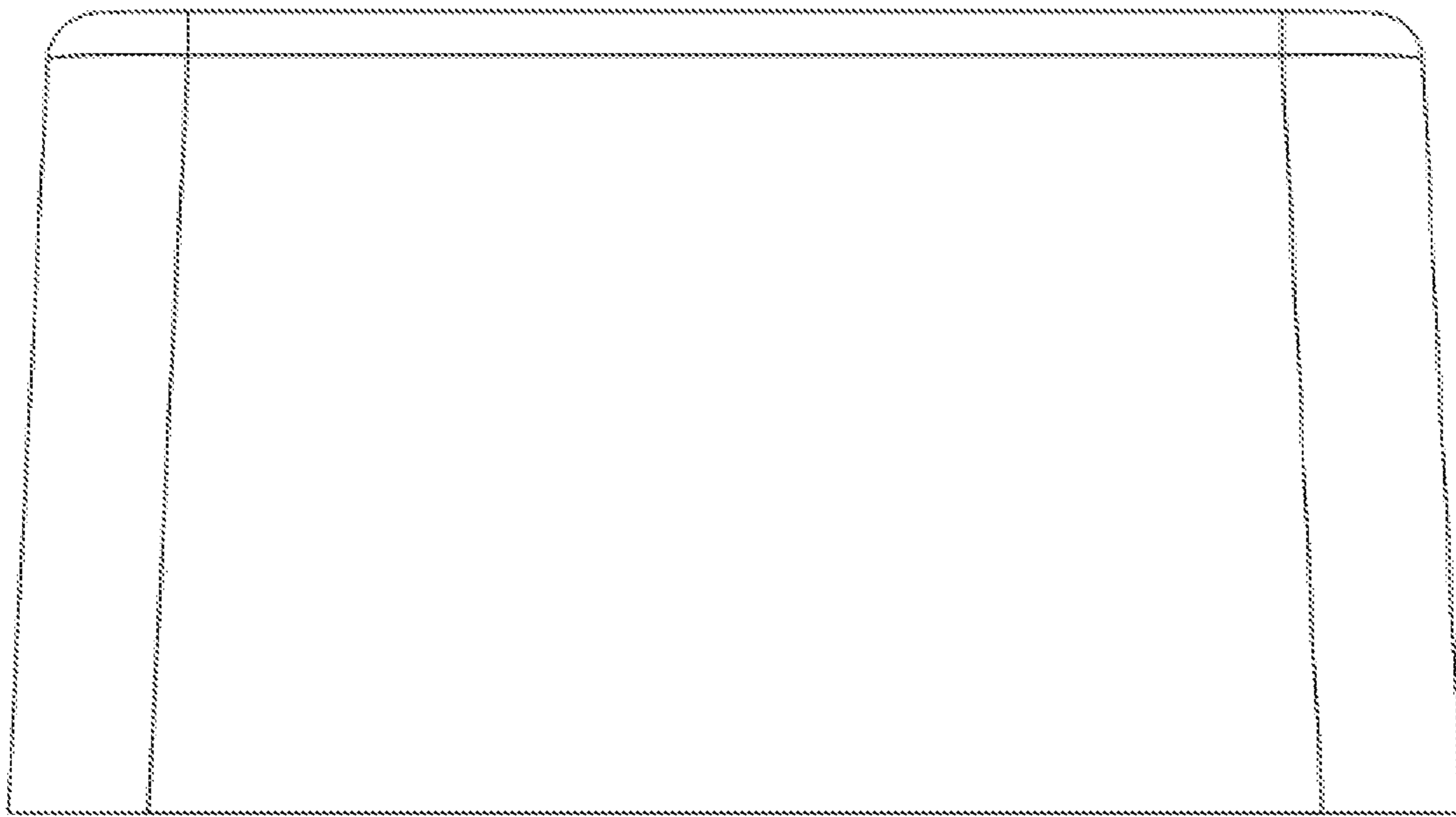


Fig. 3

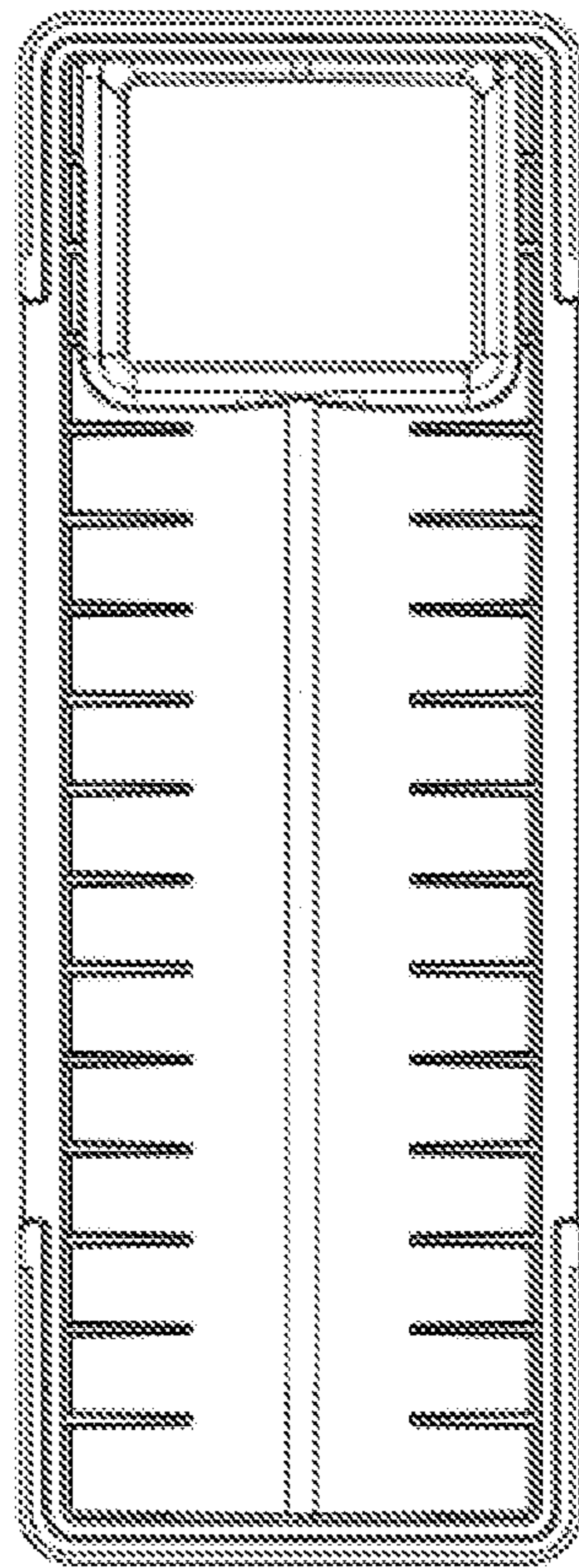


Fig. 4

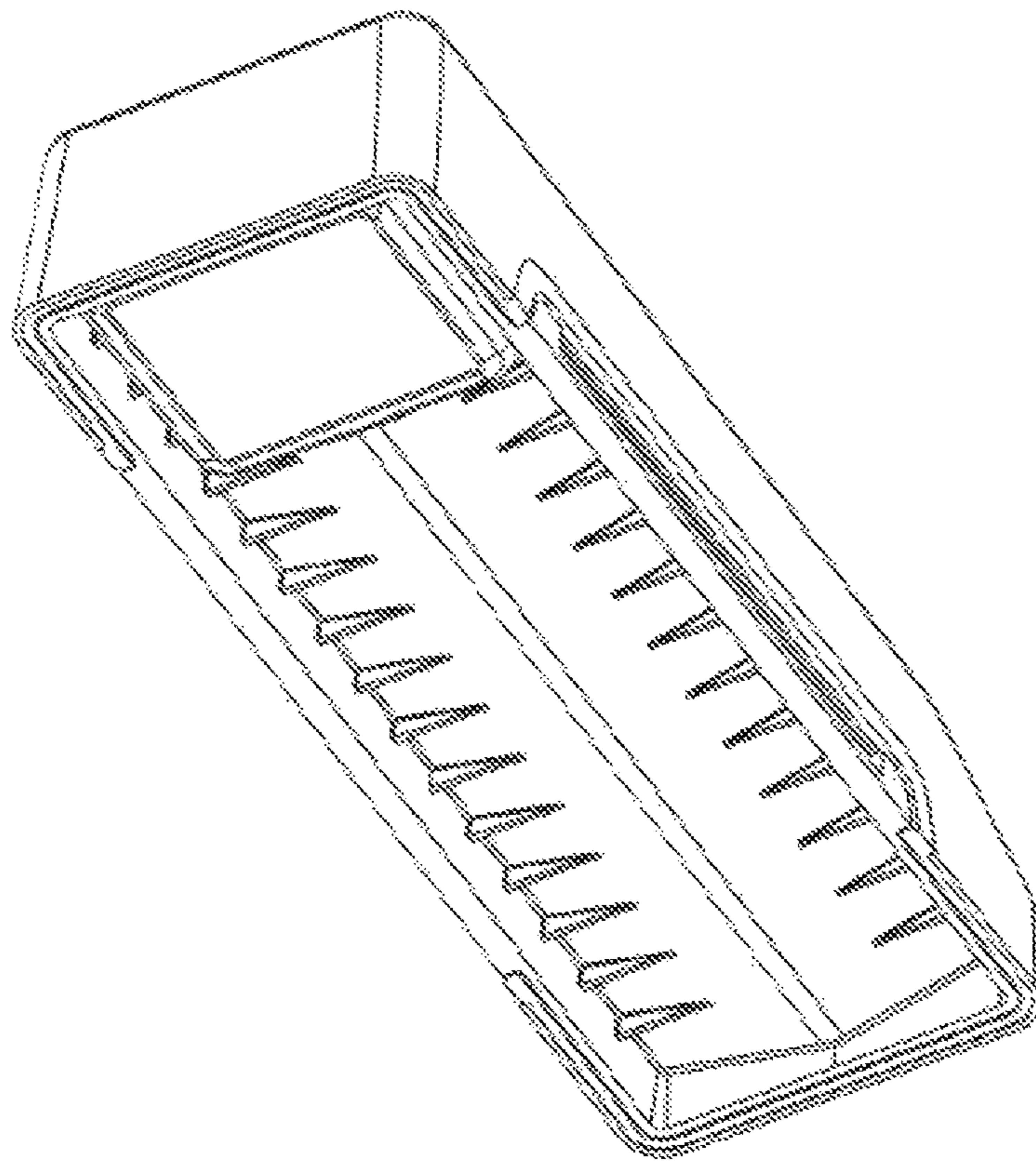


Fig. 5

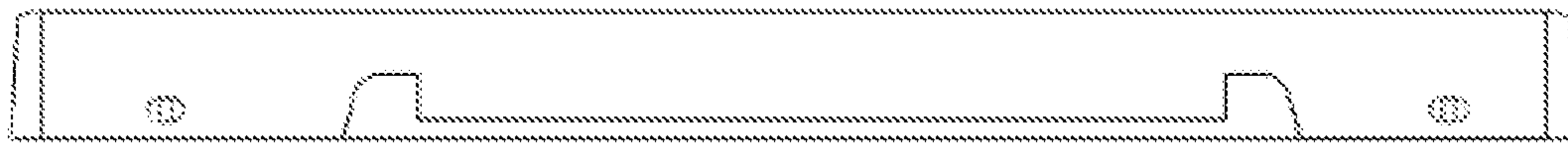


Fig. 6

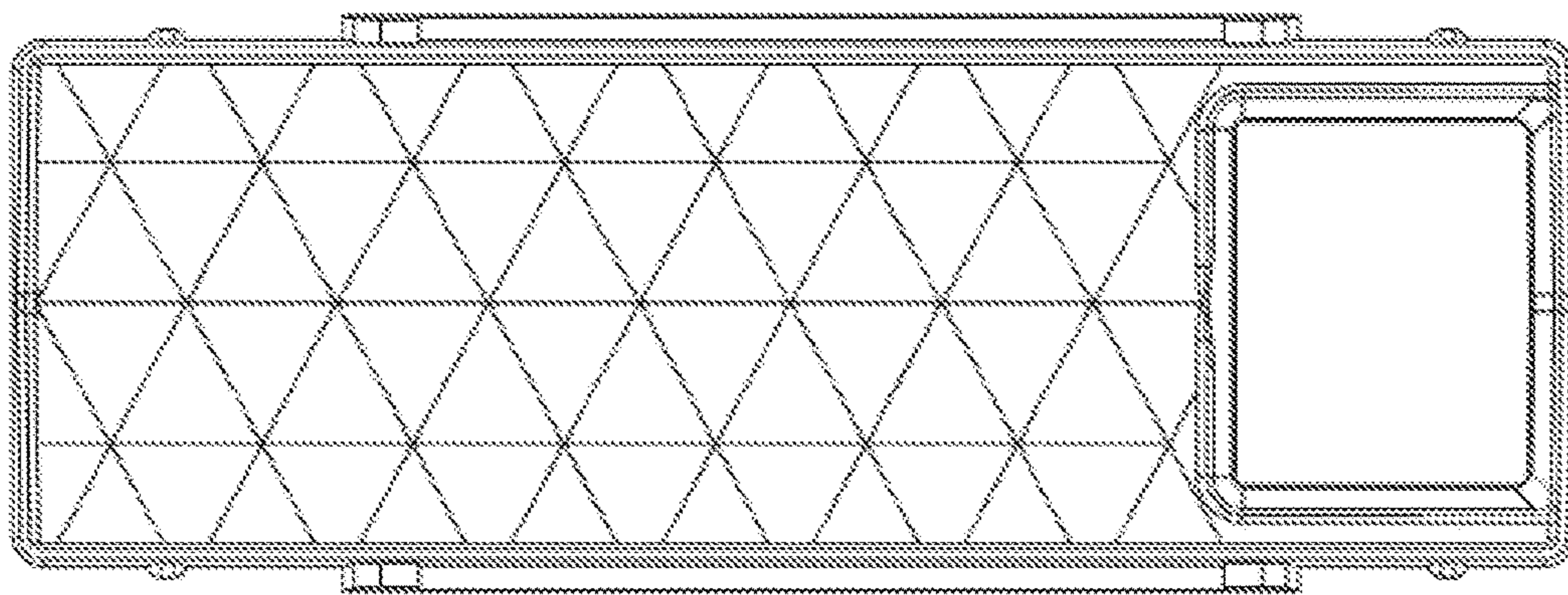


Fig. 7

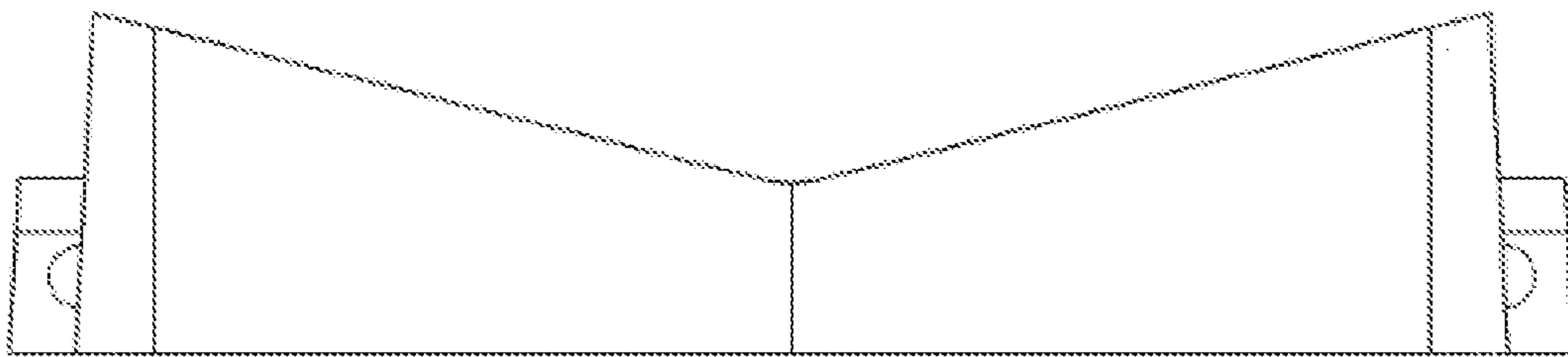


Fig. 8

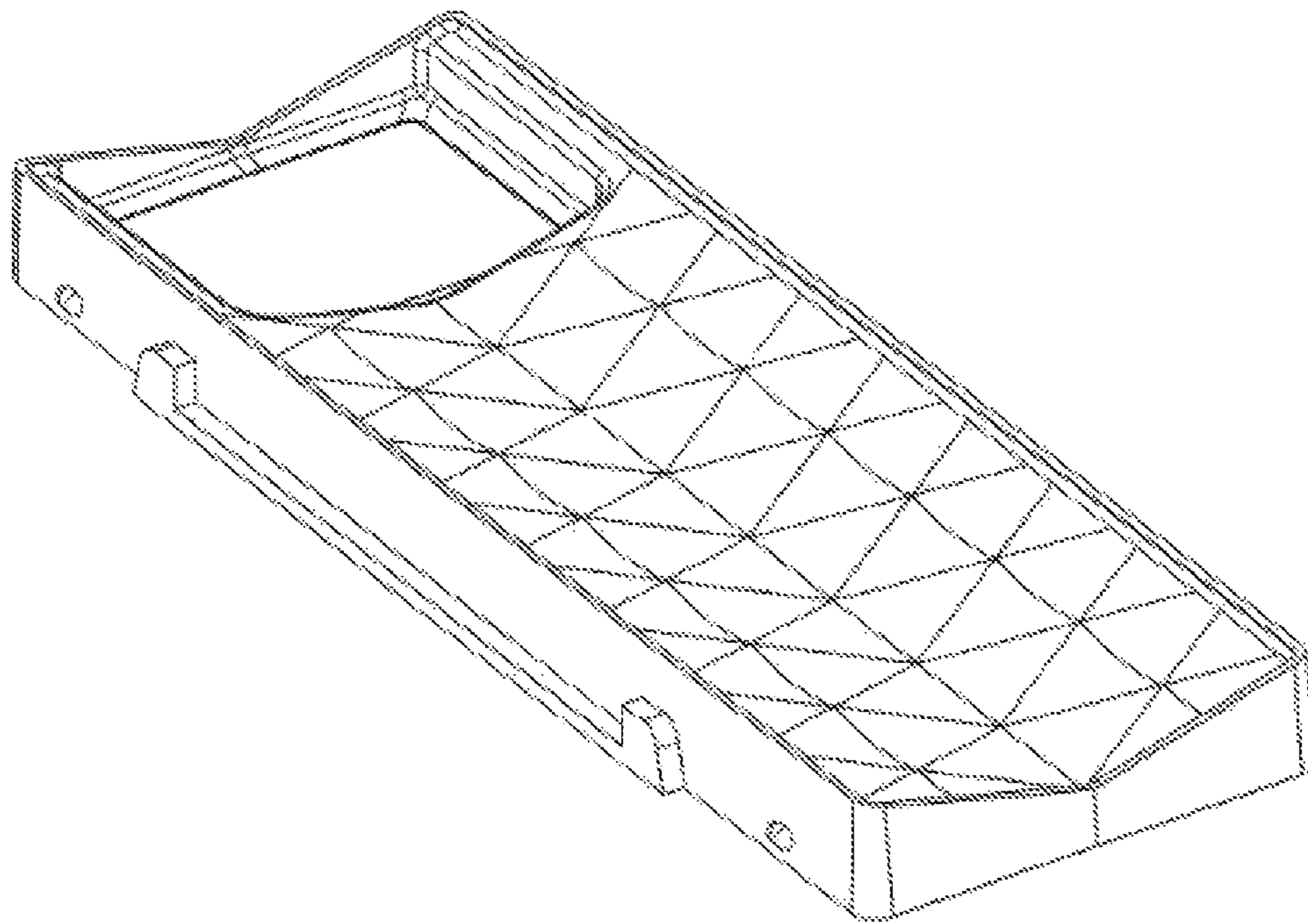


Fig. 9

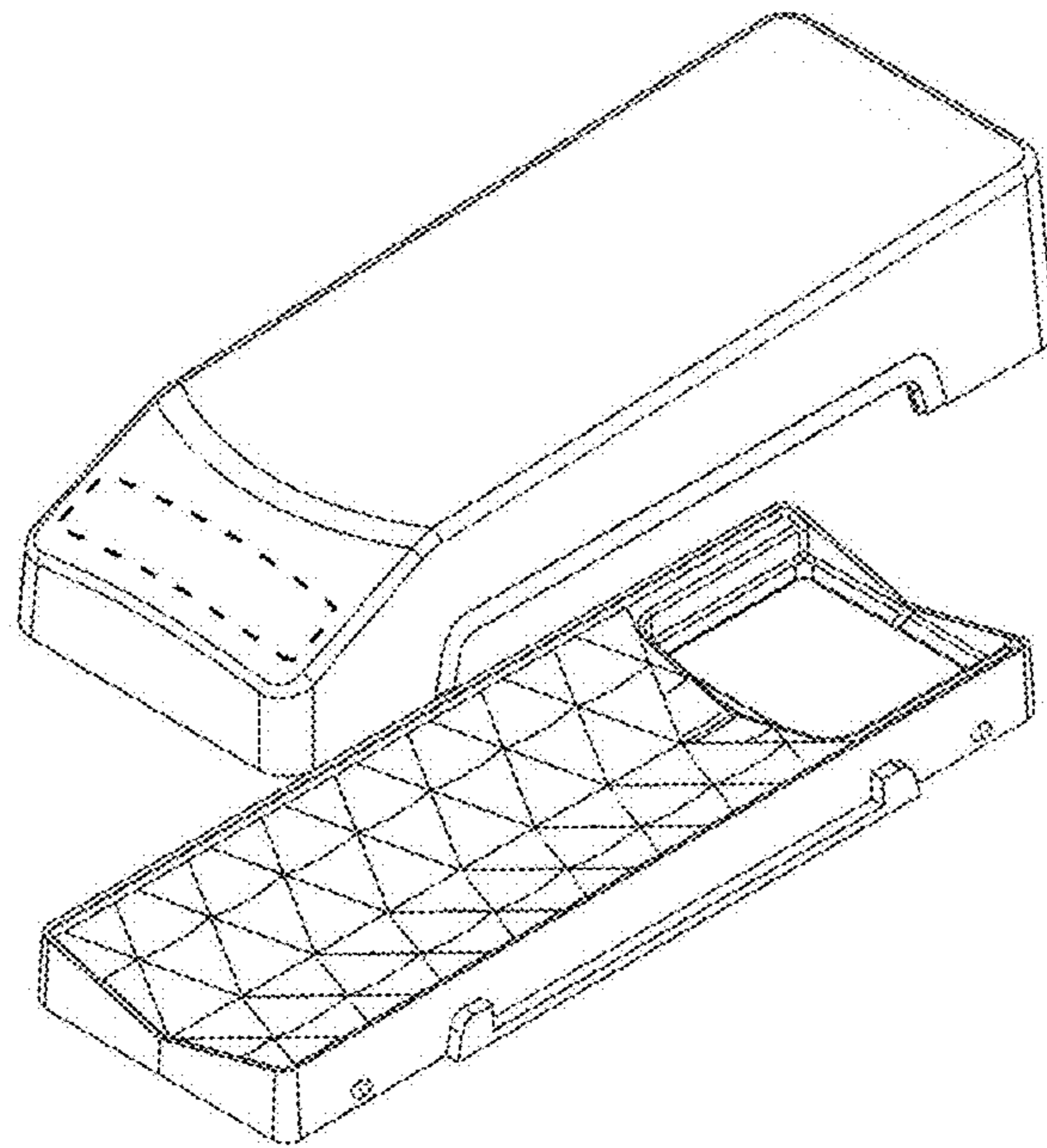


Fig. 10