



US00D782180S

(12) **United States Design Patent**
Eberhard

(10) **Patent No.:** **US D782,180 S**

(45) **Date of Patent:** **** Mar. 28, 2017**

(54) **SPOOL**

(71) Applicant: **PAPIER-METTLER INHABER**
MICHAEL METTLER E.K., Morbach
(DE)

(72) Inventor: **Patrick Eberhard**, Morbach (DE)

(73) Assignee: **PAPIER-METTLER INHABER**
MICHAEL METTLER E.K., Morbach
(DE)

(**) Term: **14 Years**

(21) Appl. No.: **29/513,027**

(22) Filed: **Dec. 24, 2014**

(51) **LOC (10) Cl.** **03-01**

(52) **U.S. Cl.**
USPC **D3/18**

(58) **Field of Classification Search**
USPC D3/18, 20, 23, 24; D22/137; D8/358;
D6/515; D14/484; D15/78
CPC A01K 97/06; D05B 3/24; D05B 59/00;
D05B 65/06; D05B 47/00; D05B 29/00;
D05B 37/04; B65H 2701/31
See application file for complete search history.

(56) **References Cited**

U.S. PATENT DOCUMENTS

D244,808 S * 6/1977 Ubermuth 242/118.4
D244,943 S * 7/1977 Balmer, Jr. D14/484
D250,338 S * 11/1978 LaPierre D15/78
D358,931 S * 6/1995 Vanhuyse D3/24

D461,115 S * 8/2002 Vassioukevitch D8/360.1
D468,190 S * 1/2003 Kennedy D15/72
D489,399 S * 5/2004 Kusakari D18/34.9
D503,609 S * 4/2005 Robbins, III D14/484
D504,307 S * 4/2005 Dayan D3/24
D504,806 S * 5/2005 Basaran D14/484
D545,561 S * 7/2007 Vandecasteele D3/24
D614,897 S * 5/2010 Morand D6/515
D623,927 S * 9/2010 Gu D8/358
D625,172 S * 10/2010 Pauwels D8/358
D654,981 S * 2/2012 Hafner D22/137
D655,369 S * 3/2012 Hafner D22/137
D664,386 S * 7/2012 Ohnishi D6/515
D699,965 S * 2/2014 Costello D6/515
D705,643 S * 5/2014 Siboni D8/358

* cited by examiner

Primary Examiner — John Windmuller

Assistant Examiner — Steven Czyz

(74) *Attorney, Agent, or Firm* — Grossman, Tucker,
Perreault & Pflieger, PLLC

(57) **CLAIM**

The ornamental design for a spool, as shown and described.

DESCRIPTION

FIG. 1 is a perspective view of a spool of the present invention;

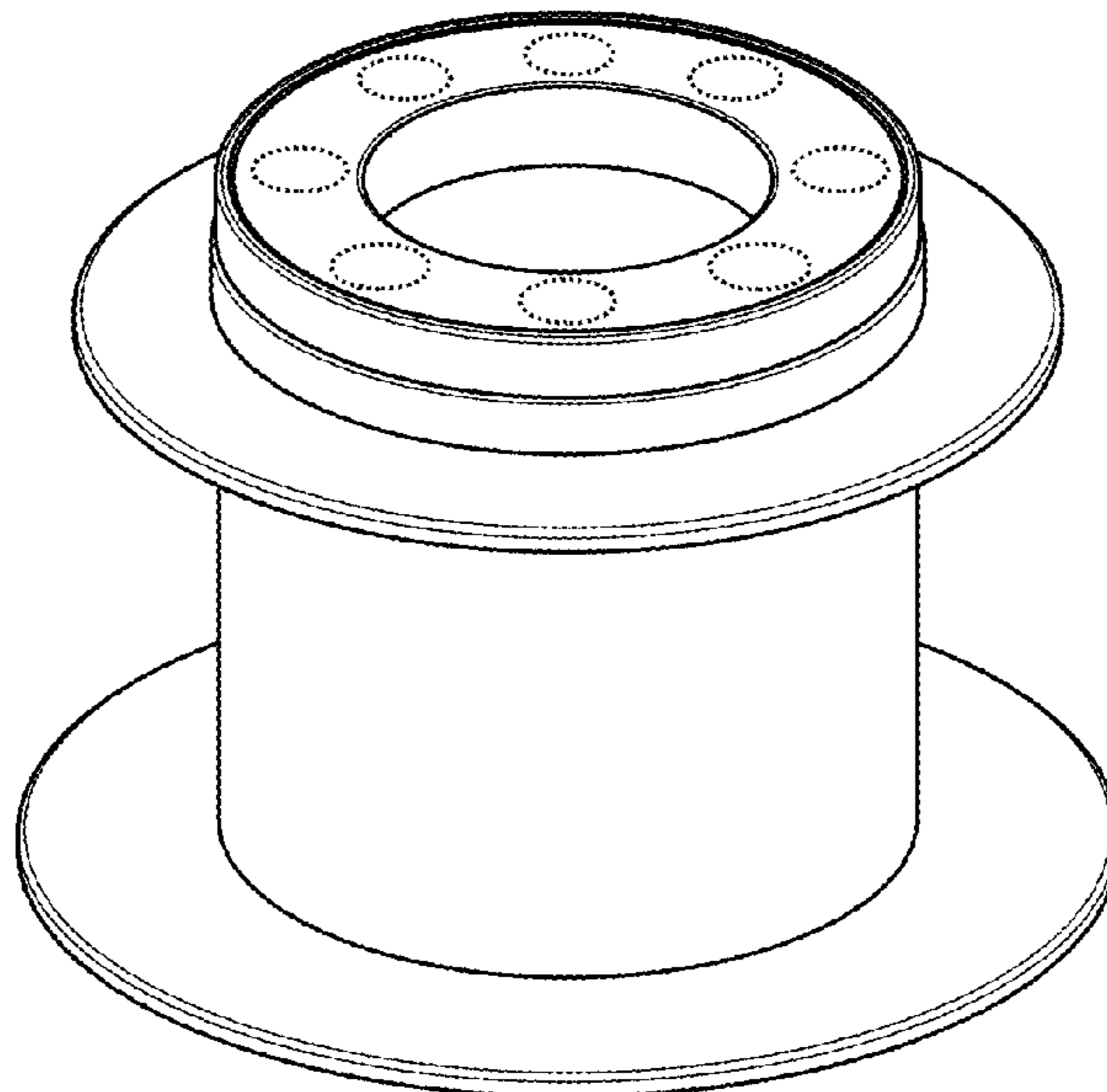
FIG. 2 is a top view of the spool of FIG. 1;

FIG. 3 is a front side view of the spool of FIG. 1, the left, right and rear side views being identical; and,

FIG. 4 is a bottom view of the spool of FIG. 1.

The broken lines in the drawings illustrate portions of the spool which form no part of the claimed design.

1 Claim, 4 Drawing Sheets



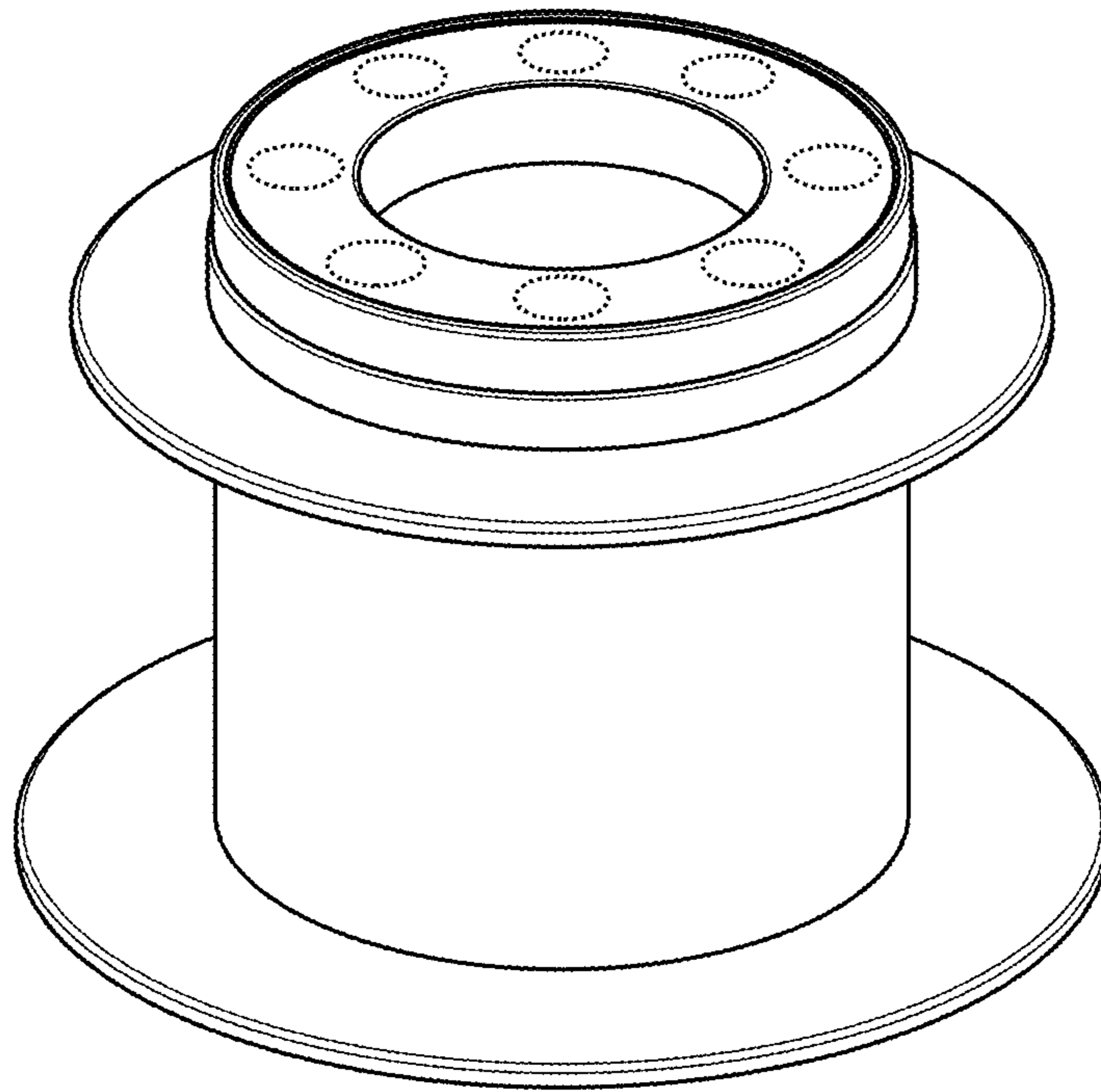


FIG. 1

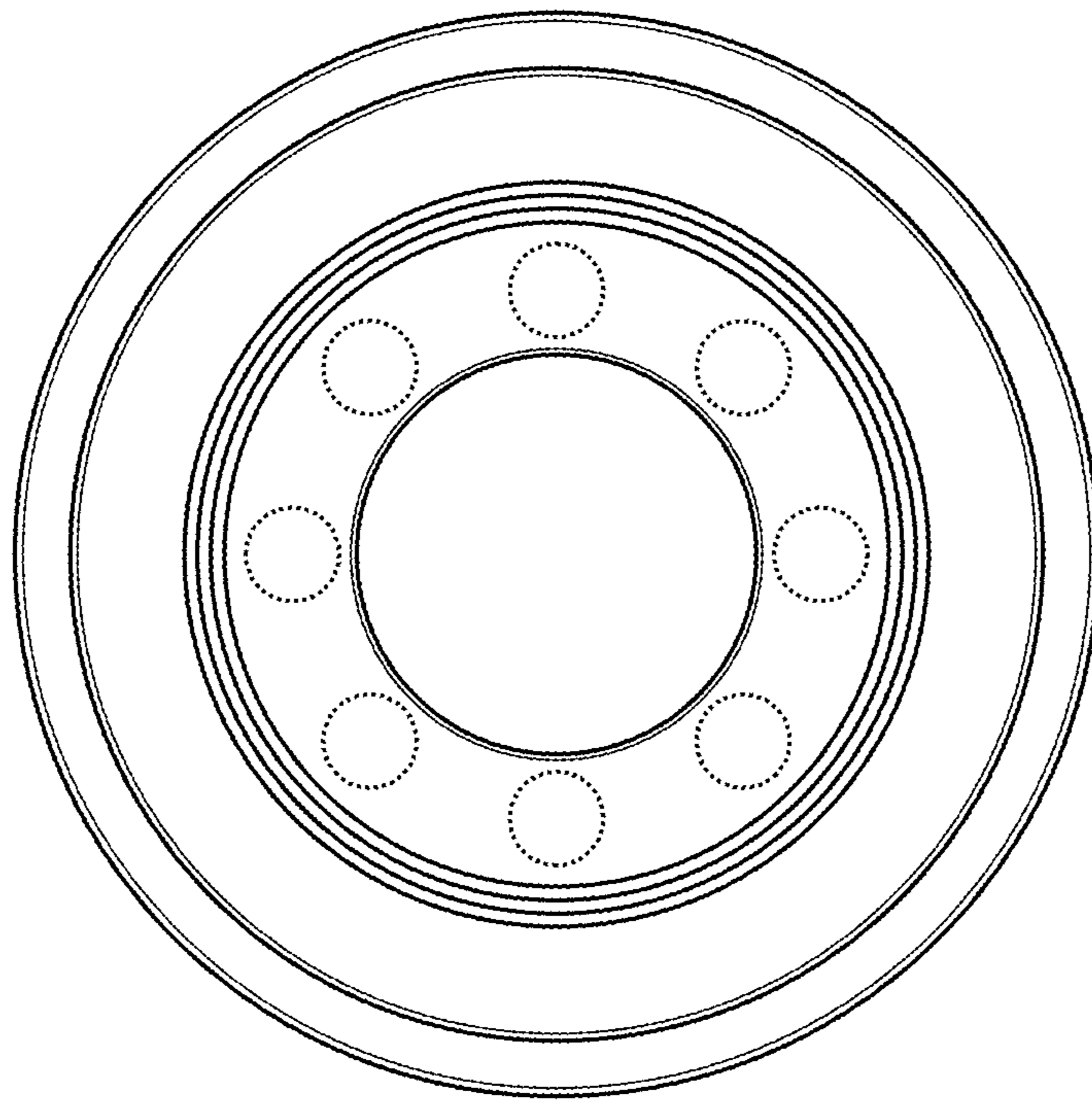


Fig. 2

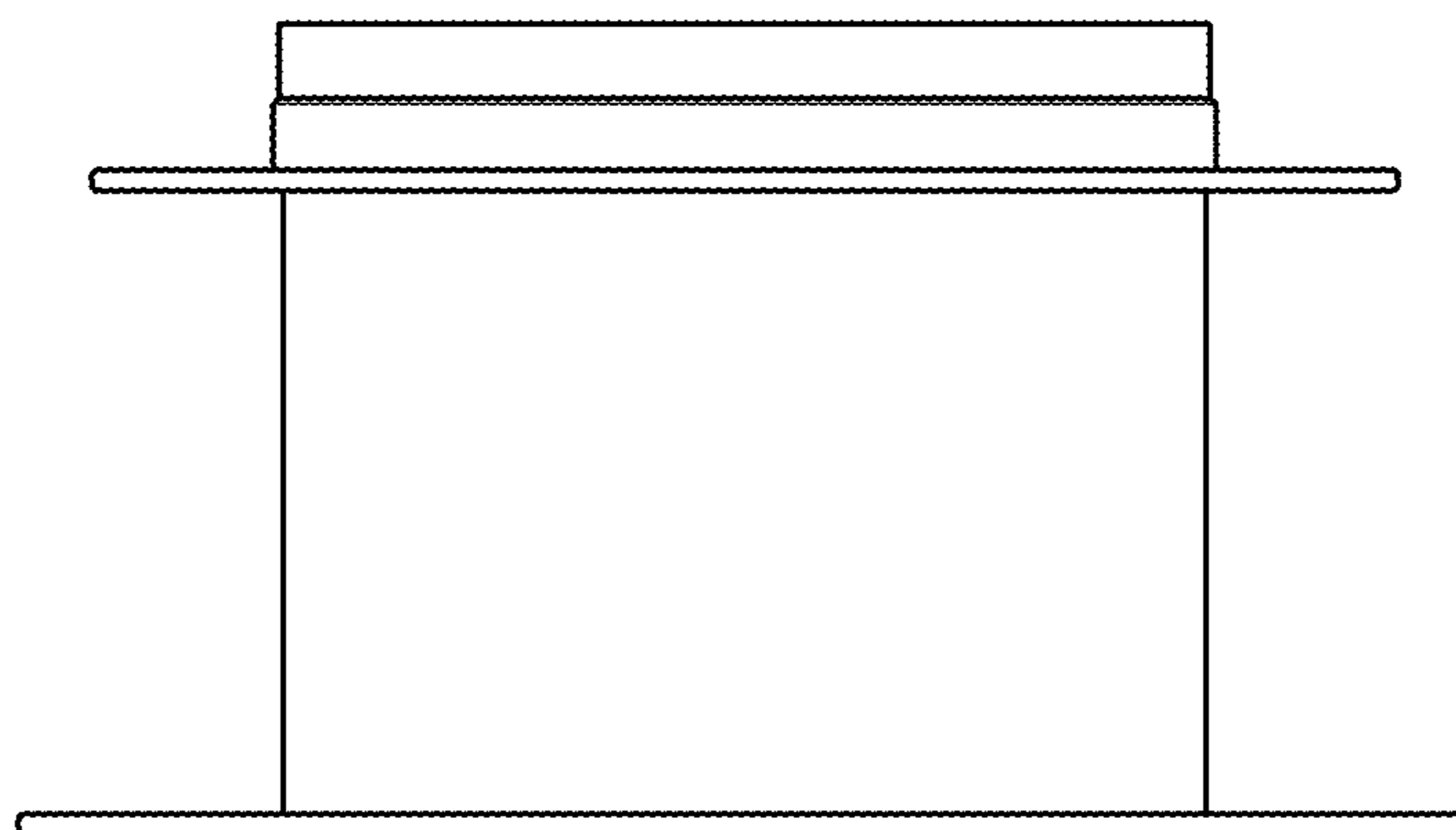


FIG. 3

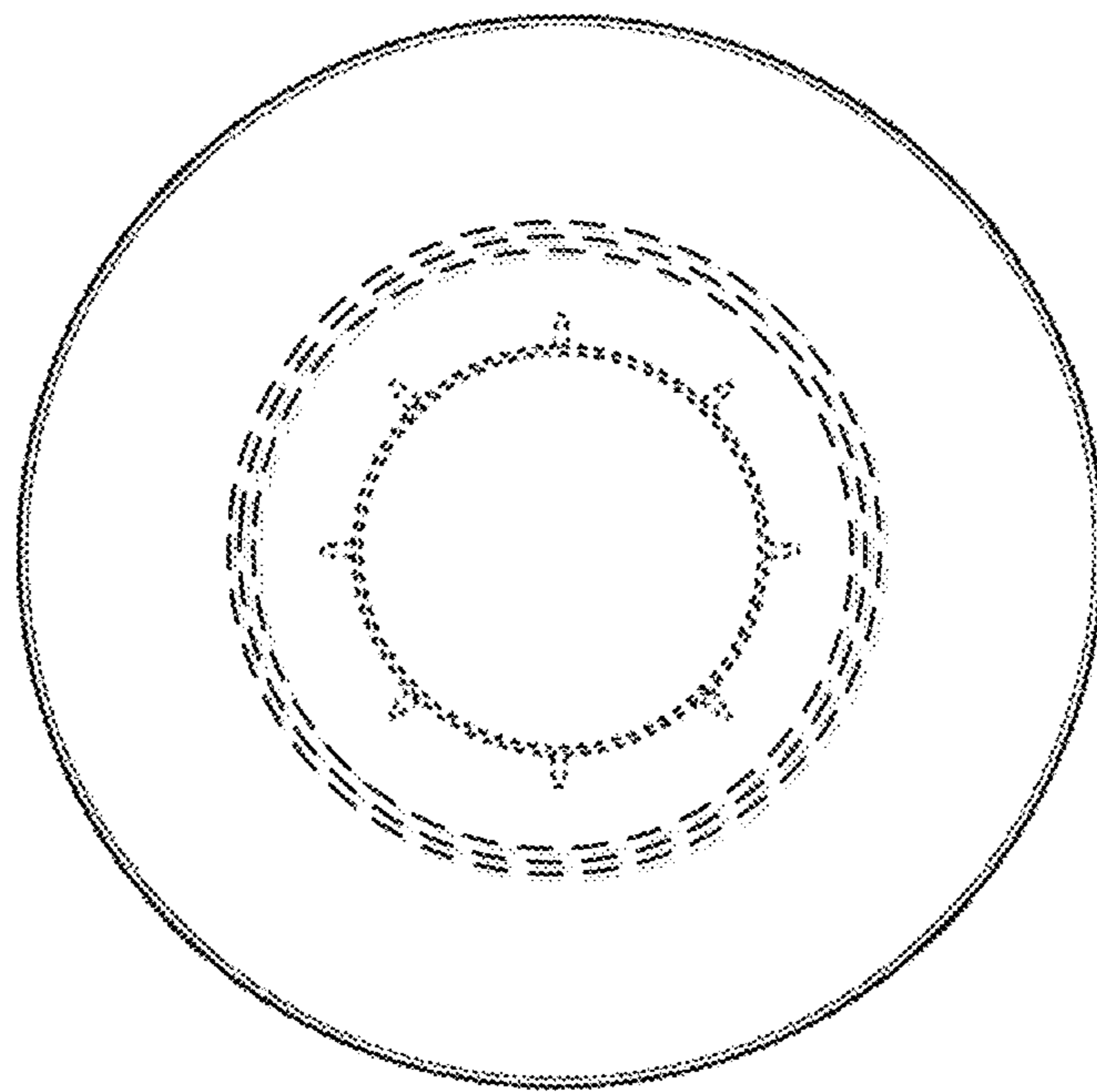


Fig. 4