



US00D782159S

(12) **United States Design Patent**  
**Pollitt**

(10) **Patent No.:** **US D782,159 S**  
(45) **Date of Patent:** **\*\* Mar. 28, 2017**

(54) **JEANS**

(71) Applicant: **Mylo S. Lord, LLC**, Indian Hills, CO  
(US)

(72) Inventor: **Stephen J. Pollitt**, Indian Hills, CO  
(US)

(73) Assignee: **Mylo S. Lord, LLC**, Indian Hills, CO  
(US)

(\*\*) Term: **14 Years**

(21) Appl. No.: **29/499,593**

(22) Filed: **Aug. 15, 2014**

(51) **LOC (10) Cl.** ..... **02-02**

(52) **U.S. Cl.**  
USPC ..... **D2/742**

(58) **Field of Classification Search**  
USPC ..... D2/742, 712, 857, 731, 738, 739, 851,  
D2/853, 743, 745, 700, 748, 747, 871;  
(Continued)

(56) **References Cited**

U.S. PATENT DOCUMENTS

D619,332 S \* 7/2010 Pouches ..... D2/742  
D658,355 S \* 5/2012 Guerrero ..... D2/742  
(Continued)

*Primary Examiner* — Abraham Bahta

(74) *Attorney, Agent, or Firm* — Santangelo Law Offices,  
P.C.

(57) **CLAIM**

The ornamental design for jeans, as shown and described.

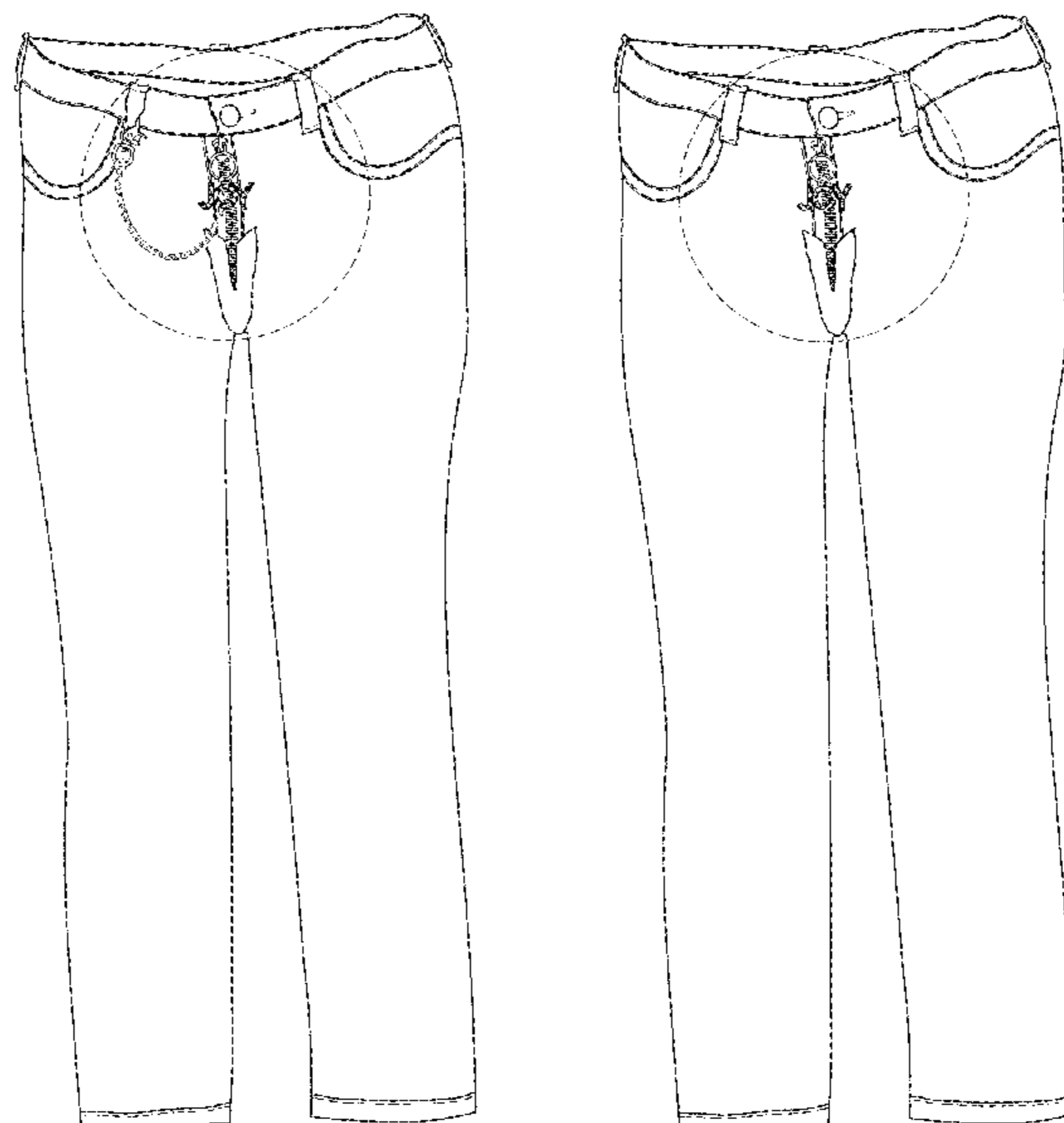
**DESCRIPTION**

FIG. 1 is a front view of the first embodiment of the jeans showing my new design;

FIG. 2 is a partial enlarged view taken from the broken encircled portion of FIG. 1;  
FIG. 3 is a right side view thereof;  
FIG. 4 is a left side view thereof;  
FIG. 5 is a top view thereof;  
FIG. 6 is a bottom view thereof;  
FIG. 7 is a back view thereof;  
FIG. 8 is a front view of a second embodiment of the jeans;  
FIG. 9 is a partial enlarged view taken from the broken encircled portion of FIG. 8;  
FIG. 10 is a right side view thereof;  
FIG. 11 is a left side view thereof;  
FIG. 12 is a top view thereof;  
FIG. 13 is a bottom view thereof;  
FIG. 14 is a back view thereof;  
FIG. 15 is a front view of the third embodiment of the jeans;  
FIG. 16 is a partial enlarged view taken from the broken encircled portion of FIG. 15;  
FIG. 17 is a right side view thereof;  
FIG. 18 is a left side view thereof;  
FIG. 19 is a top view thereof;  
FIG. 20 is a right side view thereof;  
FIG. 21 is a back view thereof;  
FIG. 22 is a front view of the fourth embodiment of the jeans;  
FIG. 23 is a partial enlarged view taken from the broken encircled portion of FIG. 22;  
FIG. 24 is a right side view thereof;  
FIG. 25 is a left side view thereof;  
FIG. 26 is a top view thereof;  
FIG. 27 is a bottom view thereof; and,  
FIG. 28 is a back view thereof.

The broken line showing of portions of the jeans is included for the purpose of illustrating environmental structure and forms no part of the claimed design.

**1 Claim, 20 Drawing Sheets**



(58) **Field of Classification Search**

USPC ..... 2/93, 70, 227, 108, 234–237, 220, 219,  
2/228, 238, 106

CPC . A41D 1/06; A41D 1/08; A41D 1/067; A41D  
15/002; A41D 15/005; A41D 13/065;  
A41D 13/02; A41D 1/00

See application file for complete search history.

(56) **References Cited**

U.S. PATENT DOCUMENTS

D679,890 S *	4/2013	Persaud .....	D2/742
D686,390 S *	7/2013	Downs .....	D2/742
D763,549 S *	8/2016	Davis .....	D2/742
D764,144 S *	8/2016	Cristoforo .....	D2/742
D768,359 S *	10/2016	Lago .....	D2/742
D770,728 S *	11/2016	Jaklinski .....	D2/742

\* cited by examiner

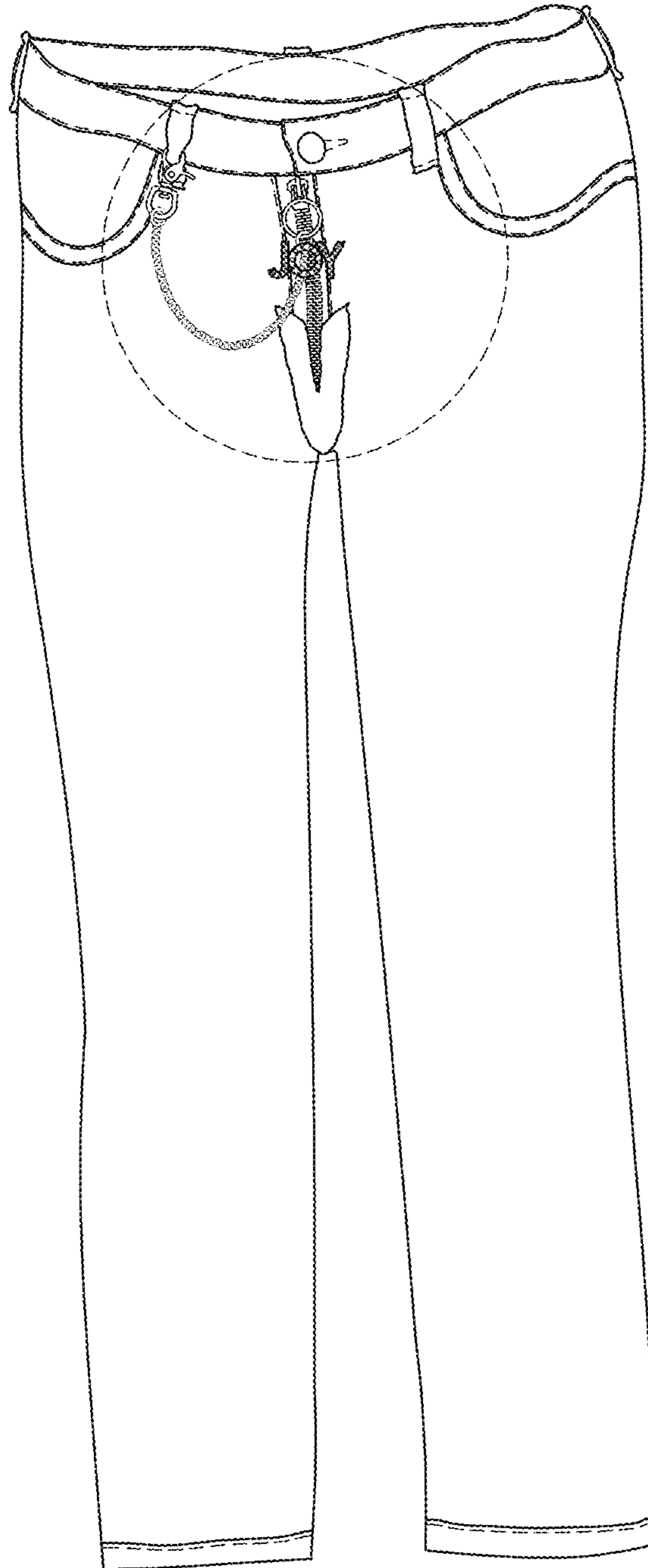


Fig. 1

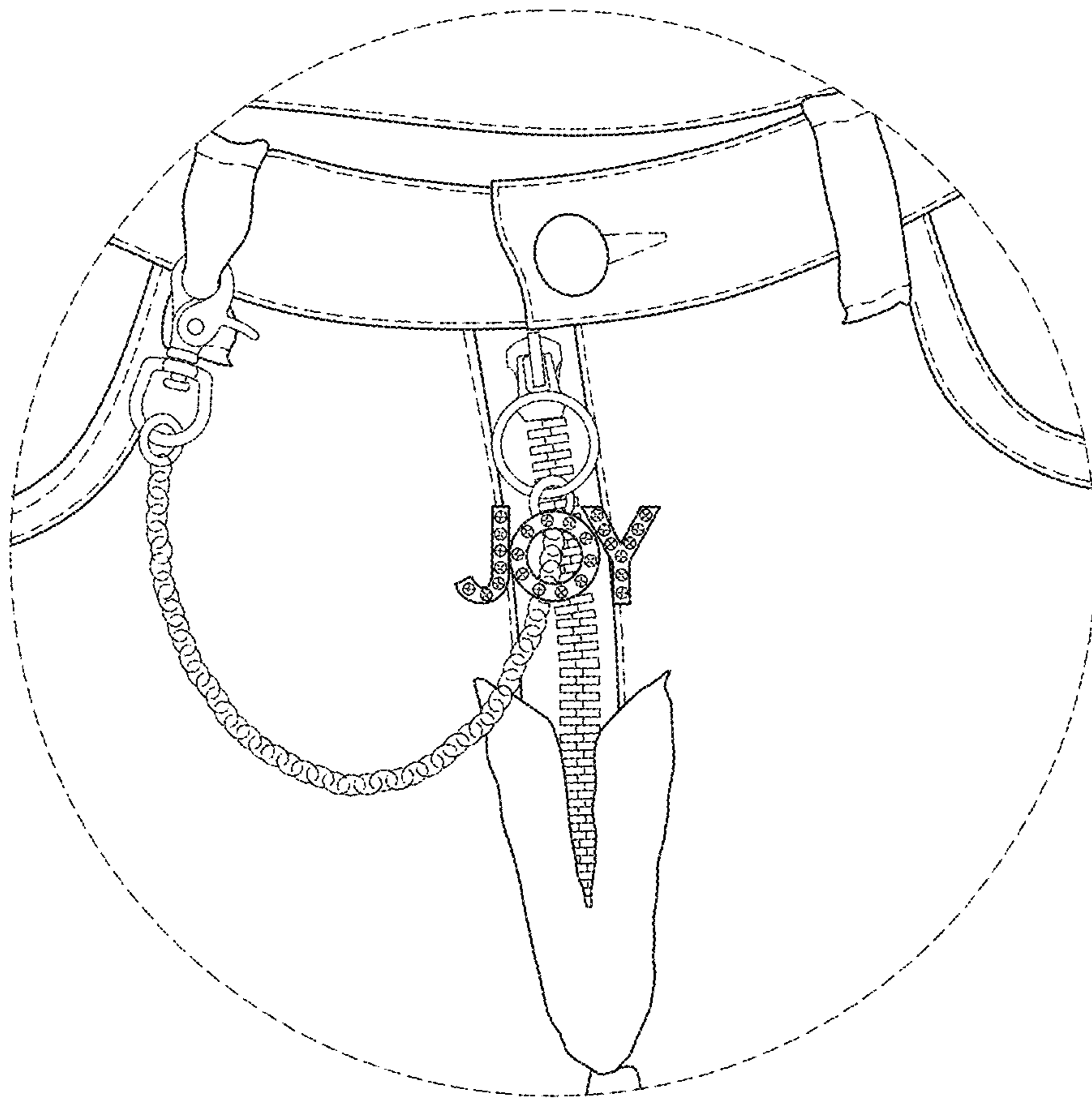


Fig. 2

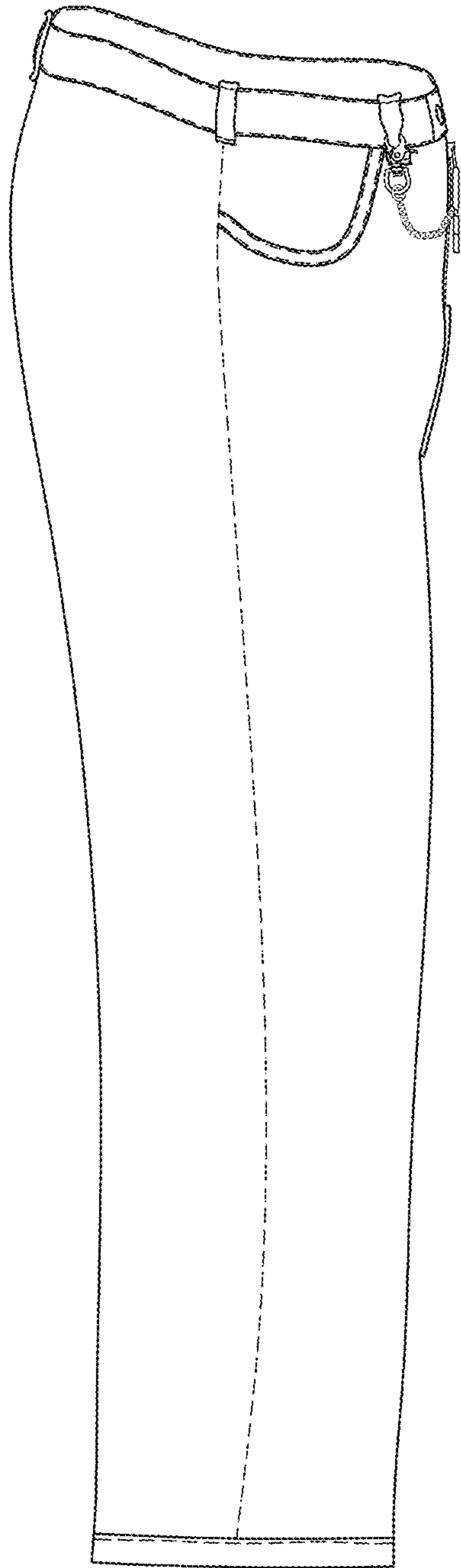


Fig. 3

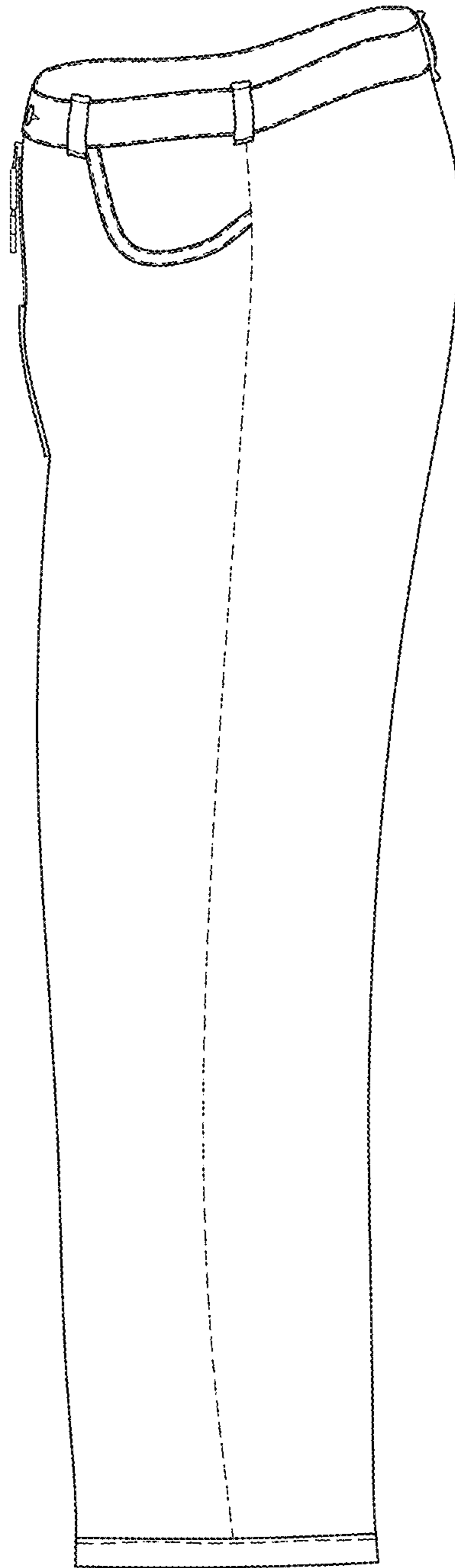


Fig. 4

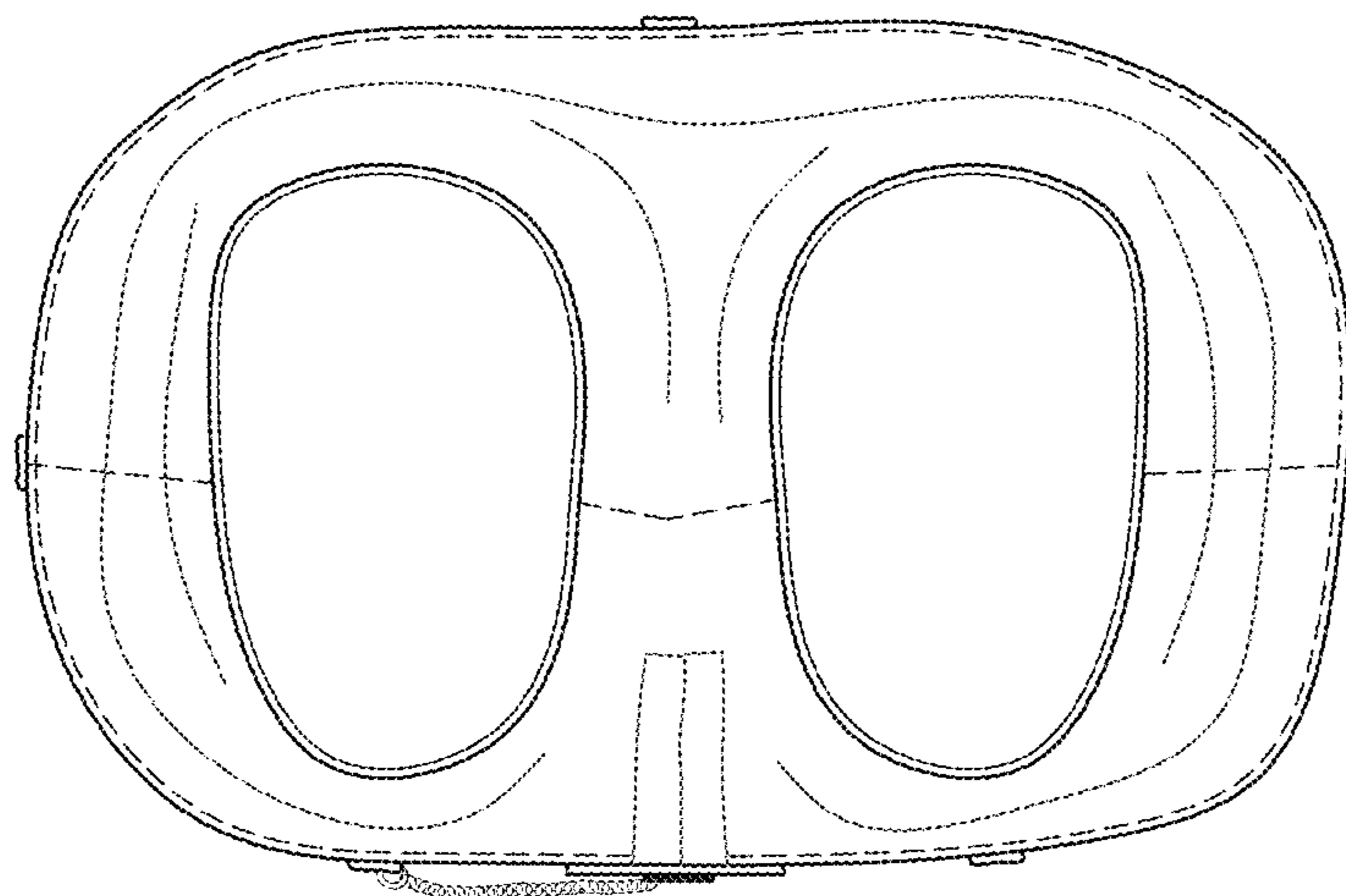


Fig. 5

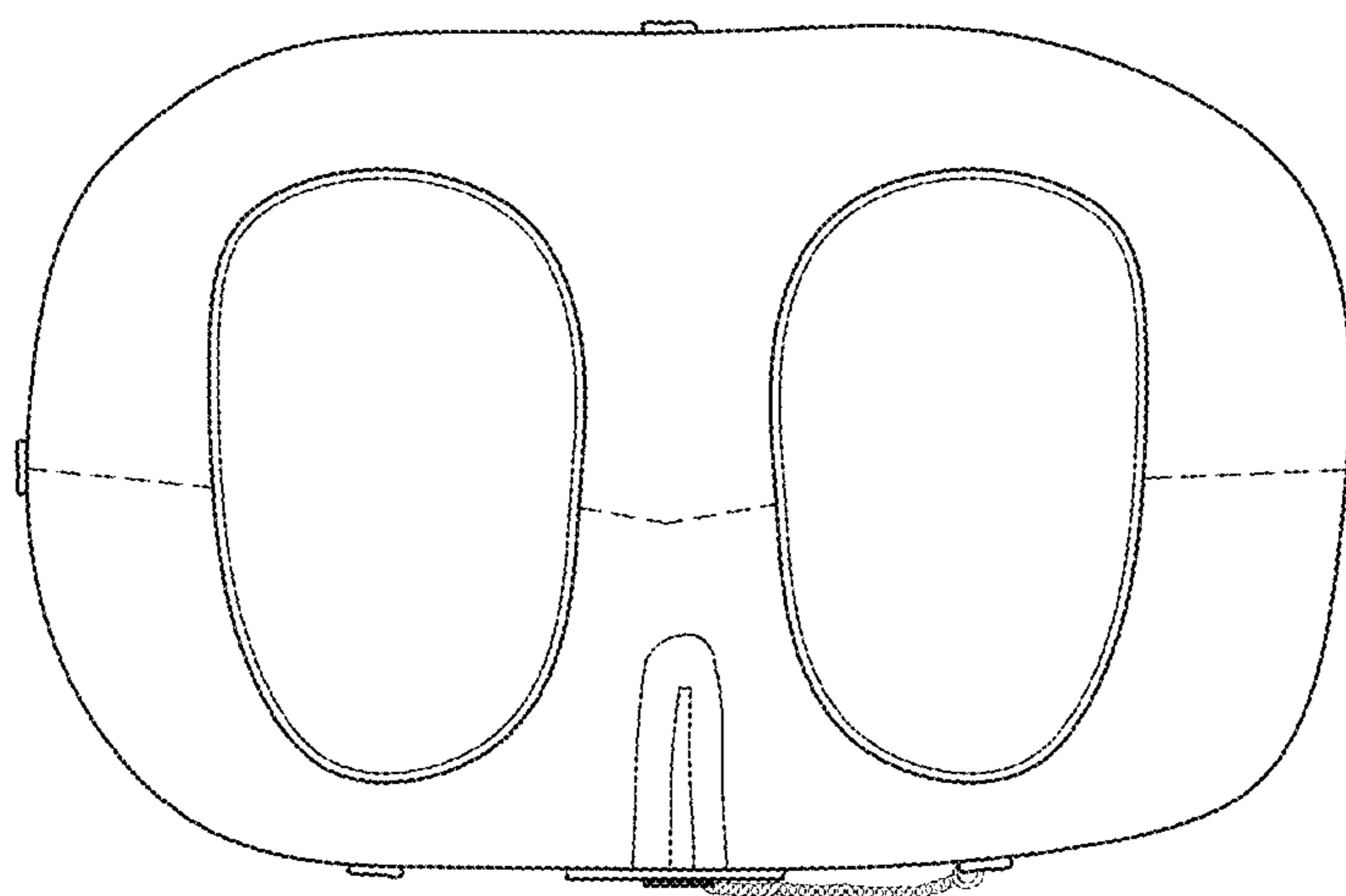


Fig. 6



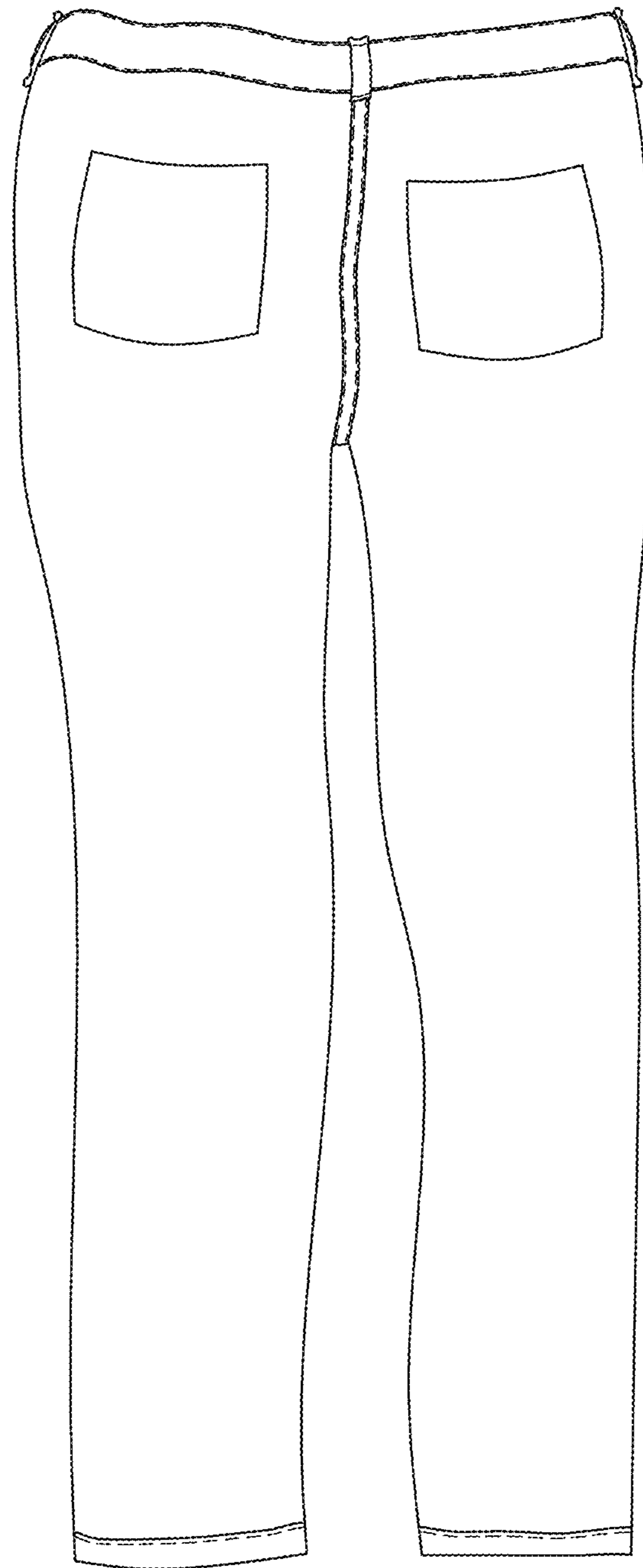


Fig. 7

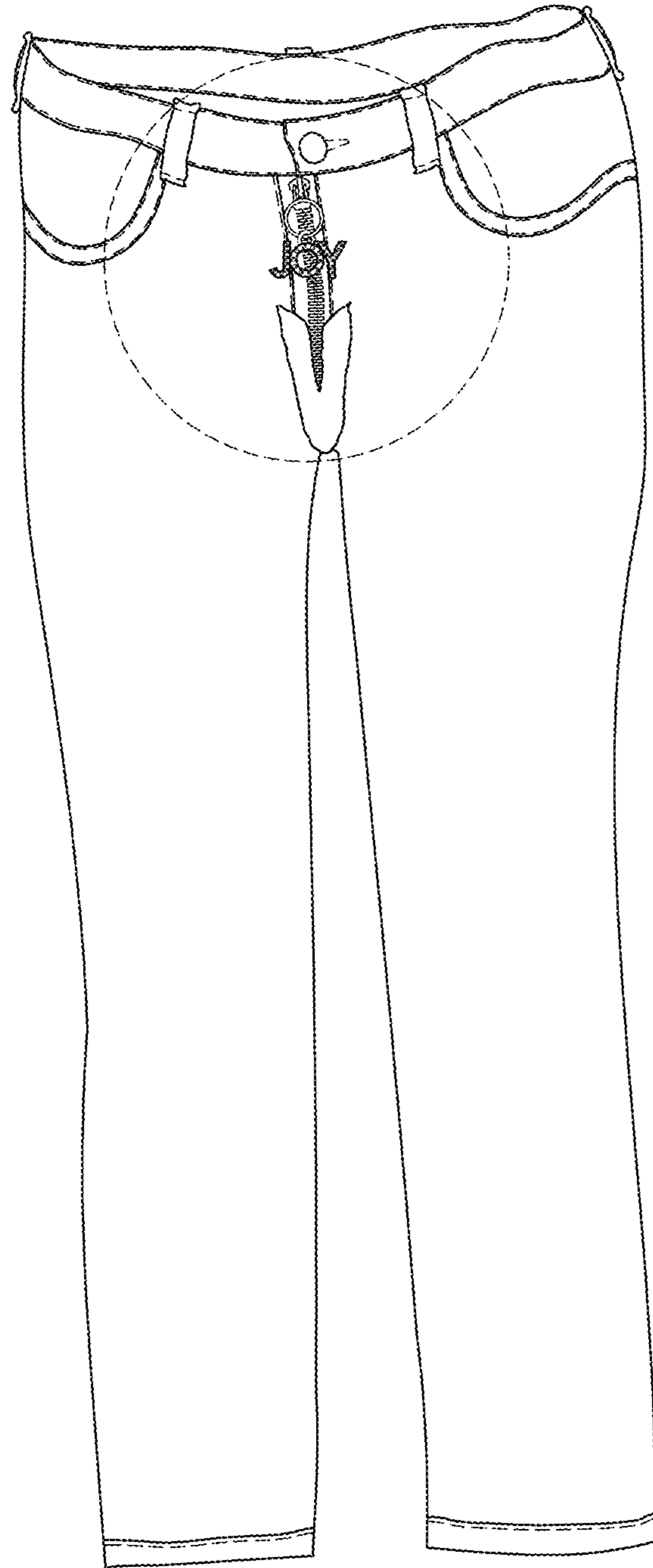


Fig. 8



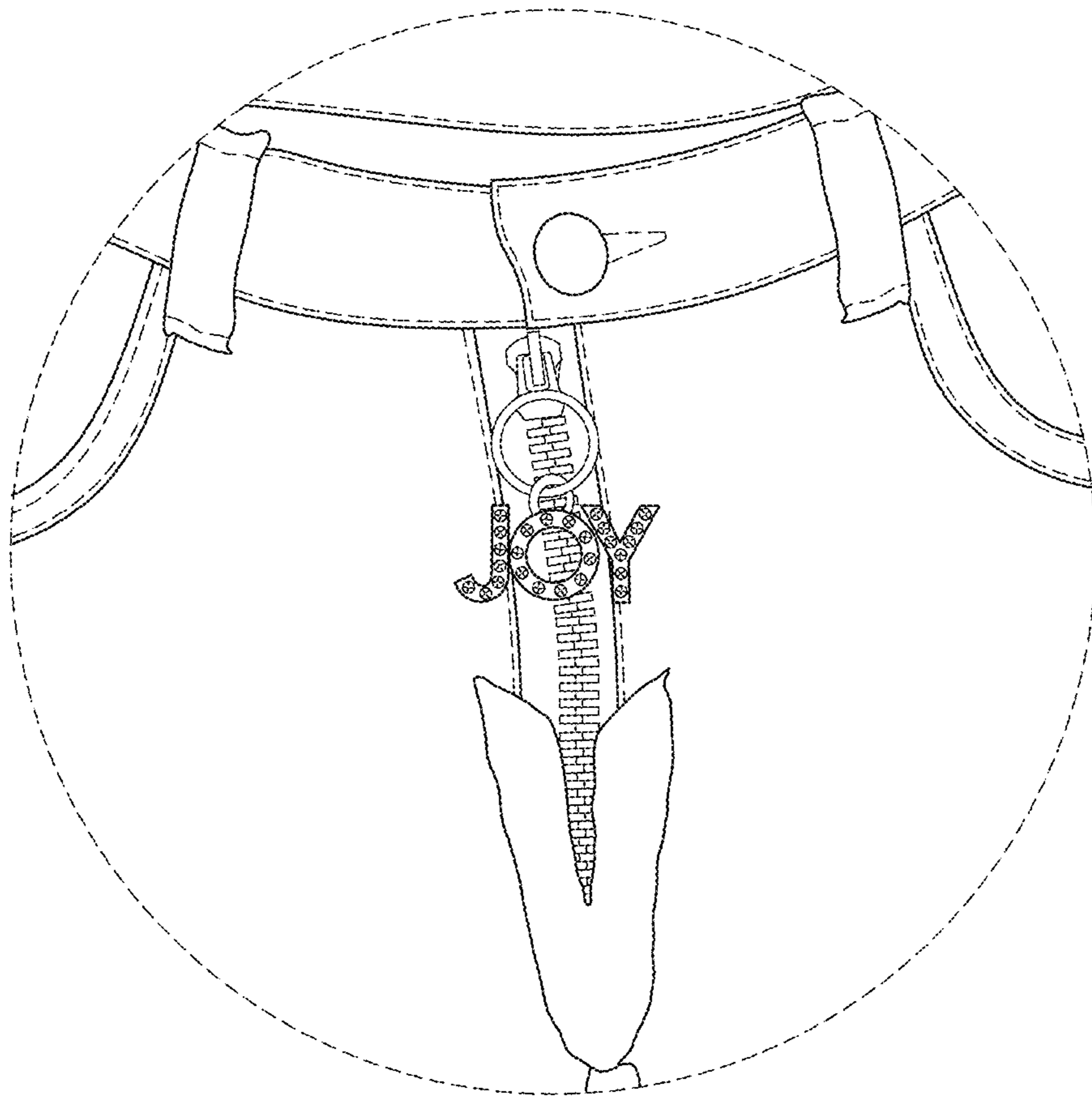


Fig. 9

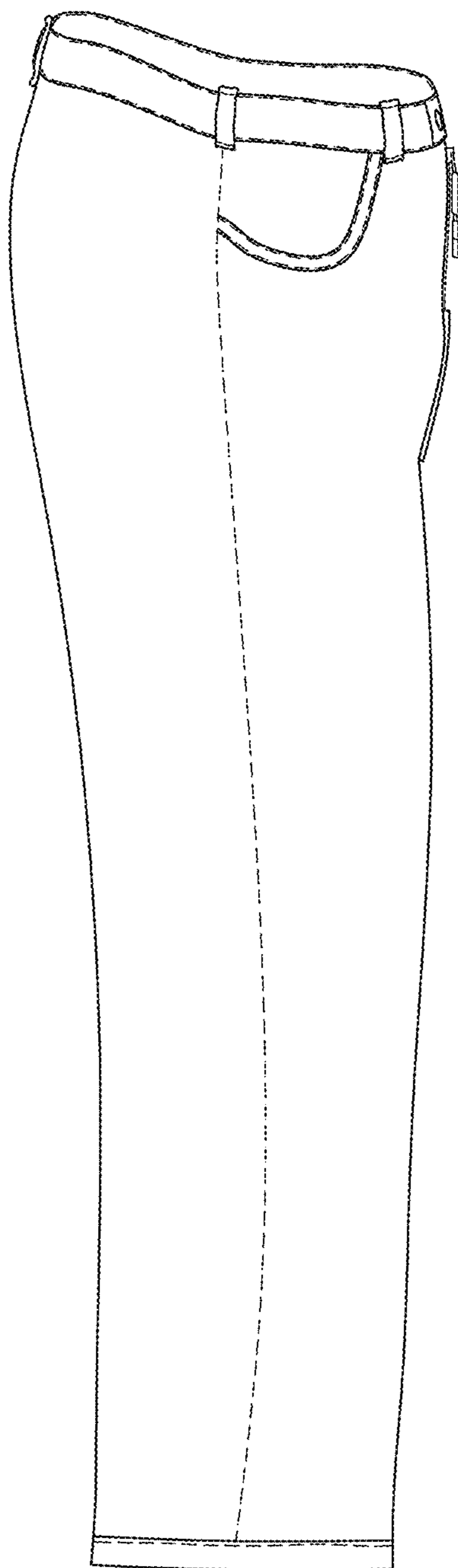


Fig. 10

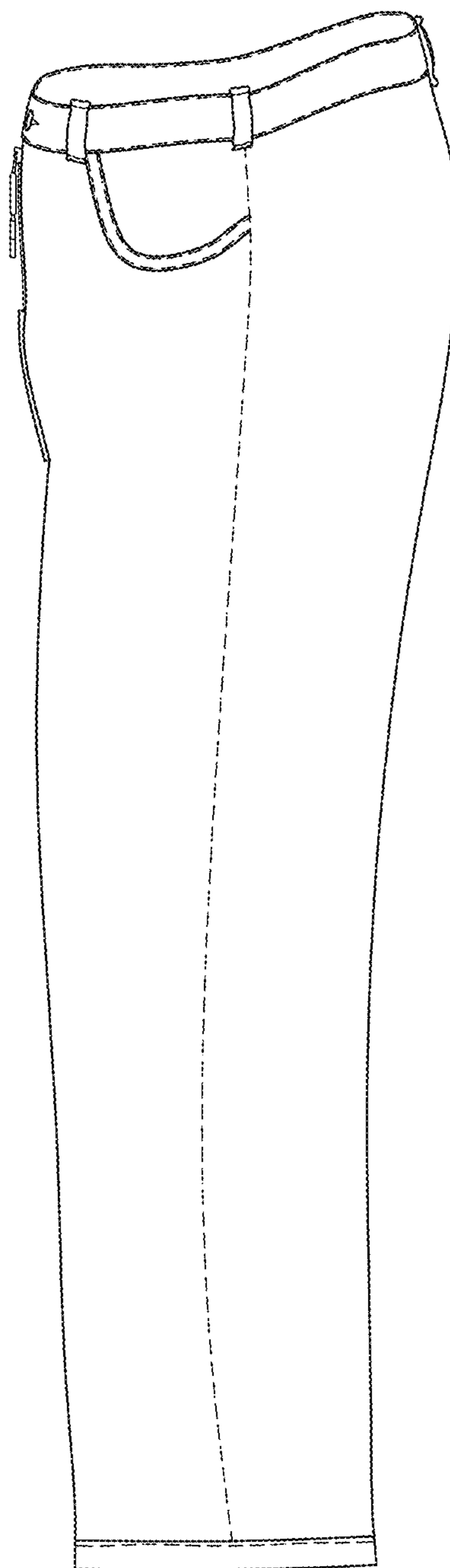


Fig. 11

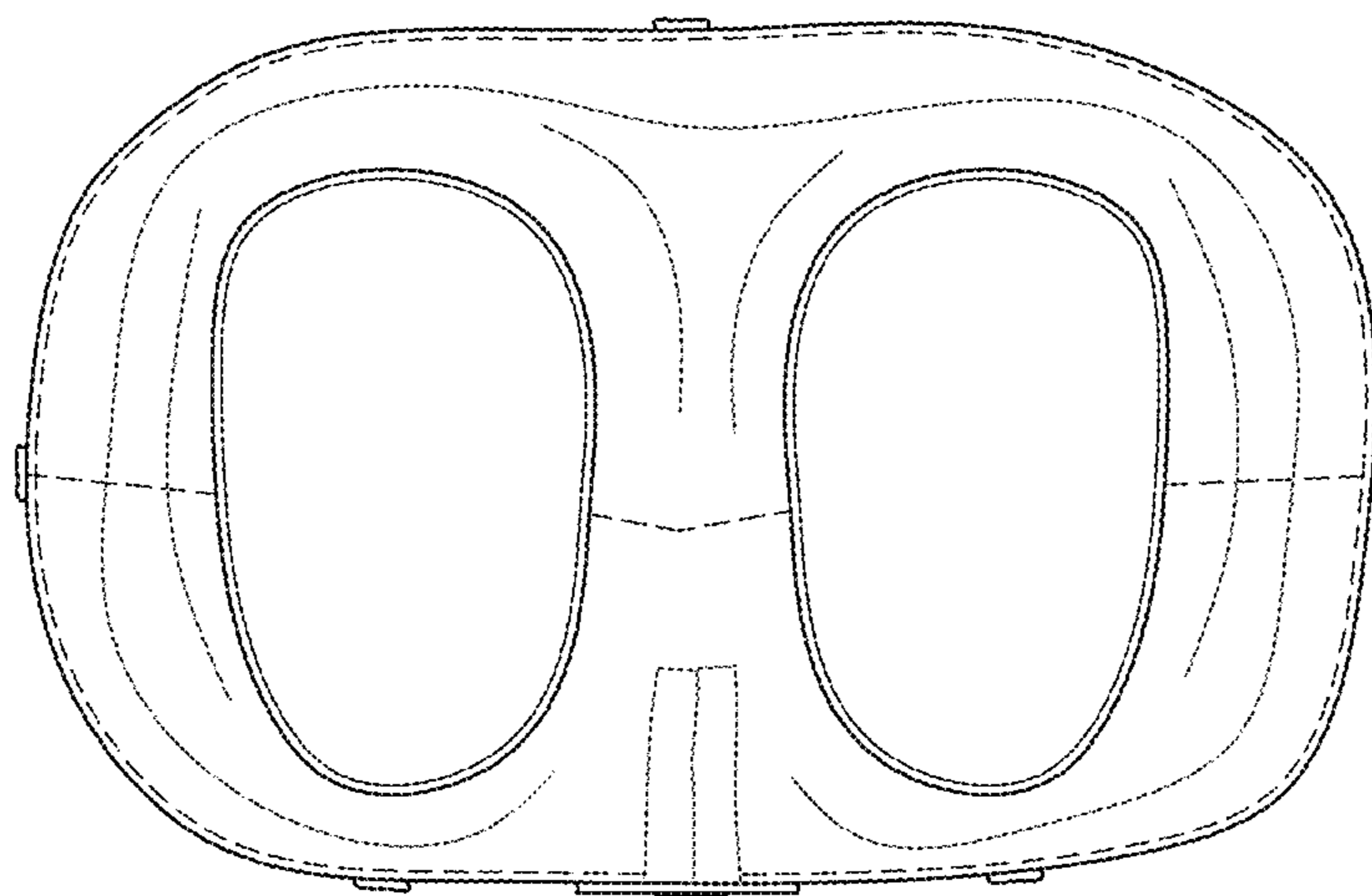


Fig. 12

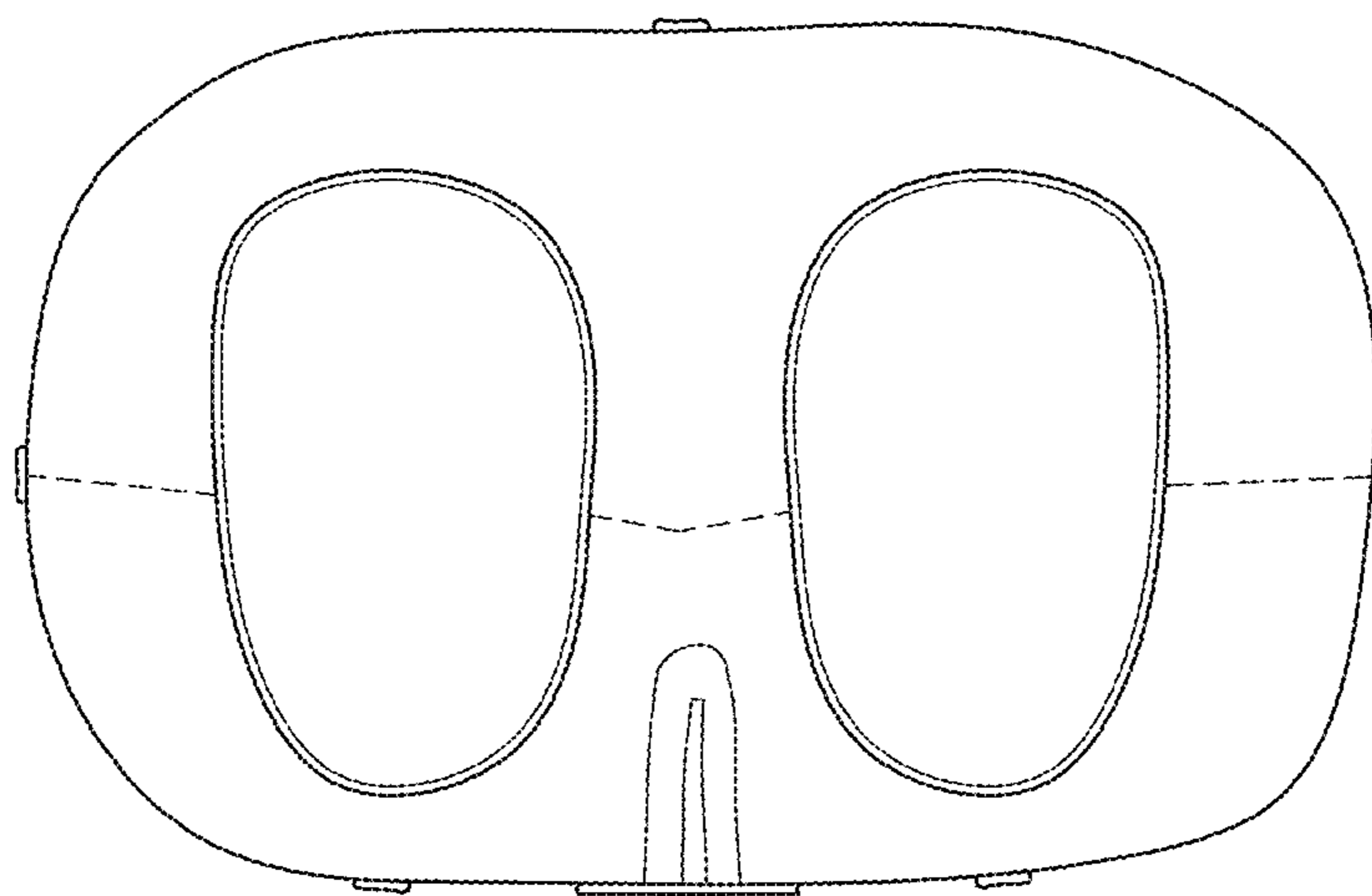


Fig. 13

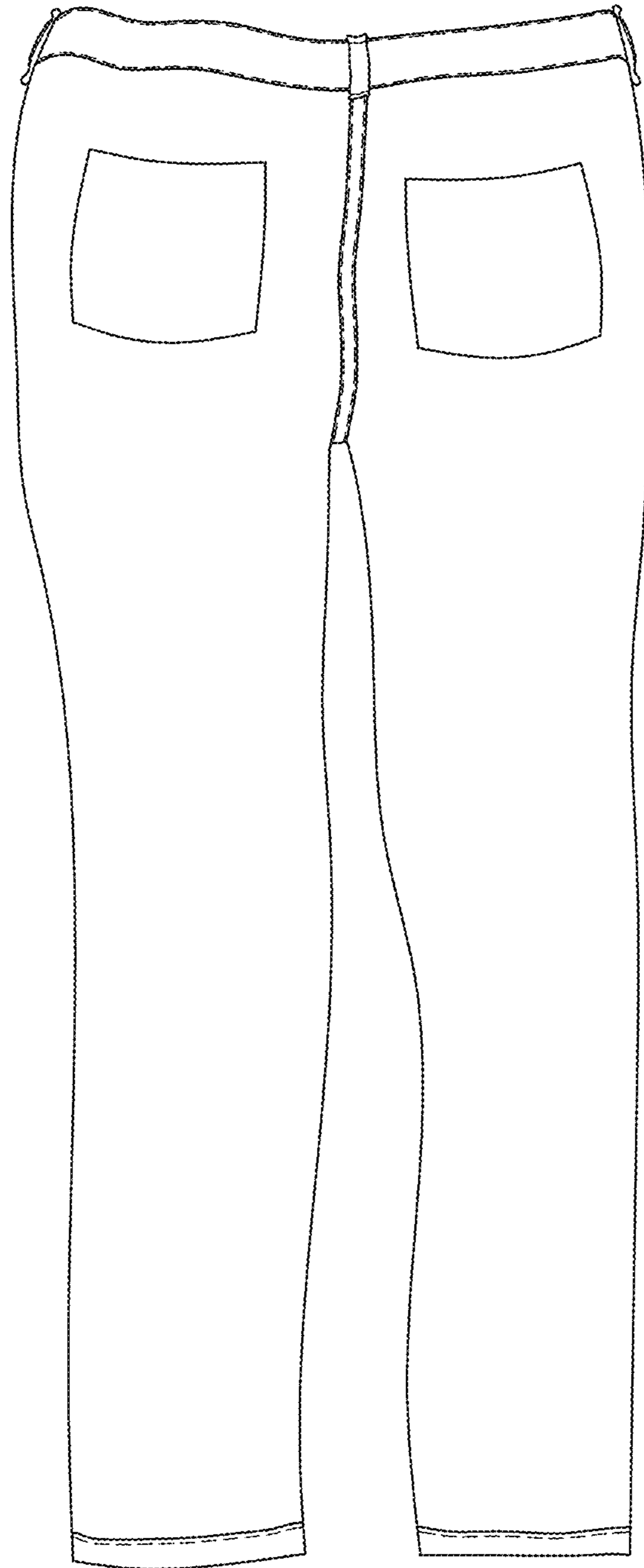


Fig. 14

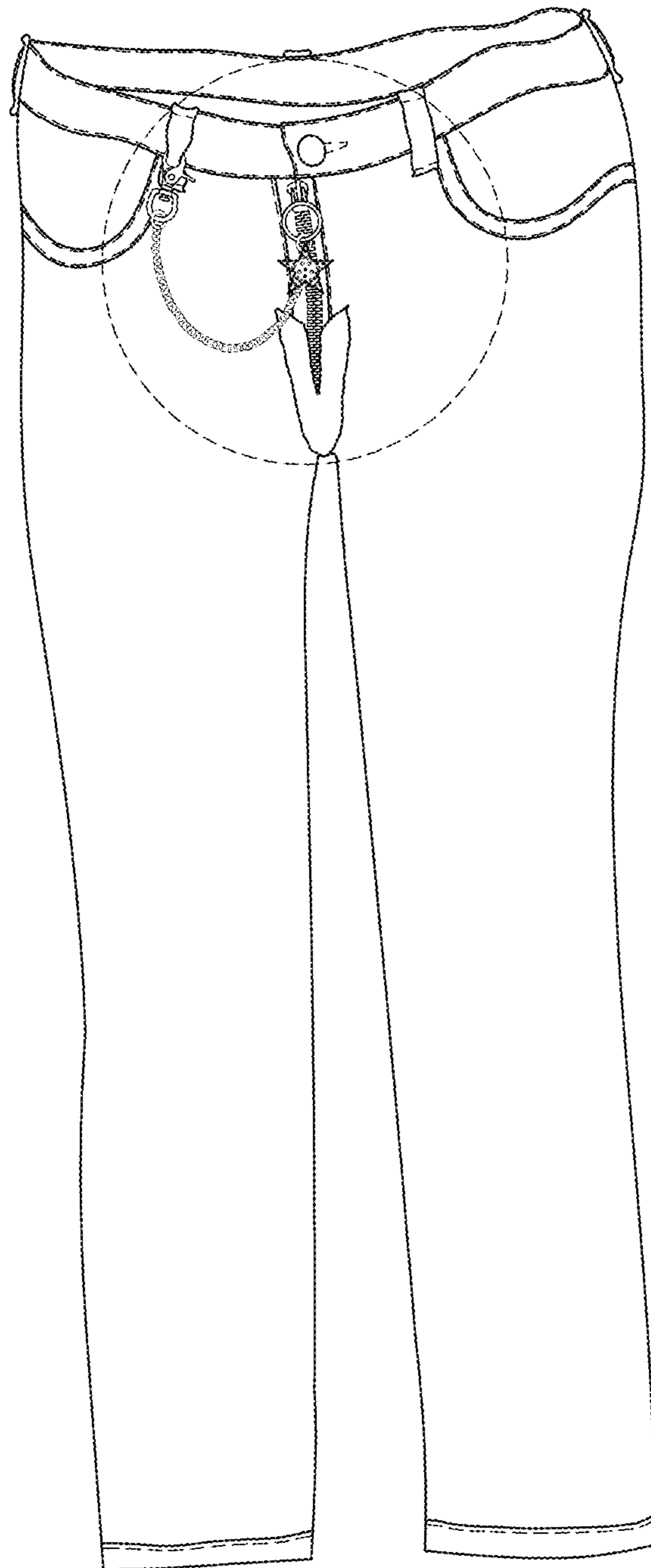


Fig. 15

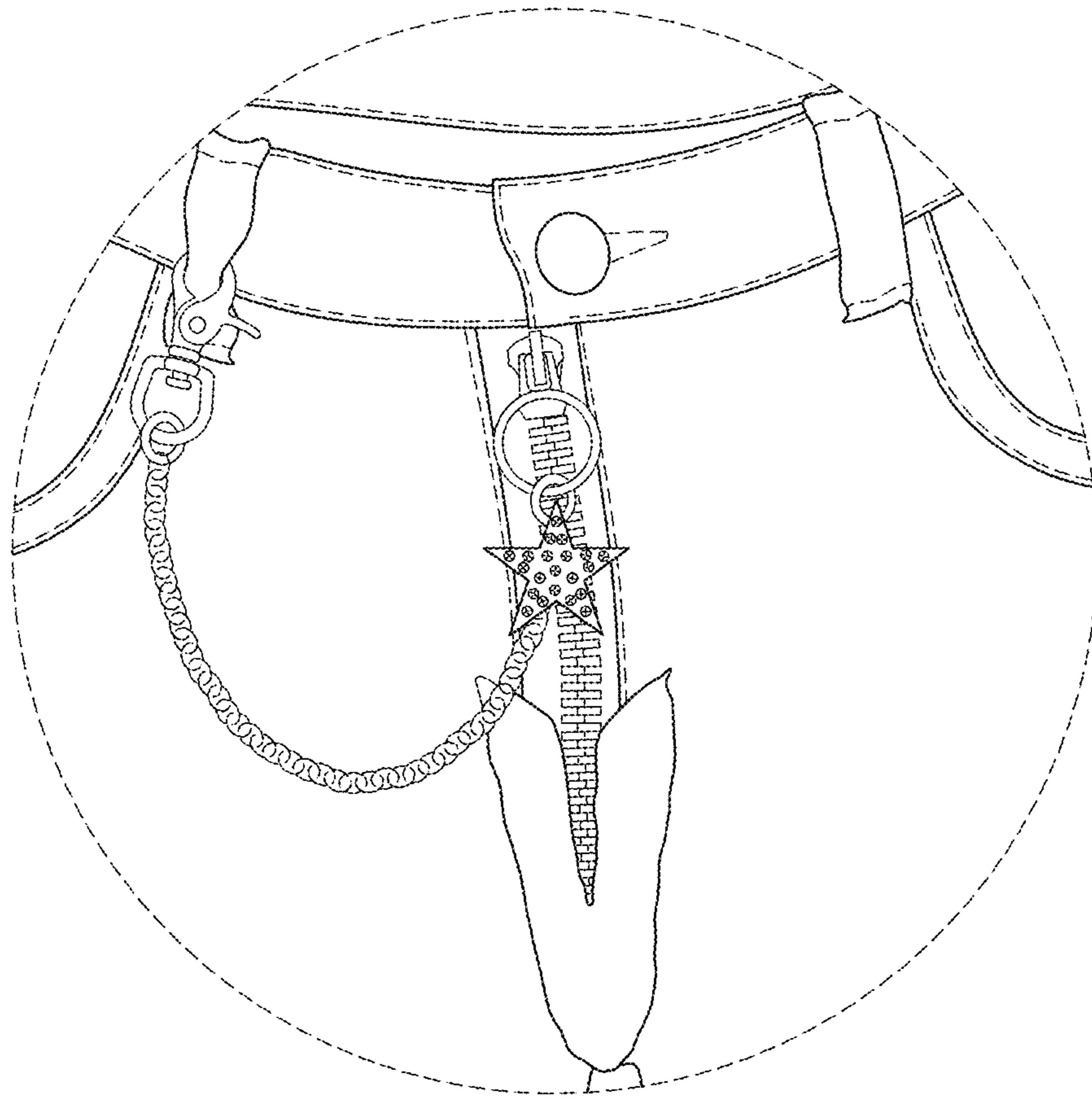


Fig. 16



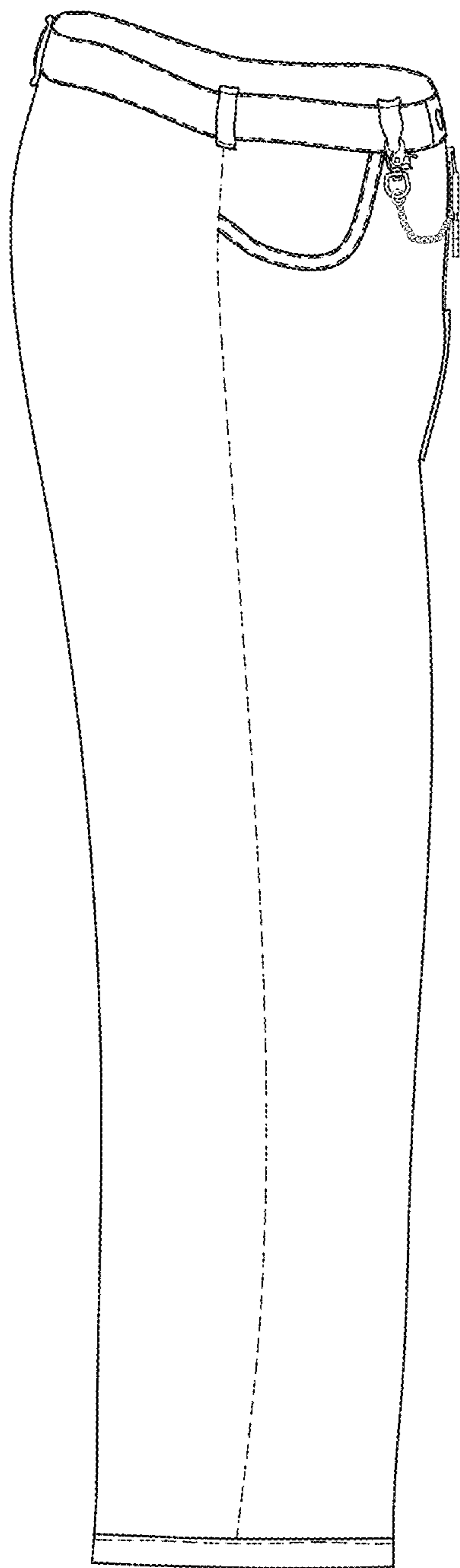


Fig. 17

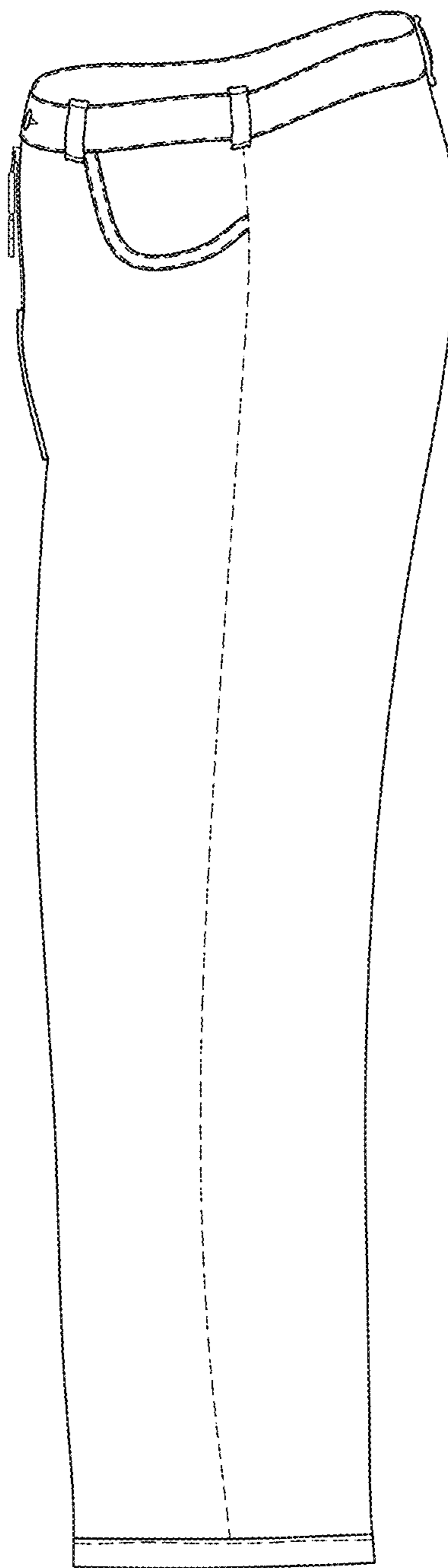


Fig. 18

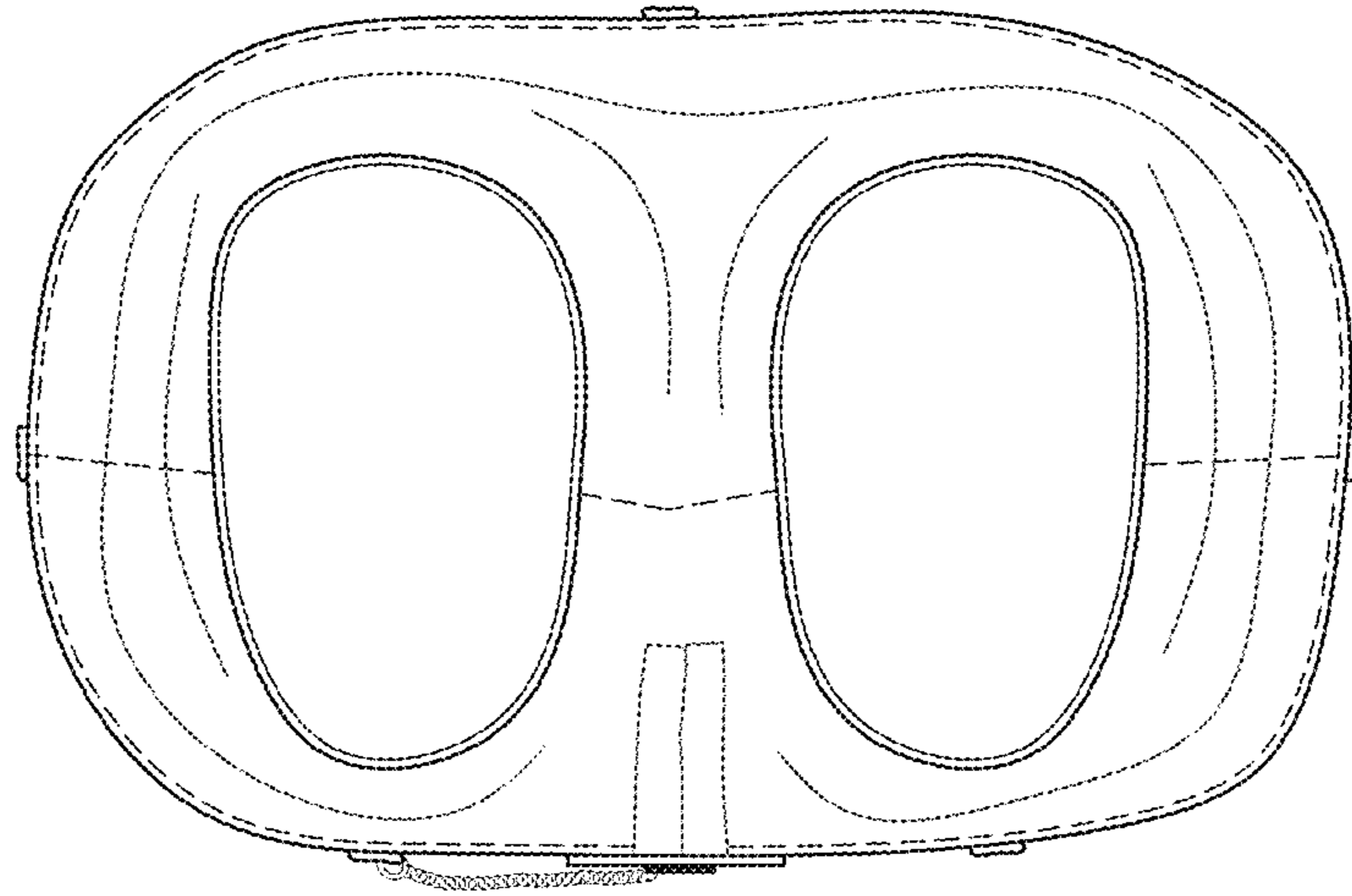


Fig. 19

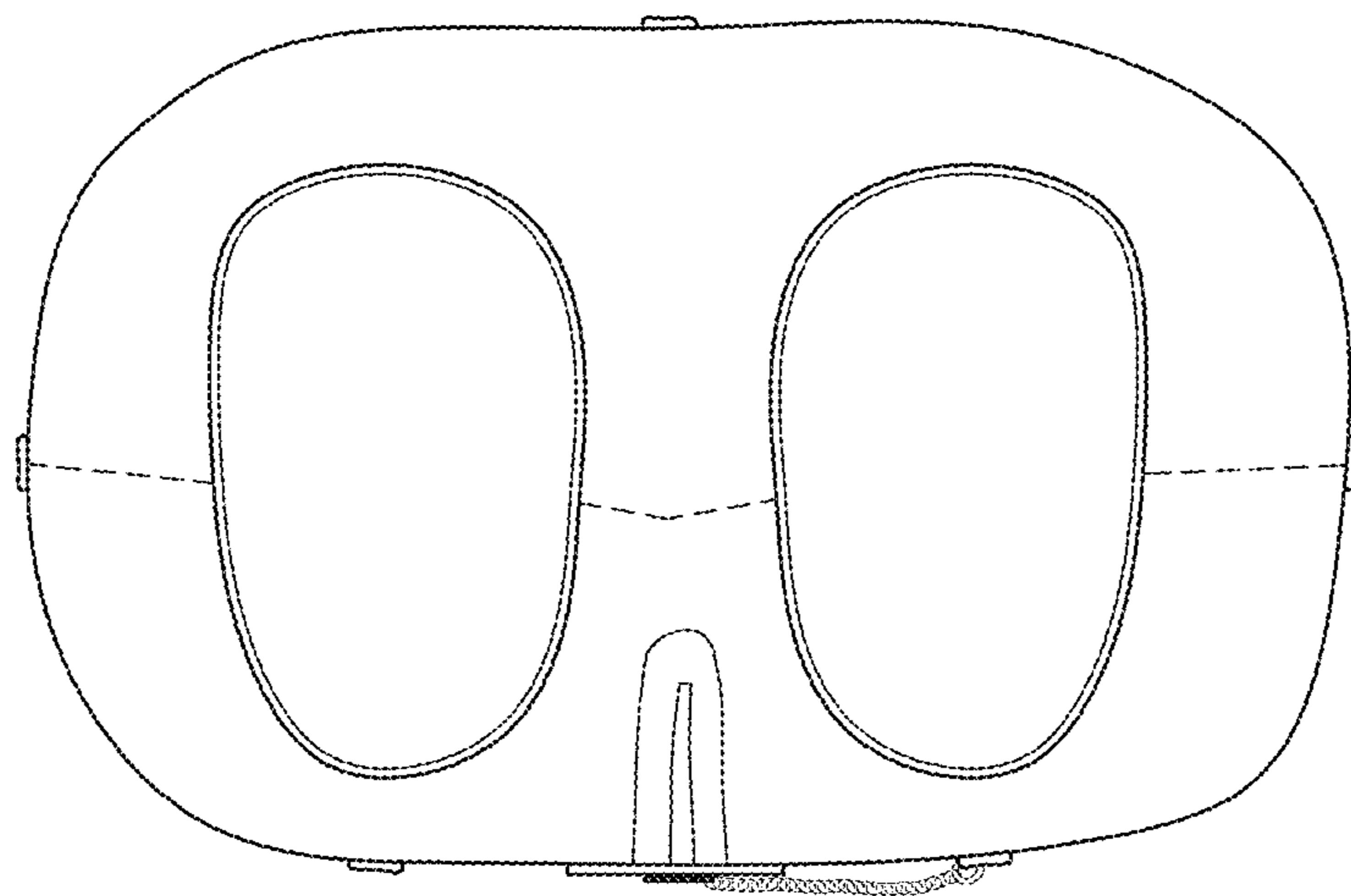


Fig. 20

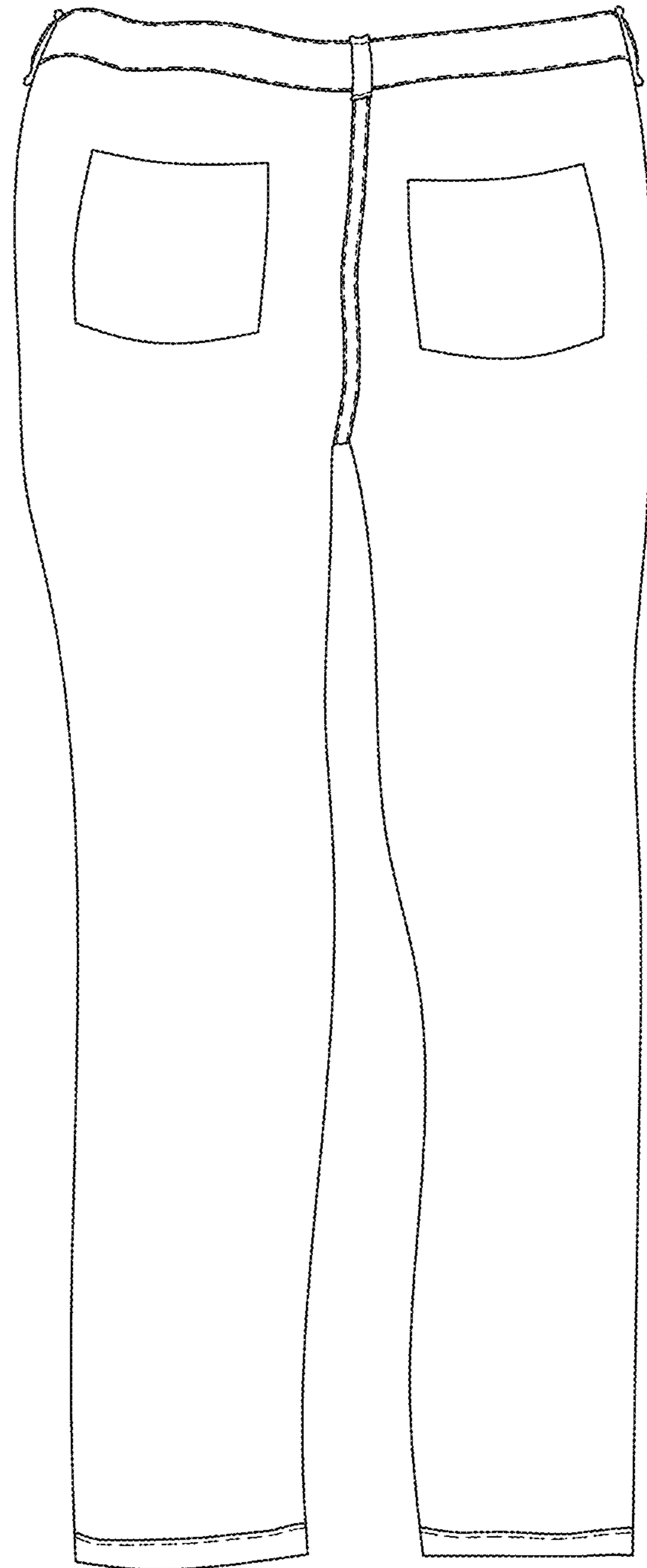


Fig. 21

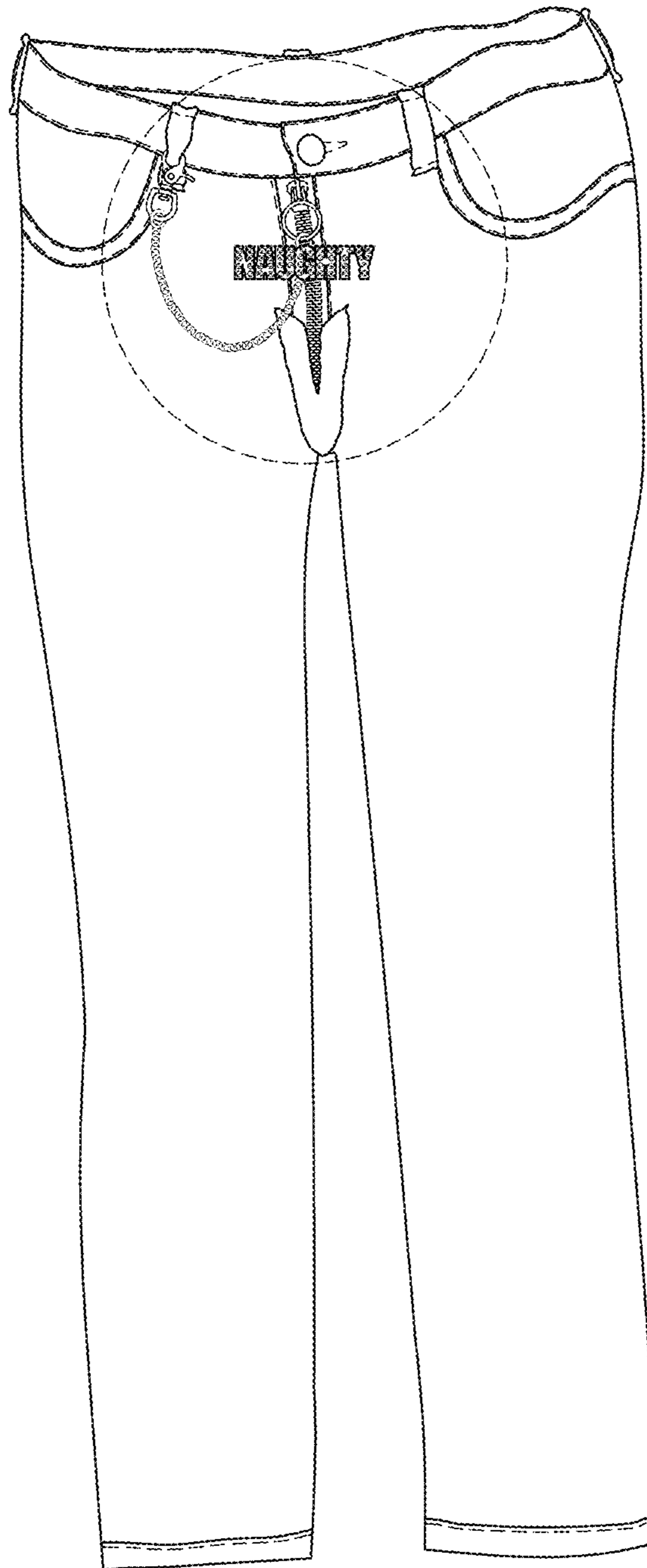


Fig. 22

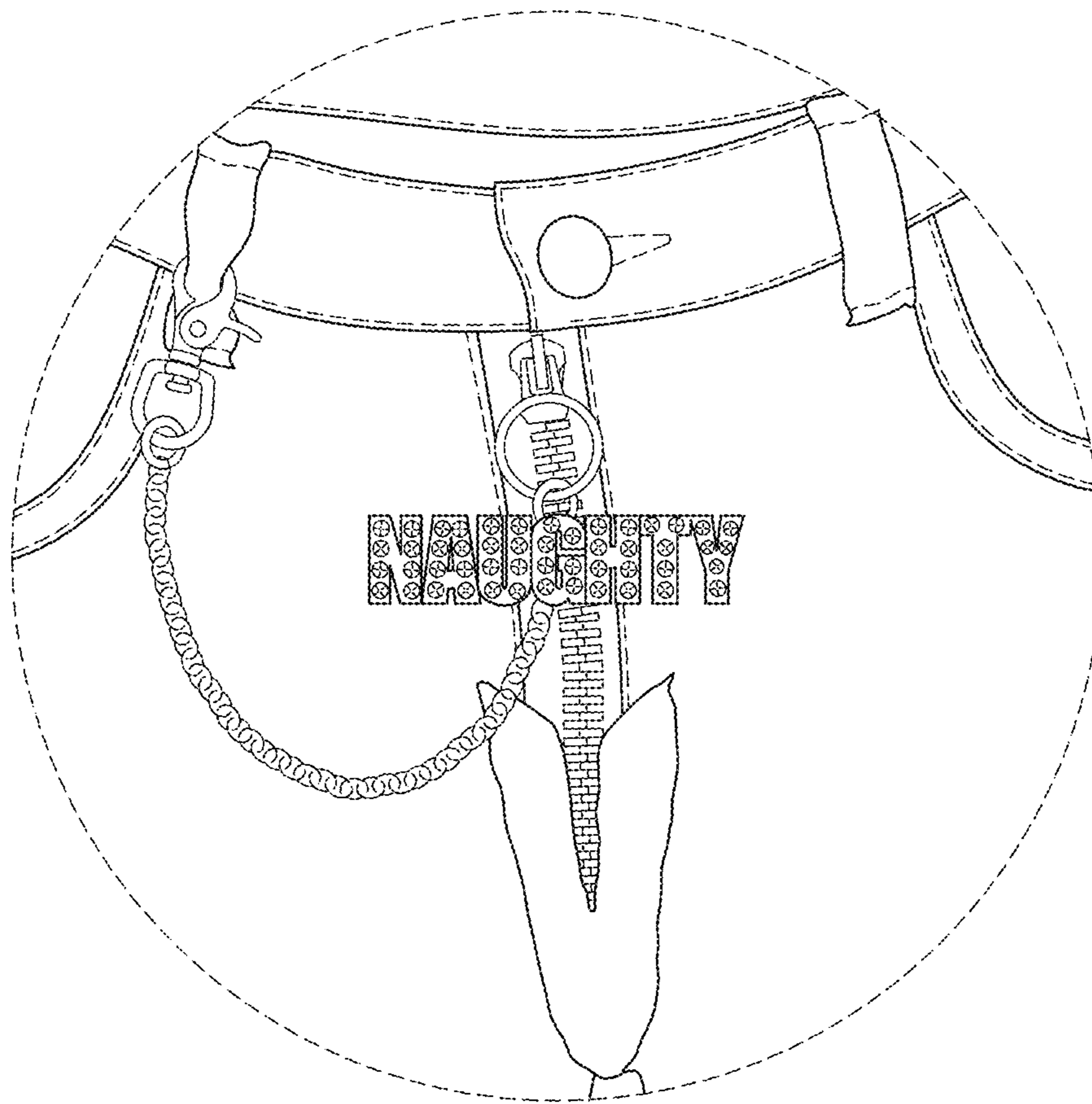


Fig. 23

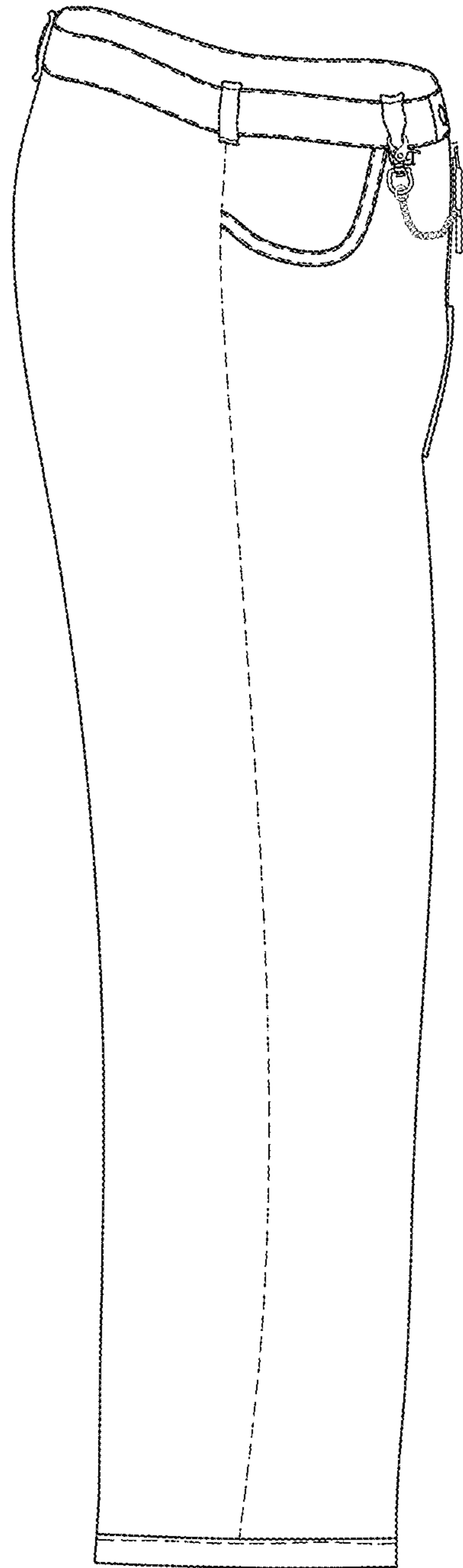


Fig. 24

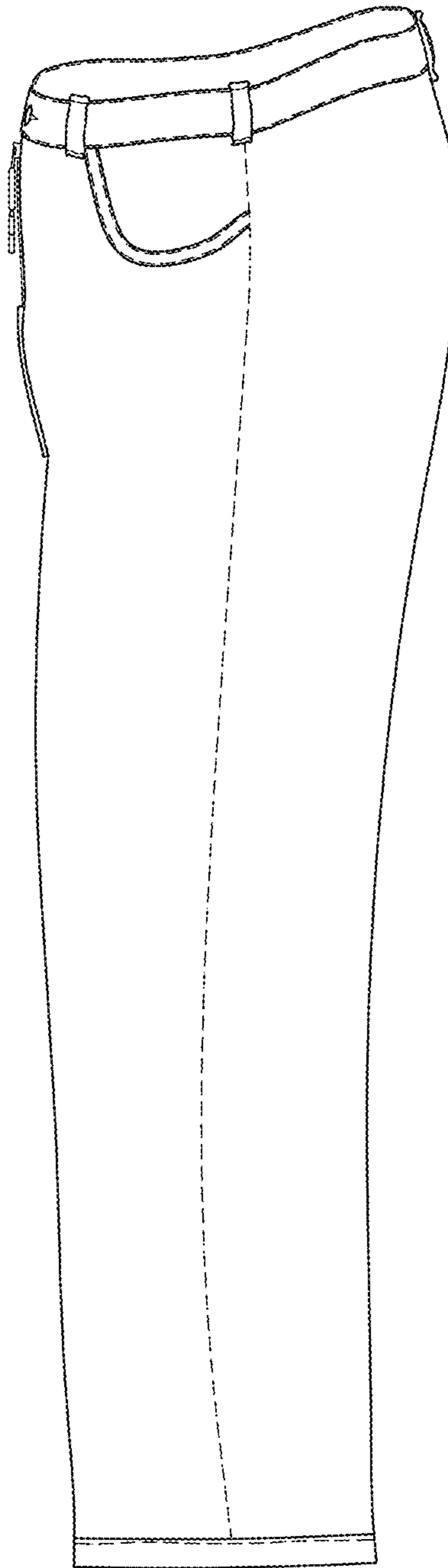


Fig. 25



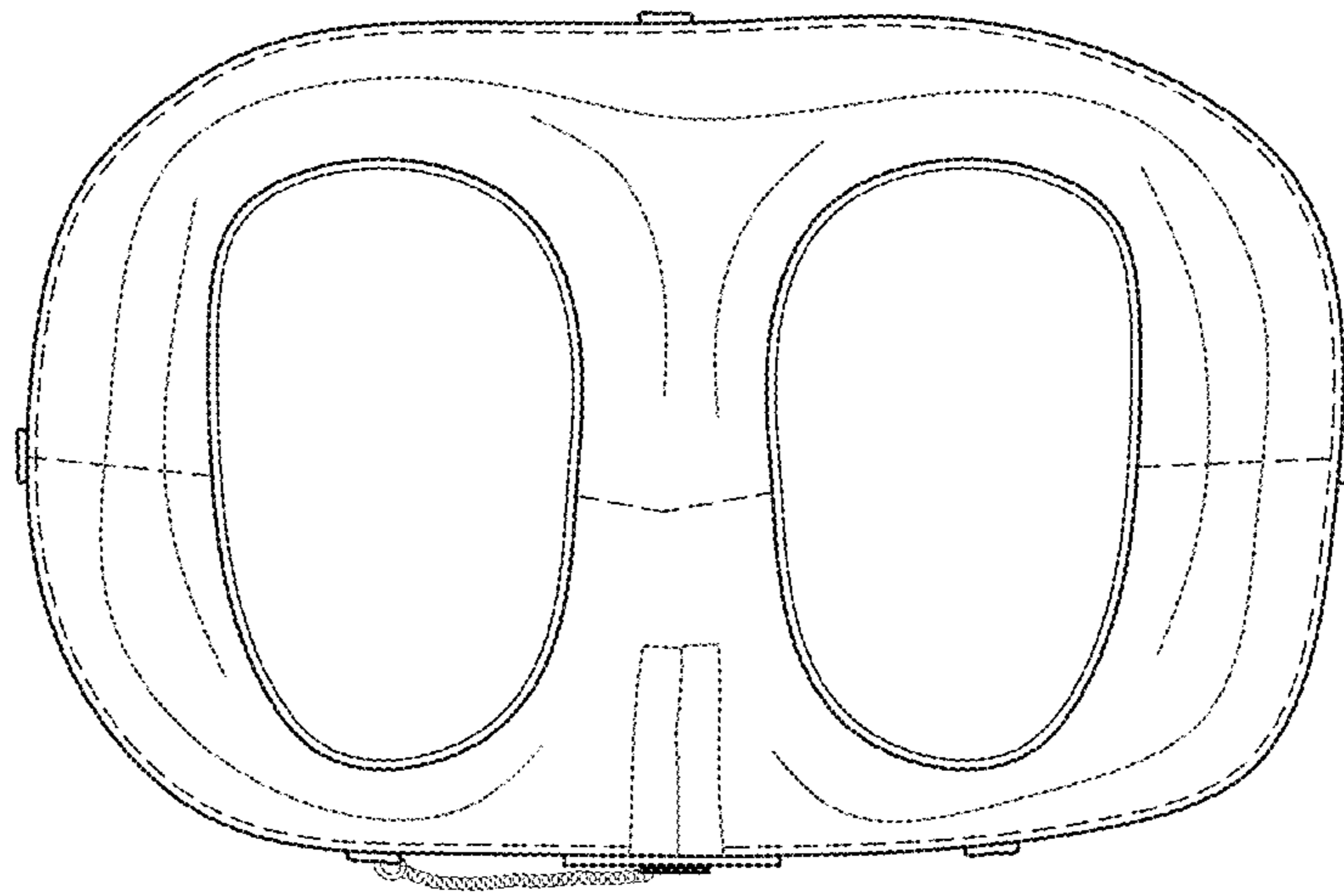


Fig. 26

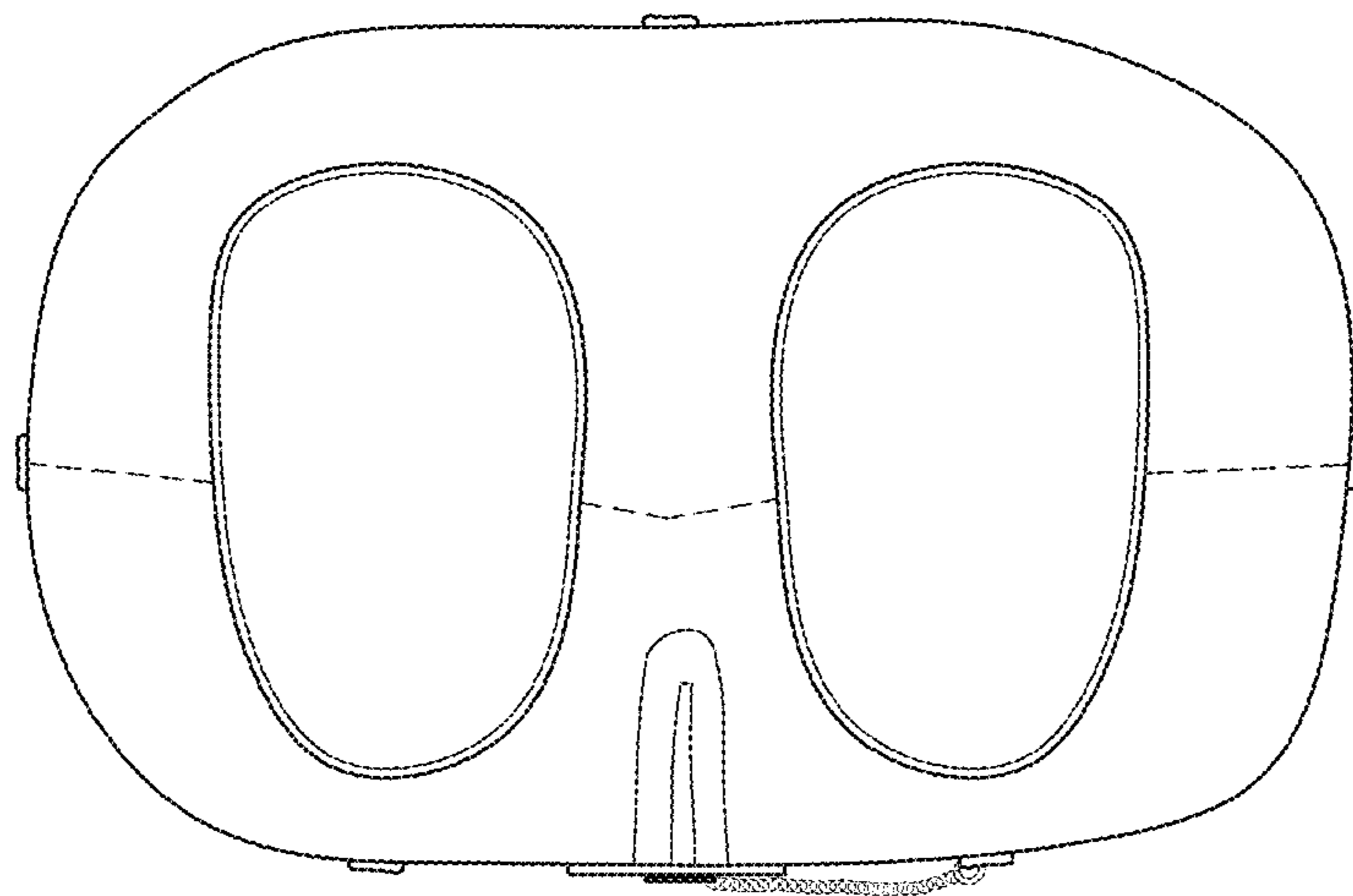


Fig. 27

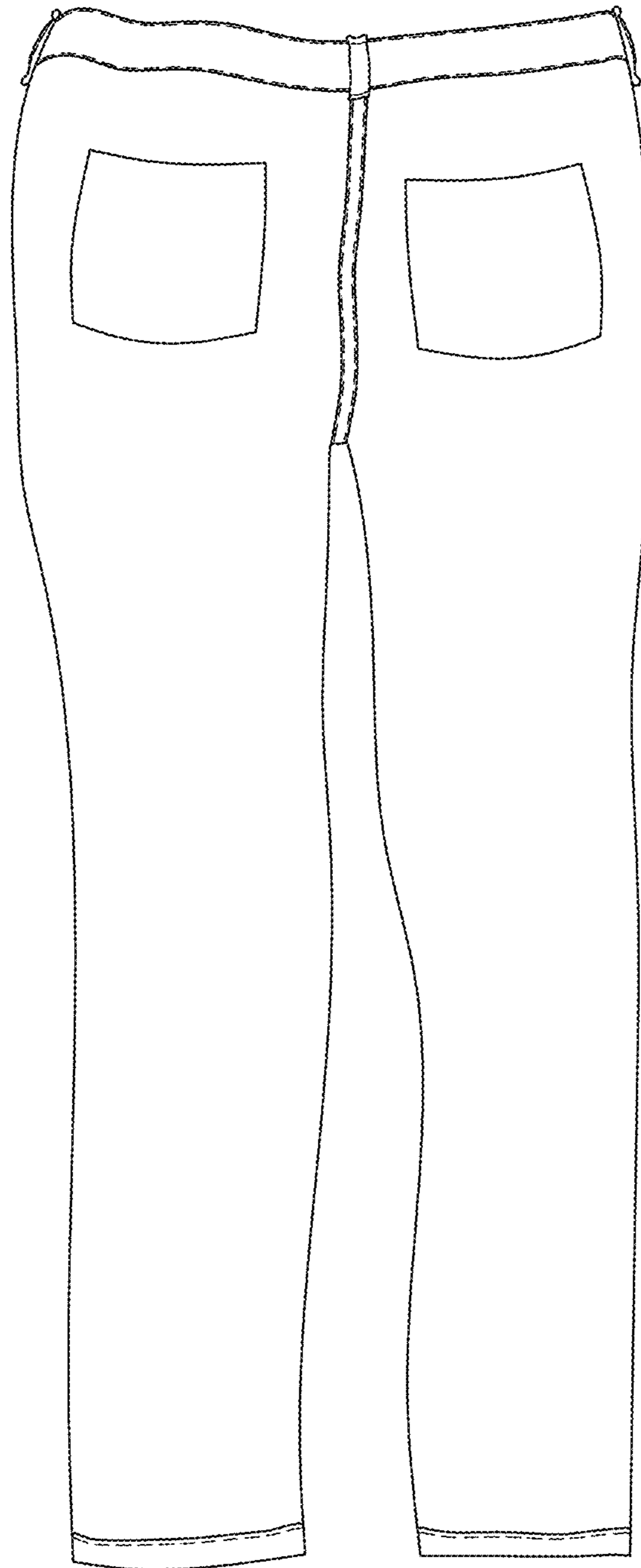


Fig. 28