



US00D782154S

(12) **United States Design Patent**
Pearson

(10) **Patent No.:** **US D782,154 S**
(45) **Date of Patent:** **** Mar. 28, 2017**

(54) **PAD SUPPORT ASSEMBLY FOR DEVICE TO ASSIST PARAPLEGICS WITH GETTING DRESSED**

(71) Applicant: **Douglas Terry Pearson**, Pleasanton, CA (US)

(72) Inventor: **Douglas Terry Pearson**, Pleasanton, CA (US)

(**) Term: **14 Years**

(21) Appl. No.: **29/515,725**

(22) Filed: **Jan. 26, 2015**

(51) **LOC (10) Cl.** **07-99**

(52) **U.S. Cl.**
USPC **D2/641**

(58) **Field of Classification Search**
USPC D2/641-643; D6/686; D20/33; D32/59; D12/119
CPC A44B 99/005; A47G 25/80; A47G 25/82; A47G 25/84; A47G 25/845; A47G 25/86; A47G 25/904; A47G 25/907; A47G 25/92; A47F 8/00; A61G 7/1019; A61G 2200/36; A61G 2200/52

See application file for complete search history.

(56) **References Cited**

U.S. PATENT DOCUMENTS

3,063,752 A * 11/1962 Moore A61G 5/14 297/411.1
D337,881 S * 8/1993 Peeler D2/641
D365,913 S * 1/1996 Ballard D2/641
5,884,935 A * 3/1999 Tholkes A61G 5/14 280/650

7,424,756 B2 * 9/2008 Van Raemdonck A61G 7/10 5/81.1 R
D590,162 S * 4/2009 Simpson D6/367
D652,356 S * 1/2012 Lindloff D12/119
D724,499 S * 3/2015 Parvey D12/119
2007/0085405 A1 * 4/2007 Grotner A61G 7/1007 297/423.11
2015/0028067 A1 * 1/2015 Pearson A47G 25/90 223/111

* cited by examiner

Primary Examiner — Celia Murphy

Assistant Examiner — Clare Ann Gannon

(74) *Attorney, Agent, or Firm* — Gerald R Prettyman

(57) **CLAIM**

The ornamental design for a pad support assembly for a device to assist paraplegics with getting dressed, as shown.

DESCRIPTION

This application is related to Non-Provisional application Ser. No. 14/327,101 filed Jul. 9, 2014 and Continuation application Ser. No. 14/527,621 filed Oct. 29, 2014, both titled "Device To Assist Paraplegics With Getting Dressed," both of which were invented by and are owned by the same entity as this Application.

FIG. 1 is a front view of a pad support assembly for a device to assist paraplegics with getting dressed, showing my new design.

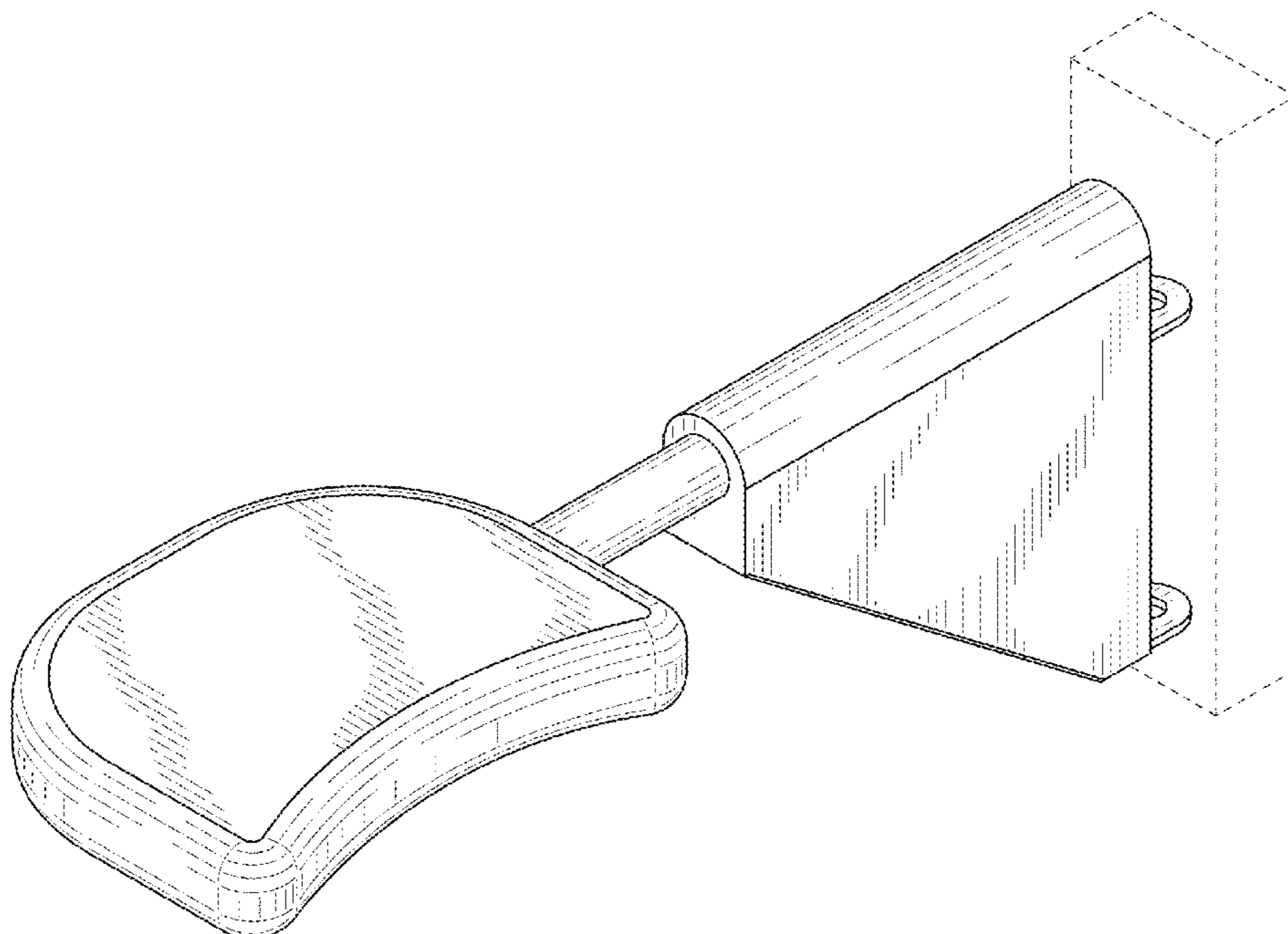
FIG. 2 is a side view thereof.

FIG. 3 is a top view thereof; and,

FIG. 4 is a perspective view thereof.

Broken lines are included to show unclaimed subject matter only and form no part of the claimed design.

1 Claim, 4 Drawing Sheets



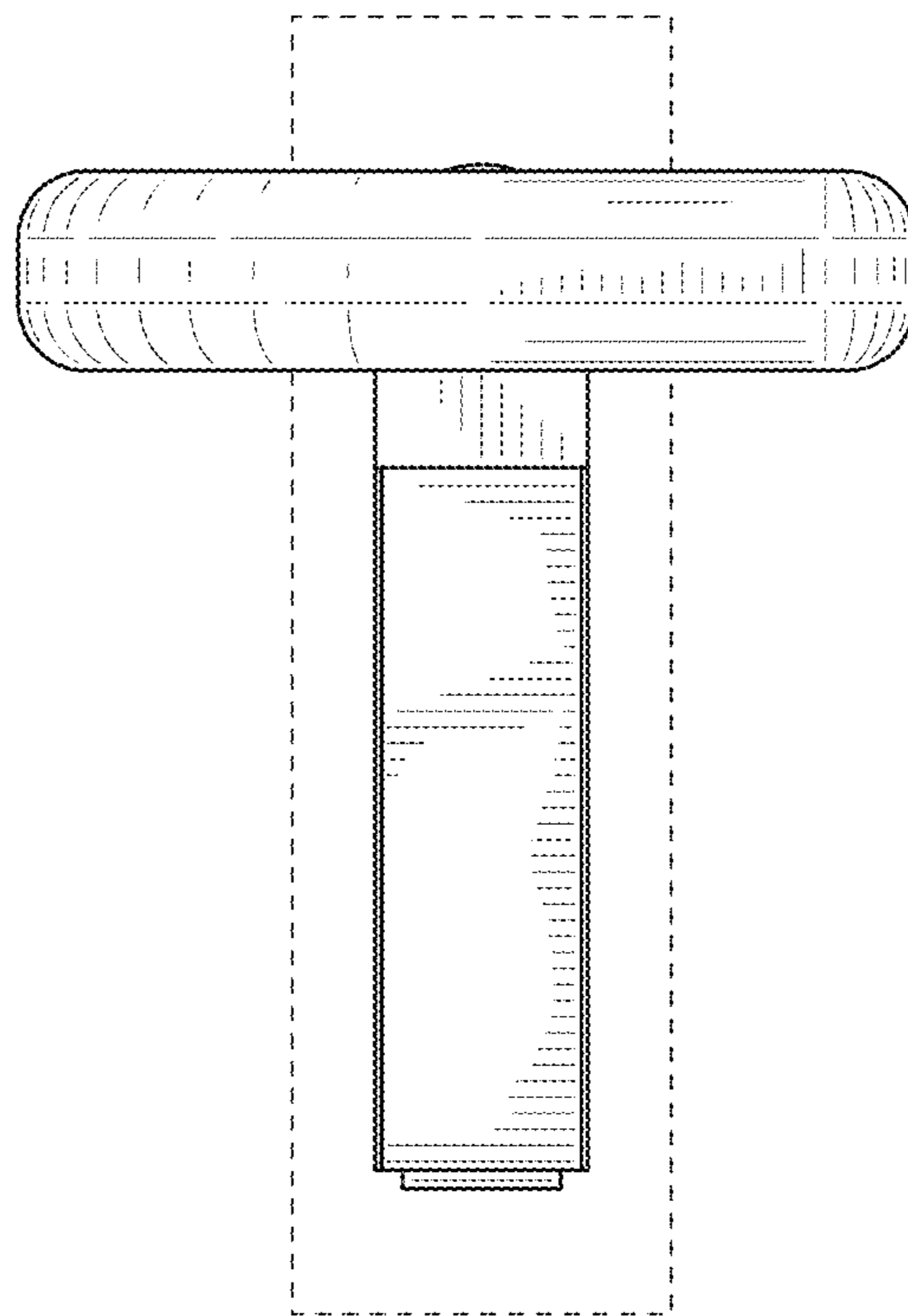


FIG. 1

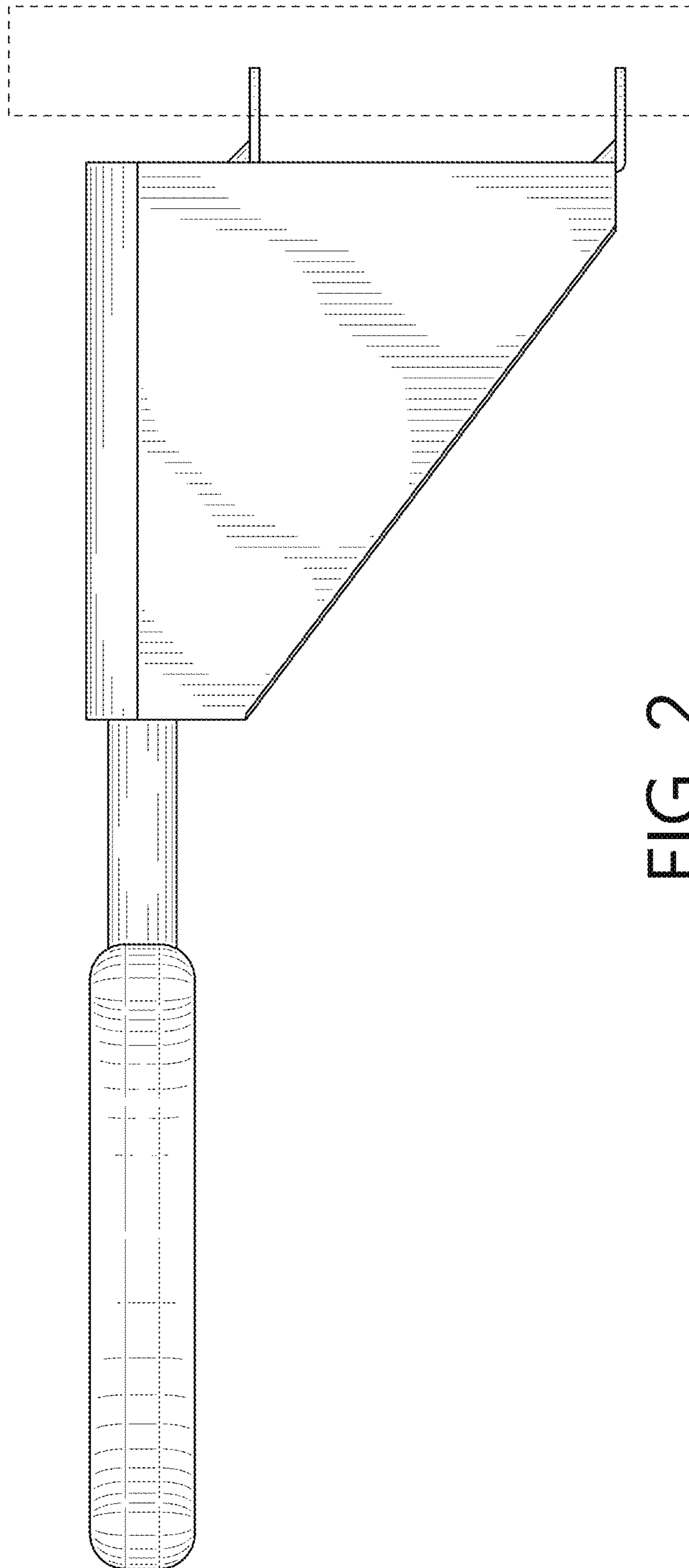


FIG. 2

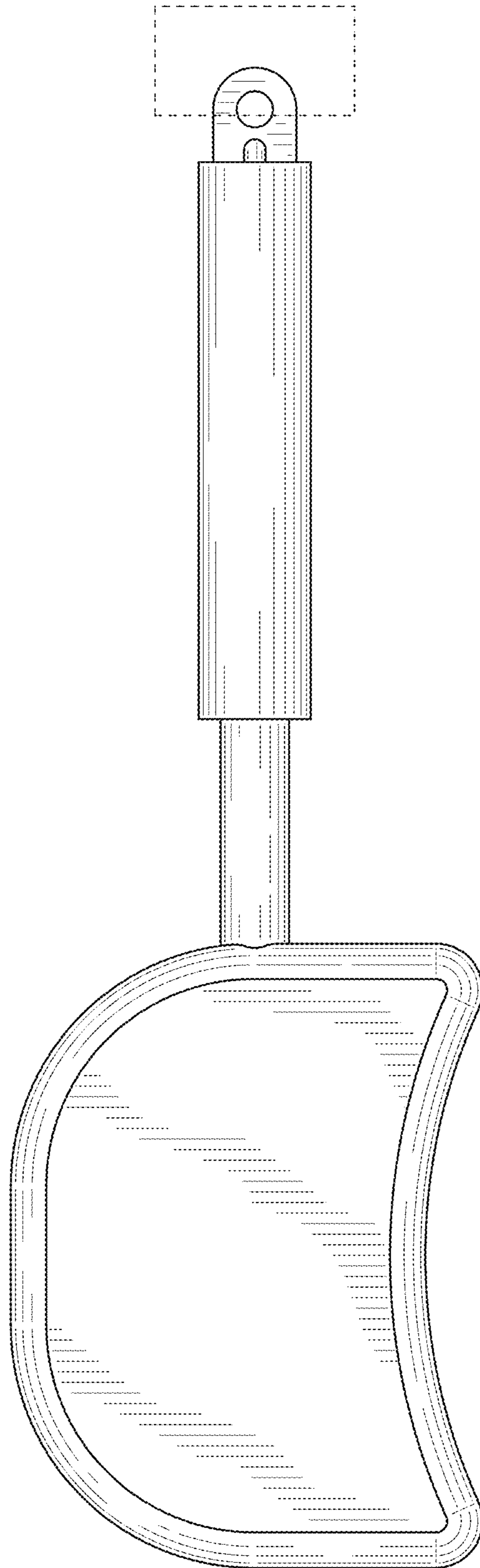


FIG. 3

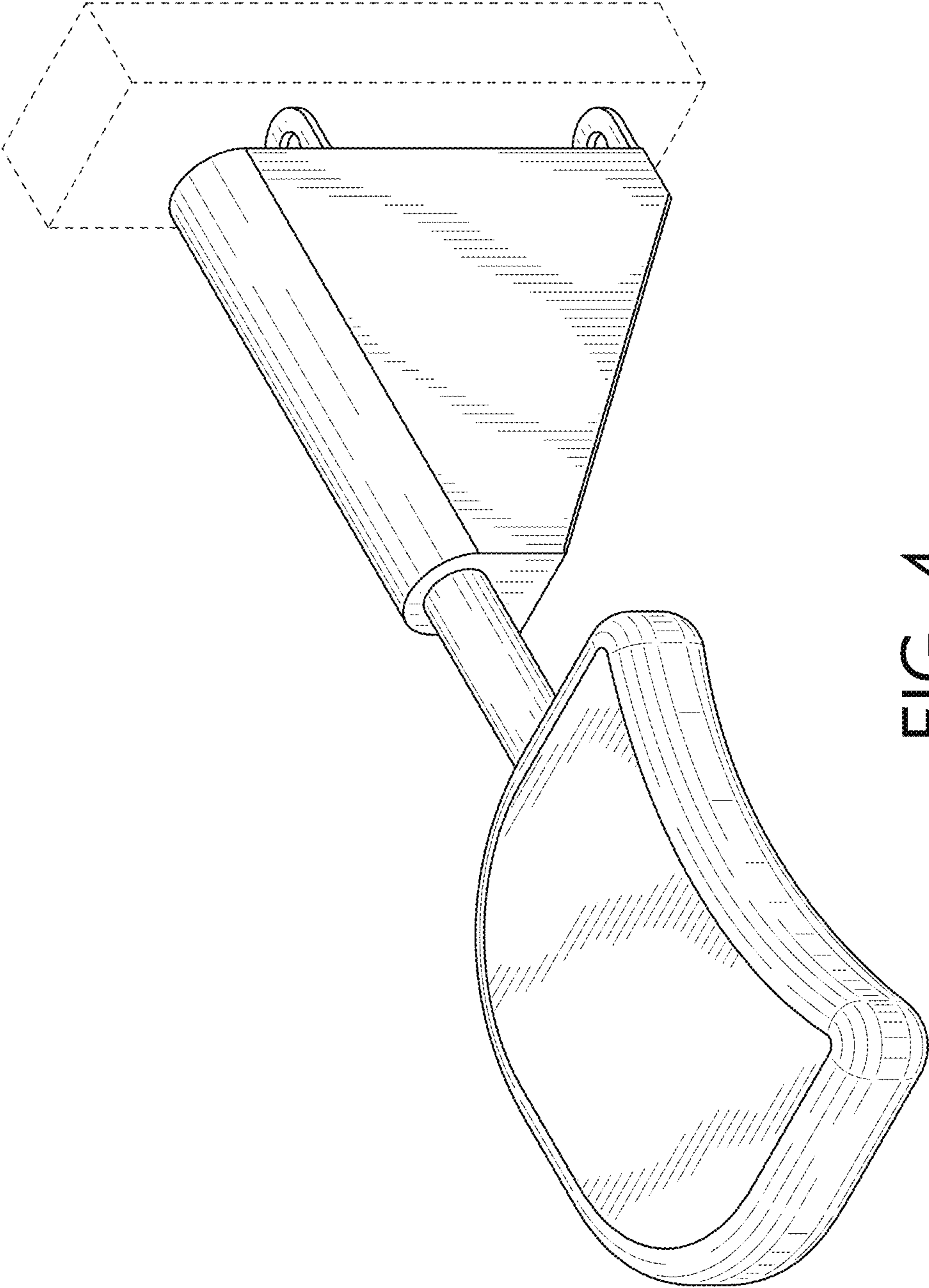


FIG. 4