



US00D782151S

(12) **United States Design Patent**
Gross et al.

(10) **Patent No.:** **US D782,151 S**

(45) **Date of Patent:** **** Mar. 28, 2017**

(54) **PET FOOD PIECE**

(71) Applicant: **Hill's Pet Nutrition, Inc.**, Topeka, KS (US)

(72) Inventors: **Kathy Gross**, Topeka, KS (US);
Shannon Morey, Topeka, KS (US);
Craig Cowley, Topeka, KS (US); **Geoff Bednar**, Lawrence, KS (US)

(73) Assignee: **Hill's Pet Nutrition, Inc.**, Topeka, KS (US)

(**) Term: **14 Years**

(21) Appl. No.: **29/515,306**

(22) Filed: **Jan. 21, 2015**

(51) **LOC (10) Cl.** **01-01**

(52) **U.S. Cl.**
USPC **D1/127; D1/125**

(58) **Field of Classification Search**
USPC D1/100-130, 199; 426/104, 108, 138,
426/391, 549, 808, 94, 143, 559, 560;
D11/12, 24, 40, 43, 79, 86, 95;
D24/101-104; 446/118, 128; D32/40;
D9/707, 756; D30/160
CPC A23G 3/50; A23G 3/54; A23J 3/26; A23L
1/0067

See application file for complete search history.

(56) **References Cited**

U.S. PATENT DOCUMENTS

D32,718 S * 5/1900 Kimmell D24/100
787,887 A * 4/1905 Baker A23G 3/54
426/103
D123,407 S * 11/1940 Kimmell D28/8.2
D157,728 S * 3/1950 Bianchi D1/127
D229,175 S * 11/1973 Libertone D1/127

D254,338 S * 3/1980 Miller D1/106
D271,817 S * 12/1983 Collin D32/40
D364,721 S * 12/1995 Martinez
D406,186 S * 3/1999 Robles D1/102
D411,933 S * 7/1999 Bernstein 5/735
D415,601 S * 10/1999 Sherman D1/106
D416,372 S * 11/1999 Sherman D1/127
D435,955 S * 1/2001 Speck D1/106
D441,445 S * 5/2001 Huang D24/102
6,227,881 B1 * 5/2001 Tharp H01R 9/032
174/29
D489,161 S * 5/2004 Hague D1/106
D588,766 S * 3/2009 Dunshee D32/40
D590,555 S * 4/2009 Dunshee D32/40
D613,029 S * 4/2010 Krumholz D1/127
D649,740 S * 12/2011 Bredin D1/125
8,366,776 B2 * 2/2013 Heinz A61F 2/4465
623/17.16
D707,417 S * 6/2014 Pearson D1/115
D720,456 S * 12/2014 Dacosta D24/155
D731,742 S * 6/2015 Clement D1/115
D761,516 S * 7/2016 Slusarczyk D1/115

(Continued)

Primary Examiner — Garth Rademaker

Assistant Examiner — Katie Stofko Mroczka

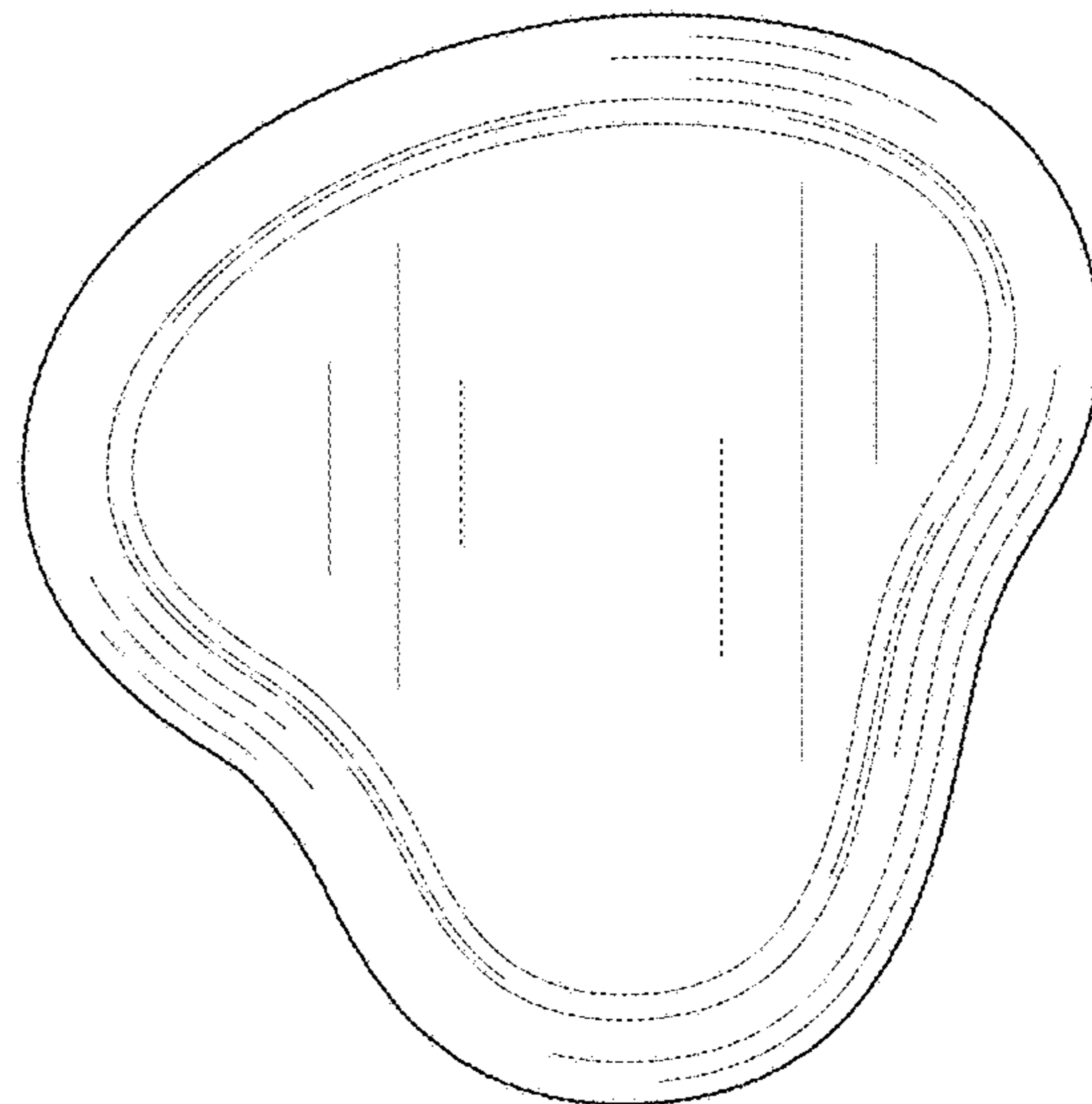
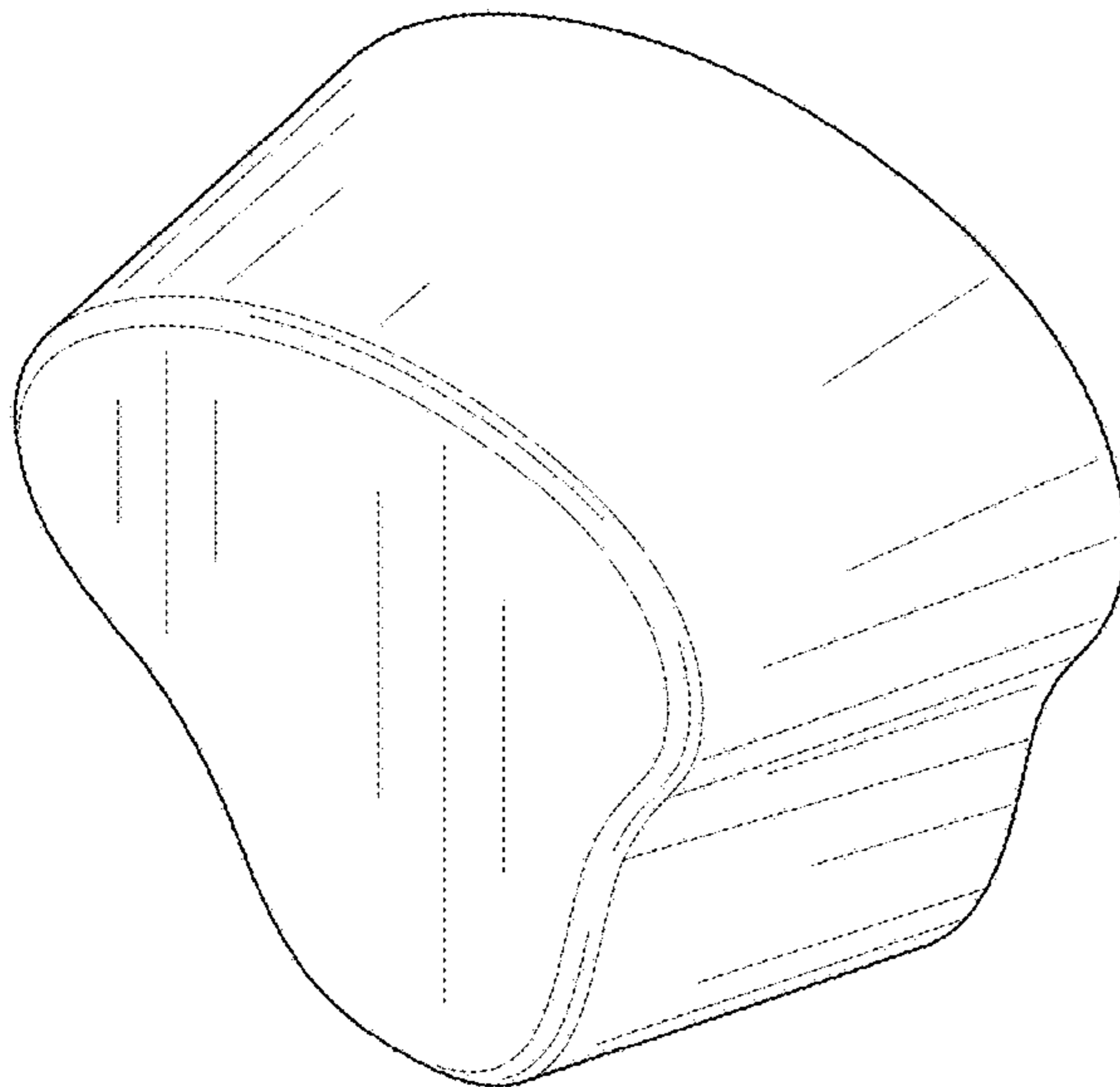
(57) **CLAIM**

The ornamental design for a pet food piece, as shown and described.

DESCRIPTION

FIG. 1 is a front perspective view of a pet food piece;
FIG. 2 is a rear perspective view thereof;
FIG. 3 is a top plan view thereof;
FIG. 4 is a bottom plan view thereof;
FIG. 5 is a right side elevation view thereof;
FIG. 6 is a left side elevation view thereof;
FIG. 7 is a rear elevation view thereof; and,
FIG. 8 is a front elevation view thereof.

1 Claim, 4 Drawing Sheets



(56)

References Cited

U.S. PATENT DOCUMENTS

2004/0033873 A1 * 2/2004 Van Straaten A47C 3/16
482/142

* cited by examiner

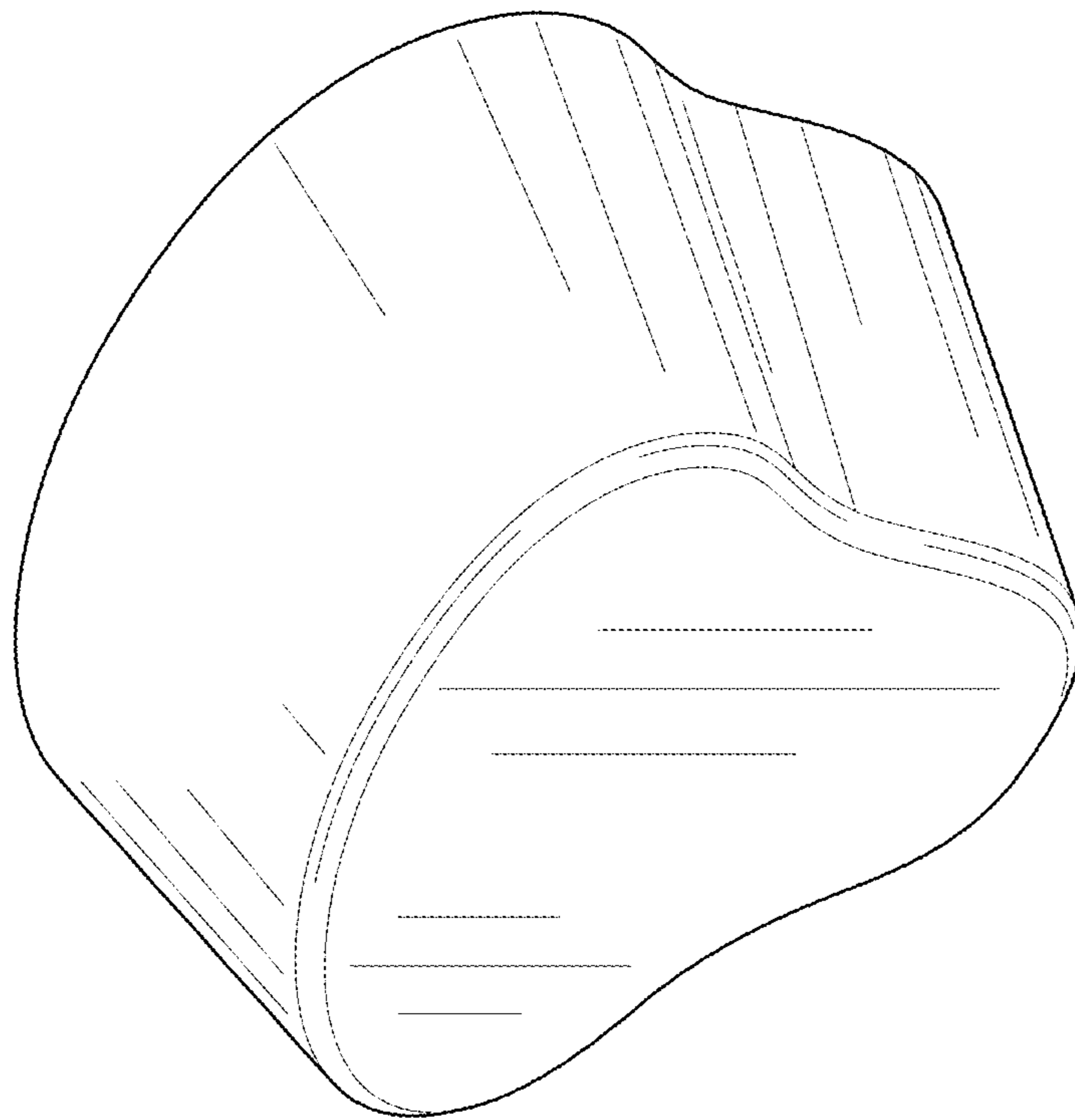


FIG. 1

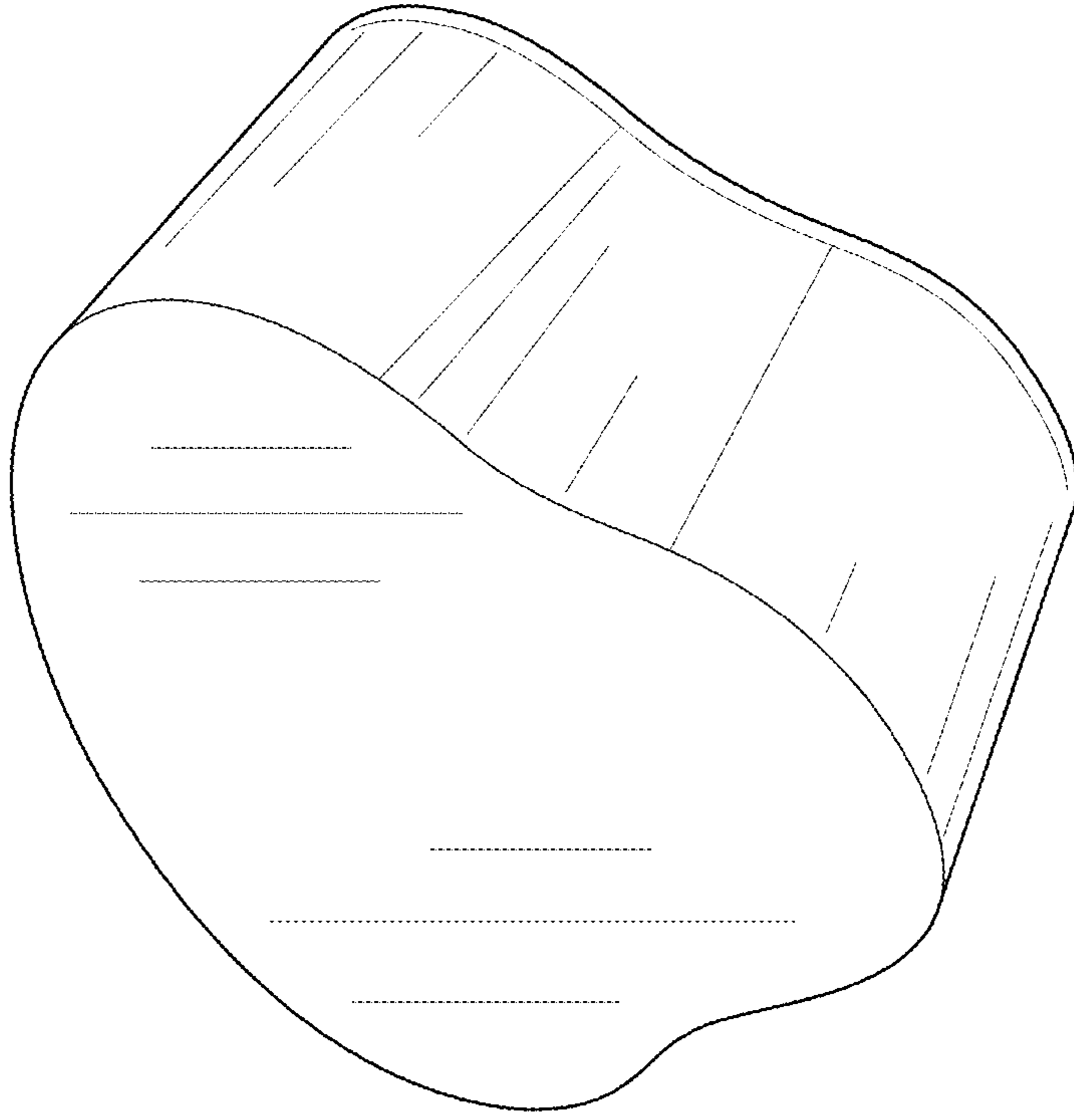


FIG. 2

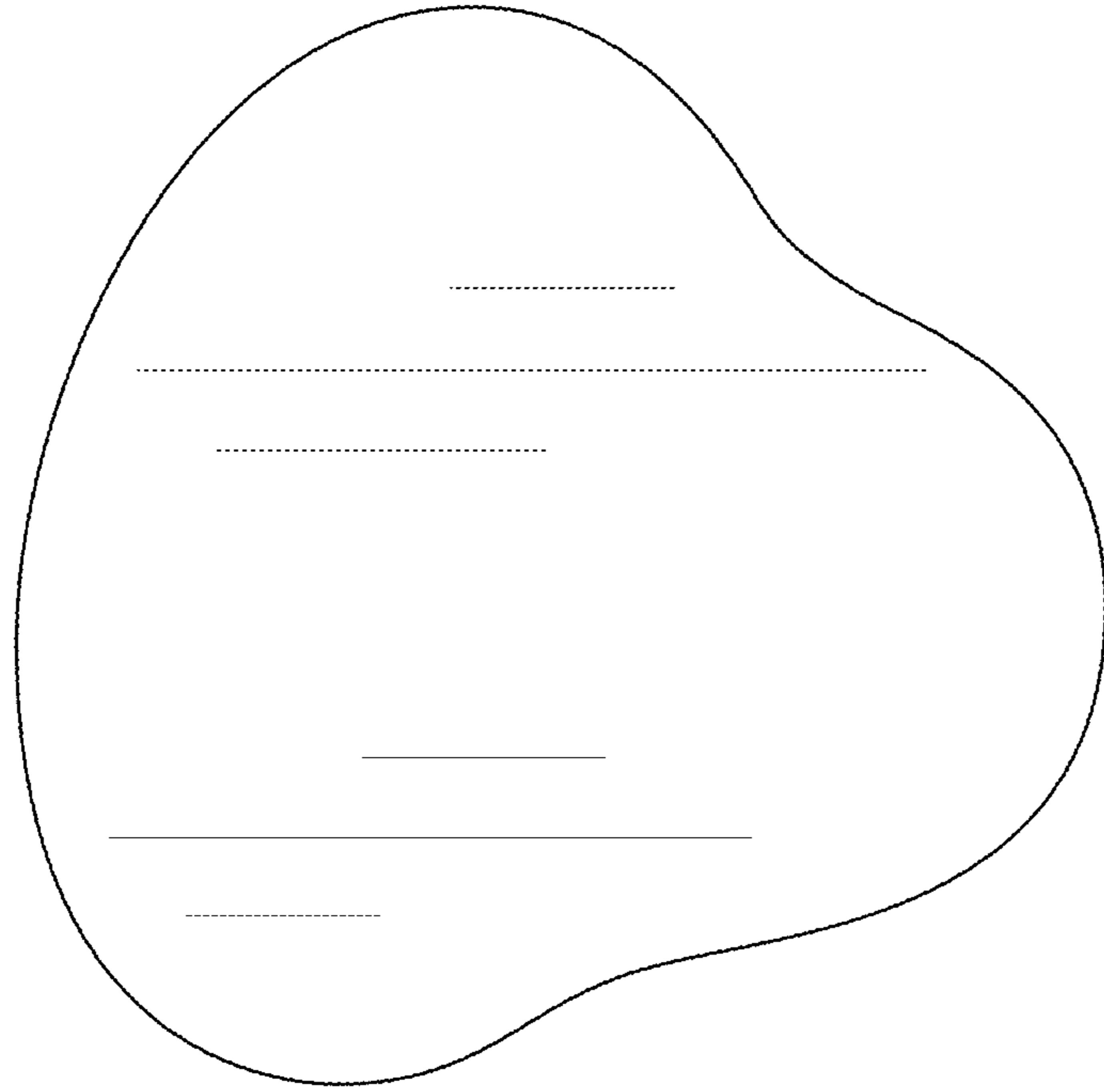


FIG. 4

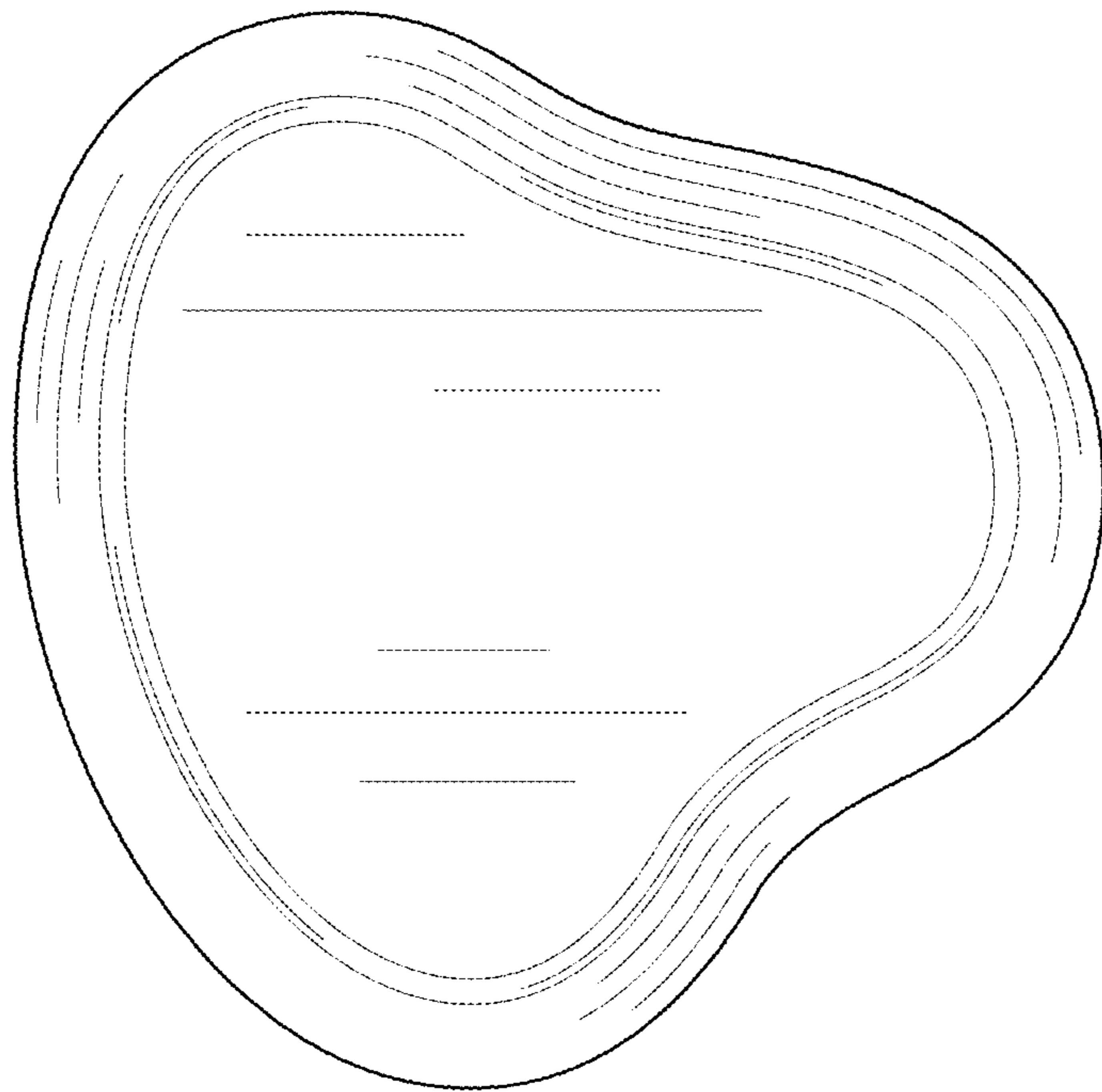


FIG. 3

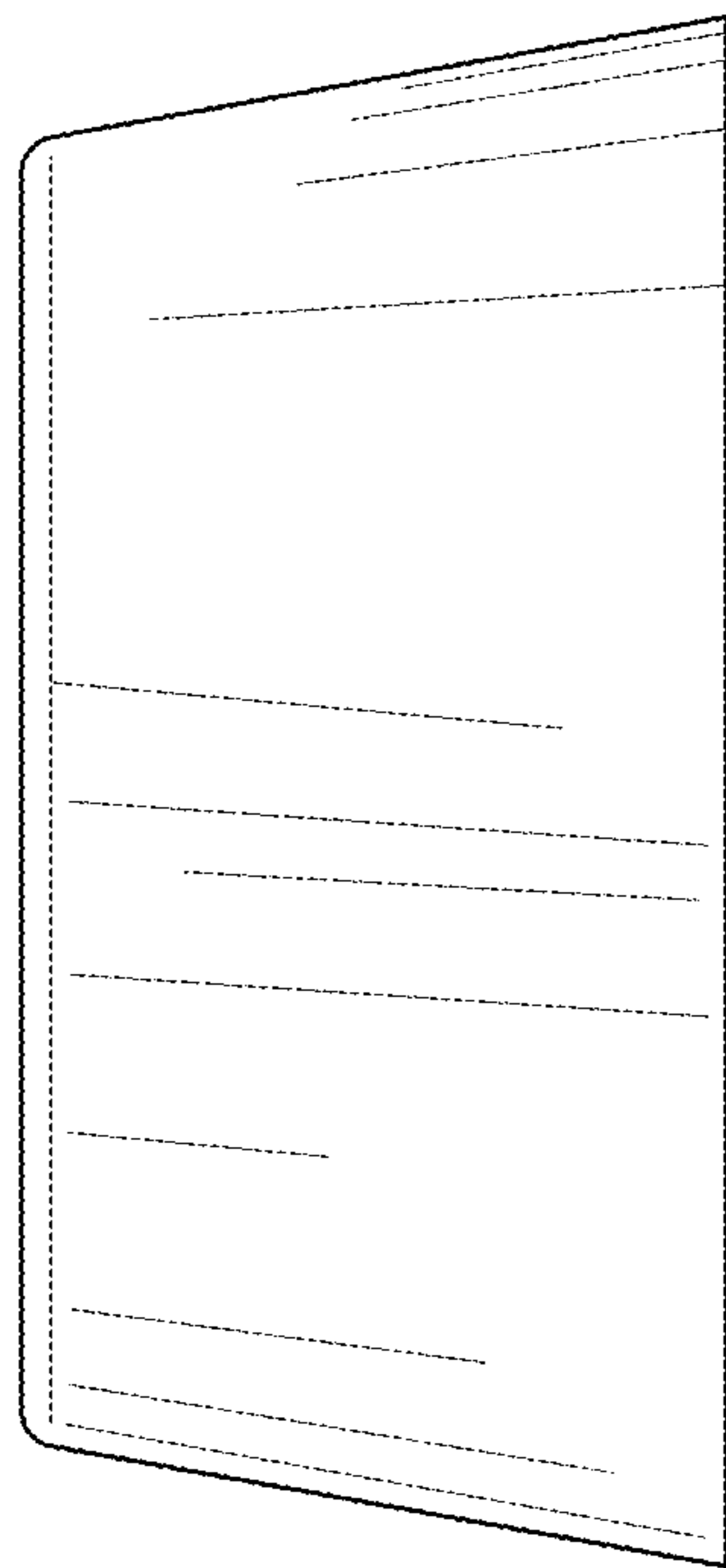


FIG. 5

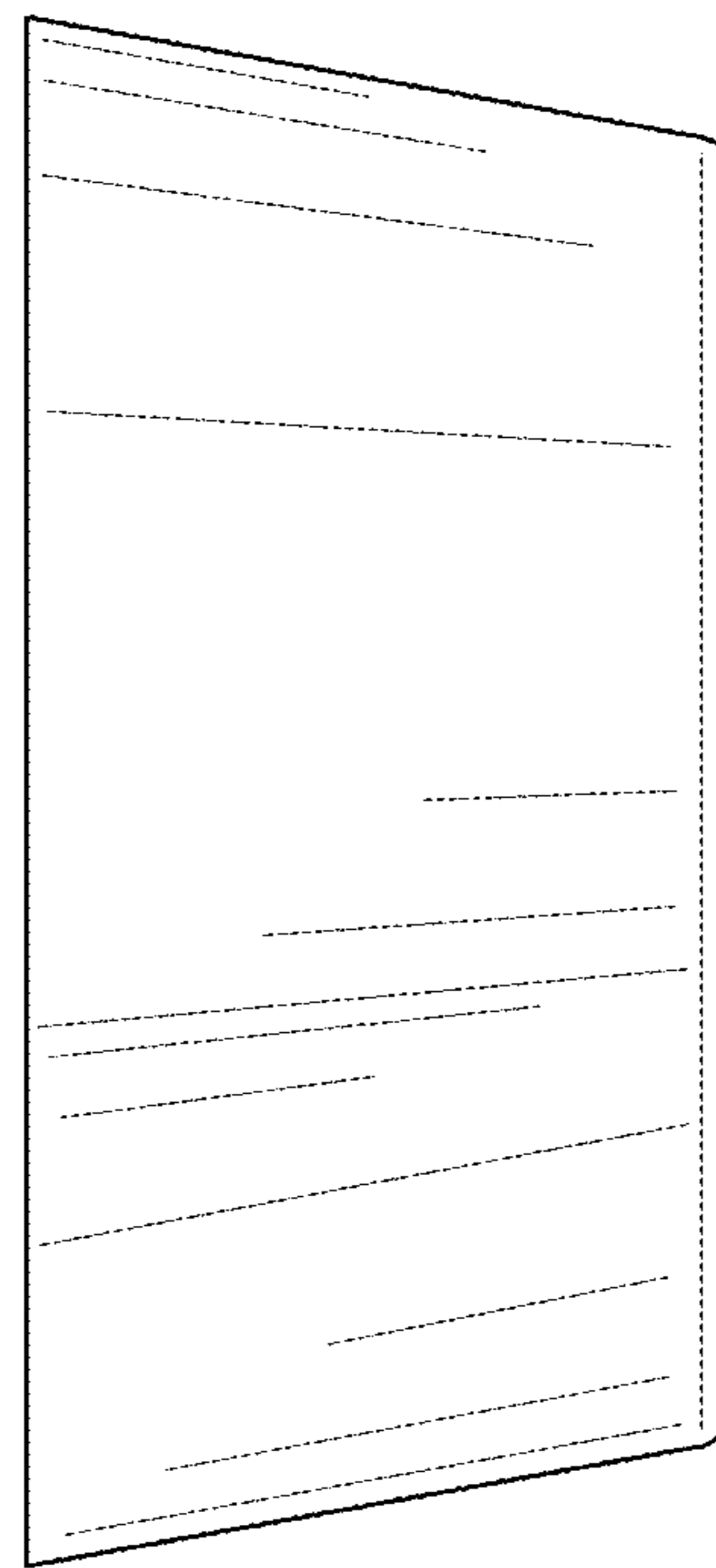


FIG. 6

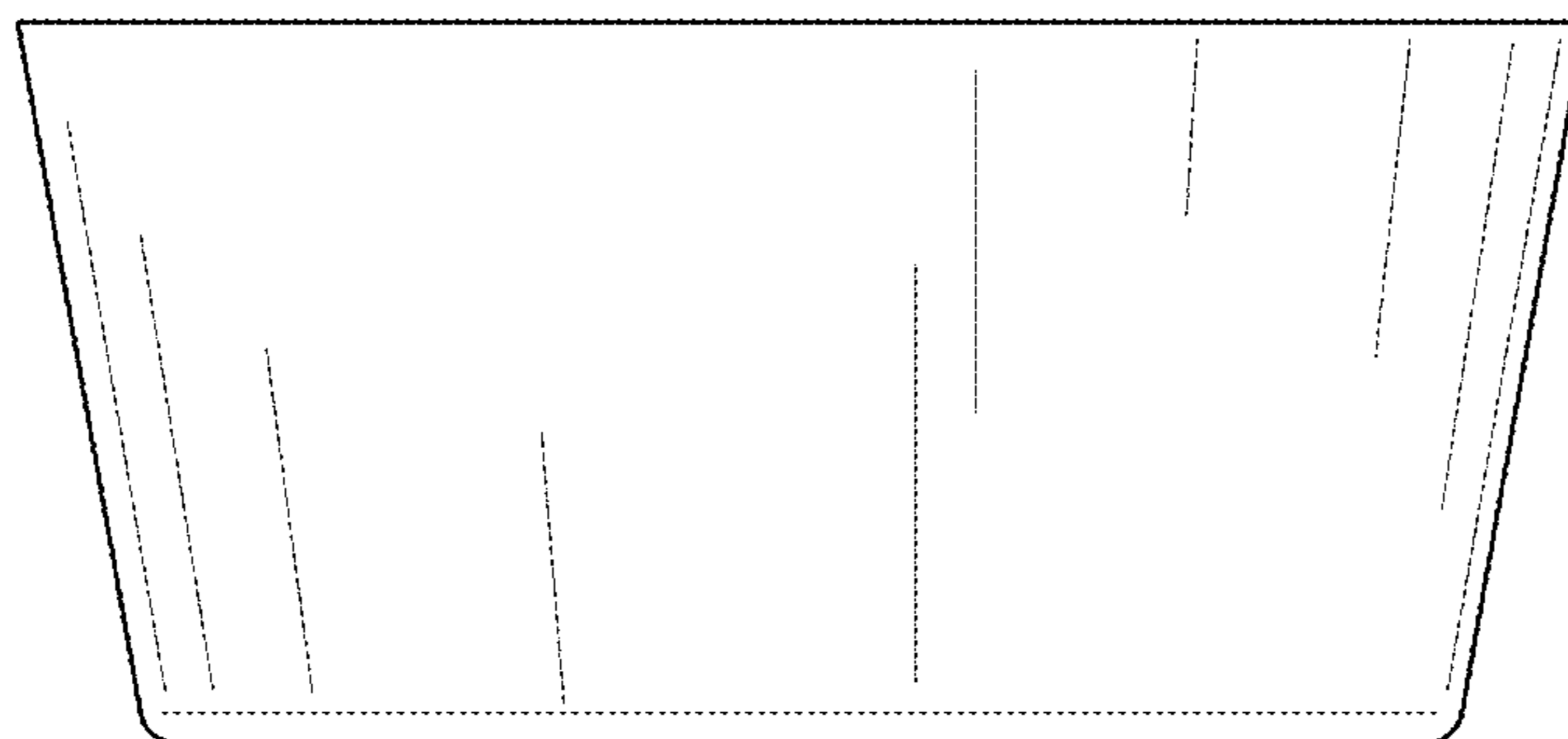


FIG. 7

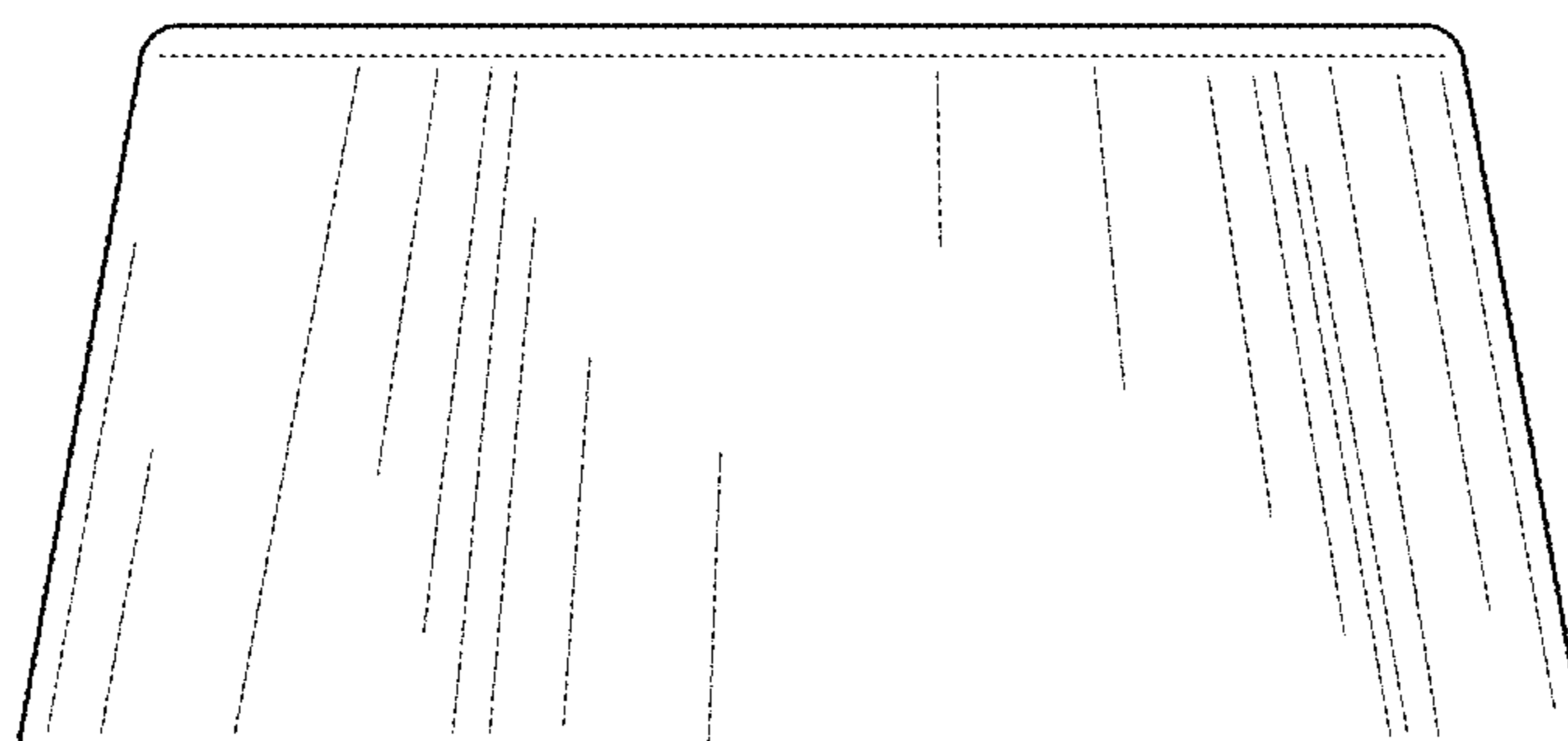


FIG. 8