



US00D782149S

(12) **United States Design Patent** (10) **Patent No.:** **US D782,149 S**  
**Tartal et al.** (45) **Date of Patent:** **\*\* Mar. 21, 2017**

(54) **ITEM COLLECTION RECEPTACLE**

(71) Applicant: **United States Postal Service,**  
Washington, DC (US)

(72) Inventors: **William A. Tartal,** Baltimore, MD  
(US); **Joel L. Dewnandan,**  
Bladensburg, MA (US)

(73) Assignee: **United States Postal Service,**  
Washington, DC (US)

(\*\*) Term: **15 Years**

(21) Appl. No.: **29/555,922**

(22) Filed: **Feb. 25, 2016**

(51) **LOC (10) Cl.** ..... **99-00**

(52) **U.S. Cl.**  
USPC ..... **D99/29**

(58) **Field of Classification Search**  
USPC ..... D99/28, 29, 31, 33, 43, 99; D20/1, 2, 4,  
D20/5, 6

CPC ..... E05B 65/0075; E05G 1/00; E05G 1/005;  
E05G 1/02; E05G 1/026; E05G 2700/00;  
E05G 2700/02; E05G 1/024; G07D  
11/0006; G07D 11/0009; G07D 11/0015;  
G07F 9/06; A47G 29/14; A47G 29/16;  
A47G 29/20; A47G 29/1203; A47G  
29/12; A47G 29/1201; A47G 29/1209;  
A45C 1/12; G07C 13/02

See application file for complete search history.

(56) **References Cited**

**U.S. PATENT DOCUMENTS**

D226,088 S \* 1/1973 Anderson et al. .... D99/28  
D279,724 S \* 7/1985 Stacy ..... D6/671

D354,827 S \* 1/1995 Filipak ..... D99/29  
D371,883 S \* 7/1996 Burt ..... D99/29  
D374,461 S \* 10/1996 Greenlee ..... D20/10  
D405,833 S \* 2/1999 Mussett ..... D20/1  
D510,170 S \* 9/2005 Nelson, Jr. .... D99/28  
D512,804 S \* 12/2005 Wilson ..... D99/29  
D569,074 S \* 5/2008 Irwin ..... D99/29  
D575,474 S \* 8/2008 Williams ..... D99/29  
7,428,980 B2 \* 9/2008 Irwin ..... E05G 7/001  
232/45  
D593,275 S \* 5/2009 Williams ..... D99/29  
D726,990 S \* 4/2015 Aziz ..... D99/29  
D740,515 S \* 10/2015 Aziz ..... D99/29  
2008/0067227 A1 \* 3/2008 Poss ..... A47G 29/22  
232/17

\* cited by examiner

*Primary Examiner* — Elizabeth J Oswecki

(74) *Attorney, Agent, or Firm* — Knobbe Martens Olson  
& Bear LLP

(57) **CLAIM**

The ornamental design for an item collection receptacle, as shown and described.

**DESCRIPTION**

FIG. 1 is a perspective view of an item collection receptacle showing our new design;

FIG. 2 is a front view thereof;

FIG. 3 is a back view thereof;

FIG. 4 is a top view thereof;

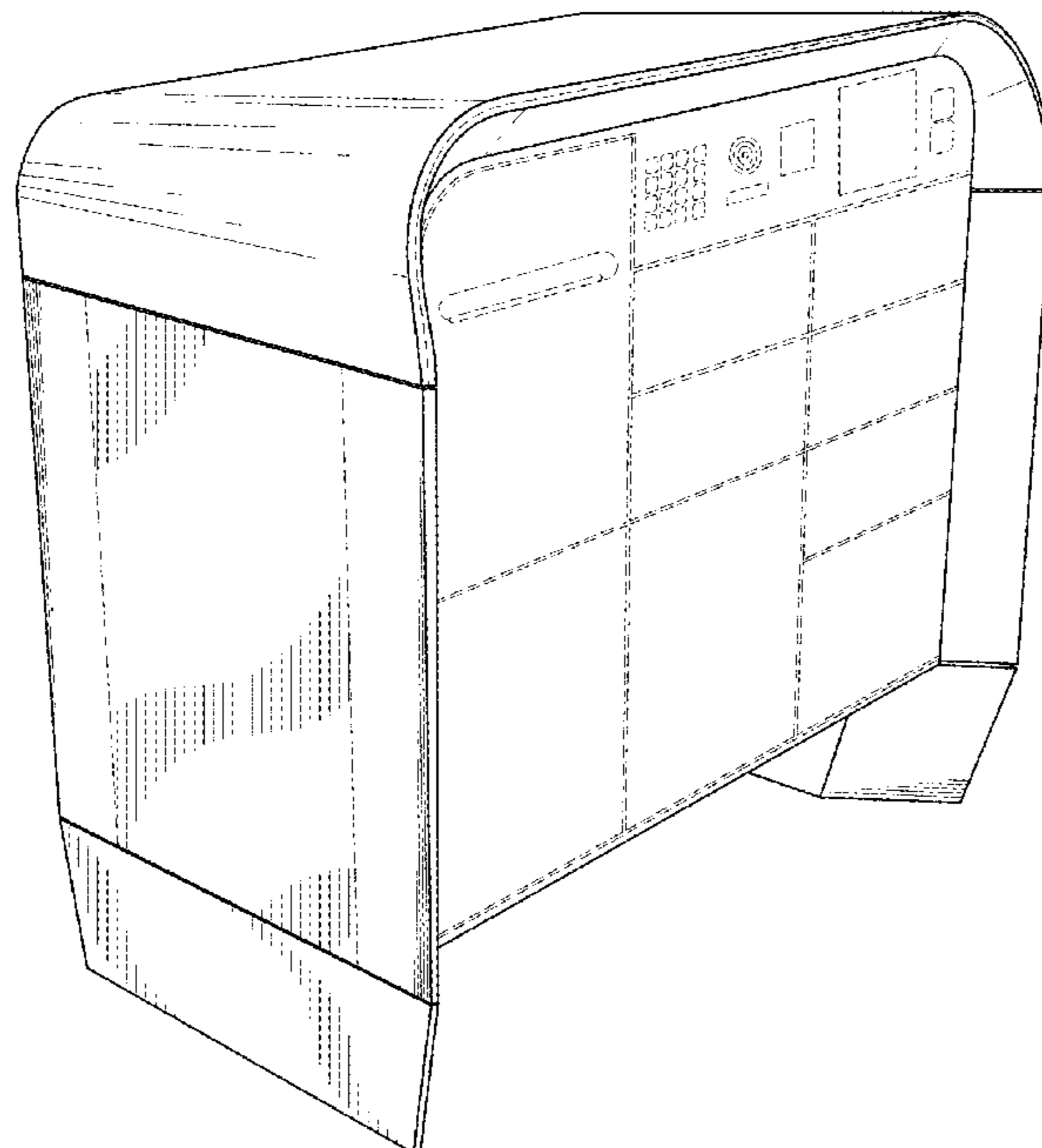
FIG. 5 is a bottom view thereof;

FIG. 6 is a left side view thereof; and,

FIG. 7 is a right side view thereof.

Broken lines are used to illustrate features which form no part of the claimed design.

**1 Claim, 5 Drawing Sheets**



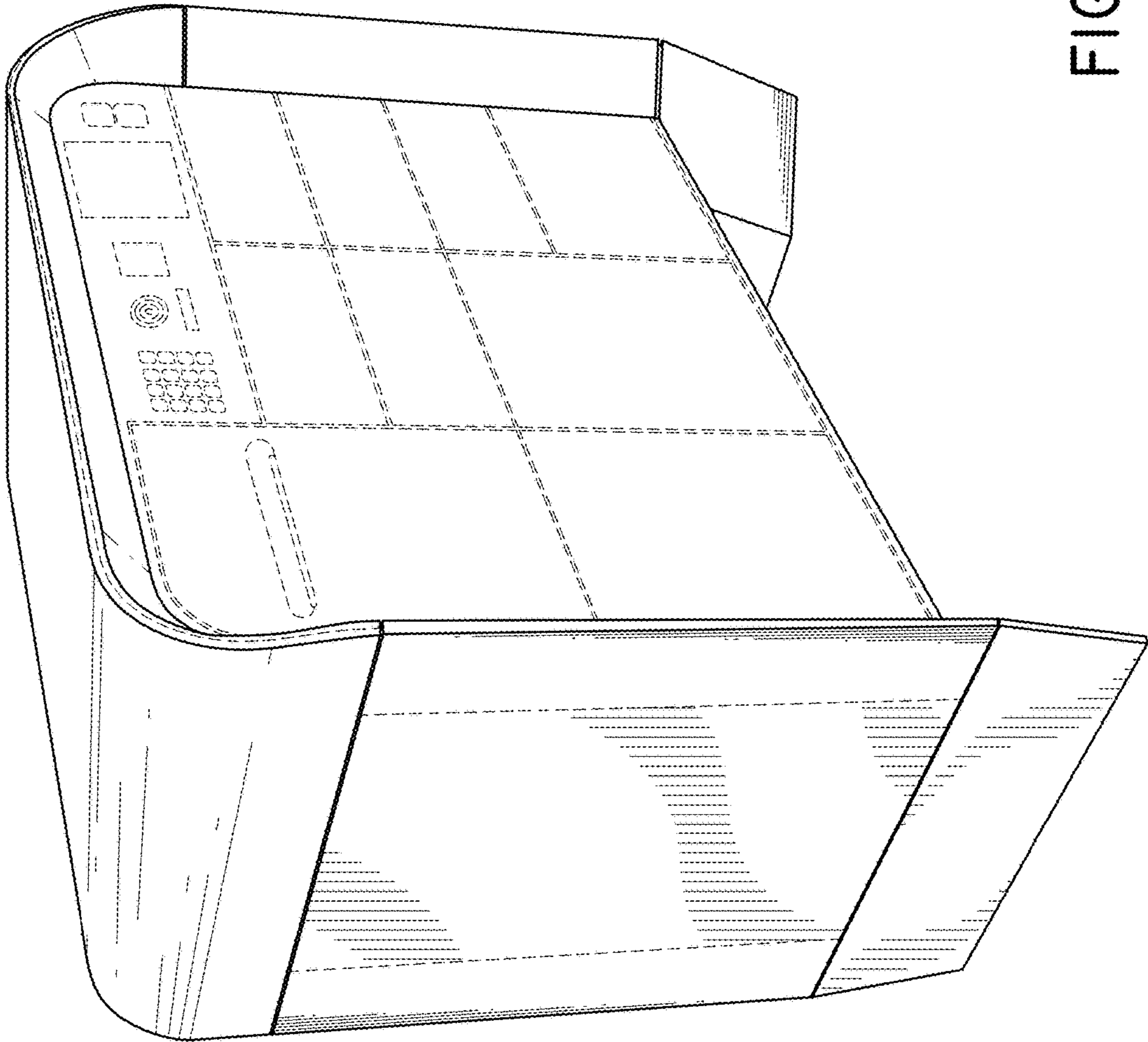


FIG. 1

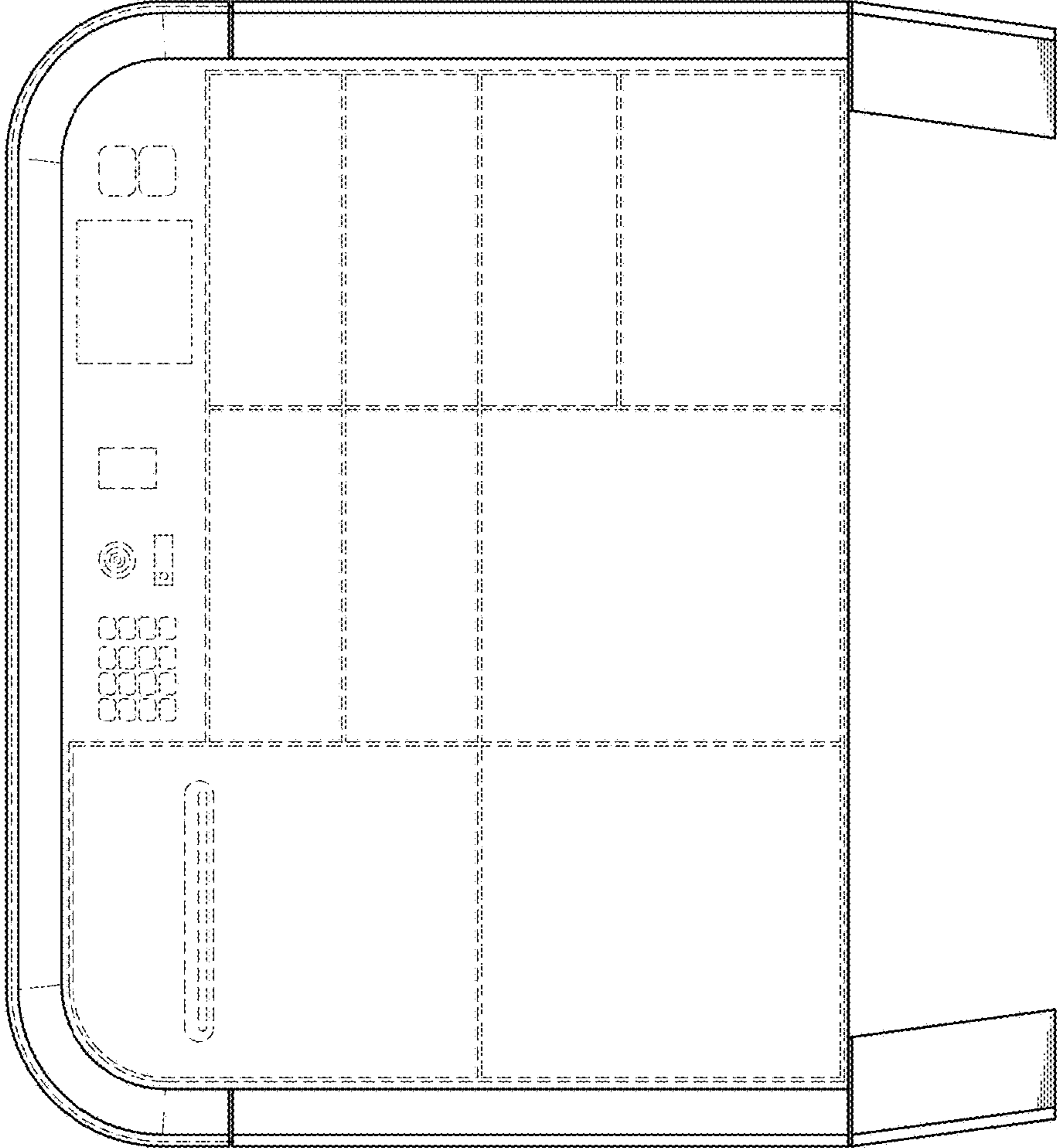


FIG. 2

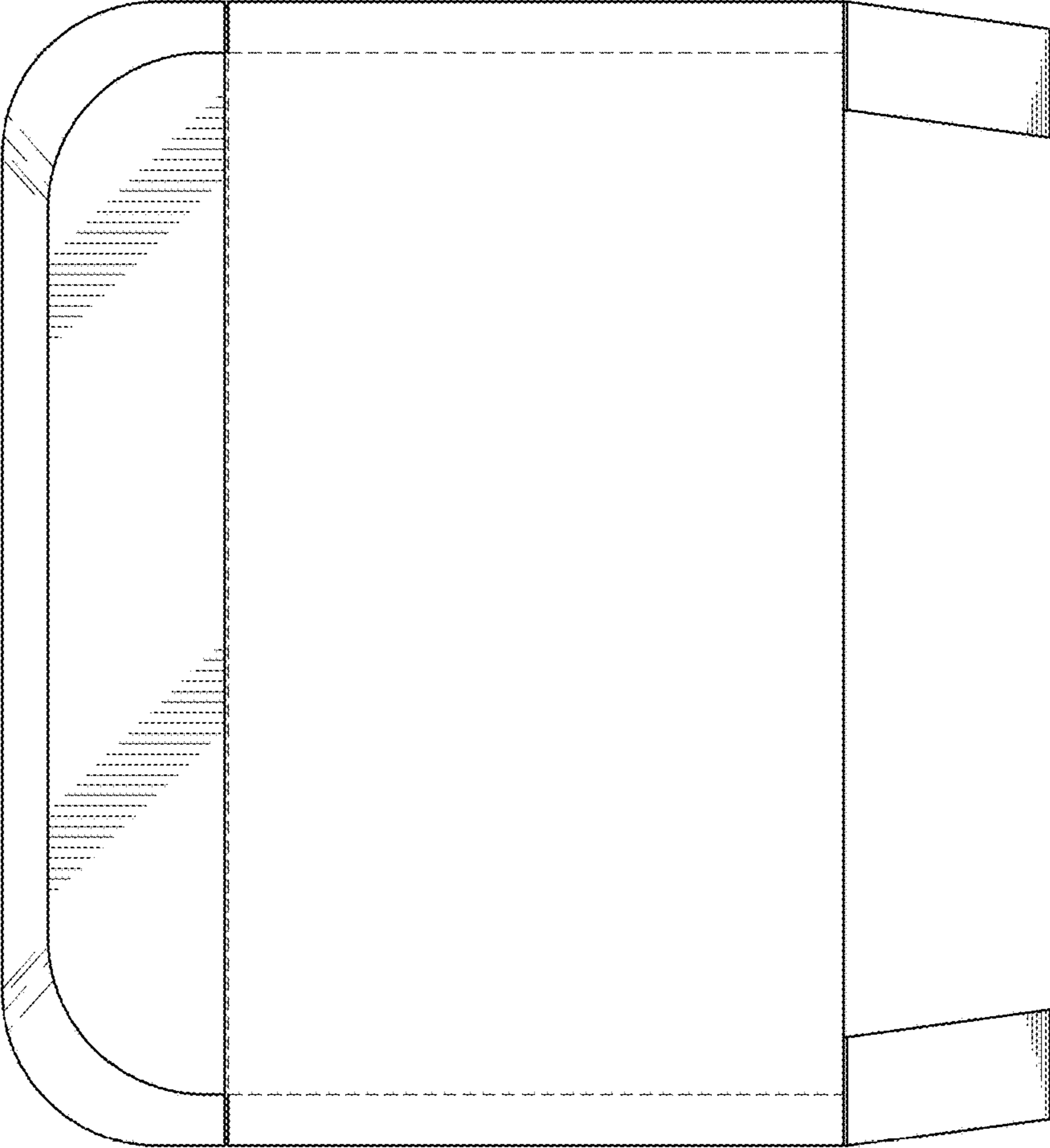


FIG. 3

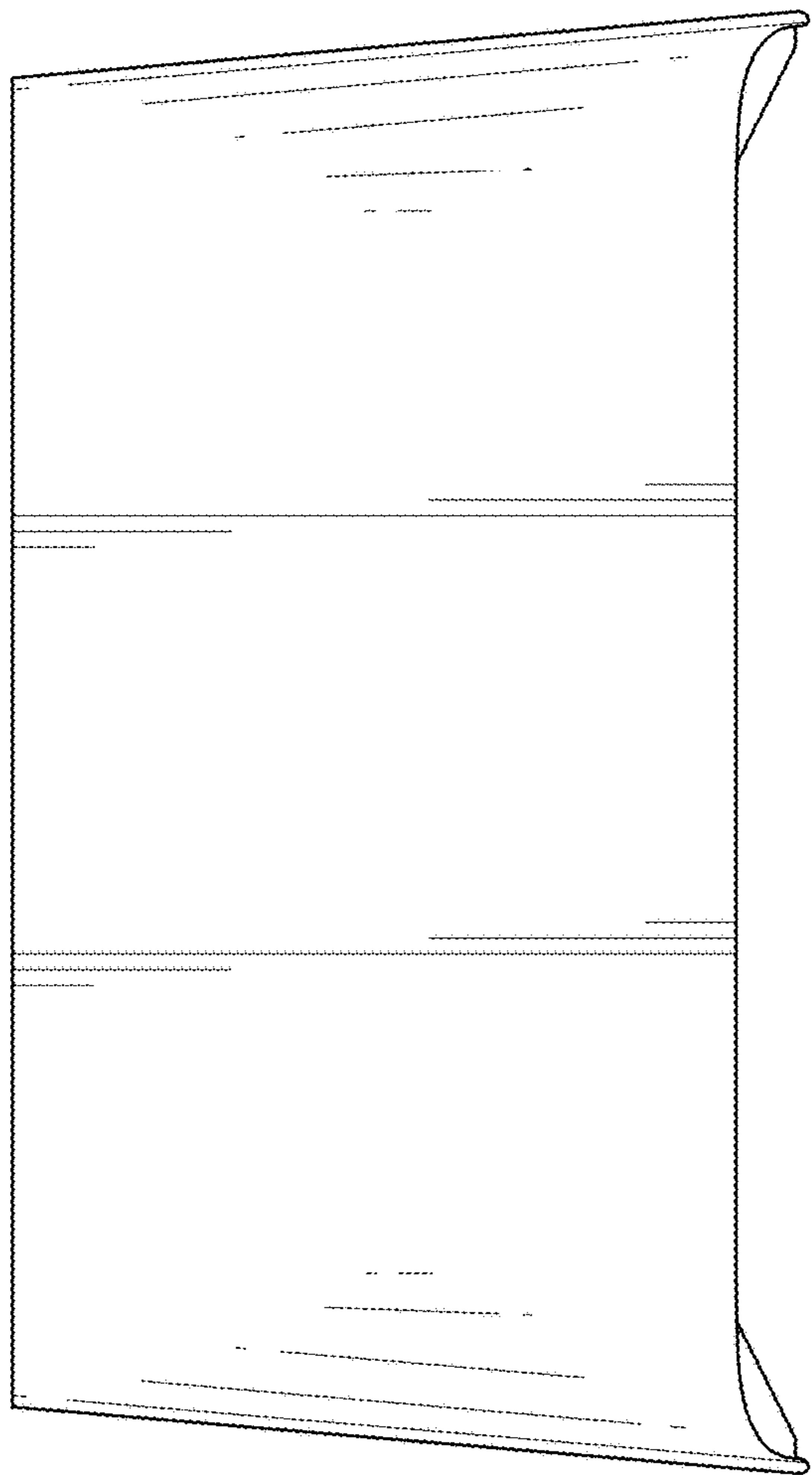
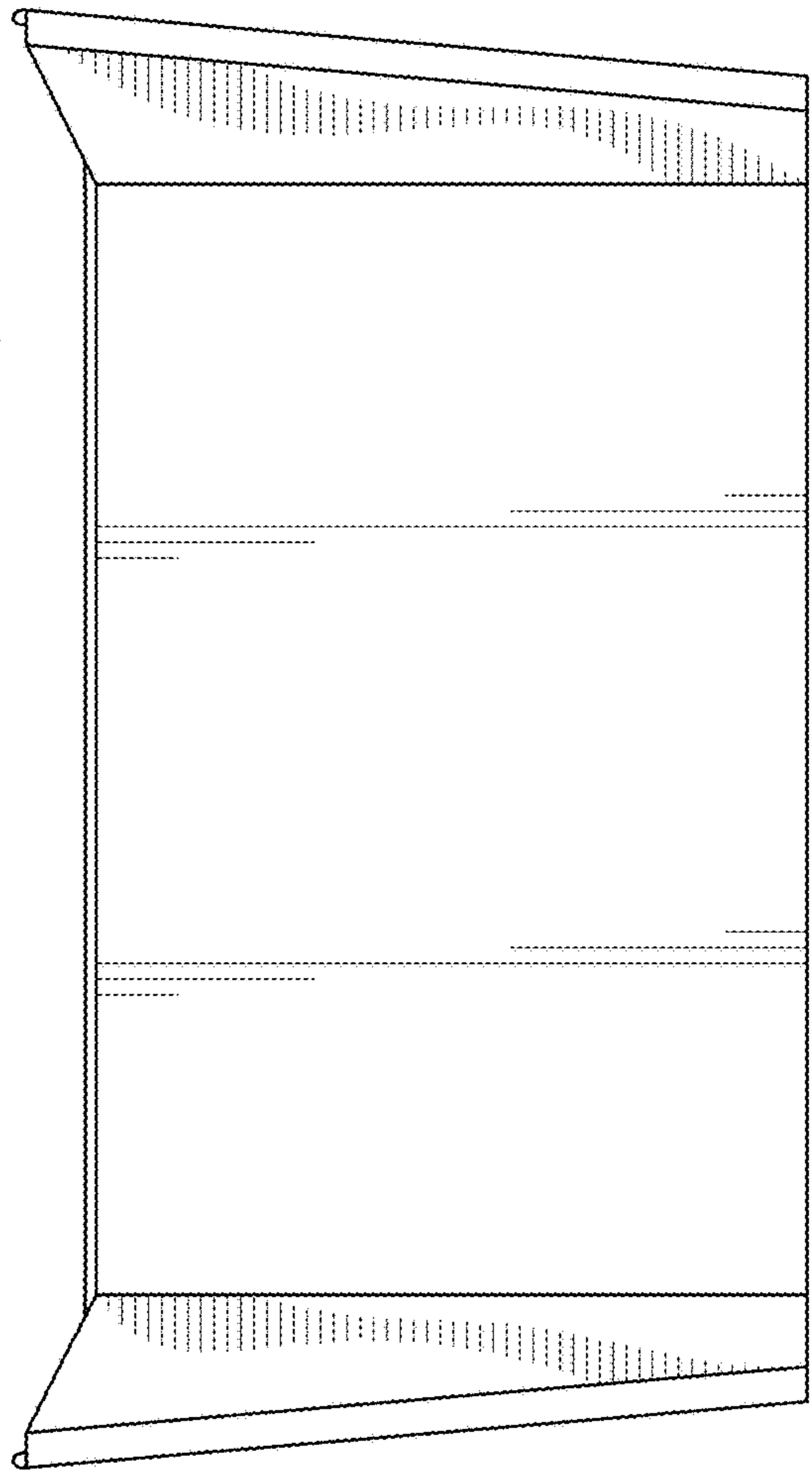


FIG. 4

FIG. 5



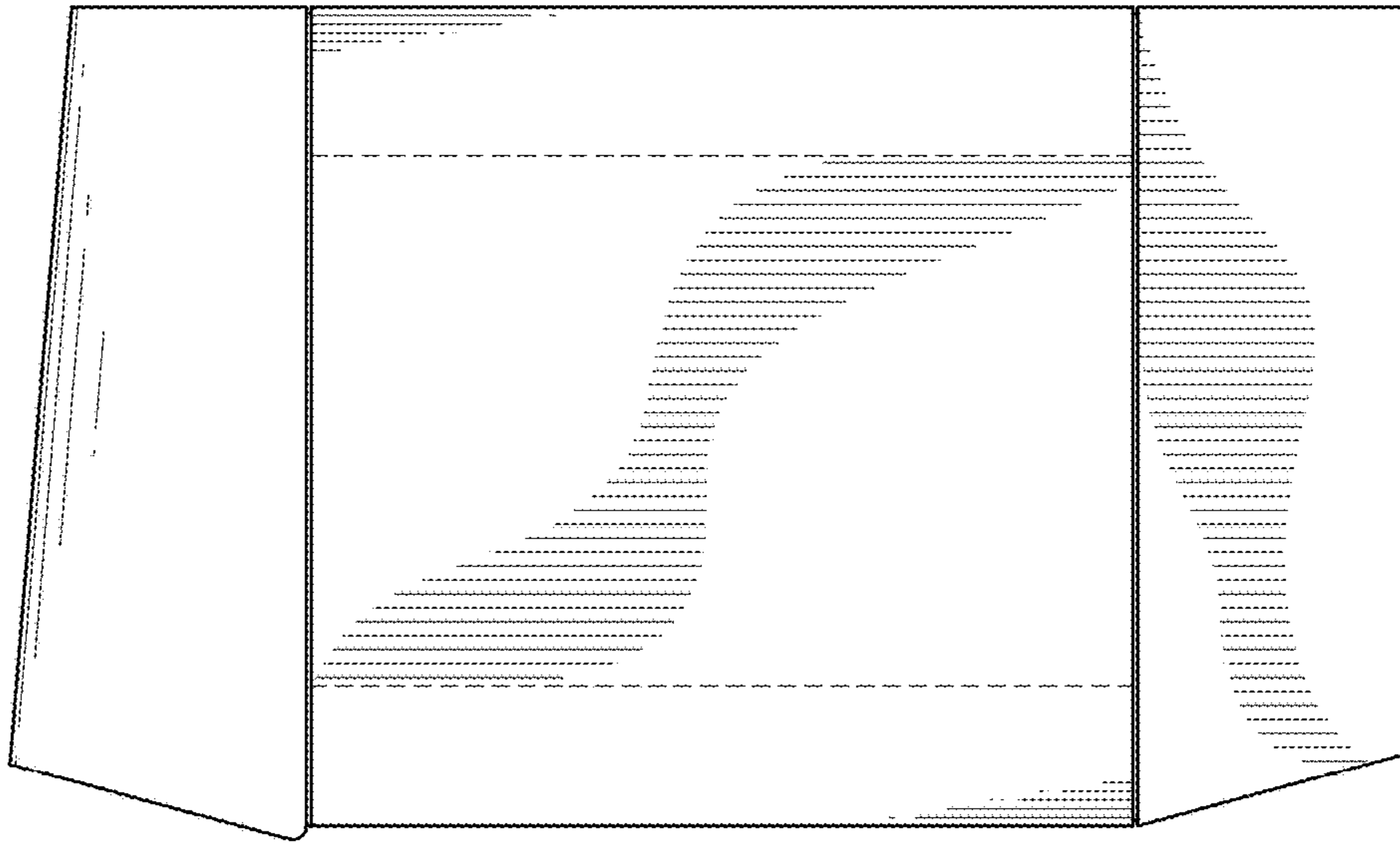


FIG. 7

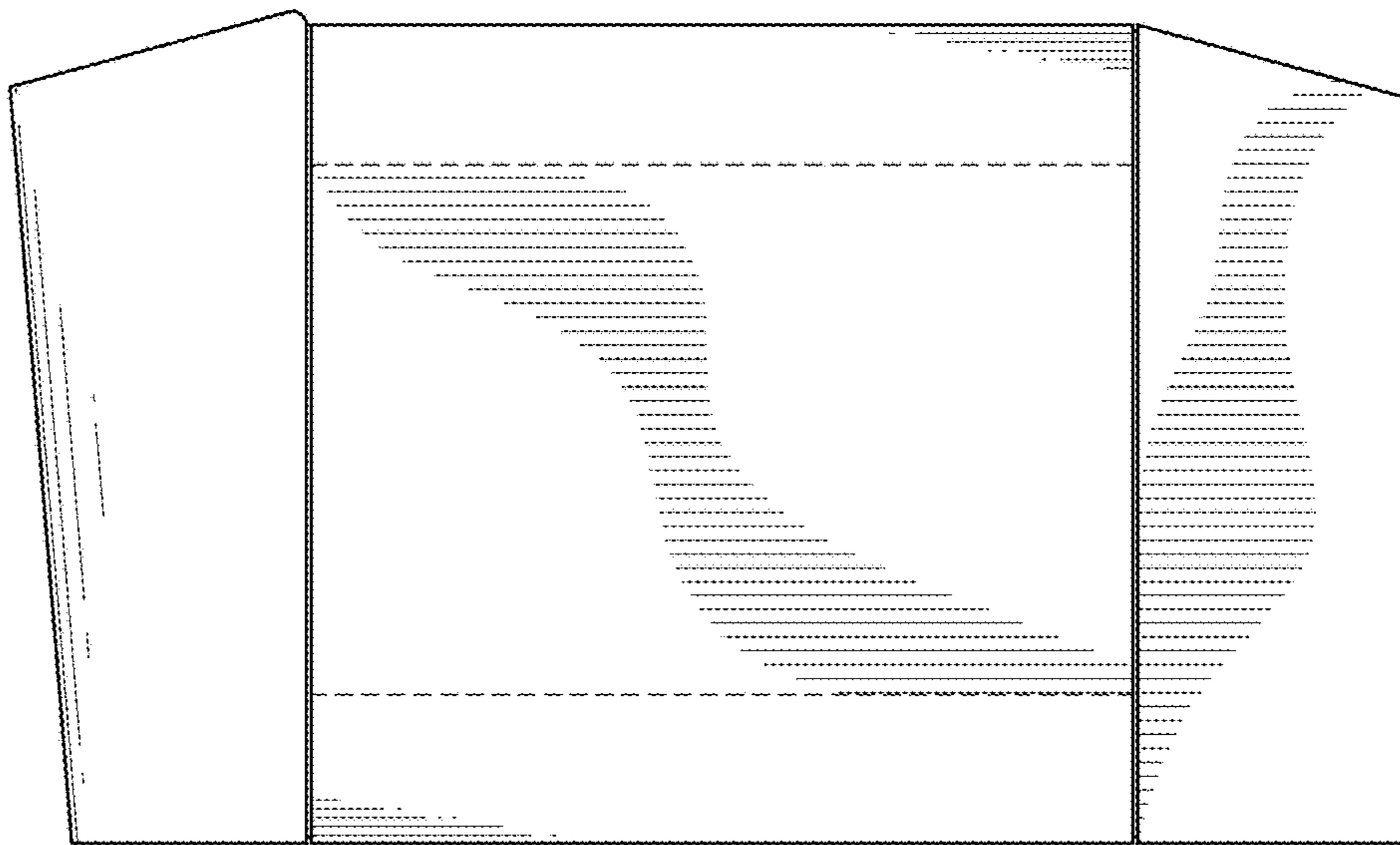


FIG. 6