



US00D782148S

(12) **United States Design Patent**
Rohan et al.

(10) **Patent No.:** **US D782,148 S**
(45) **Date of Patent:** **** Mar. 21, 2017**

- (54) **SELF-SERVICE TERMINAL**
- (71) Applicant: **NCR Corporation**, Duluth, GA (US)
- (72) Inventors: **Charles G. V. Rohan**, Scotland (GB);
Steven J. Birnie, Dundee (GB);
Marshall Munro, Scotland (GB)
- (73) Assignee: **NCR Corporation**, Duluth, GA (US)
- (**) Term: **15 Years**
- (21) Appl. No.: **29/552,648**
- (22) Filed: **Jan. 25, 2016**
- (51) **LOC (10) Cl.** **99-00**
- (52) **U.S. Cl.**
USPC **D99/28**
- (58) **Field of Classification Search**
USPC D99/28, 34, 35, 36, 43, 99;
D14/300-302, 305, 307, 900-902;
D18/3.1-3.3, 4.1-4.6, 12.1-12.3;
D21/324, 325, 329, 369, 370
CPC ... G07B 1/00; G07B 1/02; G07B 1/04; G07B
1/06; G07B 1/08; G07B 3/00; G07B
3/02; G07B 3/04; G07B 5/00; E05B
65/0075; E05G 1/00; E05G 1/005; E05G
1/02; E05G 1/024; E05G 5/00; E05G
5/003; E05G 5/006; E05G 5/02; E05G
7/00; E05G 7/001; E05G 2700/00; E05G
2700/02; G07F 19/00; G07F 19/20; G07F
19/201; G07F 19/202; G07F 19/203;
G07F 19/204; G07F 19/205; G07D 11/00;
G07D 11/0021; G07D 2201/00
See application file for complete search history.

(56) **References Cited**

U.S. PATENT DOCUMENTS

- 4,398,088 A * 8/1983 Hirose G07F 19/20
209/534
- D279,577 S * 7/1985 Kajita D18/3.3

- 4,694,963 A * 9/1987 Takesako G07D 11/0048
209/534
- D295,109 S * 4/1988 Nishida D18/3.3
- D318,553 S * 7/1991 Brown D99/28
- D445,124 S * 7/2001 Naito D18/3.3
- D454,421 S * 3/2002 Jeon D18/3.3
- D574,417 S * 8/2008 Gaze D14/308
- D574,418 S * 8/2008 Gaze D14/308
- D574,419 S * 8/2008 Gaze D14/308
- D574,420 S * 8/2008 Gaze D14/308
- D574,421 S * 8/2008 Gaze D14/308
- D574,422 S * 8/2008 Gaze D14/308
- D579,481 S * 10/2008 Gaze D14/308
- D579,482 S * 10/2008 Gaze D14/308
- D618,875 S * 6/2010 Tougo D18/3.3
- D669,525 S * 10/2012 Bleck D18/3.3
- D671,164 S * 11/2012 Bleck D18/3.3
- D725,865 S * 3/2015 Cho D99/28

(Continued)

Primary Examiner — Elizabeth J Oswecki

(74) *Attorney, Agent, or Firm* — Paul W. Martin

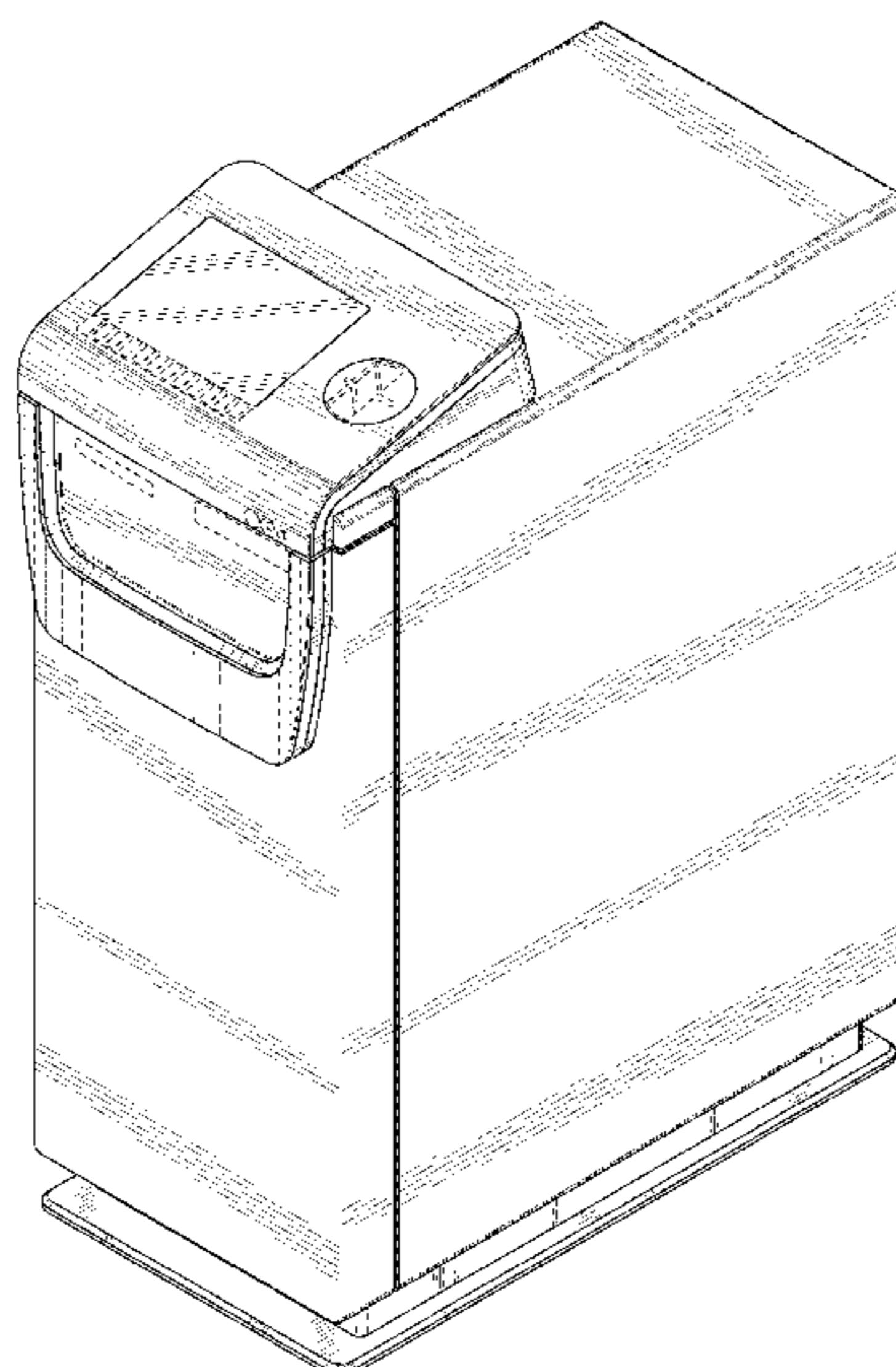
(57) **CLAIM**

The ornamental design for a self-service terminal, as shown and described.

DESCRIPTION

FIG. 1 is a perspective view of a self service terminal showing our new design;
 FIG. 2 is a right side view thereof;
 FIG. 3 is a left side view thereof;
 FIG. 4 is a front view thereof;
 FIG. 5 is a rear view thereof;
 FIG. 6 is a top view thereof; and,
 FIG. 7 is a bottom view thereof.
 The broken lines shown in the drawings represent portions of the self service terminal that form no part of the claimed design.

1 Claim, 6 Drawing Sheets



(56)

References Cited

U.S. PATENT DOCUMENTS

D766,540 S * 9/2016 Lee D99/28

* cited by examiner

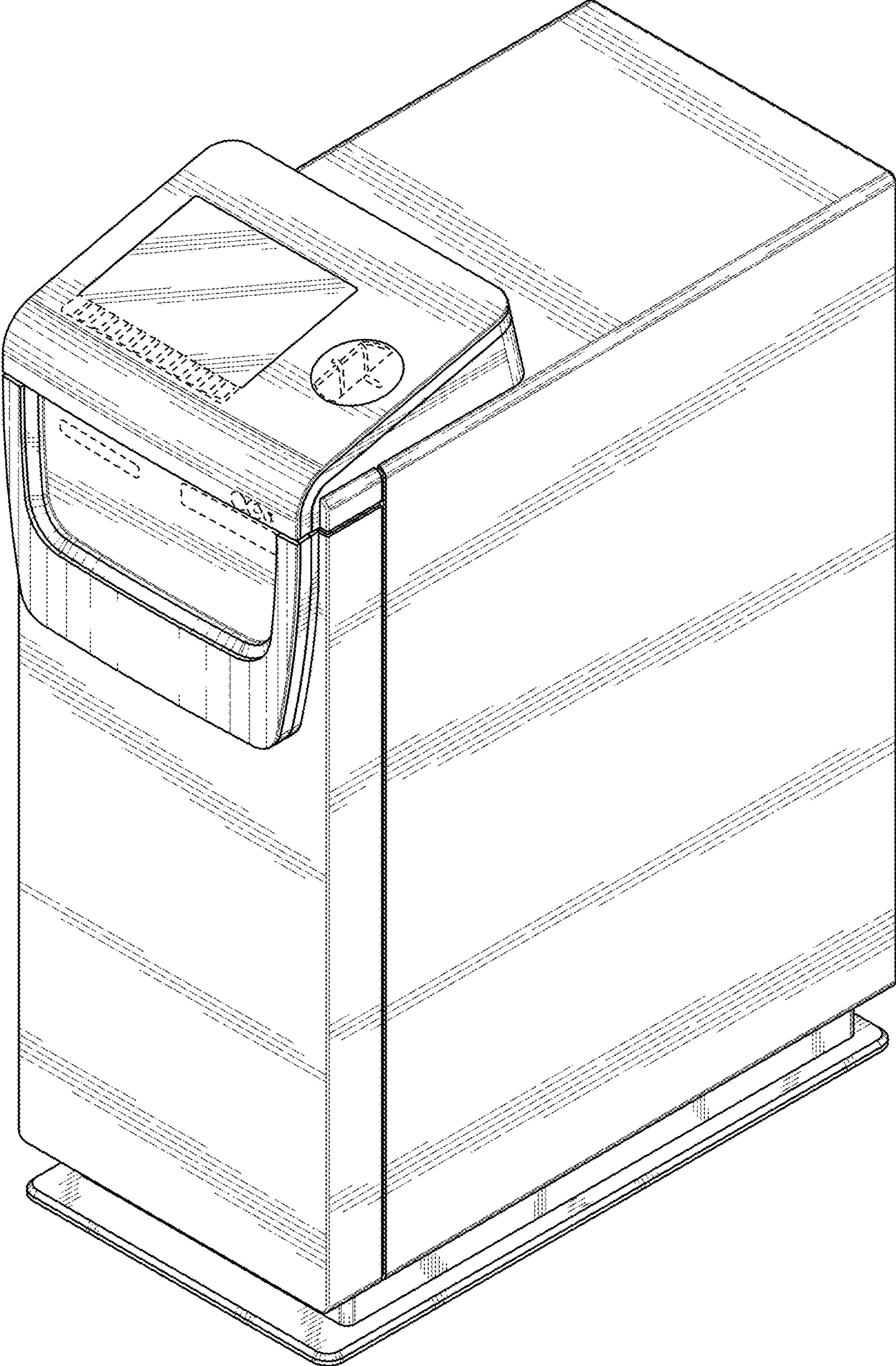


FIG. 1

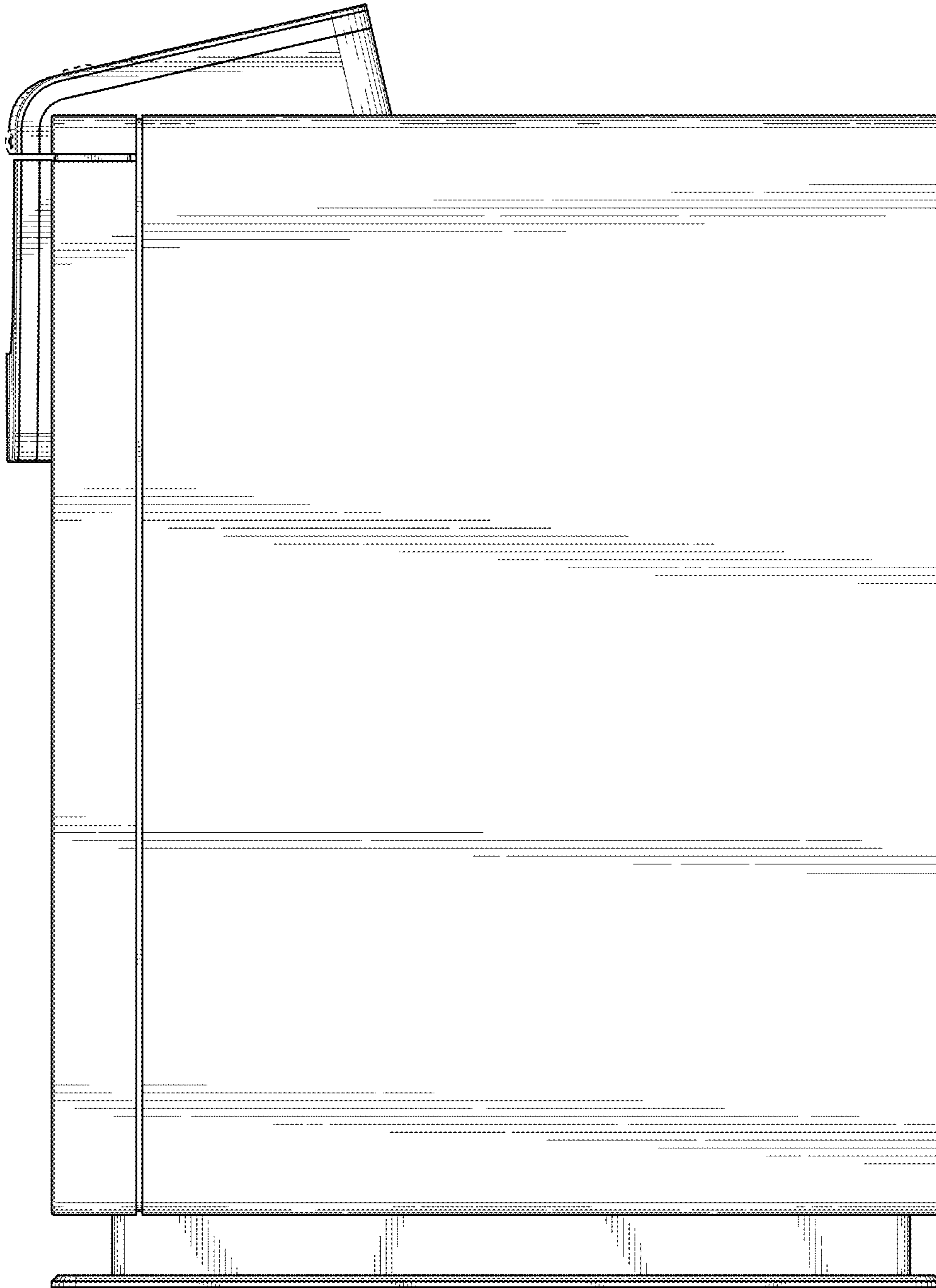


FIG. 2

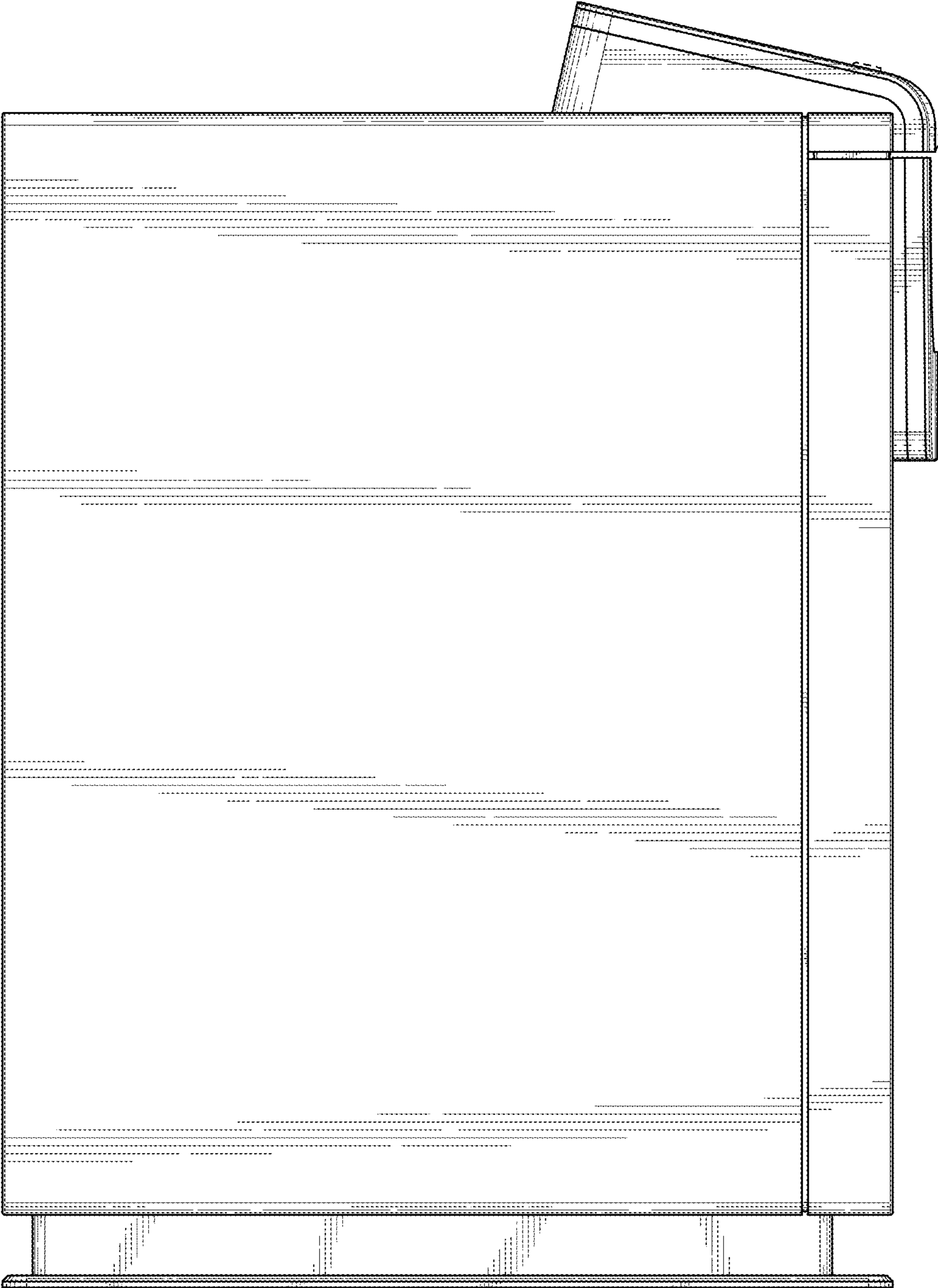


FIG. 3

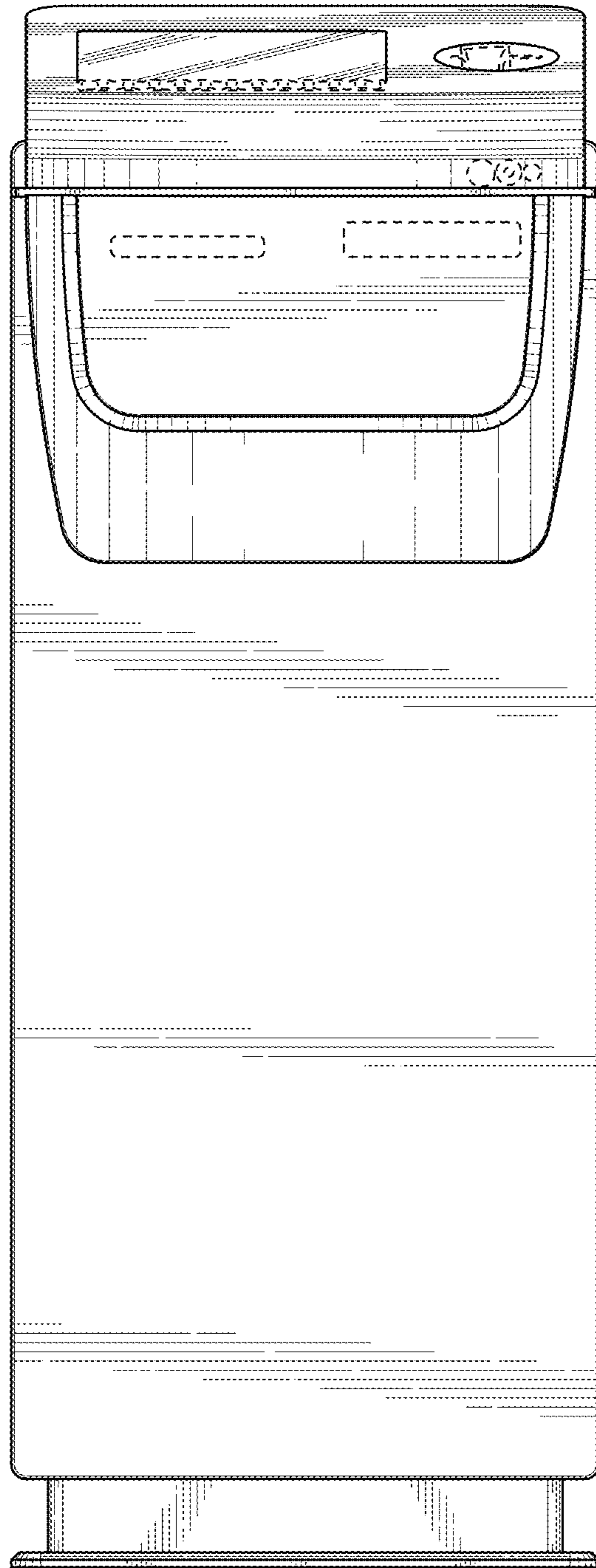


FIG. 4

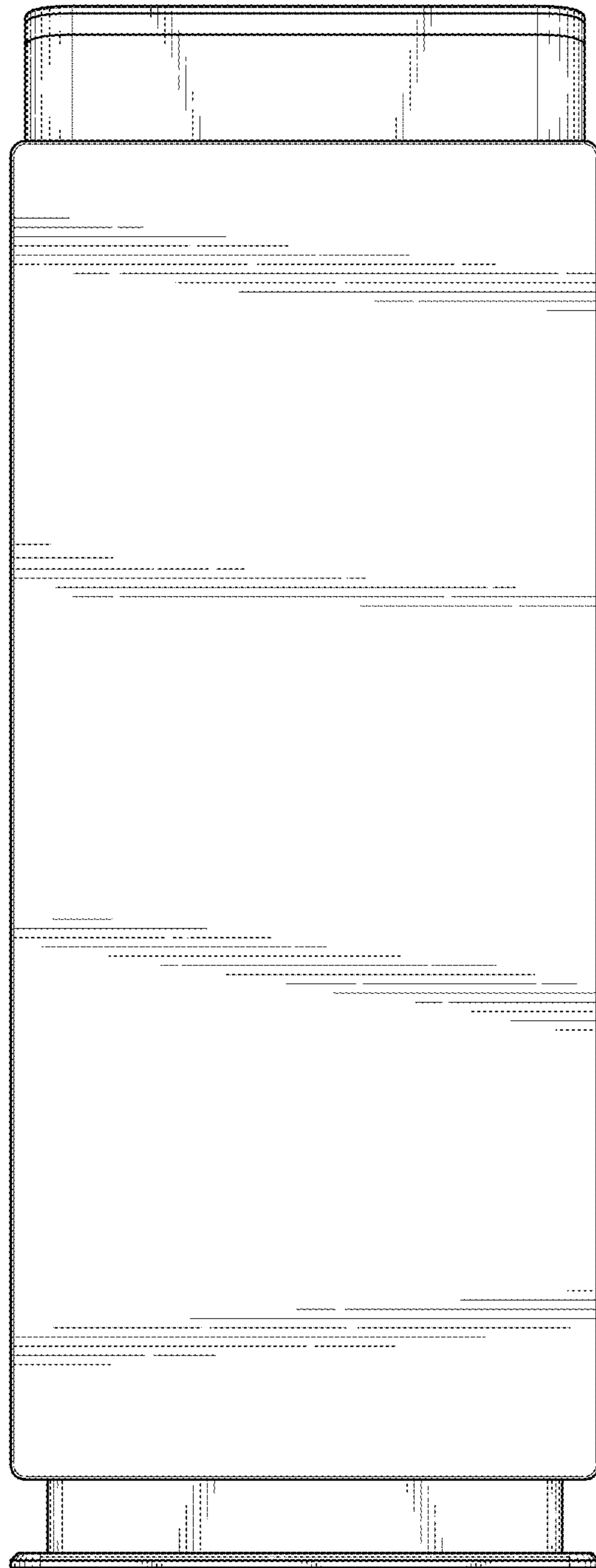


FIG. 5

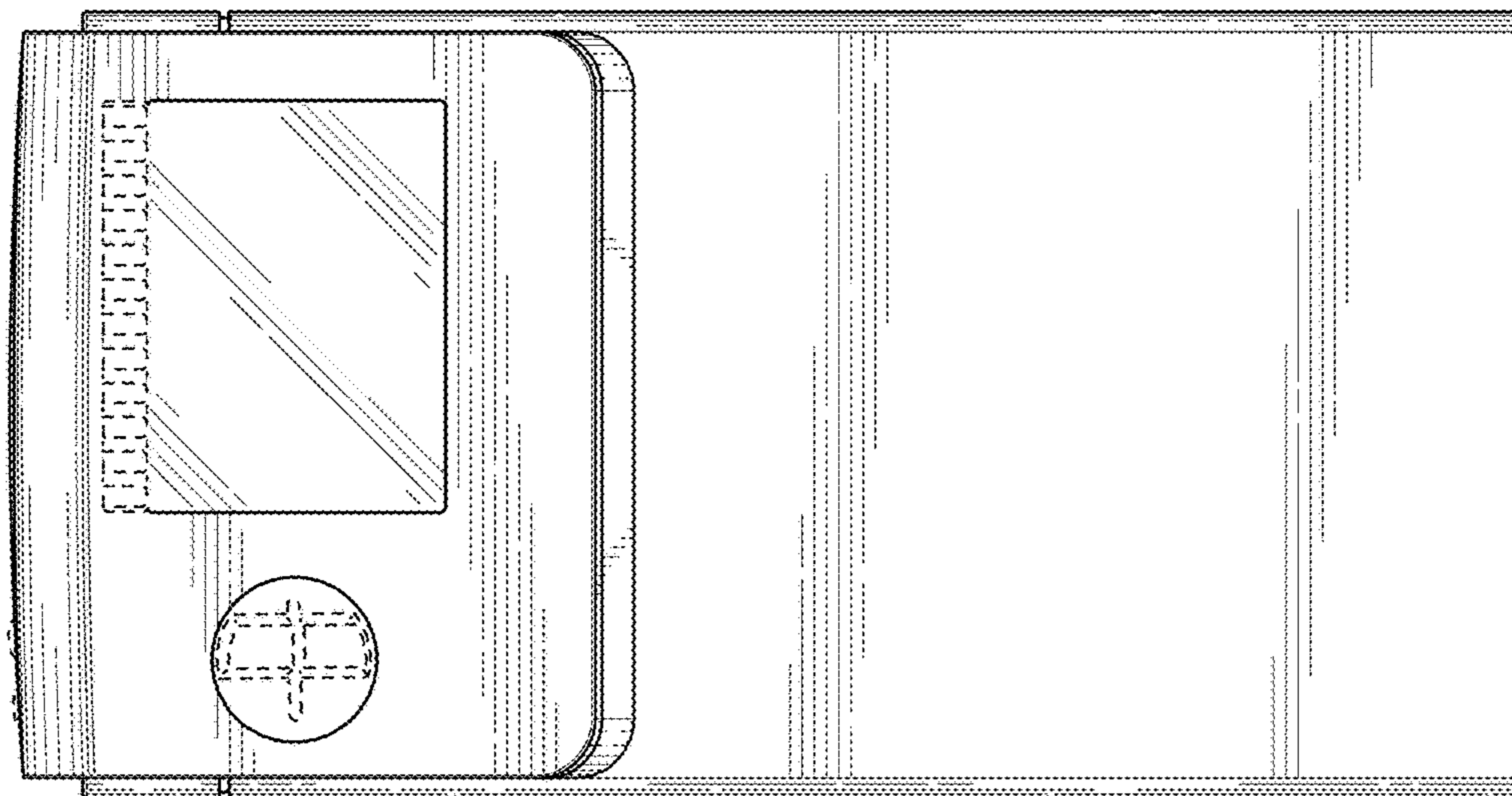


FIG. 6

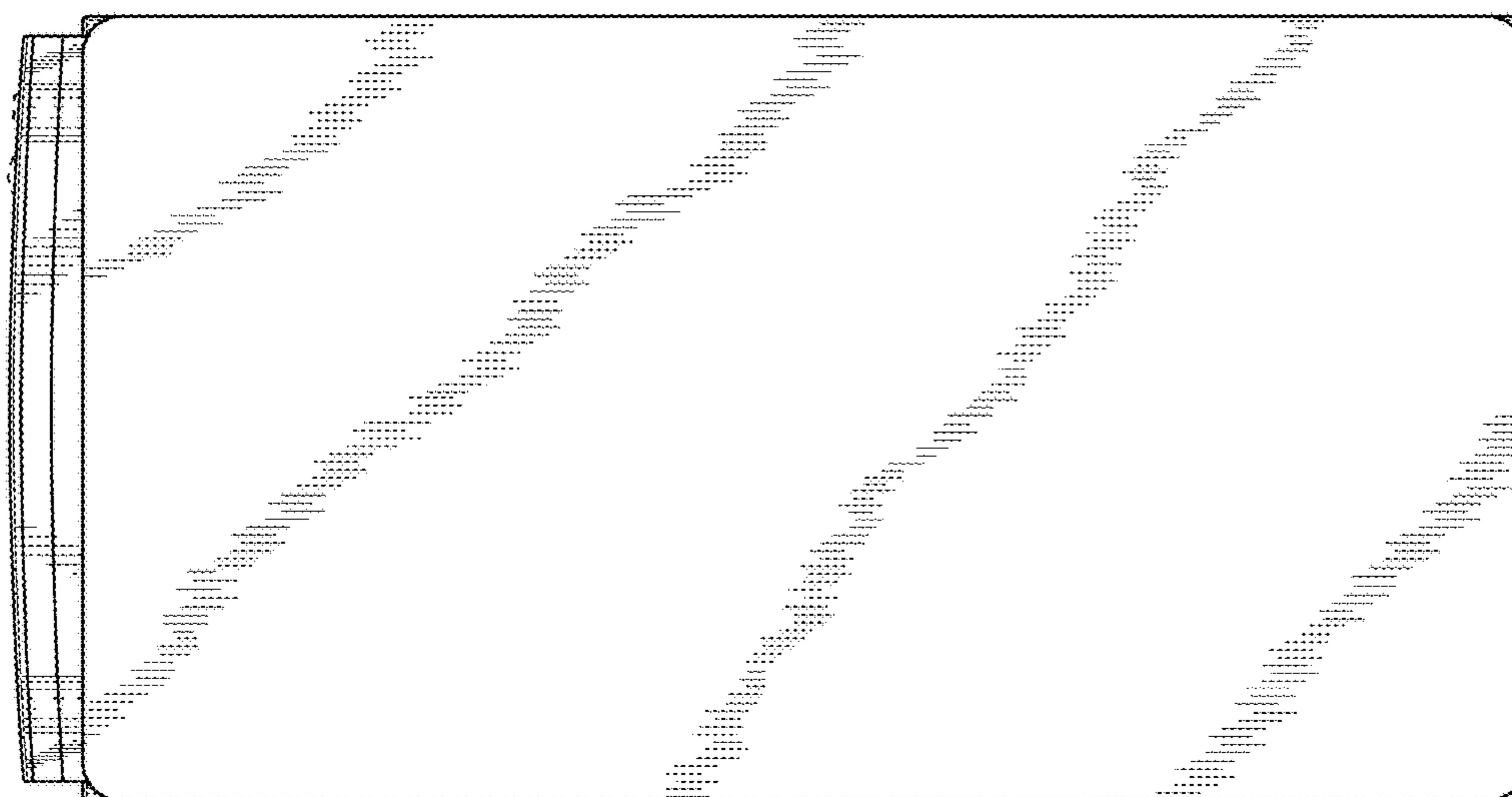


FIG. 7