



US00D782146S

(12) **United States Design Patent**  
**Richards**

(10) **Patent No.:** **US D782,146 S**  
(45) **Date of Patent:** **\*\* Mar. 21, 2017**

- (54) **FORKLIFT FORK TIP**
- (71) Applicant: **Cascade Corporation**, Fairview, OR (US)
- (72) Inventor: **Lawrence E. Richards**, Springfield, OH (US)
- (73) Assignee: **Cascade Corporation**, Fairview, OR (US)
- (\*\*) Term: **15 Years**
- (21) Appl. No.: **29/548,653**
- (22) Filed: **Dec. 15, 2015**

D461,942 S 8/2002 Gallagher  
 D464,785 S 10/2002 Gallagher  
 6,471,465 B2 10/2002 Albertyn  
 (Continued)

**FOREIGN PATENT DOCUMENTS**

AU 361571 5/2015  
 AU 362640 7/2015  
 (Continued)

**OTHER PUBLICATIONS**

Cascade Corporation, Fork Facts Tip Locator Bars, (book—item on p. 50), Jan. 2011, 4 pgs.

*Primary Examiner* — Cynthia Ramirez  
 (74) *Attorney, Agent, or Firm* — Chernoff, Vilhauer, McClung & Stenzel, LLP

(57) **CLAIM**

The ornamental design for a forklift fork tip, as shown and described.

**DESCRIPTION**

FIG. 1 is a top, front isometric view of a forklift fork tip showing my new design;  
 FIG. 2 is a bottom, rear isometric view thereof;  
 FIG. 3 is an enlarged top, front isometric view thereof;  
 FIG. 4 is a left side elevational view, the right side being a mirror image thereof;  
 FIG. 5 is an enlarged top plan view thereof;  
 FIG. 6 is an enlarged front elevational view thereof; and,  
 FIG. 7 is an enlarged bottom plan view thereof.  
 The broken line showing of a forklift fork is included for the purpose of illustrating environment and forms no part of the claimed design. The broken lines immediately adjacent to the shaded areas of the drawing represent unclaimed boundaries of the design.

**Related U.S. Application Data**

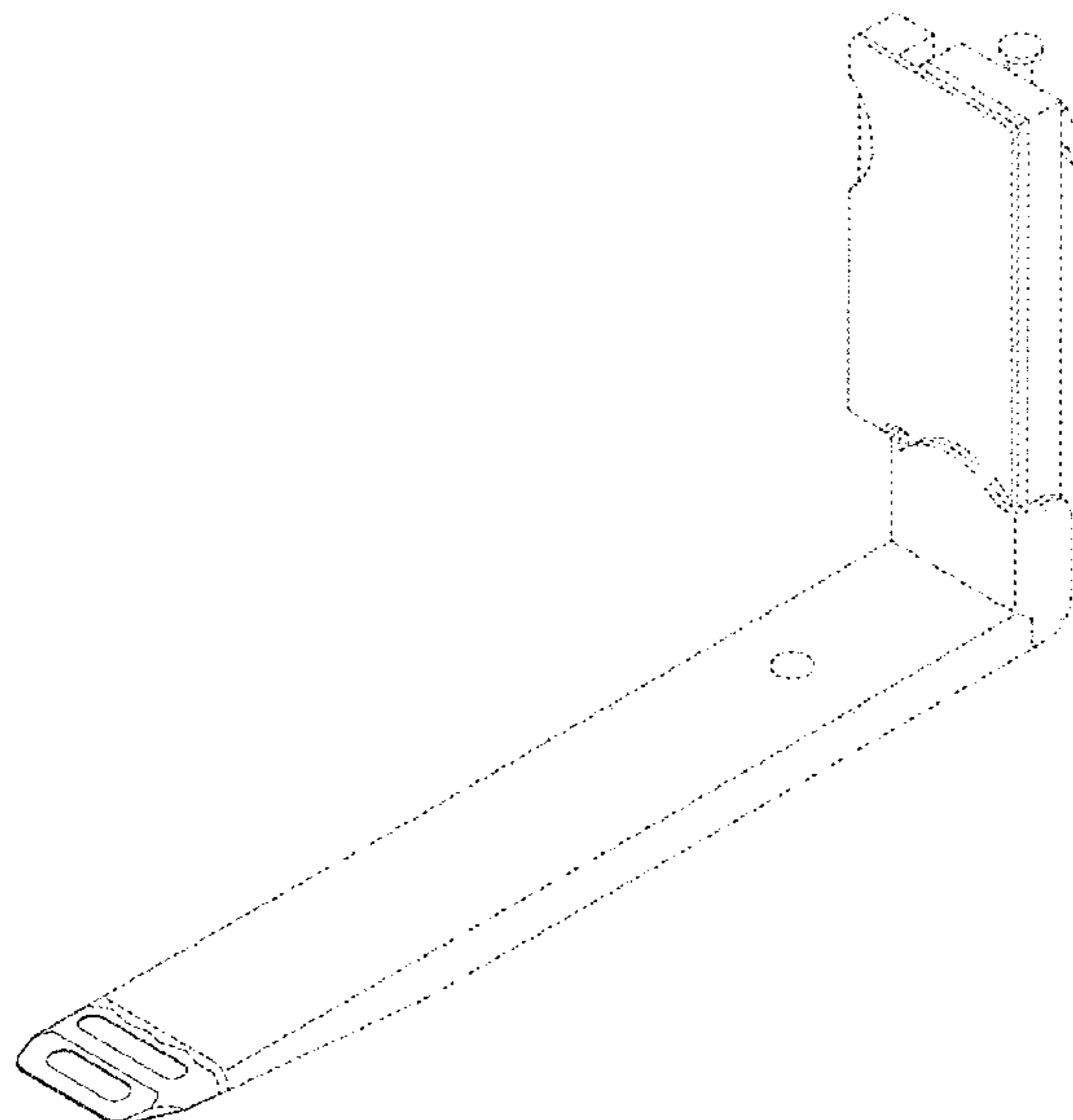
- (62) Division of application No. 29/499,326, filed on Aug. 13, 2014, now Pat. No. Des. 749,289.
- (51) **LOC (10) Cl.** ..... **12-05**
- (52) **U.S. Cl.**  
USPC ..... **D34/35; D34/34**
- (58) **Field of Classification Search**  
USPC ..... D34/34, 35; 414/607, 785, 495; 187/237  
CPC .... B66F 9/12; B66F 9/18; B66F 9/061; B66F 9/06; B66F 9/122; B66F 9/02; B66F 9/187; B66F 9/19; B66F 17/003; B62B 2203/29; B62B 2202/02  
See application file for complete search history.

(56) **References Cited**

**U.S. PATENT DOCUMENTS**

4,290,729 A 9/1981 Cary  
 5,221,176 A 6/1993 Allen et al.  
 5,575,608 A 11/1996 Yau et al.  
 D427,409 S 6/2000 Sato et al.

**1 Claim, 4 Drawing Sheets**



# US D782,146 S

Page 2

(56)

## References Cited

### U.S. PATENT DOCUMENTS

6,540,241 B2 \* 4/2003 Lee ..... B62D 21/14  
254/2 C  
D492,833 S 7/2004 Henshaw et al.  
D526,460 S 8/2006 Goto et al.  
D548,923 S 8/2007 Niebuhr  
D571,073 S 6/2008 Buchmann et al.  
D587,425 S 2/2009 Mori et al.  
D608,074 S 1/2010 Berger et al.  
D612,563 S 3/2010 Stark  
D651,783 S 1/2012 Shibata et al.  
D652,194 S 1/2012 Shibata et al.  
D683,925 S 6/2013 Dickinson et al.  
D684,334 S 6/2013 Dickinson et al.  
D684,335 S 6/2013 Dickinson et al.  
D703,908 S \* 4/2014 Hiraoka ..... D34/34  
8,714,311 B2 \* 5/2014 Billger ..... B66F 9/08  
187/227  
D749,289 S \* 2/2016 Richards ..... D34/34  
2003/0235489 A1 12/2003 Hoff  
2004/0161327 A1 8/2004 Paxton et al.

2005/0129494 A1 6/2005 Chandler et al.  
2007/0116547 A1 5/2007 Bulkeley  
2008/0135341 A1 6/2008 Pollard  
2008/0310946 A1\* 12/2008 Allen ..... B66F 9/12  
414/785  
2010/0068023 A1 3/2010 Kuck et al.  
2012/0076624 A1 3/2012 Magoto

### FOREIGN PATENT DOCUMENTS

AU 366772 1/2016  
CA 143684 10/1912  
CA 158148 8/2015  
CA 162593 8/2015  
CA 162594 8/2015  
CN ZL201530043894.8 9/2015  
EP 002528877-0001 9/2014  
EP 002528877-0002 9/2014  
EP 002528877-0003 9/2014  
JP 1532365 7/2015  
JP 1532366 7/2015  
JP 1532637 7/2015

\* cited by examiner

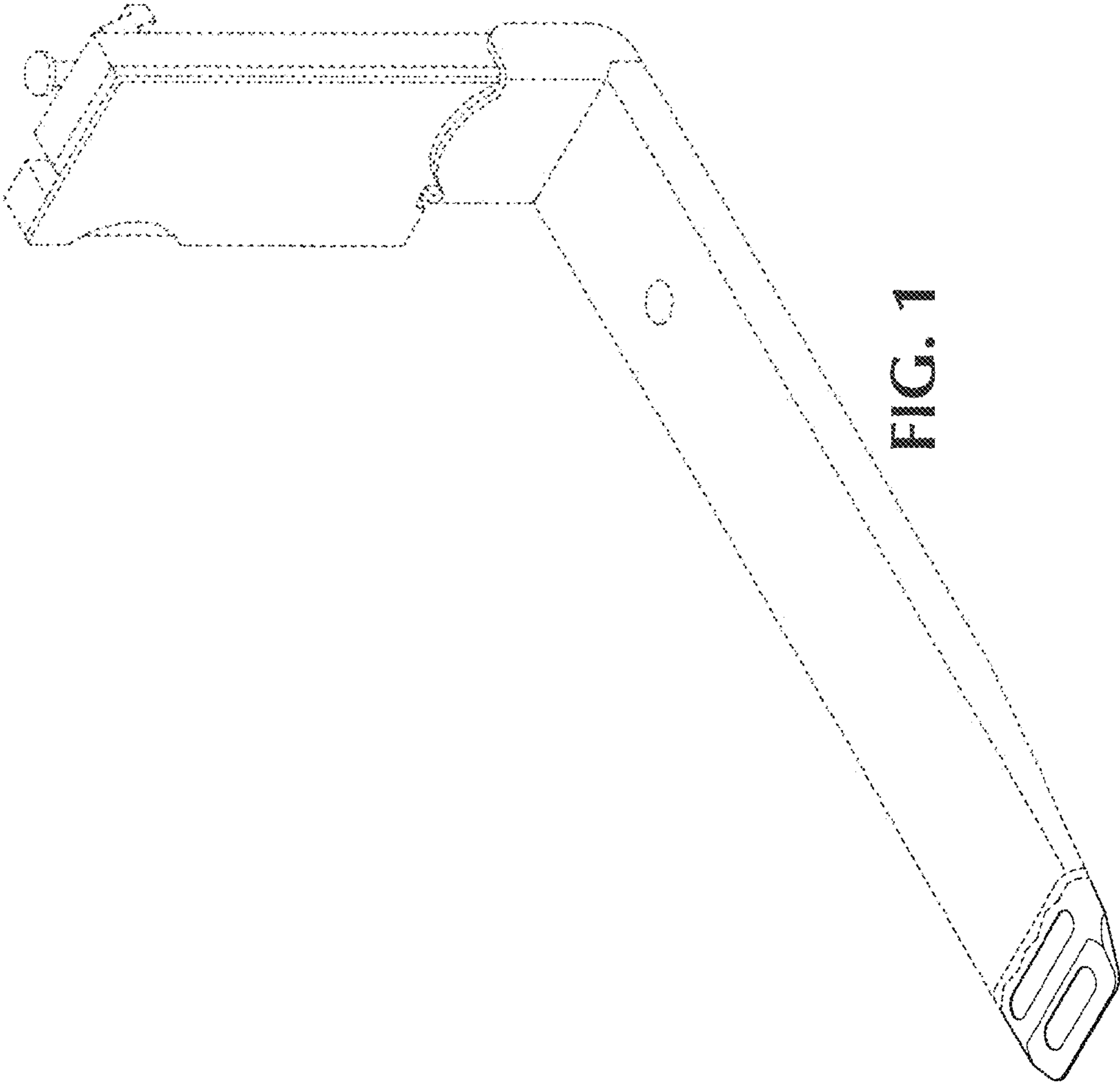


FIG. 1

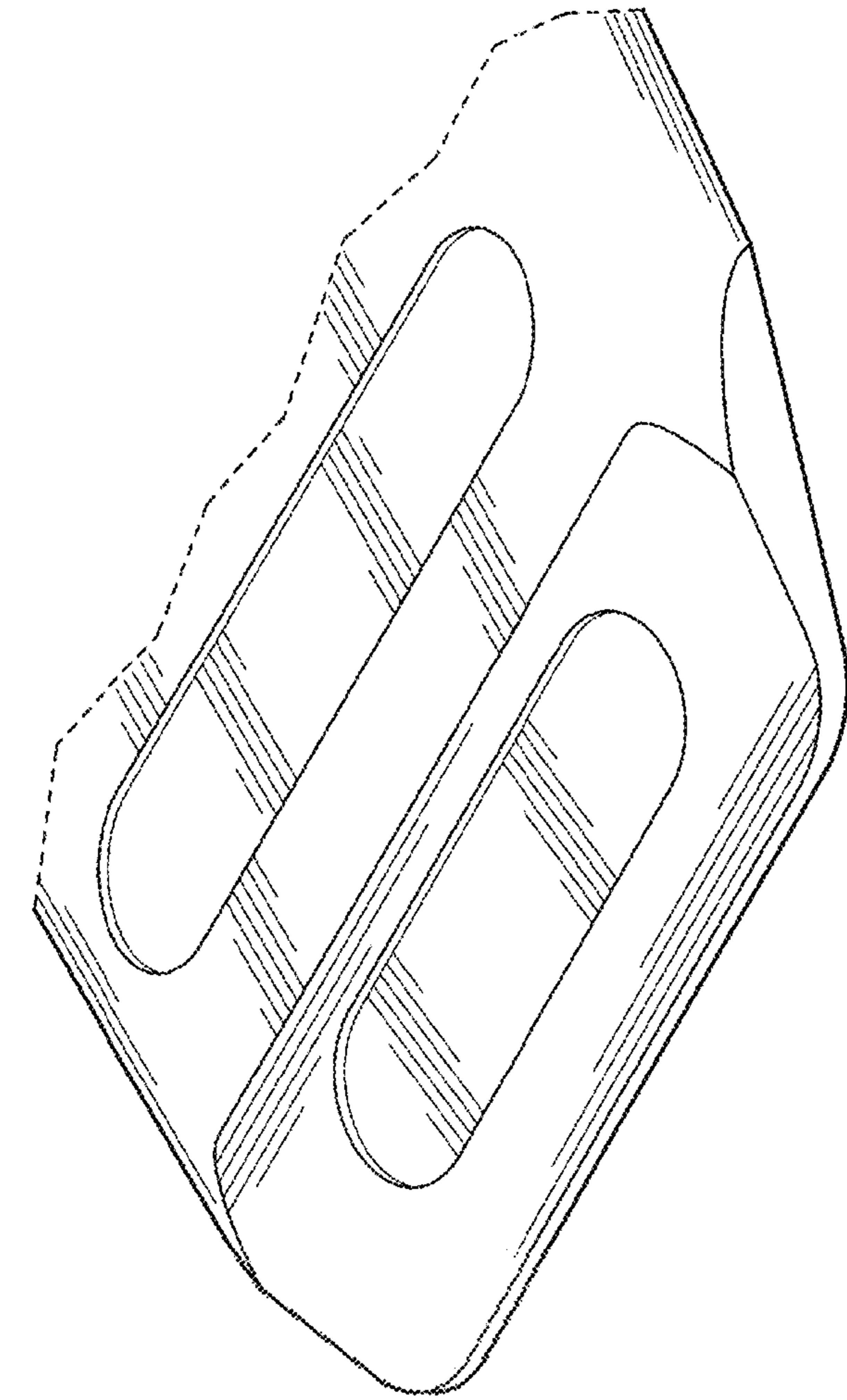


FIG. 3

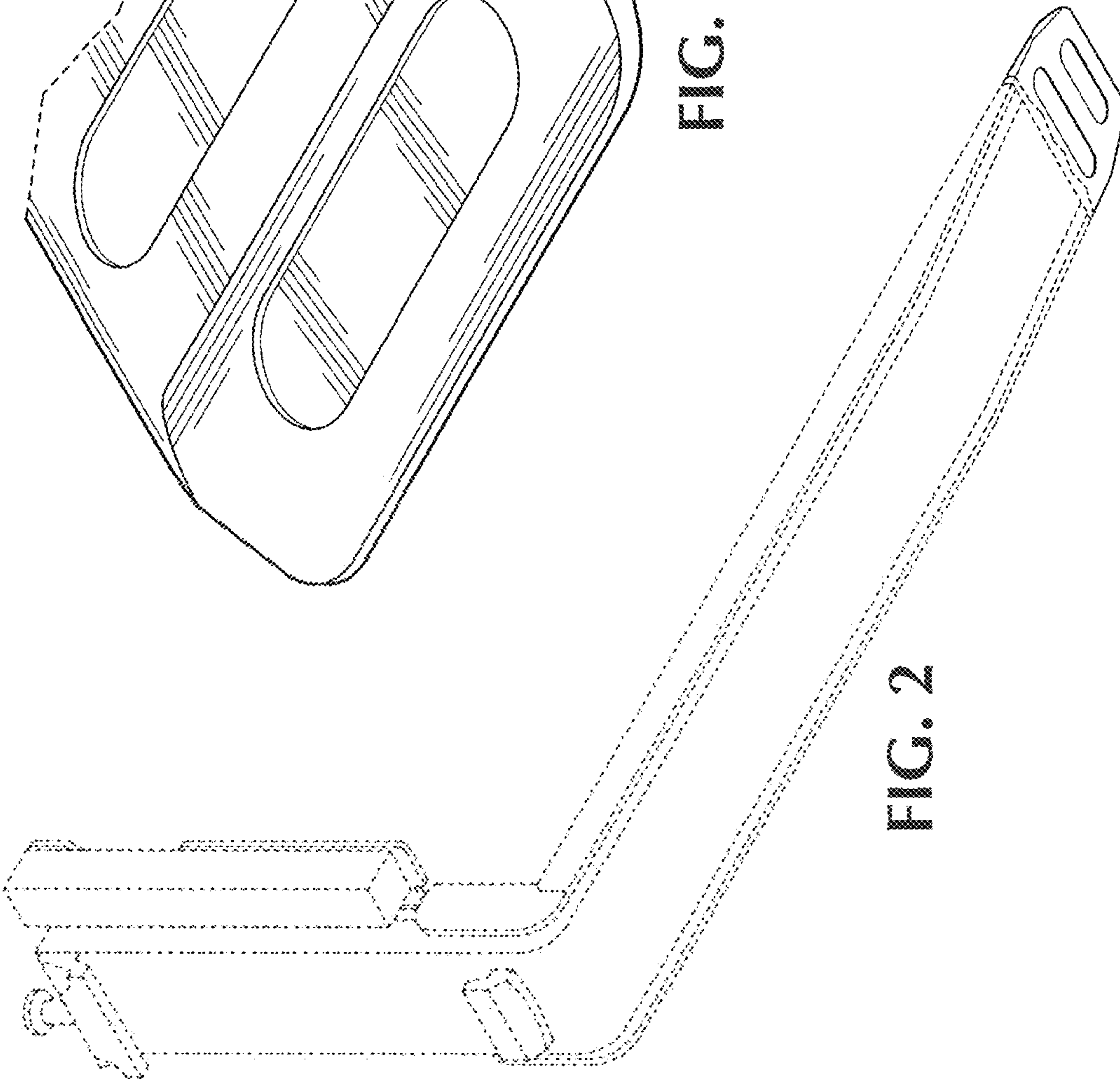
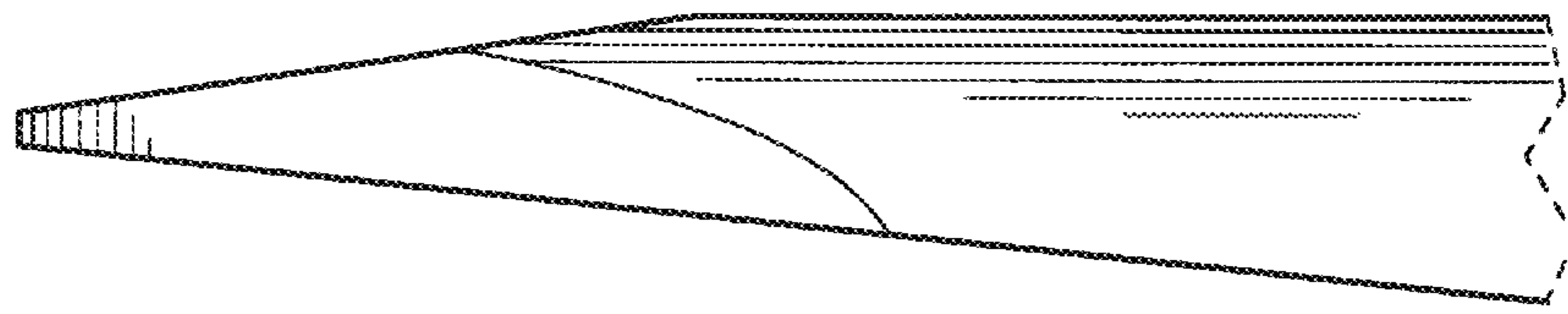
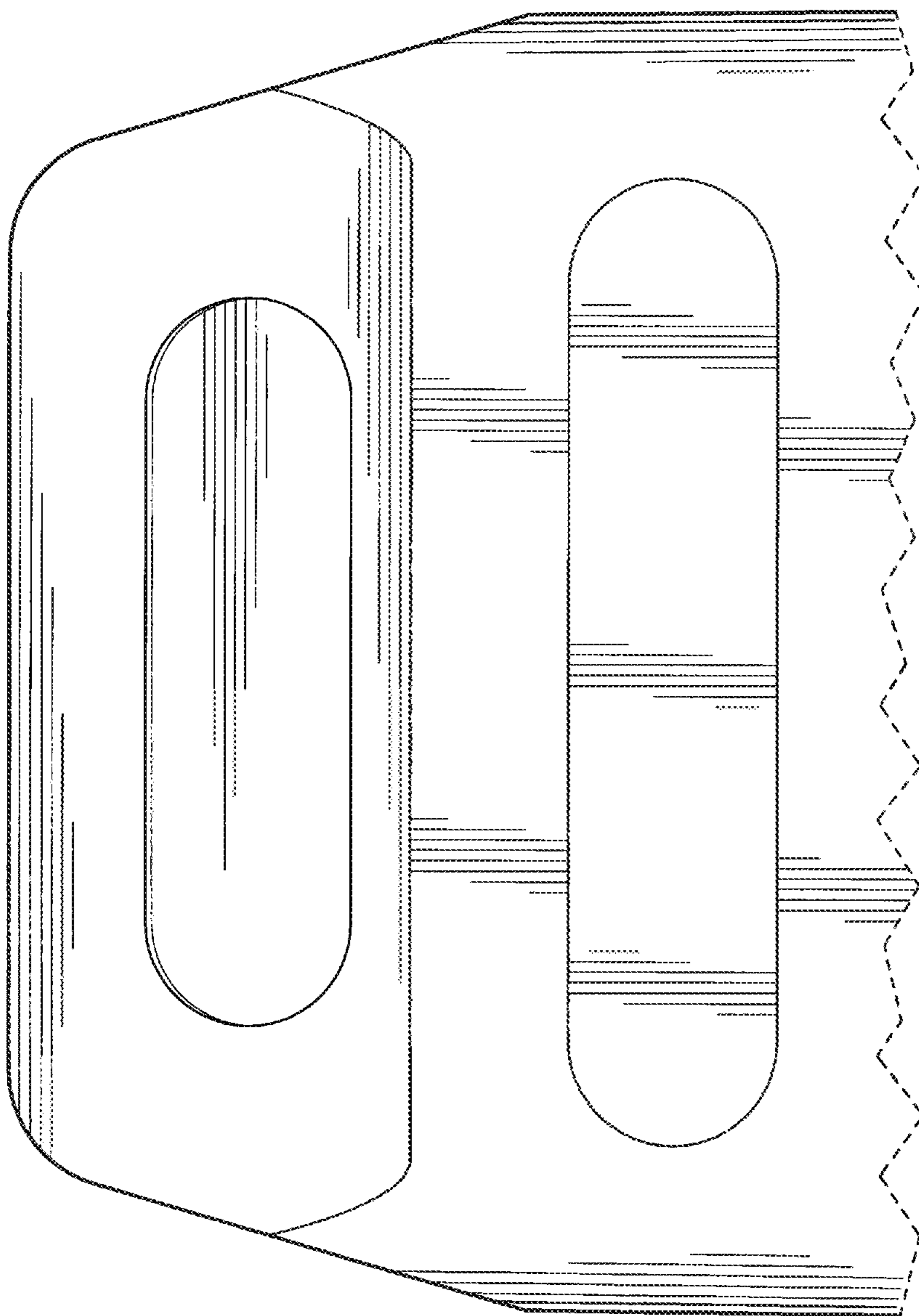


FIG. 2



**FIG. 4**



**FIG. 5**



FIG. 6

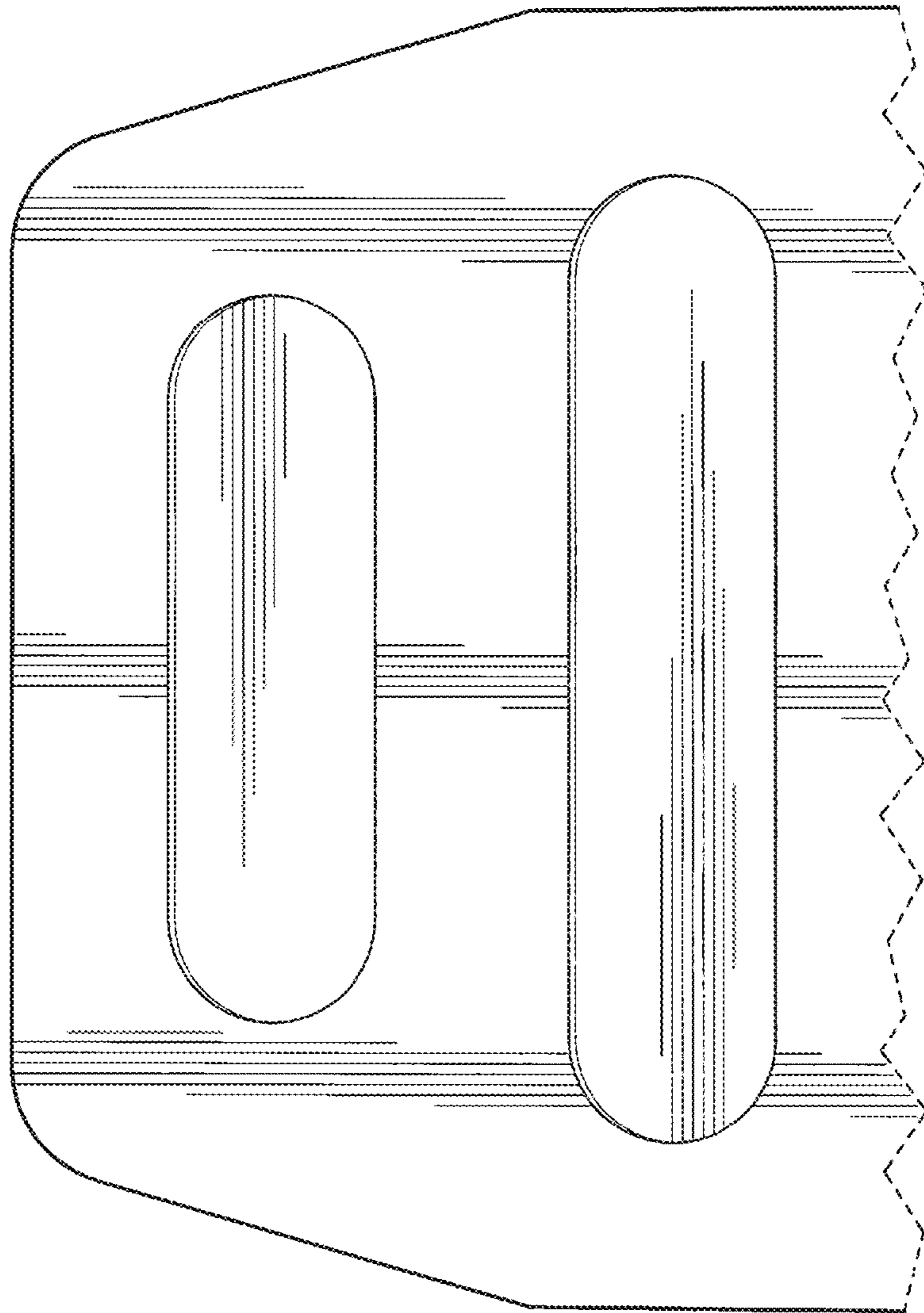


FIG. 7