



US00D782145S

(12) **United States Design Patent**
Bowen et al.

(10) **Patent No.:** **US D782,145 S**
(45) **Date of Patent:** **** Mar. 21, 2017**

(54) **LUGGAGE CART**

(71) Applicants: **Allen Bowen**, Beverly, MA (US);
Sheryl Handler, Cambridge, MA (US)

(72) Inventors: **Allen Bowen**, Beverly, MA (US);
Sheryl Handler, Cambridge, MA (US)

(**) Term: **15 Years**

(21) Appl. No.: **29/537,990**

(22) Filed: **Aug. 31, 2015**

(51) **LOC (10) Cl.** **12-02**

(52) **U.S. Cl.**
USPC **D34/12**

(58) **Field of Classification Search**
USPC D34/12-27; 280/47.19, 47.26, 47.33
CPC B62B 2202/406; B62B 1/262; B62B 1/14;
B62B 1/002; B62B 1/1468
See application file for complete search history.

(56) **References Cited**

U.S. PATENT DOCUMENTS

687,619	A	11/1901	Couse	
3,168,329	A	2/1965	Goldschmidt	
D209,279	S *	11/1967	Cohen	D34/17
3,479,047	A *	11/1969	Bailey	B62B 1/264
				211/85.19
4,179,132	A *	12/1979	Rich	B62B 1/14
				248/98
D268,620	S *	4/1983	Schreiner	D34/17
4,984,704	A	1/1991	O'Malley	
D352,585	S *	11/1994	Binning	D34/12
D453,623	S	2/2002	Meissner	
6,715,723	B2 *	4/2004	Zhu	A47J 37/0704
				126/25 R
6,722,671	B2	4/2004	Be	
7,036,641	B2	5/2006	Russo et al.	
7,066,475	B2	6/2006	Barnes	

7,367,571	B1	5/2008	Nichols	
D578,270	S *	10/2008	Mulka	D34/21
D578,724	S *	10/2008	Mulka	D34/21
D584,471	S *	1/2009	Diedericks	D34/21
D602,253	S	10/2009	Rees et al.	
D608,095	S	1/2010	Turvey et al.	
D612,123	S *	3/2010	Lawrence	D34/24
7,686,260	B1	3/2010	Tetradis	
D639,051	S	6/2011	Dare	
D639,557	S	6/2011	Damda	
D650,584	S	12/2011	Kim	
D656,315	S	3/2012	Kwon	

(Continued)

OTHER PUBLICATIONS

U.S. Appl. No. 29/538,000, filed Aug. 31, 2015, Bowen et al.
(Continued)

Primary Examiner — Cynthia Ramirez
(74) *Attorney, Agent, or Firm* — Wolf, Greenfield & Sacks, P.C.

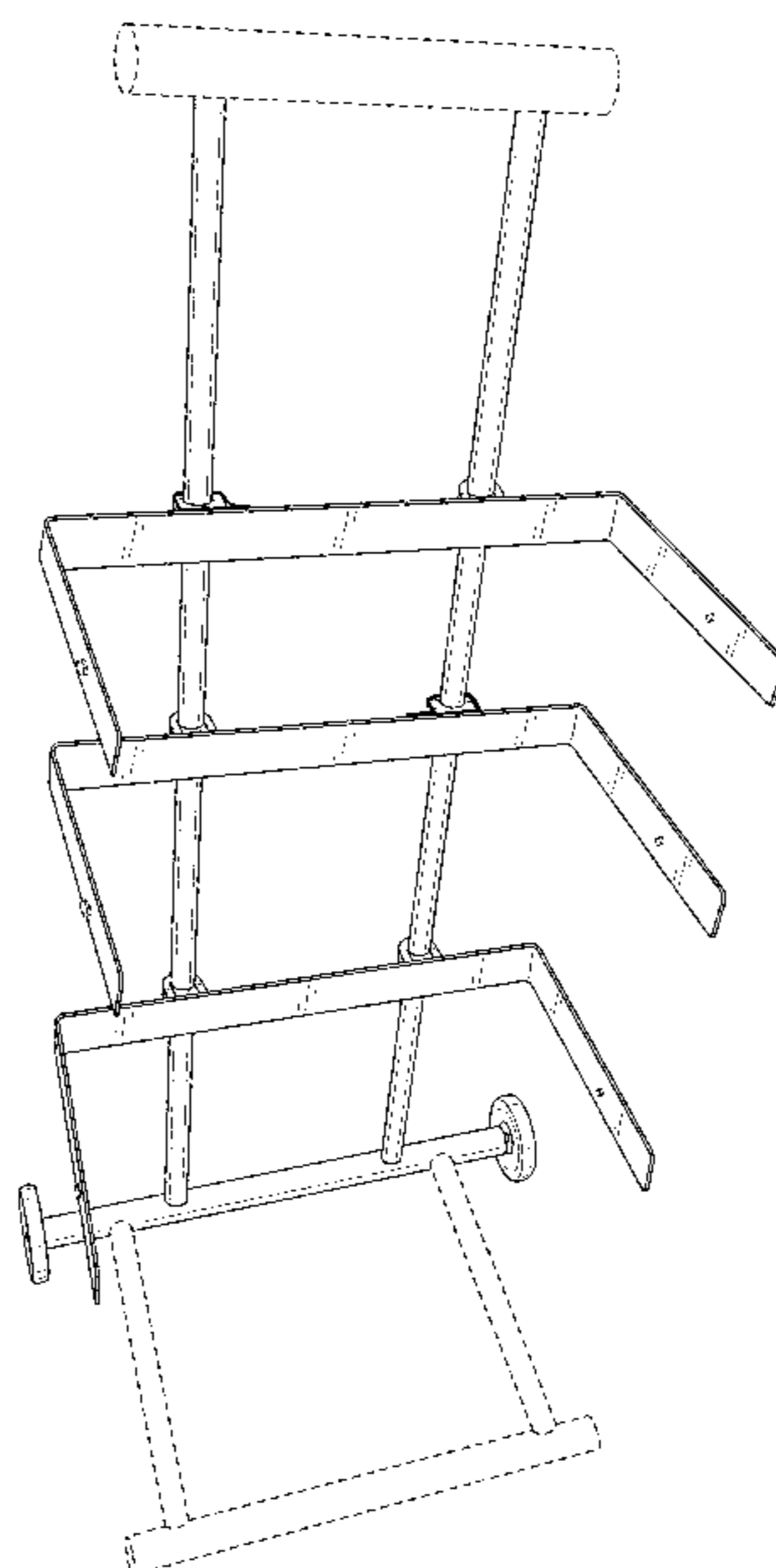
(57) **CLAIM**

The ornamental design for a luggage cart, as shown and described.

DESCRIPTION

FIG. 1 is a top, front, left side perspective view of a luggage cart showing our new design;
FIG. 2 is a front elevational view thereof;
FIG. 3 is a rear elevational view thereof;
FIG. 4 is a left side elevational view thereof;
FIG. 5 is a right side elevational view thereof;
FIG. 6 is a top plan view thereof; and,
FIG. 7 is a bottom plan view thereof.
The broken lines in FIGS. 1-7 illustrate portions of the luggage cart that form no part of the claimed design.

1 Claim, 6 Drawing Sheets



(56)

References Cited

U.S. PATENT DOCUMENTS

D663,119	S	7/2012	Wright	
D671,316	S	11/2012	Kritzler	
8,567,796	B2	10/2013	Bar-Erez et al.	
8,789,836	B2	7/2014	Umbro et al.	
D719,730	S	12/2014	Marabotto	
2003/0038008	A1	2/2003	Han	
2005/0103950	A1*	5/2005	Joubert B62B 1/12 248/98
2008/0135365	A1	6/2008	Han	
2008/0197587	A1*	8/2008	Nowak B62B 1/264 280/30
2011/0049824	A1	3/2011	Bar-Erez et al.	

OTHER PUBLICATIONS

Google image search, Milk Crate Insulated Bag. Results for images related to the first image in the red square. Accessed Mar. 2, 2016.

* cited by examiner

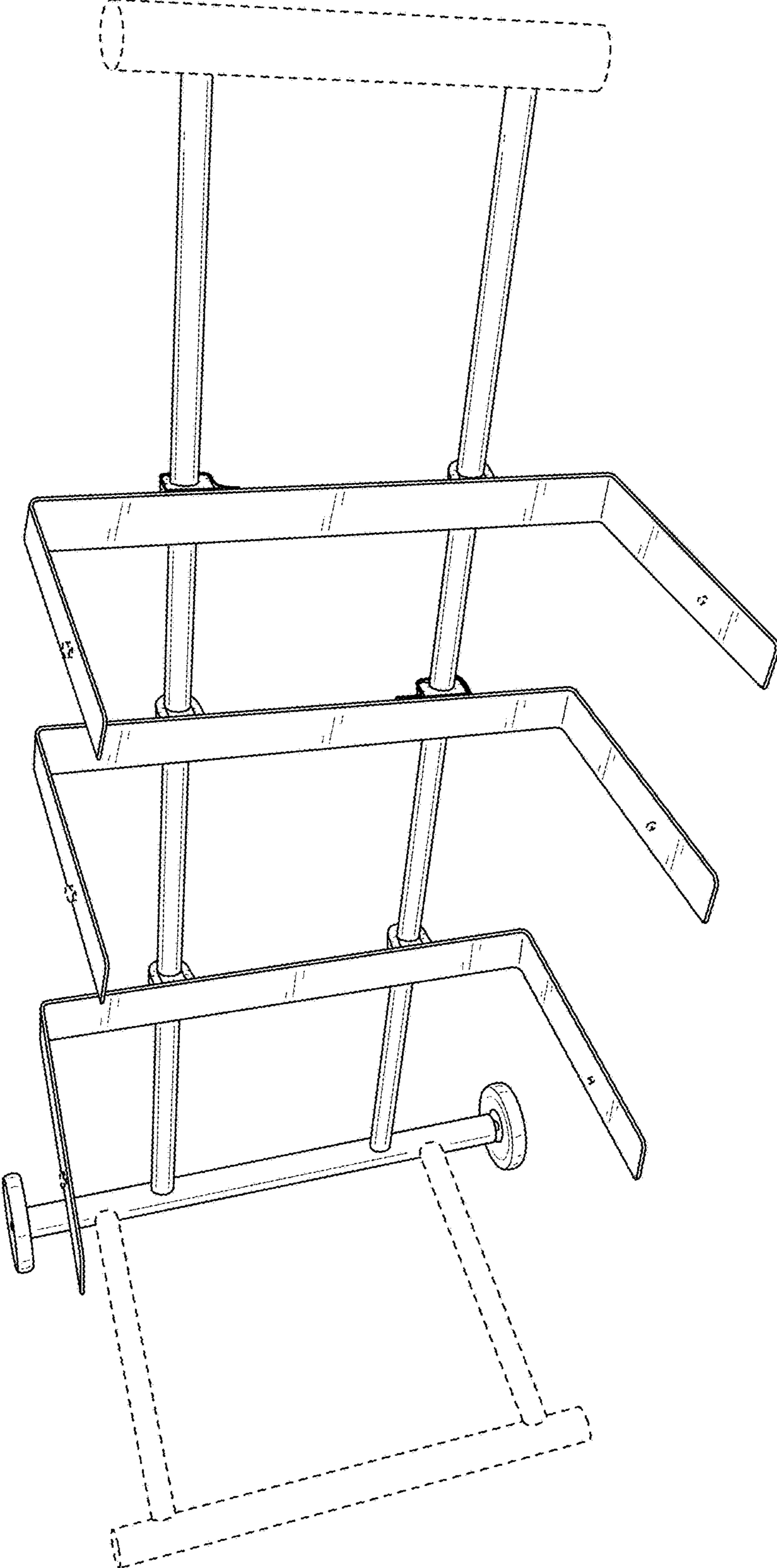


FIG. 1

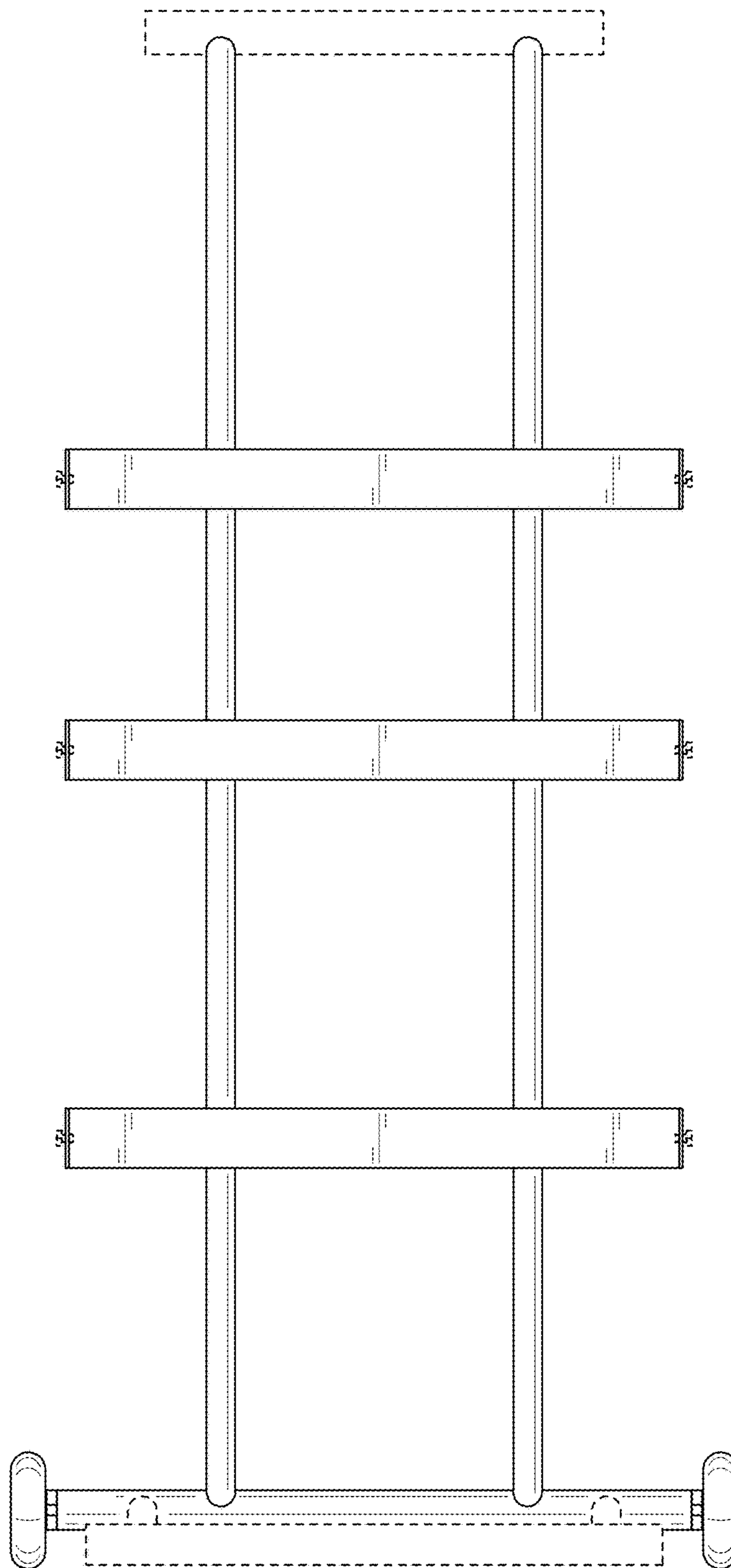


FIG. 2

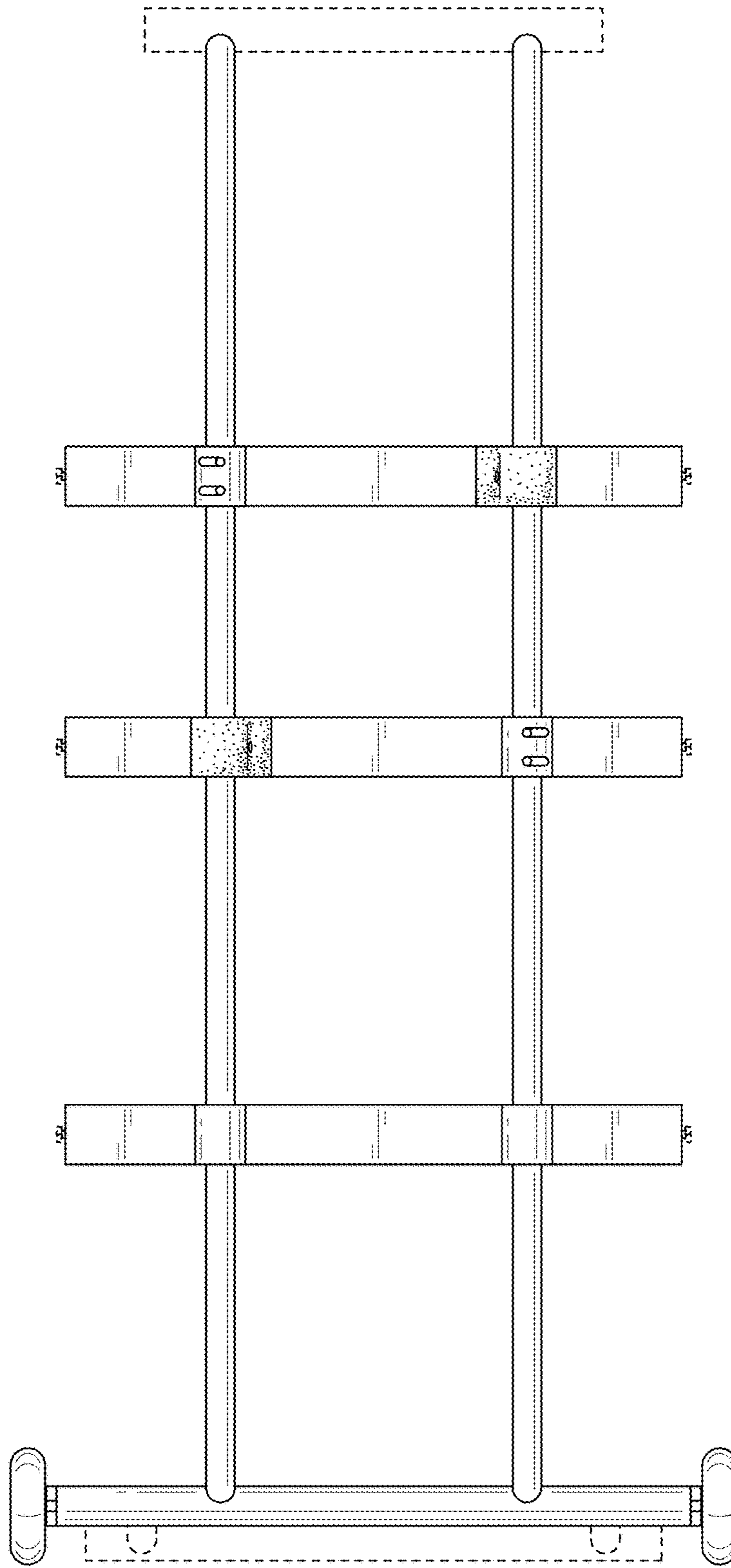


FIG. 3

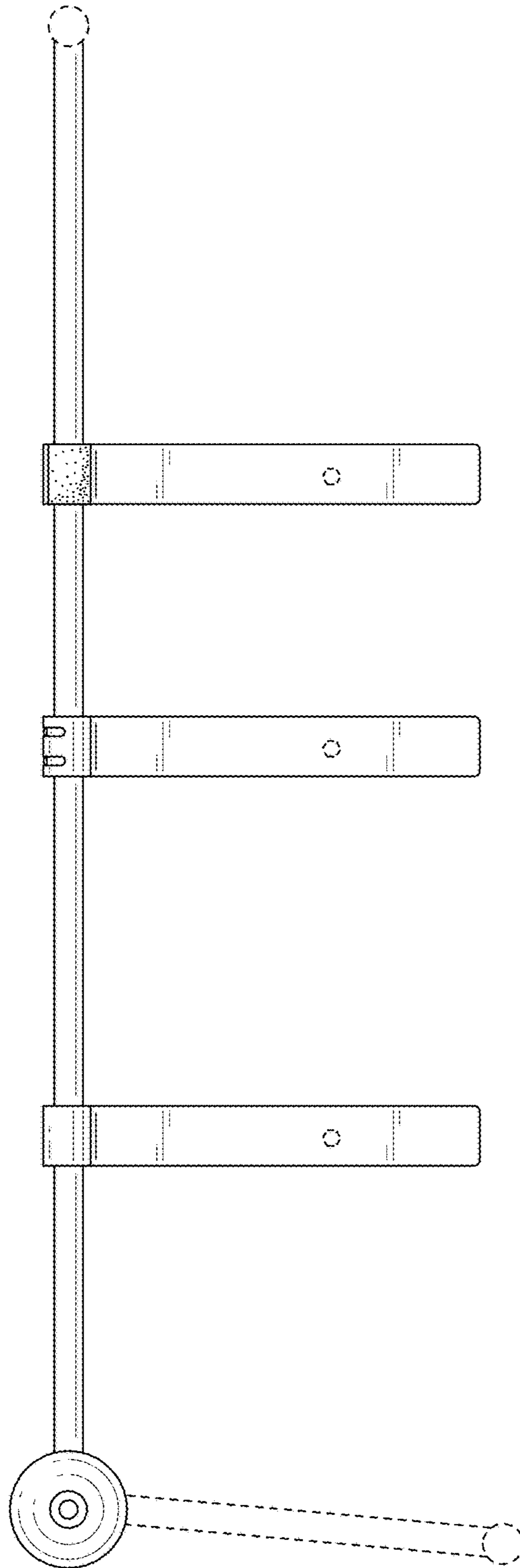


FIG. 4

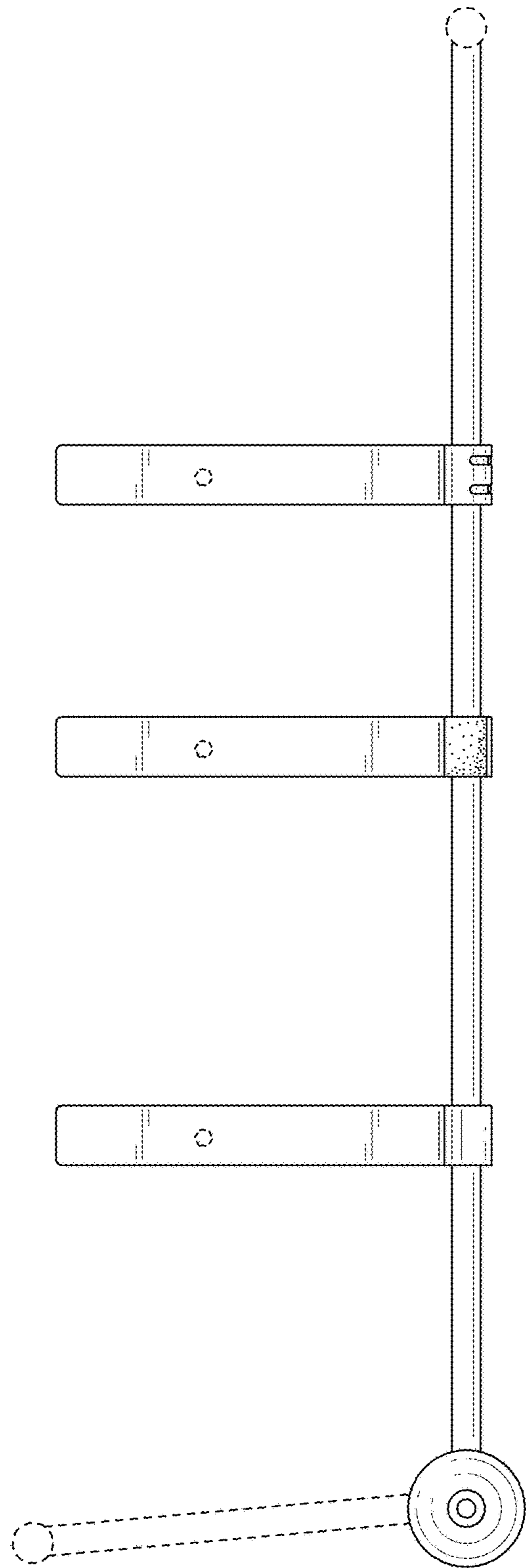


FIG. 5

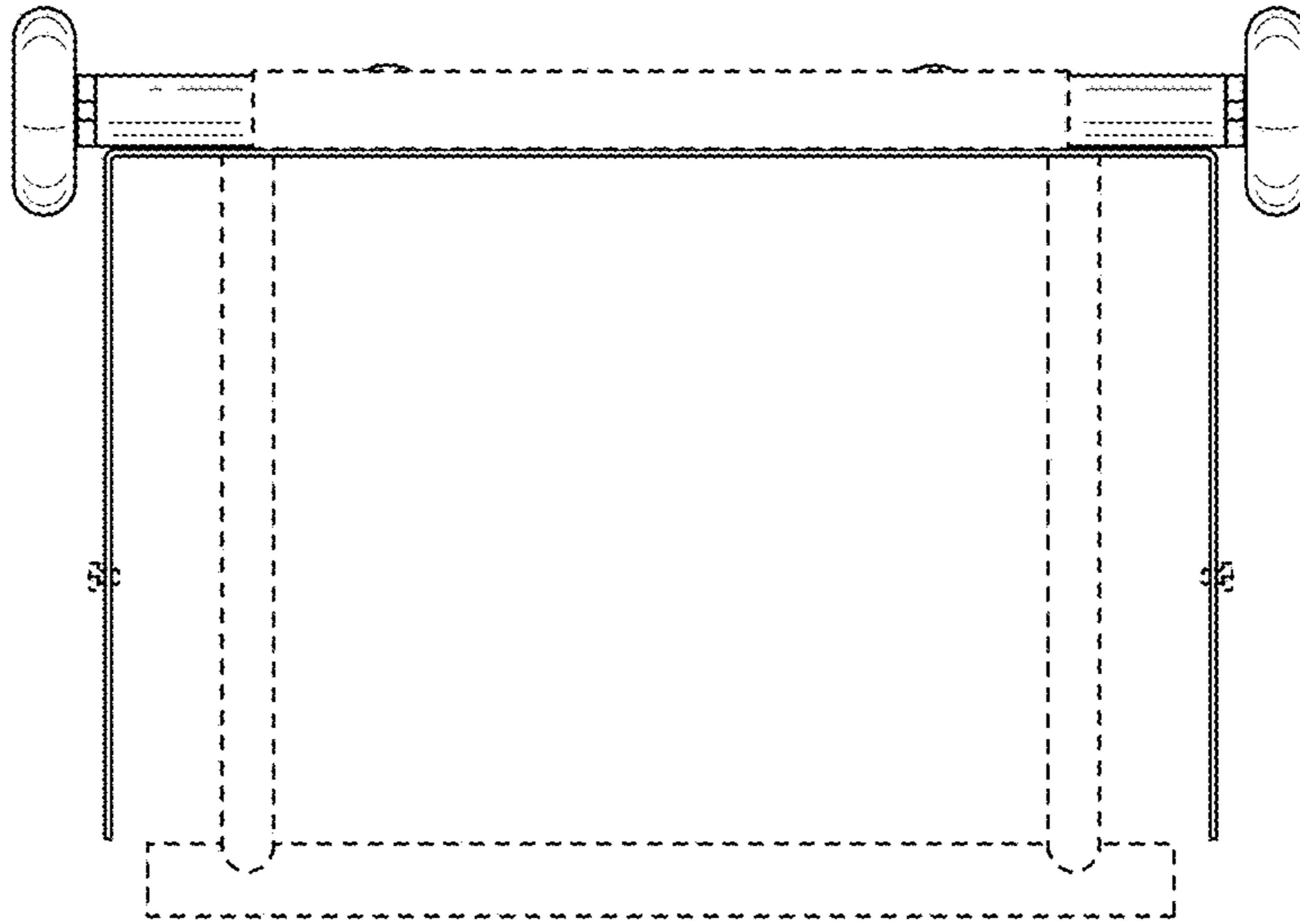


FIG. 6

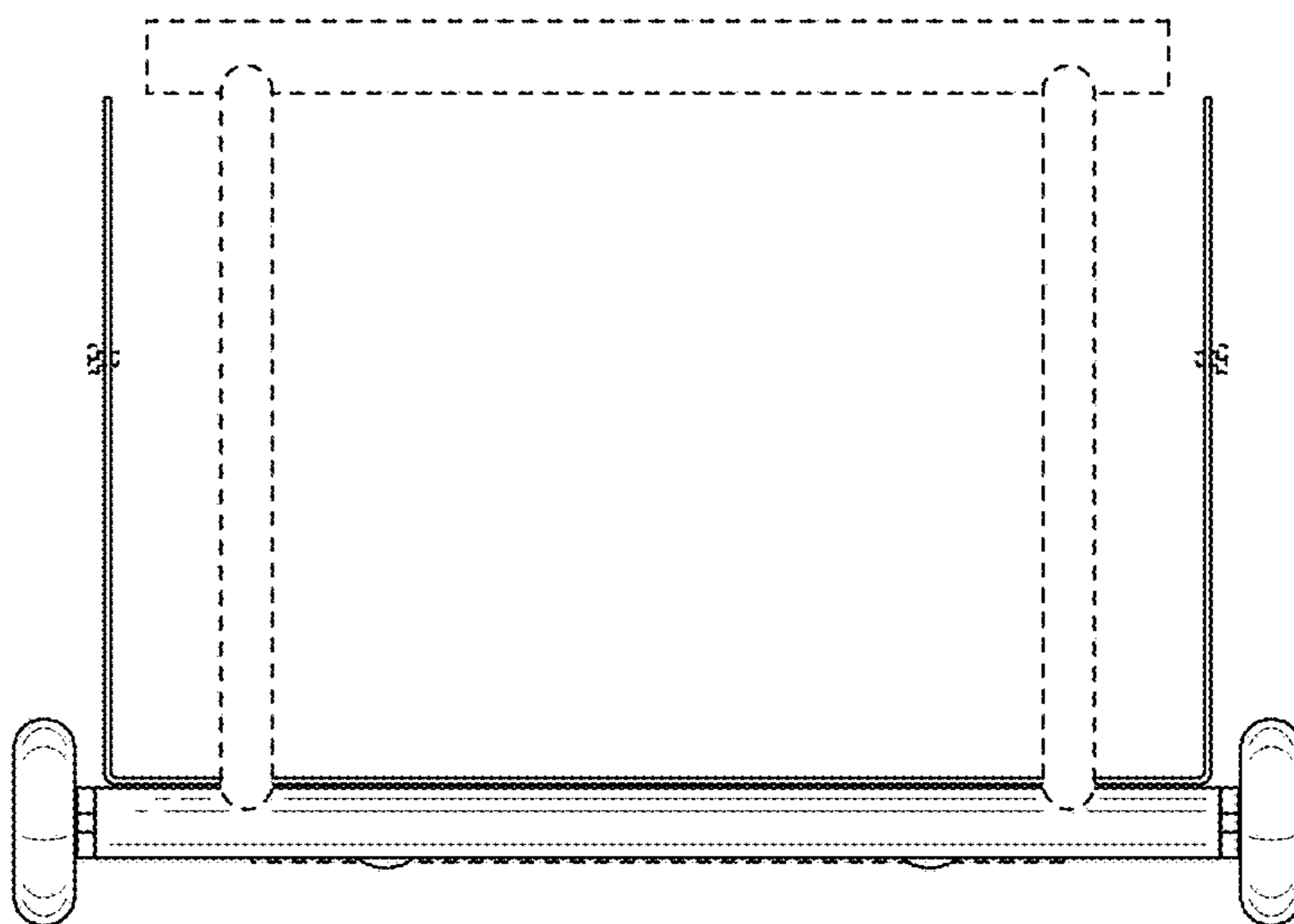


FIG. 7