



US00D782144S

(12) **United States Design Patent**
Chitayat et al.

(10) **Patent No.:** **US D782,144 S**
(45) **Date of Patent:** **** Mar. 21, 2017**

(54) **COMPOST COLLECTOR HAVING A CONTAINER AND LID**

5,918,651 A 7/1999 Gazdy et al.
D488,277 S * 4/2004 Ciocchini D34/1
D732,783 S 6/2015 MacArthur
D751,785 S * 3/2016 Lychwick D22/117

(71) Applicant: **FC Brands Limited**, Central Hong Kong (HK)

(72) Inventors: **David Dennys Chitayat**, Shanghai (CN); **Heather Tomasetti Kauffman**, Brooklyn, NY (US); **Pieter Schouten**, Berkeley, CA (US)

(73) Assignee: **FC Brands Limited**, Central Hong Kong (HK)

(**) Term: **14 Years**

(21) Appl. No.: **29/519,739**

(22) Filed: **Mar. 6, 2015**

(51) **LOC (10) Cl.** **09-09**

(52) **U.S. Cl.**
USPC **D34/7**

(58) **Field of Classification Search**
USPC D34/1-11; 220/908-913
CPC B65F 1/163; B65F 1/08; B65F 1/1607;
B65F 1/06; B65F 1/1615; B65D 90/587
See application file for complete search history.

(56) **References Cited**

U.S. PATENT DOCUMENTS

D309,810 S * 8/1990 Moore D34/7
D328,509 S * 8/1992 Hollinger D34/1
5,183,228 A * 2/1993 Curry B65F 1/067
248/100
D393,125 S * 3/1998 Doty D34/11

OTHER PUBLICATIONS

“Breeze: Odor-Free Countertop Compost Collector”, [online] [retrieved on Jan. 7, 2016] Retrieved from <URL: <http://fullcirclehome.com/shop/compost/breeze.html>>, 2 pages.

* cited by examiner

Primary Examiner — Cynthia Ramirez

(74) *Attorney, Agent, or Firm* — Finch & Maloney PLLC

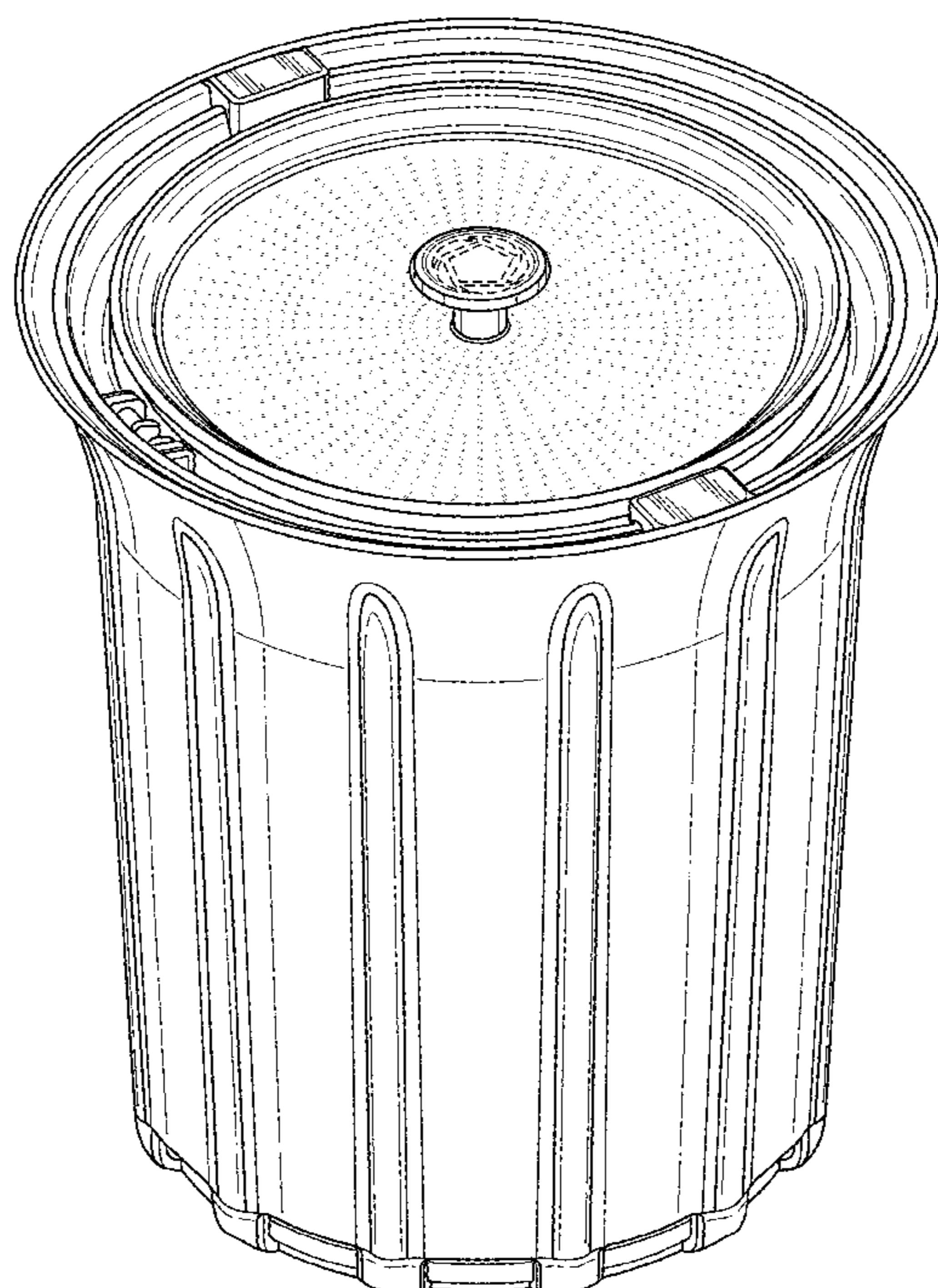
(57) **CLAIM**

The ornamental design for a compost collector having a container and lid, as shown and described.

DESCRIPTION

FIG. 1 is a top perspective view of a compost collector having a container and lid showing our new design; FIG. 2 is a front elevation view thereof, the left, right, and rear elevation views being identical; FIG. 3 is a top plan view thereof; FIG. 4 is a bottom plan view thereof; and, FIG. 5 is a bottom perspective view thereof. The broken lines in the figures are for the purpose of illustrating environmental structure only and form no part of the claimed design. Any surface or portion of our design not shown in the figures or otherwise described herein forms no part of the claimed design.

1 Claim, 5 Drawing Sheets



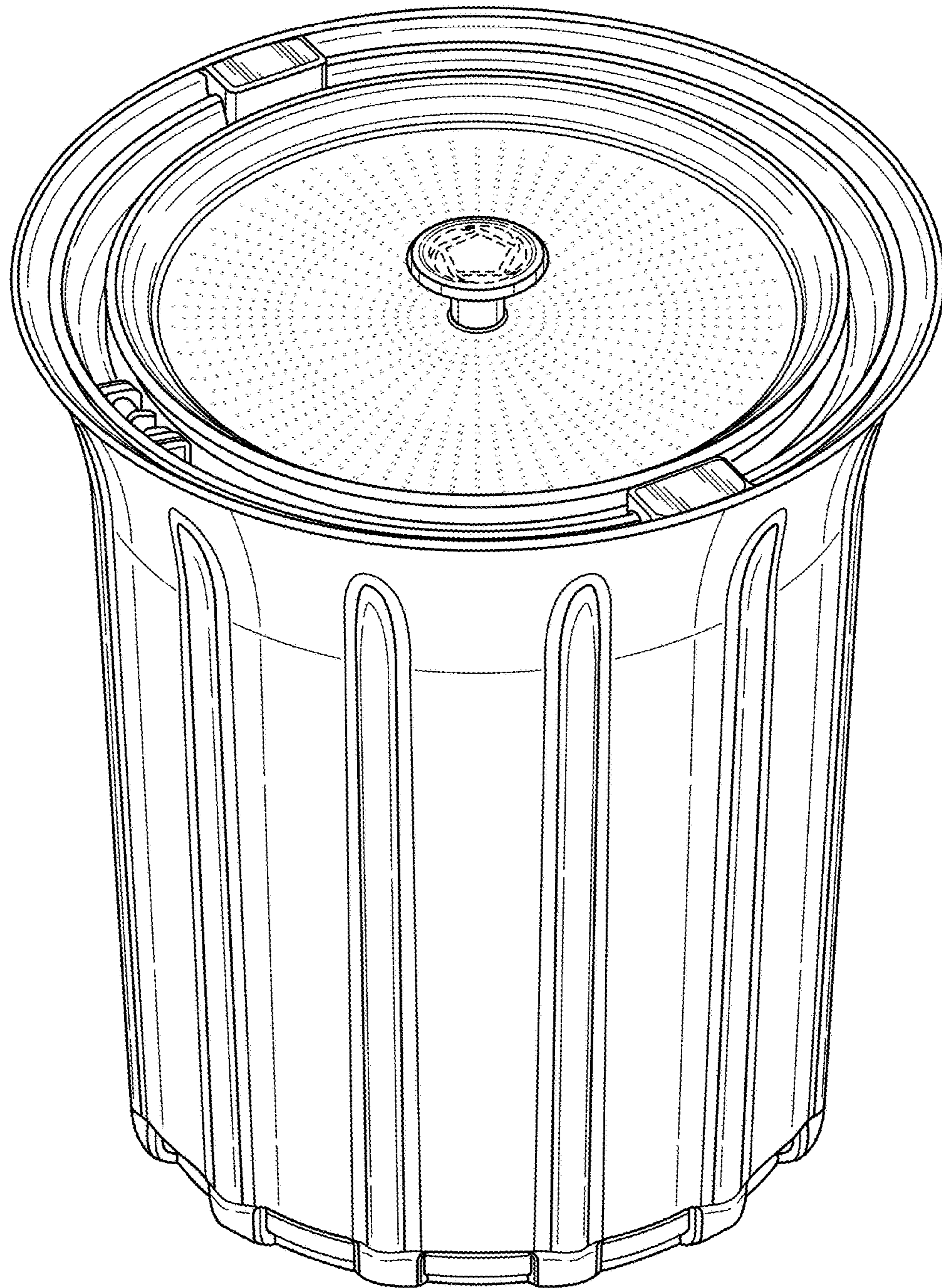


FIG. 1

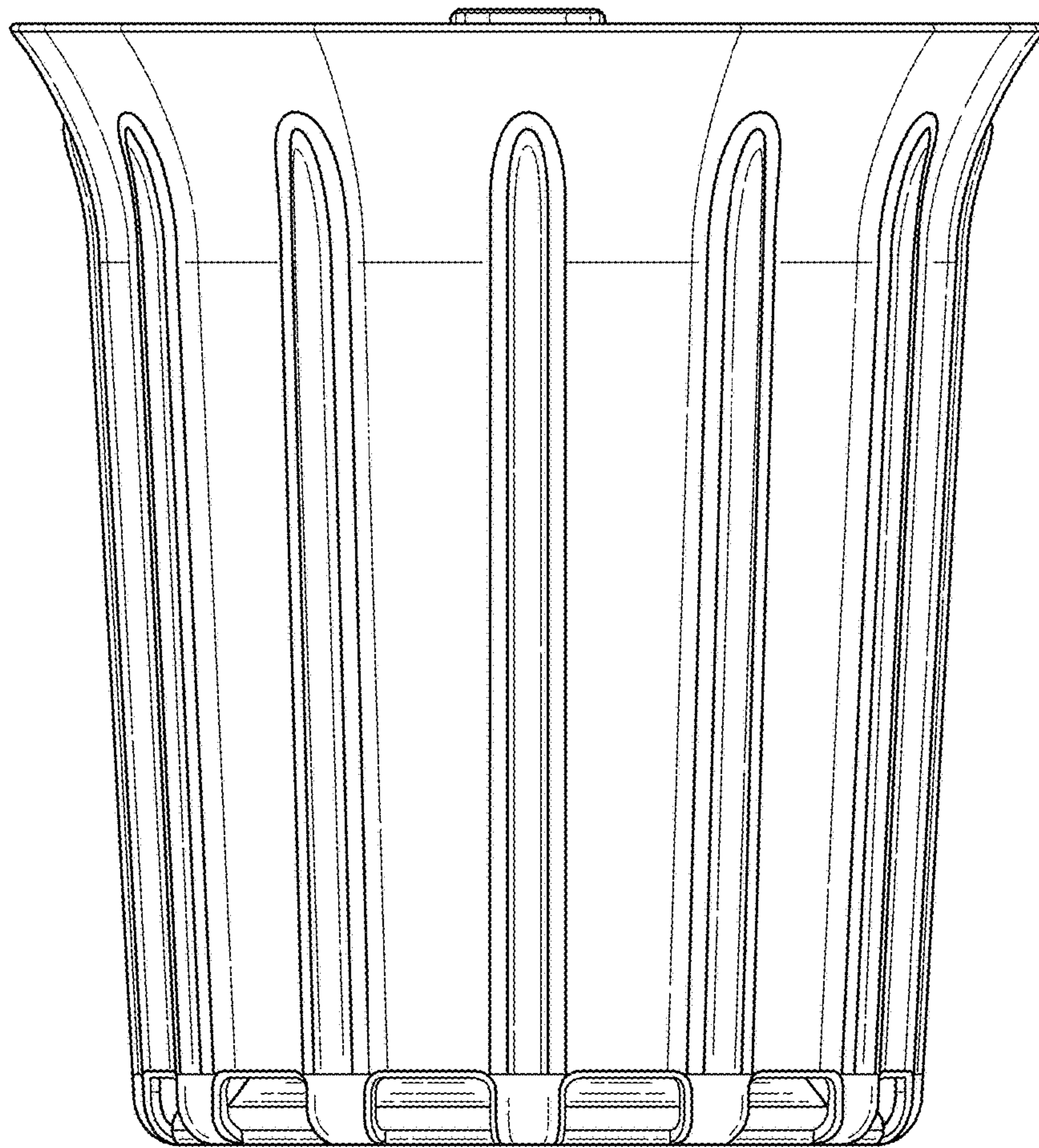


FIG. 2

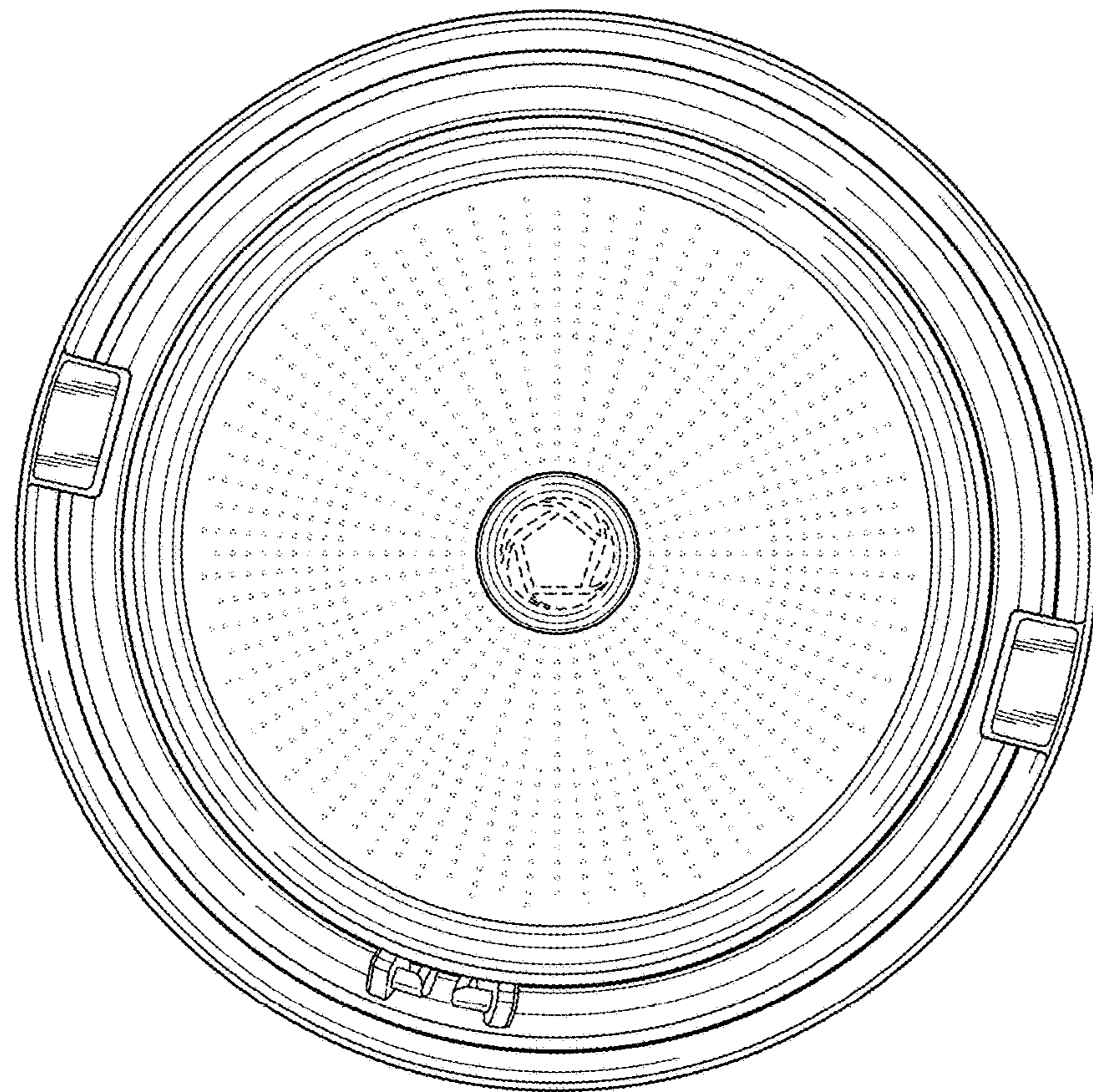


FIG. 3

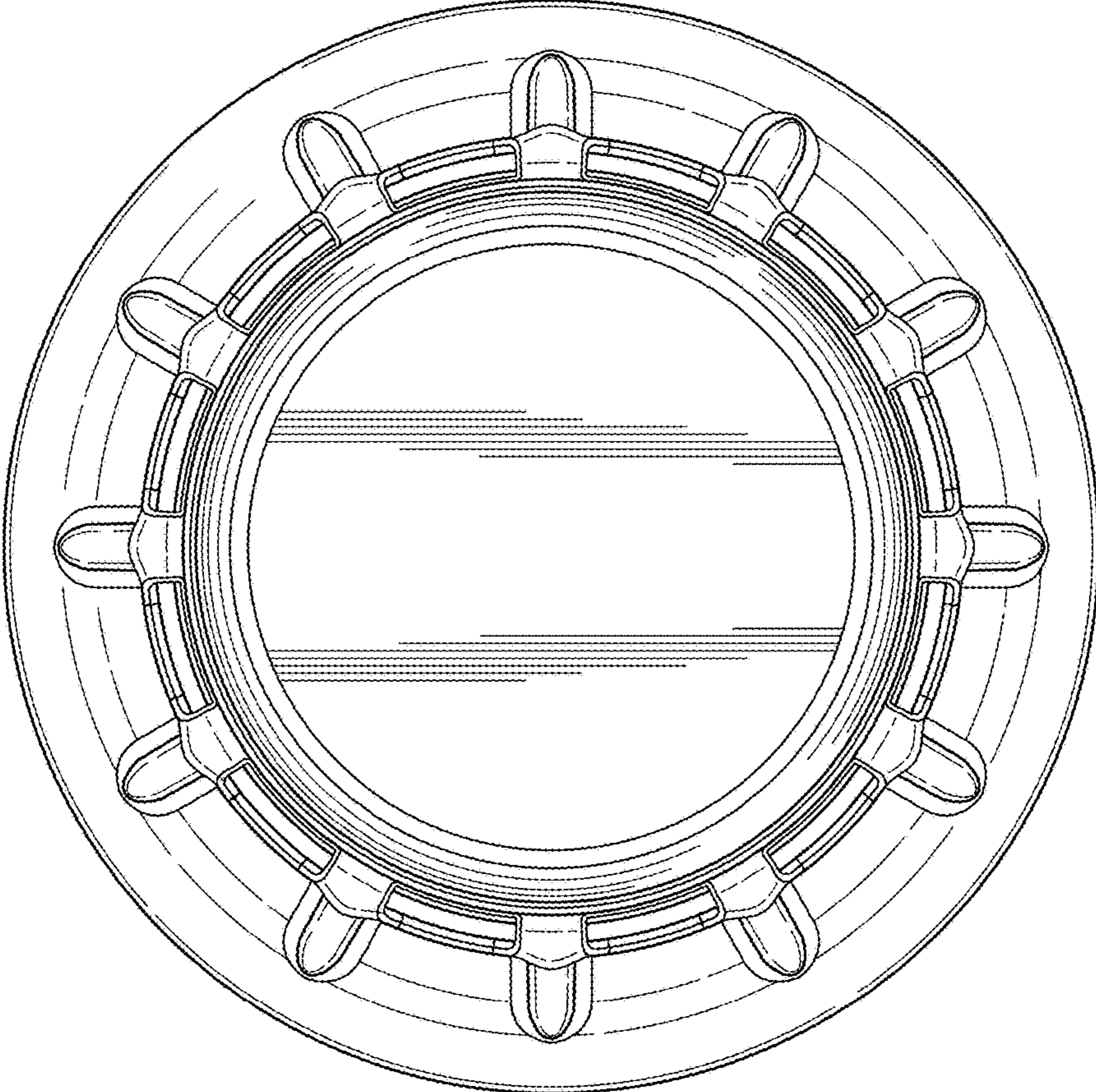


FIG. 4

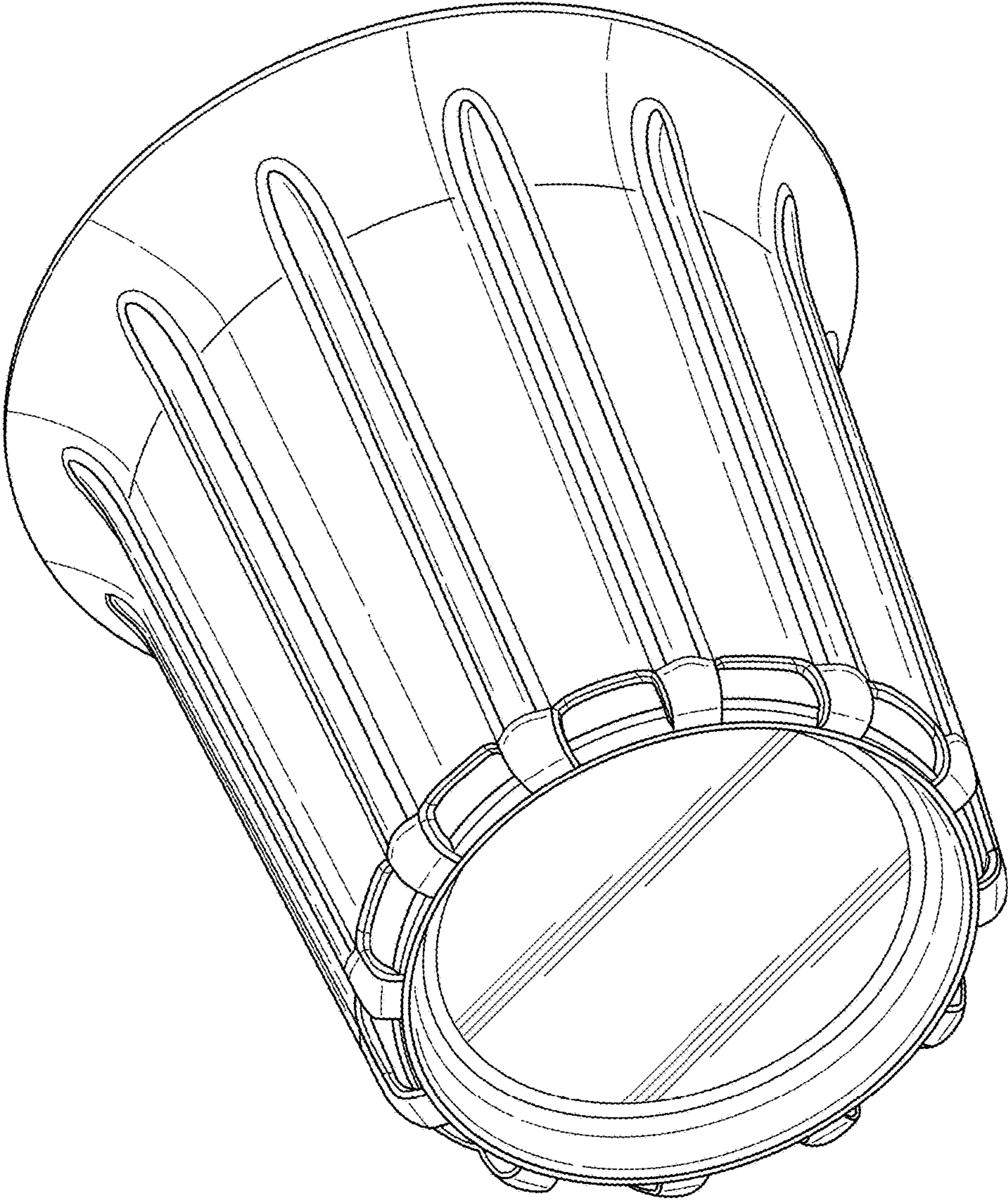


FIG. 5