



US00D782143S

(12) **United States Design Patent** (10) **Patent No.:** **US D782,143 S**  
**Divizinskiy** (45) **Date of Patent:** **\*\* Mar. 21, 2017**

(54) **WASTE RECEPTACLE**  
(71) Applicant: **Vladislav Divizinskiy**, Lincoln, NE (US)  
(72) Inventor: **Vladislav Divizinskiy**, Lincoln, NE (US)  
(\*\*) Term: **15 Years**

D322,993 S \* 1/1992 Hobson ..... D19/75  
D324,122 S \* 2/1992 Brusing ..... D34/1  
5,207,348 A \* 5/1993 Fischer ..... B44D 3/123  
220/697  
D336,703 S \* 6/1993 Mason, Jr. .... D19/81  
D358,914 S \* 5/1995 Masse ..... D32/54  
D391,990 S \* 3/1998 Wolff ..... D19/78  
5,862,932 A 1/1999 Walsh et al.  
(Continued)

(21) Appl. No.: **29/541,475**  
(22) Filed: **Oct. 5, 2015**  
(51) **LOC (10) Cl.** ..... **09-09**  
(52) **U.S. Cl.**  
USPC ..... **D34/1**  
(58) **Field of Classification Search**  
USPC ..... D34/1-11; 220/908, 910, 200, 911,  
220/495.01, 495.04, 495.05, 913,  
220/700-702, DIG. 13, 23.4, 476, 482,  
220/694-697, 359.1; D32/53, 53.1, 54;  
D7/637, 509, 553.1, 554.2, 603-608;  
D19/81, 77, 65, 78, 99, 75, 90, 91, 85;  
D18/34.9; 206/214, 224, 371, 315.11,  
206/541, 505, 503, 507, 518; 47/67;  
215/237, 6; 4/258, 263; D9/756, 749,  
D9/755, 760; D3/304-315, 206, 266;  
D6/756, 694, 698, 710, 744, 745, 749,  
D6/755, 760, 574, 573, 512-514, 668,  
D6/672, 673, 682.1, 553; D14/215;  
379/440, 435, 455; 211/10, 11, 50, 13.1,  
211/42, 45, 46; 248/220.21  
CPC ..... A47B 13/16; B65F 1/00; B65F 2210/104;  
A47F 13/085; A47G 7/044  
See application file for complete search history.

**FOREIGN PATENT DOCUMENTS**

EP 1129951 A1 9/2001  
EP 2556993 A1 2/2013

**OTHER PUBLICATIONS**

Planters Unlimited. "Half-Round Fiberglass Planter.",www.hooksandlattice.com. Web. Jan. 9, 2016.shown in p. 1, Item F1-MDU-HR1818.\*

(Continued)

*Primary Examiner* — Cynthia Ramirez  
*Assistant Examiner* — Gino Colan  
(74) *Attorney, Agent, or Firm* — Robert C. Montgomery; Montgomery Patent & Design, LP.

(57) **CLAIM**

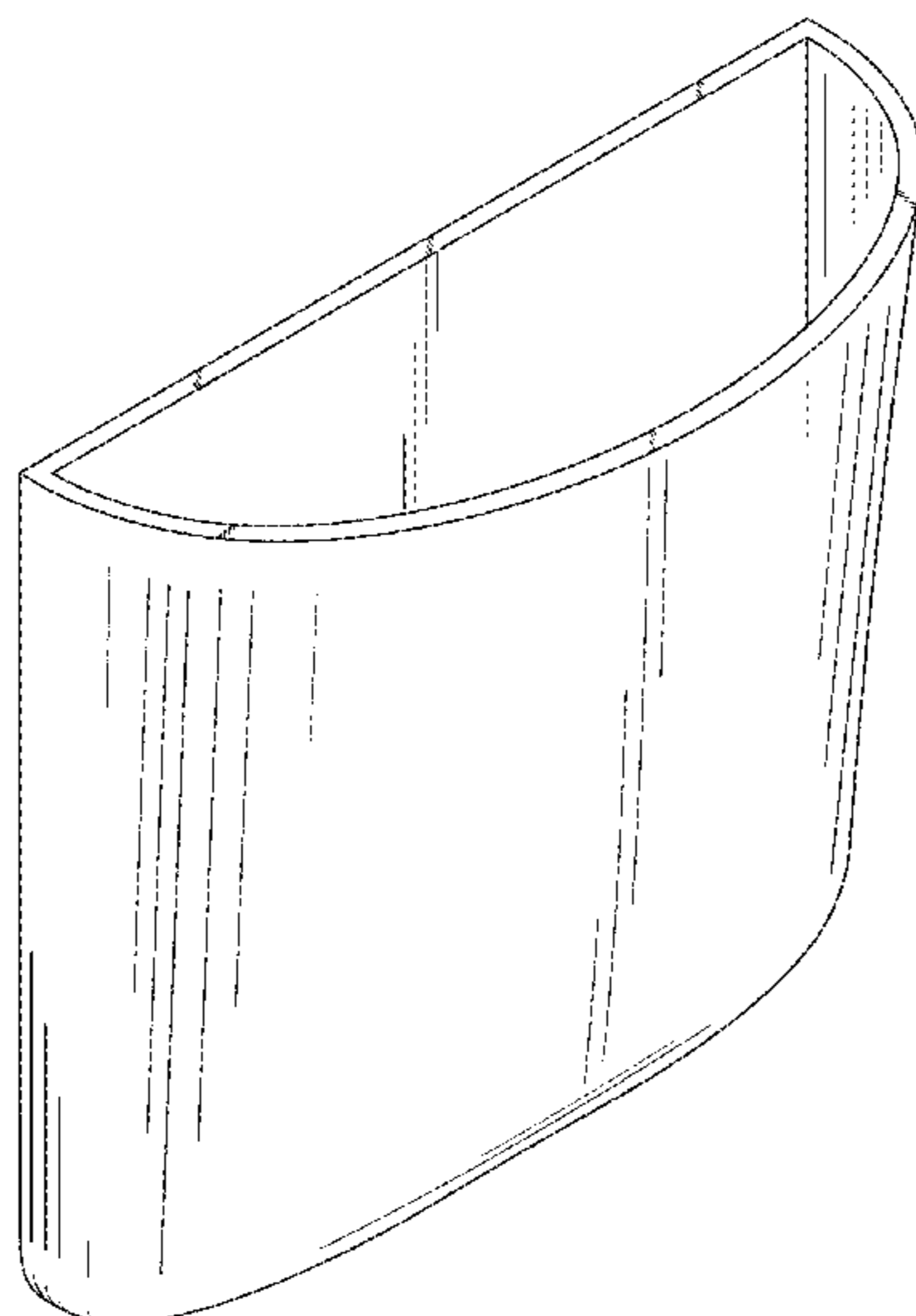
The ornamental design for a waste receptacle, as shown and described.

**DESCRIPTION**

FIG. 1 is a perspective front to top side view of a waste receptacle showing my new design;  
FIG. 2 is a front view thereof;  
FIG. 3 is a back view thereof;  
FIG. 4 is a right side view wherein a left side view is a mirror image of thereof;  
FIG. 5 is a top plan view; and,  
FIG. 6 is a bottom plan view thereof.

(56) **References Cited**  
U.S. PATENT DOCUMENTS  
3,357,614 A 12/1967 Berg  
4,531,246 A 7/1985 Earley

**1 Claim, 6 Drawing Sheets**



(56)

References Cited

U.S. PATENT DOCUMENTS

6,123,214 A \* 9/2000 Goebel ..... B65D 21/0204  
 206/805  
 D444,278 S \* 6/2001 Myers, Jr. .... D32/54  
 D444,816 S \* 7/2001 Stravitz ..... D19/86  
 D486,022 S \* 2/2004 Shamoon ..... D6/553  
 D486,185 S \* 2/2004 Sheldon ..... D19/86  
 6,739,474 B1 5/2004 Wang  
 D498,264 S \* 11/2004 Chen ..... D19/75  
 D501,886 S \* 2/2005 Chen ..... D19/77  
 D535,842 S \* 1/2007 Wood ..... D6/567  
 D589,728 S \* 4/2009 Shaha ..... D3/304  
 D596,900 S \* 7/2009 Kluger ..... D7/509  
 D625,068 S \* 10/2010 Shannon ..... D34/1  
 D704,949 S \* 5/2014 Rodriguez ..... D6/513  
 D710,443 S \* 8/2014 Stravitz ..... D19/90  
 D726,446 S \* 4/2015 Tollasepp ..... D6/553

D727,654 S \* 4/2015 Tollasepp ..... D6/553  
 D774,762 S \* 12/2016 Aller ..... D3/304  
 2007/0194189 A1 \* 8/2007 Stone ..... A47G 7/044  
 248/220.21

OTHER PUBLICATIONS

Rubbermaid. "Rubbermaid 3520 Untouchable 21 Gallon Trash Can." www.cleanitsupply.com. Web. Jan. 9, 2016. shown in p. 1, Item RCP352000GY.\*  
 Sticky Cup. Product Listing [online]. Tomoson.com 2010 [retrieved on Jun. 19, 2015]. Retrieved from the Internet: URL: <http://www.lolidots.com/giveaways/stickey-cup>.  
 Car Trash Bin Car styling Garbage Can Auto Plastic Cylinder Shape Car Garbage Container Box Waste Basket for Lada Priora. Product Listing [online]. AliExpress 2015 [retrieved on Jun. 19, 2015]. Retrieved from the Internet: <http://www.aliexpress.com/item/Car-Trash-Bin-Car-styling-Garbage-Can-Auto-Plastic-Cylinder-Shape-Car-Garbage-Container-Box-Waste/1973365383.html>.

\* cited by examiner

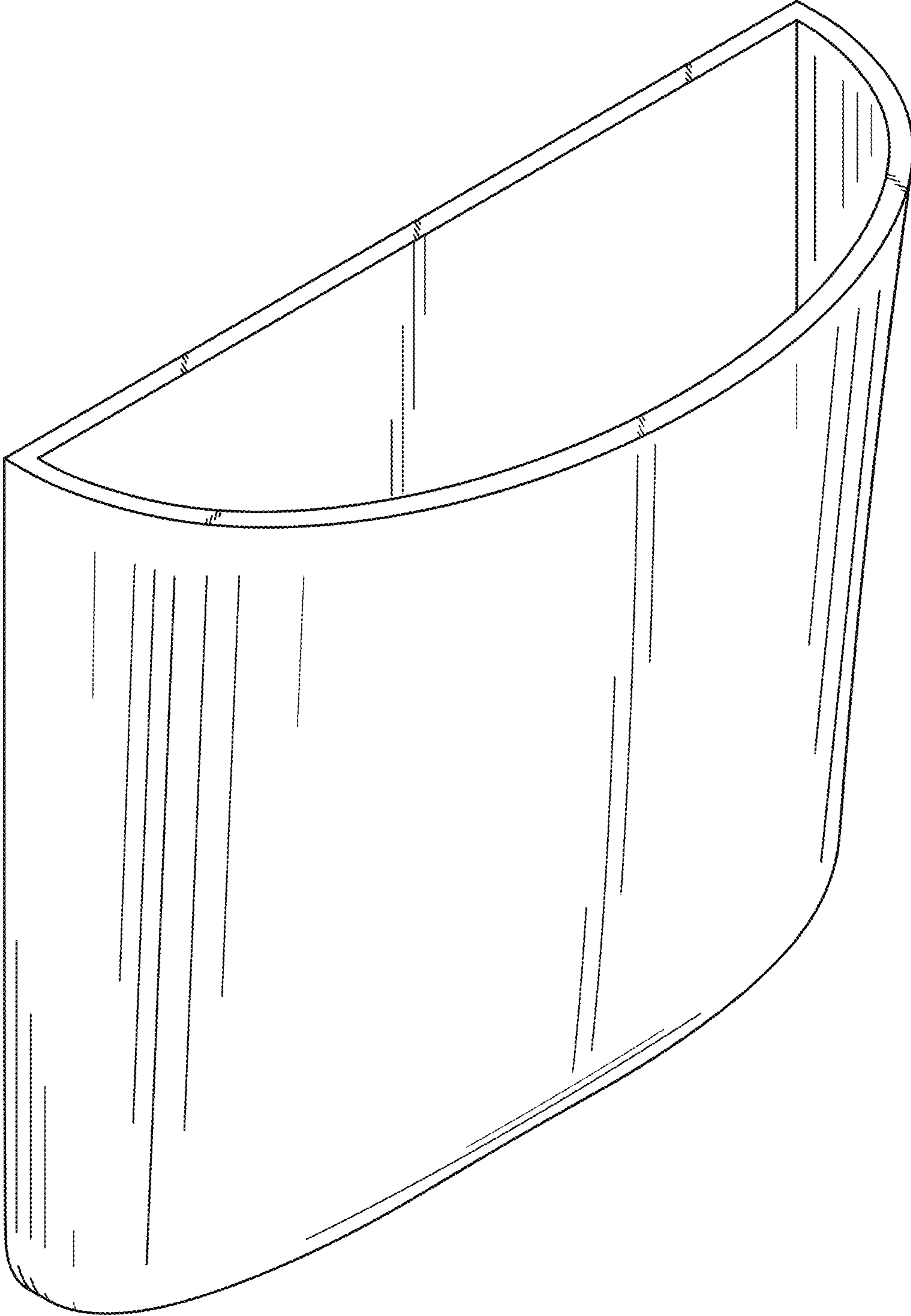


Fig. 1

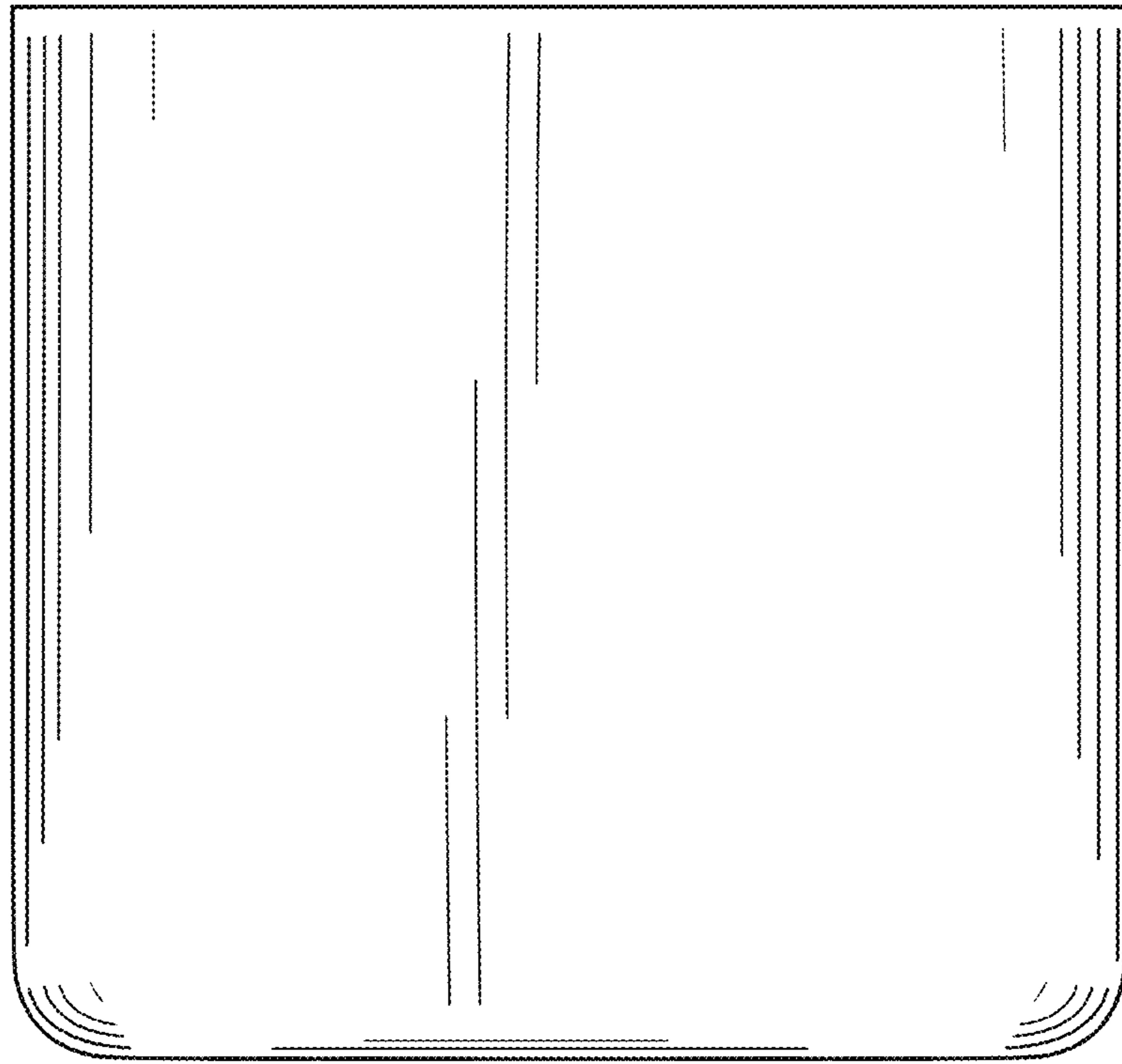


Fig. 2

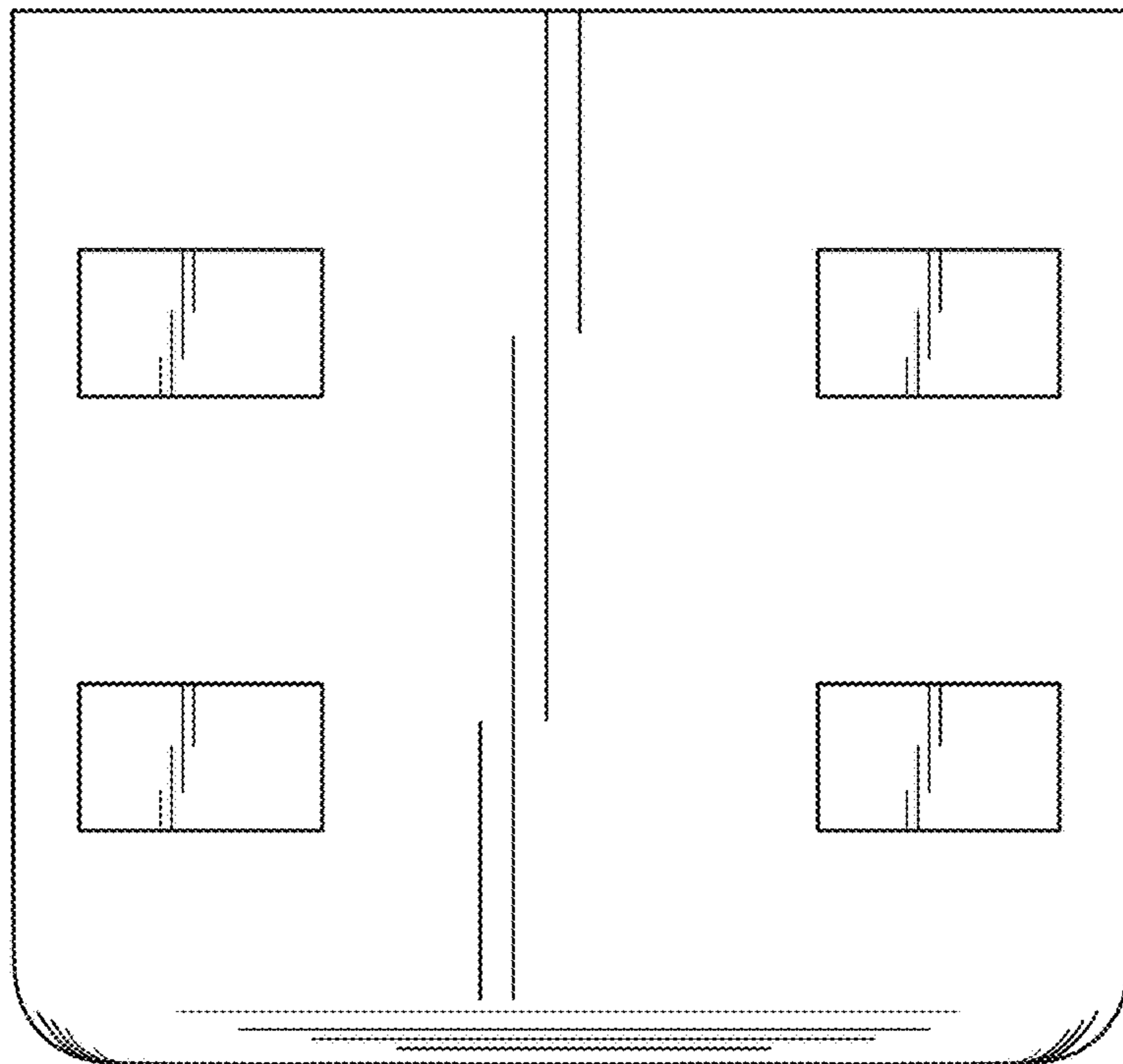


Fig. 3

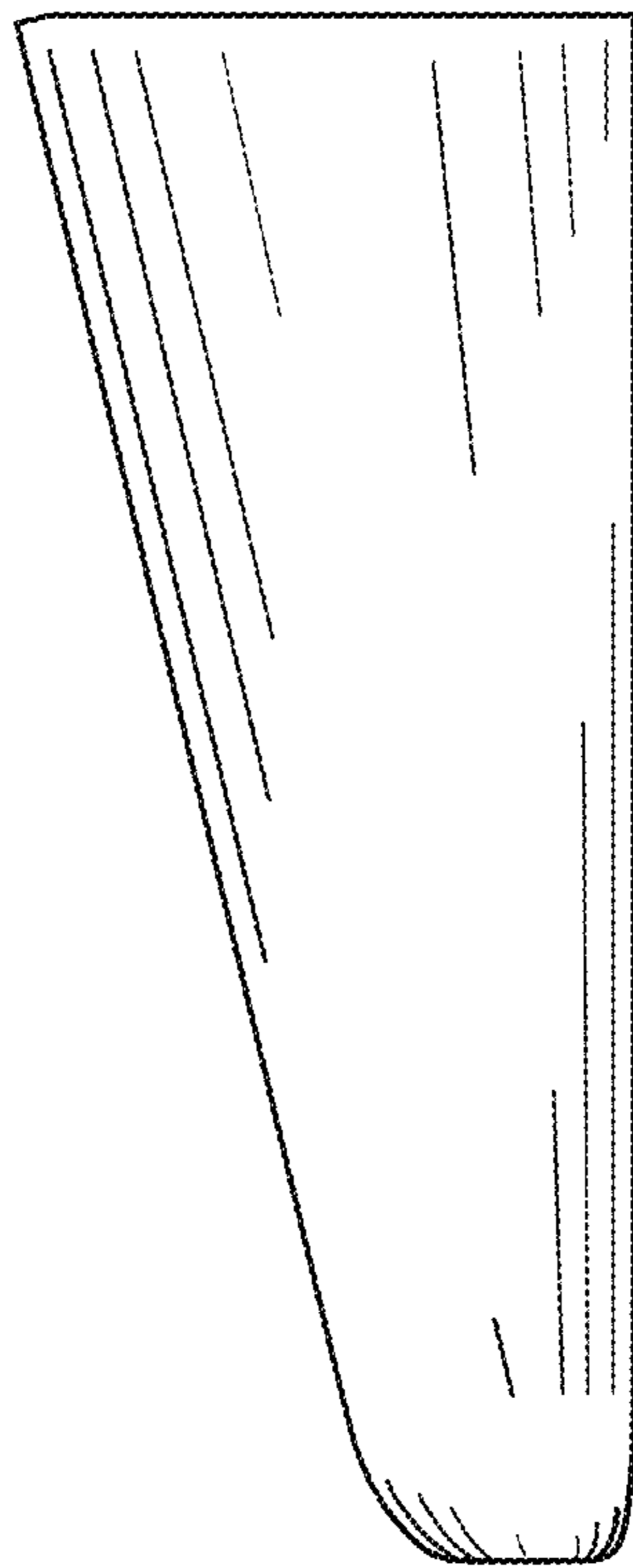


Fig. 4

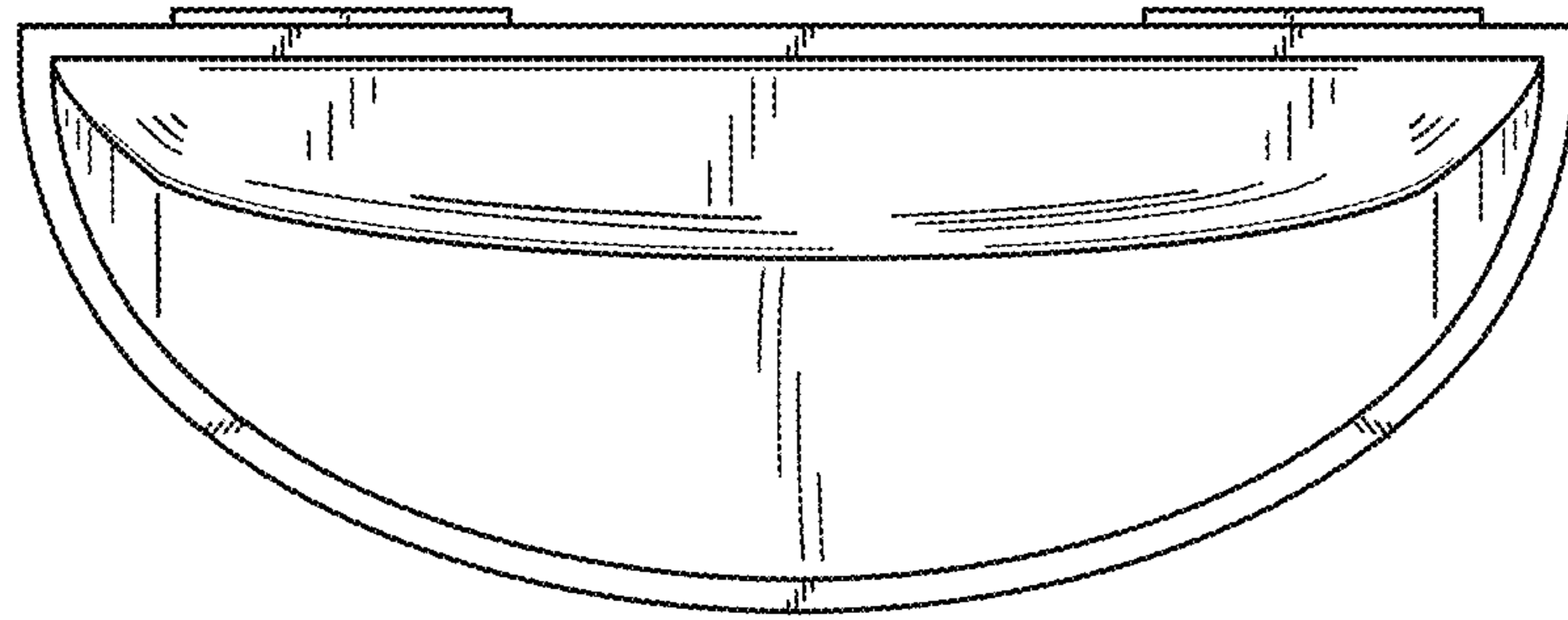


Fig. 5

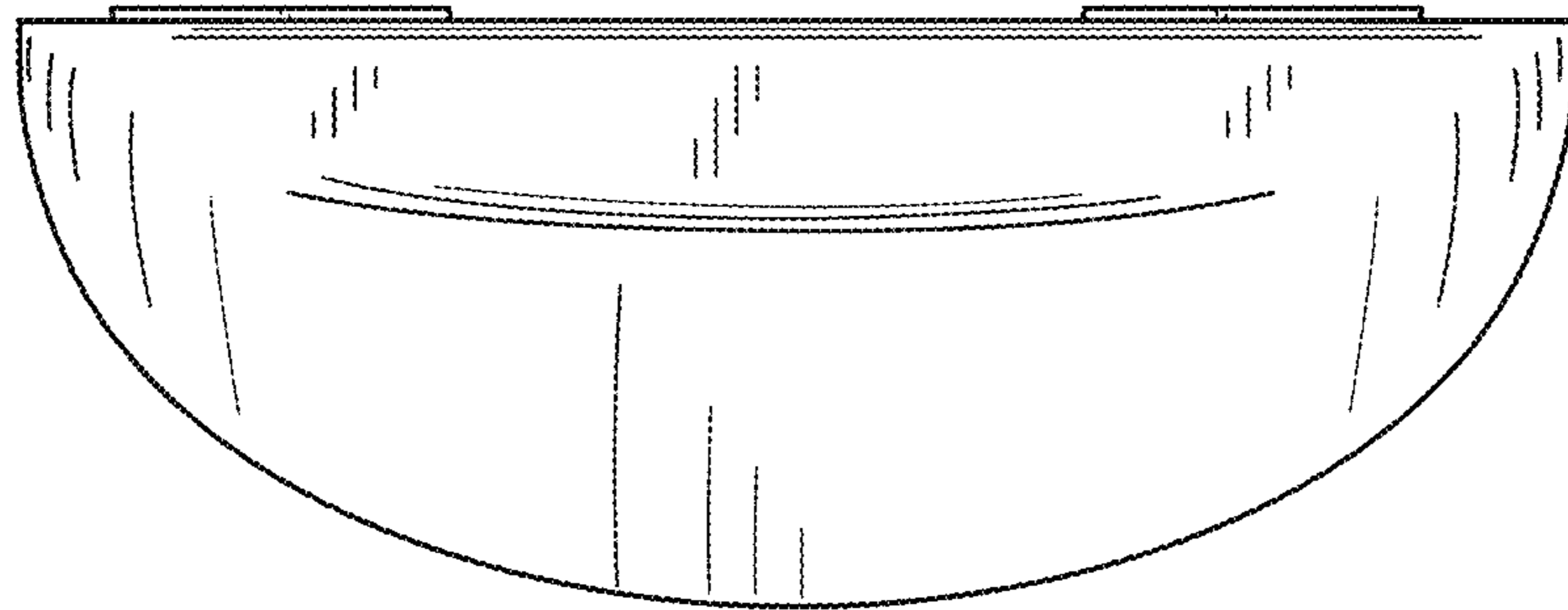


Fig. 6