



US00D782140S

(12) **United States Design Patent** (10) **Patent No.:** **US D782,140 S**
Steen (45) **Date of Patent:** **** Mar. 21, 2017**

(54) **SWEEPER HEAD**
(71) Applicant: **Donovan W. Steen**, Fort Worth, TX (US)
(72) Inventor: **Donovan W. Steen**, Fort Worth, TX (US)
(**) Term: **14 Years**
(21) Appl. No.: **29/525,232**
(22) Filed: **Apr. 28, 2015**
(51) **LOC (10) Cl.** **15-05**
(52) **U.S. Cl.**
USPC **D32/40**
(58) **Field of Classification Search**
USPC D32/35, 38, 40, 42, 44-45, 50-52;
D28/63; D4/118
CPC .. A47L 11/33; A47L 11/4013; A47L 11/4025;
A47L 11/4036; A47L 11/4041; A47L
11/4069; A47L 11/4075; A47L 13/16;
A47L 13/20
See application file for complete search history.

D586,966 S * 2/2009 Nobile D32/40
D588,770 S * 3/2009 Koenig D32/50
D611,212 S * 3/2010 Kaminer D32/40
D657,102 S * 4/2012 Kaleta A47L 11/33
D32/38
D716,010 S * 10/2014 Howard D32/51
D716,513 S * 10/2014 Delis D32/50
D756,581 S * 5/2016 Libman D32/50
D766,529 S * 9/2016 Kim D32/50
2003/0074756 A1* 4/2003 Policicchio A47L 13/16
15/228
2006/0248674 A1* 11/2006 Pisacane A47L 13/20
15/244.3

* cited by examiner

Primary Examiner — Michael A. Pratt
Assistant Examiner — Michelle E Wilson
(74) *Attorney, Agent, or Firm* — James E. Walton

(57) **CLAIM**

The ornamental design for a sweeper head, as shown and described.

DESCRIPTION

FIG. 1 is an oblique view of a sweeper head according to the present application, the broken lines indicating an attached swivel and handle.

FIG. 2 is a front view of the sweeper head of FIG. 1.

FIG. 3 is a rear view of the sweeper head of FIG. 1.

FIG. 4 is a right side view of the sweeper head of FIG. 1.

FIG. 5 is a left side view of the sweeper head of FIG. 1.

FIG. 6 is a top view of the sweeper head of FIG. 1; and,

FIG. 7 is a bottom view of the sweeper head of FIG. 1.

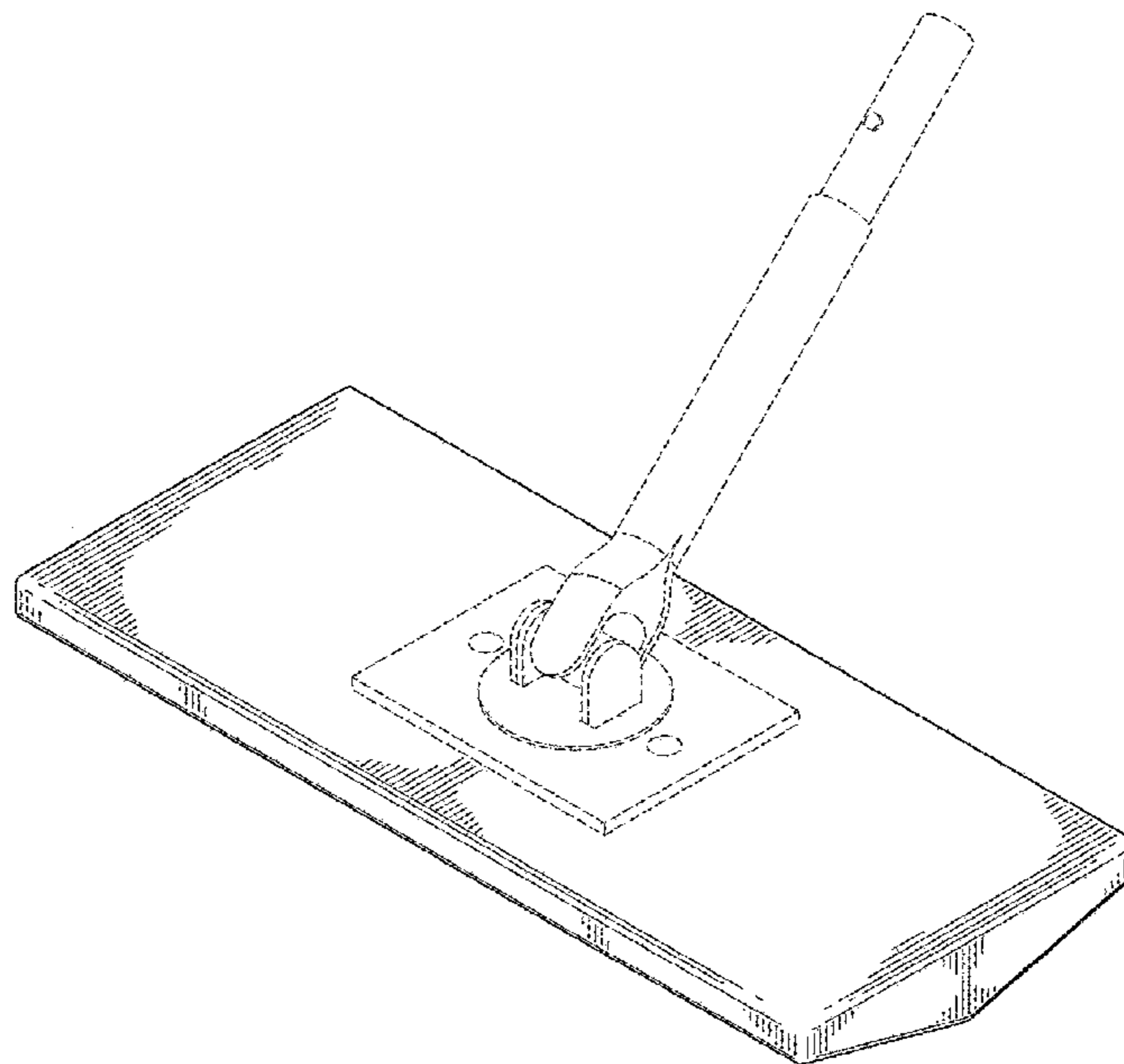
The broken lines are included for the purpose of illustrating environmental structure and form no part of the claimed design.

1 Claim, 4 Drawing Sheets

(56) **References Cited**

U.S. PATENT DOCUMENTS

D245,473 S * 8/1977 Heninger D32/50
D302,759 S * 8/1989 Batchelor D32/44
D374,750 S * 10/1996 Vanderhoef D32/50
D423,742 S * 4/2000 Kingry D32/40
D490,952 S * 6/2004 Ajluni D32/50
D514,267 S * 1/2006 Tsai D32/45
D544,668 S * 6/2007 Harper D32/51
D549,414 S * 8/2007 Van Lanningham, Jr. D32/50
D549,415 S * 8/2007 Trotter D32/50
D556,406 S * 11/2007 Murphy, Jr. D32/40
D586,965 S * 2/2009 Libman D32/40



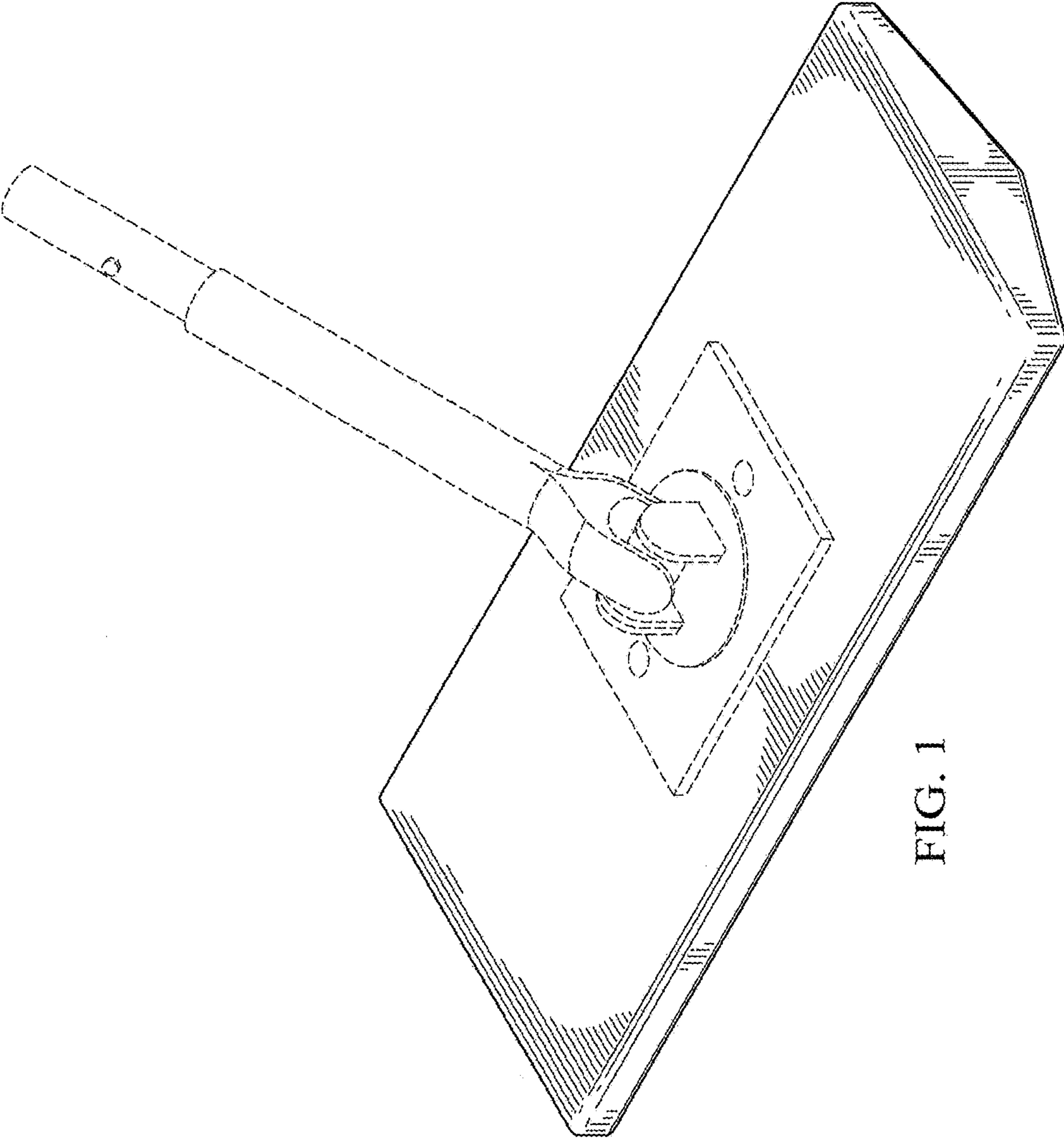
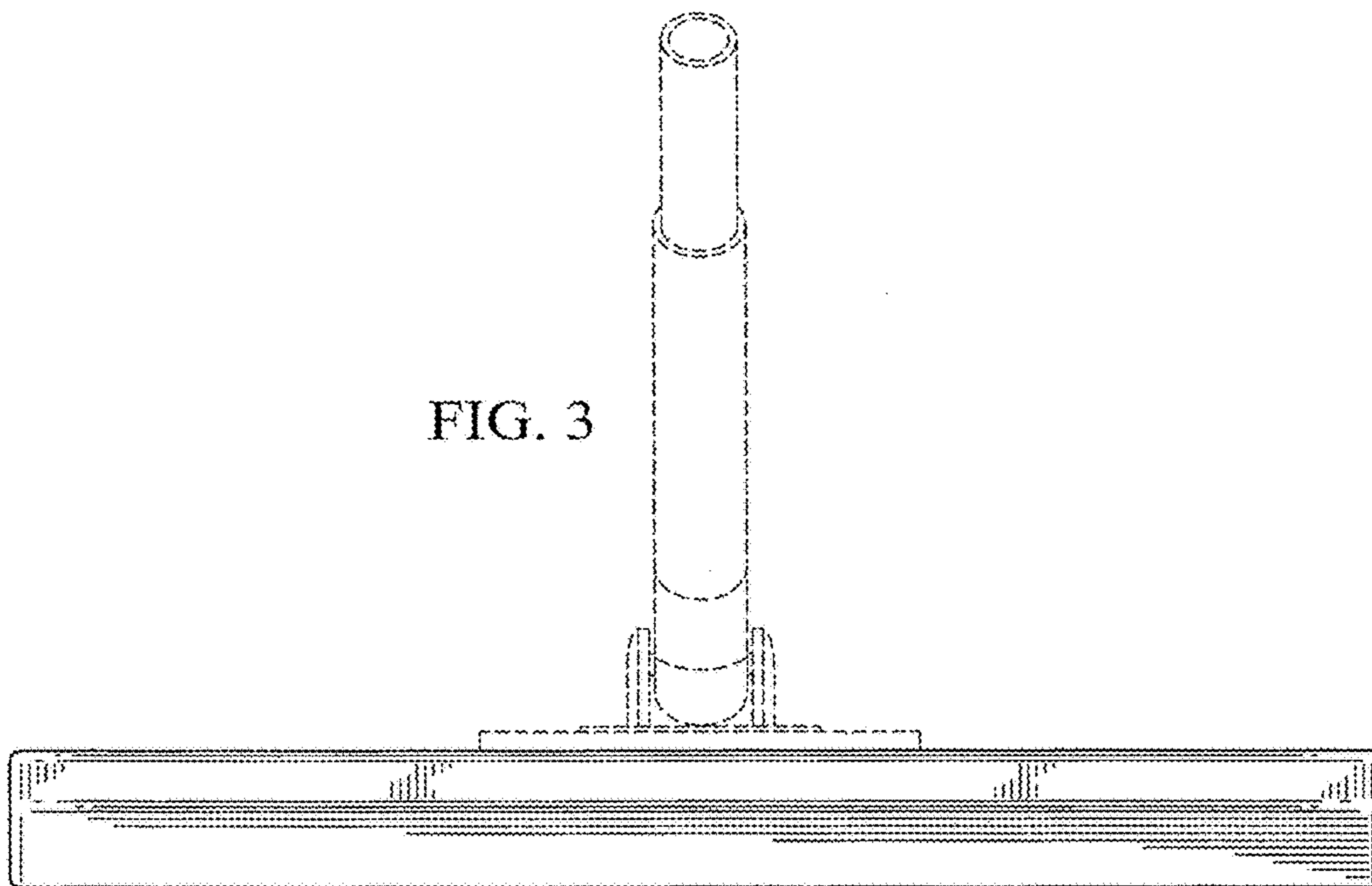
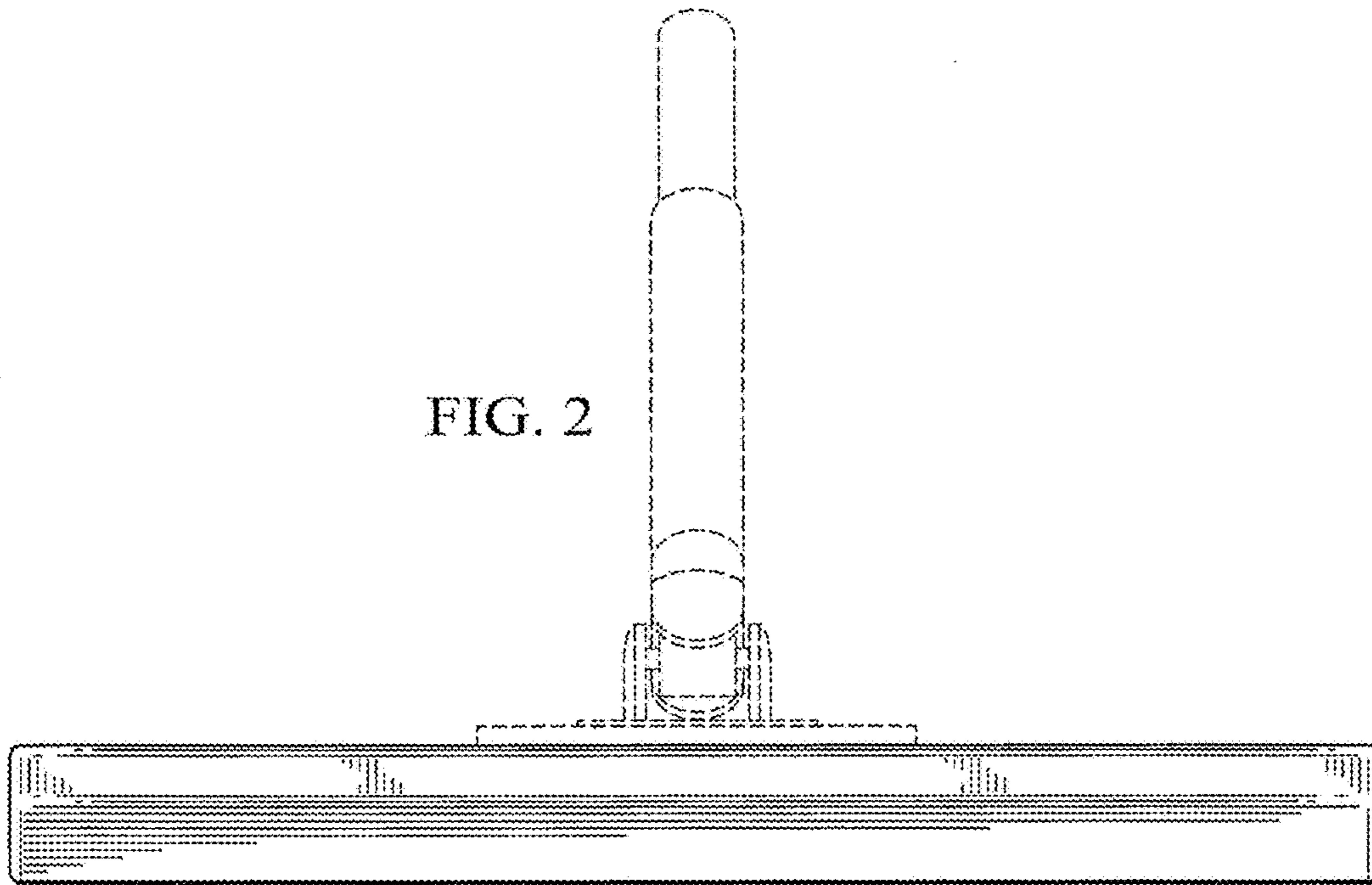


FIG. 1



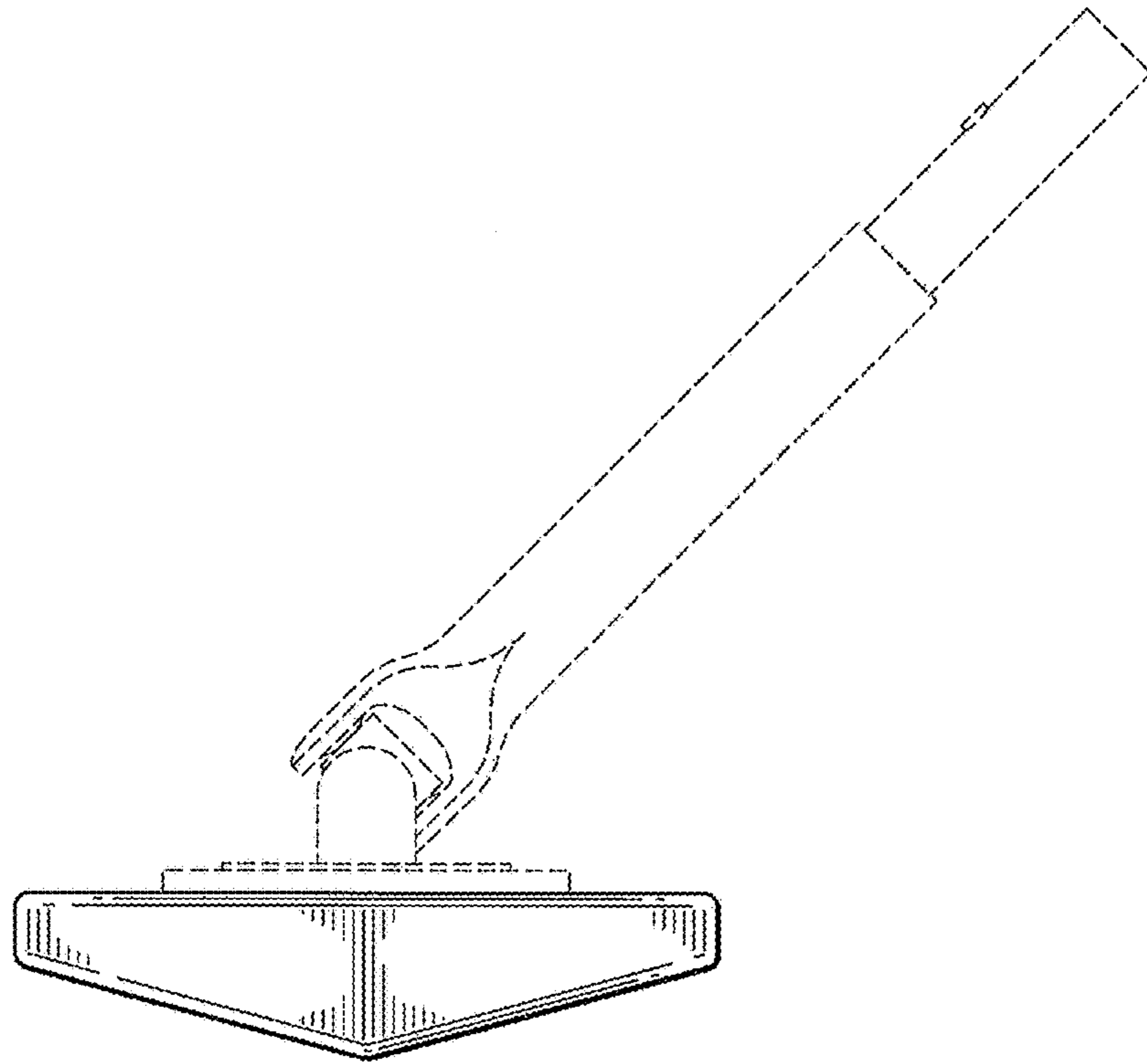


FIG. 4

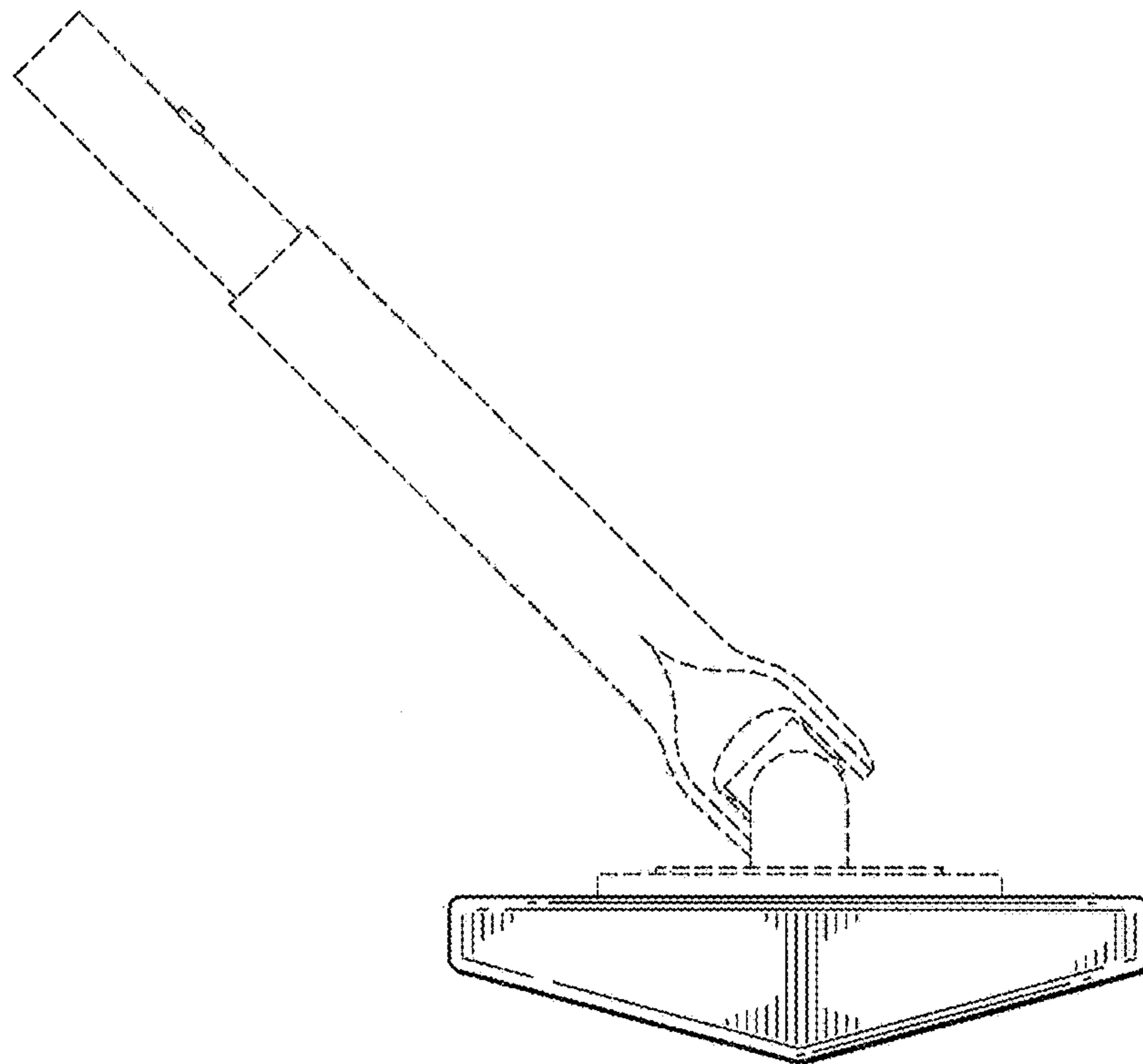


FIG. 5

FIG. 6

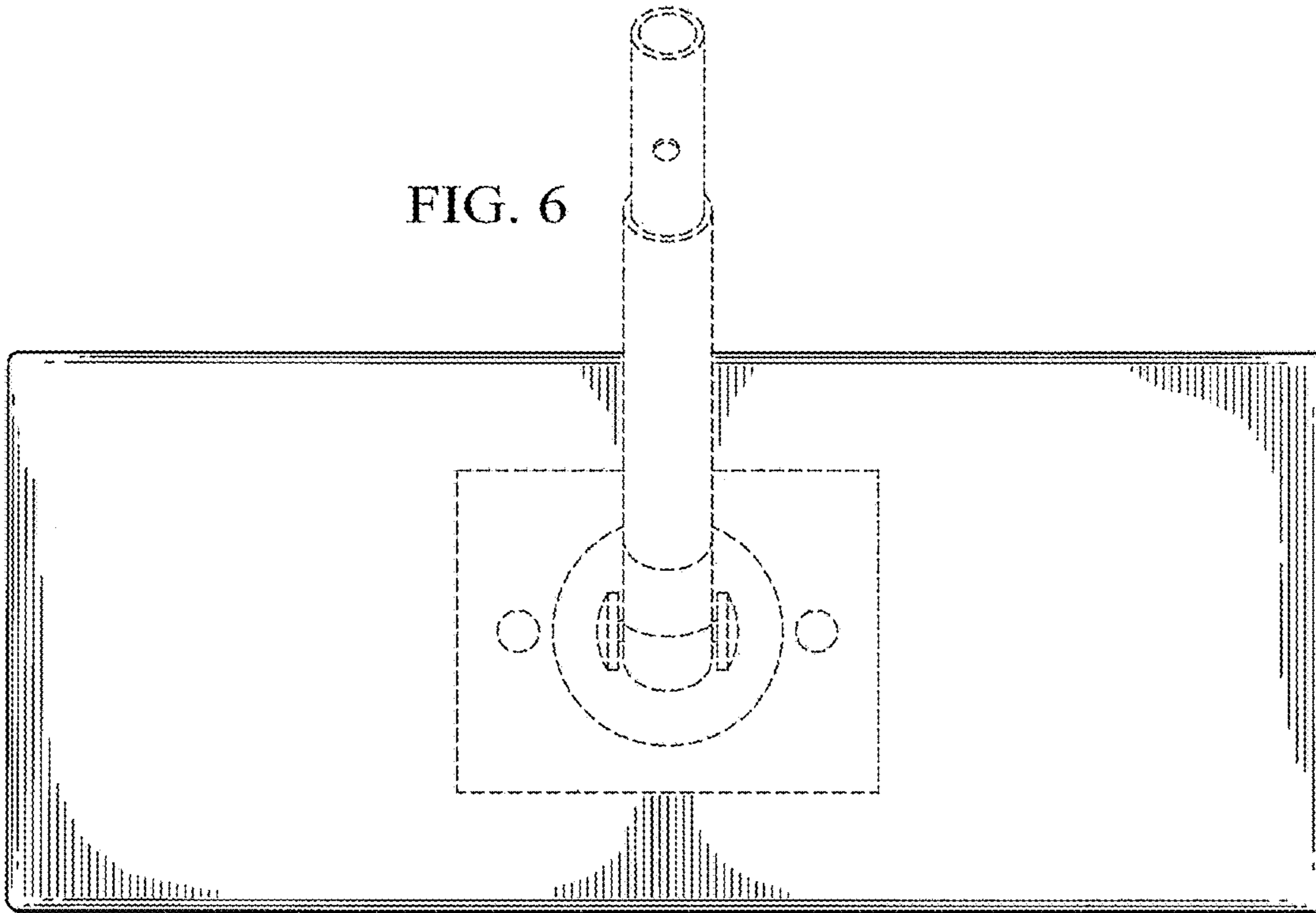


FIG. 7

