



US00D782135S

(12) **United States Design Patent**  
**Mitchell et al.**

(10) **Patent No.:** **US D782,135 S**

(45) **Date of Patent:** **\*\* Mar. 21, 2017**

(54) **VACUUM CLEANER**

(71) Applicant: **Dyson Technology Limited**, Wiltshire (GB)

(72) Inventors: **Joanne Katy Mitchell**, Swindon (GB); **Paul Dawson**, Scunthorpe (GB); **James Dyson**, Bristol (GB); **Peter David Gammack**, Swindon (GB)

(73) Assignee: **Dyson Technology Limited**, Malmesbury, Wiltshire (GB)

(\*\*) Term: **14 Years**

(21) Appl. No.: **29/519,121**

(22) Filed: **Mar. 2, 2015**

(30) **Foreign Application Priority Data**

Aug. 28, 2014 (EM) ..... 001419949-0002

(51) **LOC (10) Cl.** ..... **15-05**

(52) **U.S. Cl.**  
USPC ..... **D32/31**

(58) **Field of Classification Search**

USPC ..... D32/18, 21-24, 31  
CPC . A47L 9/16; A47L 9/20; A47L 9/1683; A47L 9/1666; A47L 9/1608; A47L 9/2857; A47L 9/2842; A47L 9/2836; A47L 9/2847; A47L 9/2852; A47L 5/28; A47L 7/0038; G06N 3/008; E04H 4/1654

See application file for complete search history.

(56) **References Cited**

**U.S. PATENT DOCUMENTS**

6,228,151 B1 \* 5/2001 Conrad ..... A47L 9/1683  
55/424  
D710,558 S \* 8/2014 Mitchell ..... D32/21

D710,559 S \* 8/2014 Mitchell ..... D32/21  
D718,911 S \* 12/2014 Vanderstegen-Drake ..... D23/21  
D753,356 S \* 4/2016 Vanderstegen-Drake ..... D32/21  
2013/0305483 A1 \* 11/2013 Dyson ..... A47L 9/122  
15/353  
2013/0305484 A1 \* 11/2013 Dyson ..... A47L 9/009  
15/353  
2016/0000282 A1 \* 1/2016 Vanderstegen-Drake A47L 9/009  
280/6.157  
2016/0058259 A1 \* 3/2016 Mitchell ..... A47L 9/1633  
15/353  
2016/0058261 A1 \* 3/2016 Dyson ..... A47L 7/00  
96/423

\* cited by examiner

*Primary Examiner* — Ruth McInroy

(74) *Attorney, Agent, or Firm* — Morrison & Foerster LLP

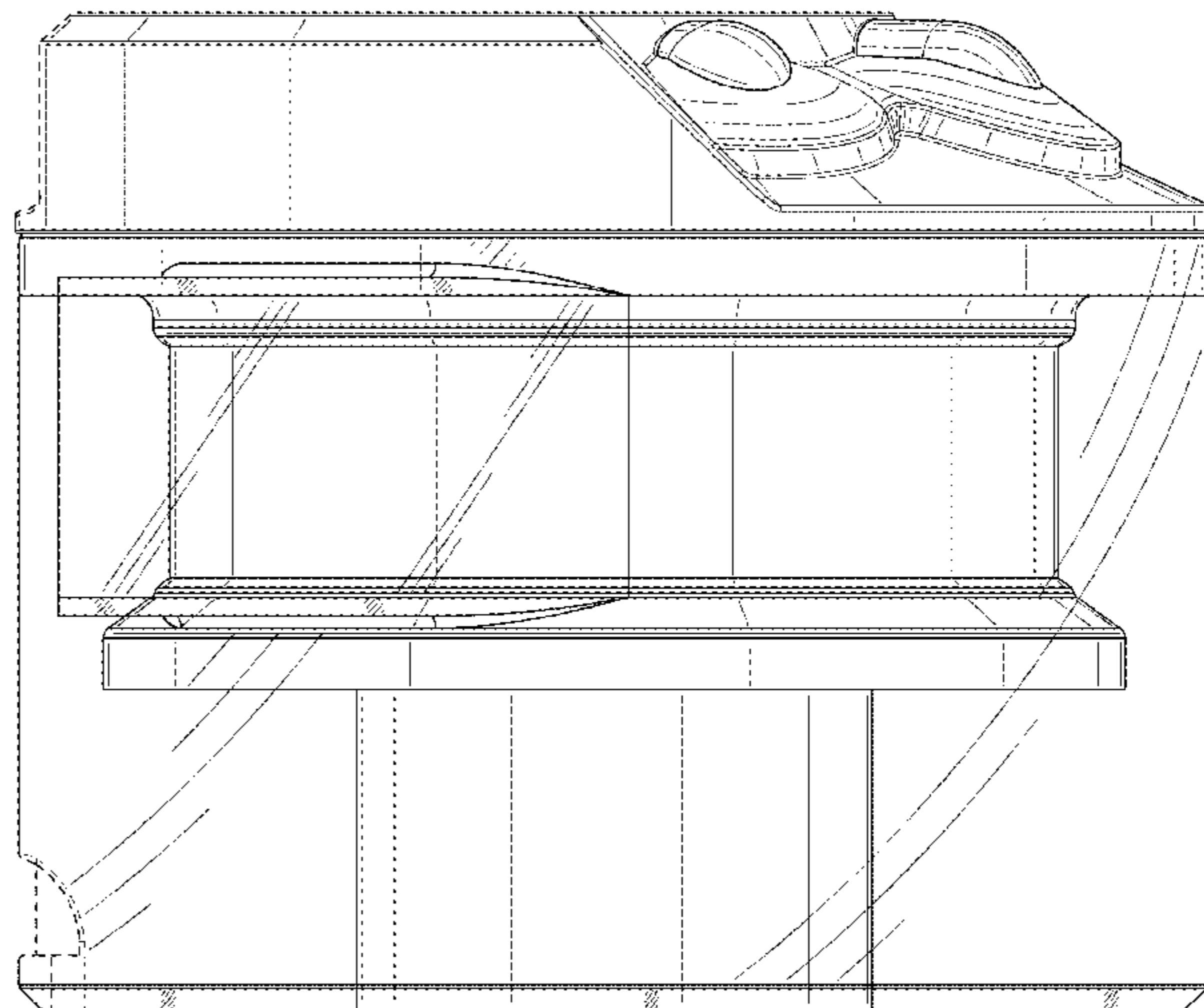
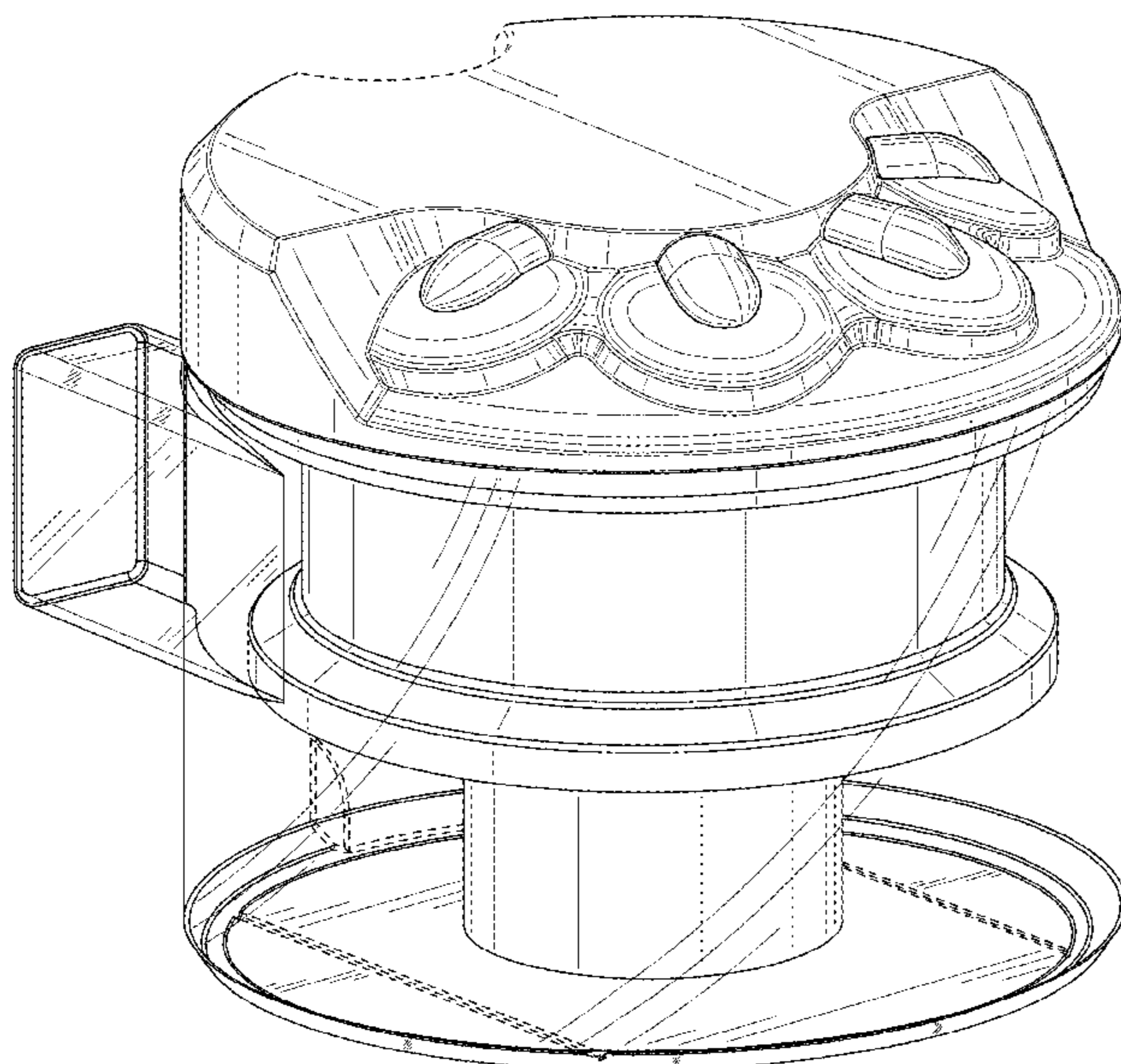
(57) **CLAIM**

We claim the ornamental design for a vacuum cleaner, as shown and described.

**DESCRIPTION**

FIG. 1 is a perspective view of a vacuum cleaner showing our new design;  
FIG. 2 is a front view thereof;  
FIG. 3 is a rear view thereof;  
FIG. 4 is a side view thereof;  
FIG. 5 is a side view of the opposite side of FIG. 4; and,  
FIG. 6 is a top view thereof.  
The details shown in broken lines form no part of the claimed design.

**1 Claim, 6 Drawing Sheets**



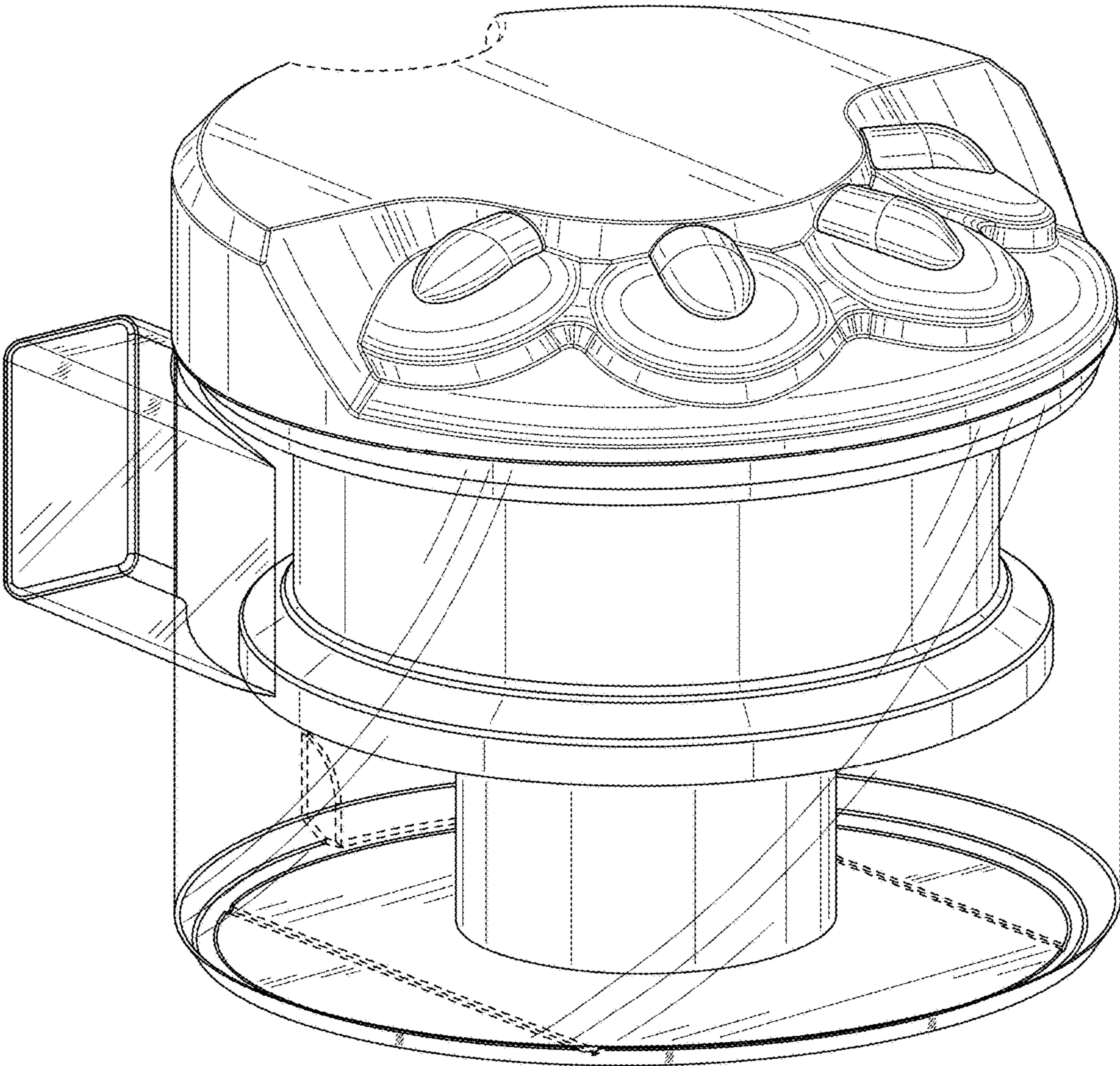


FIG. 1

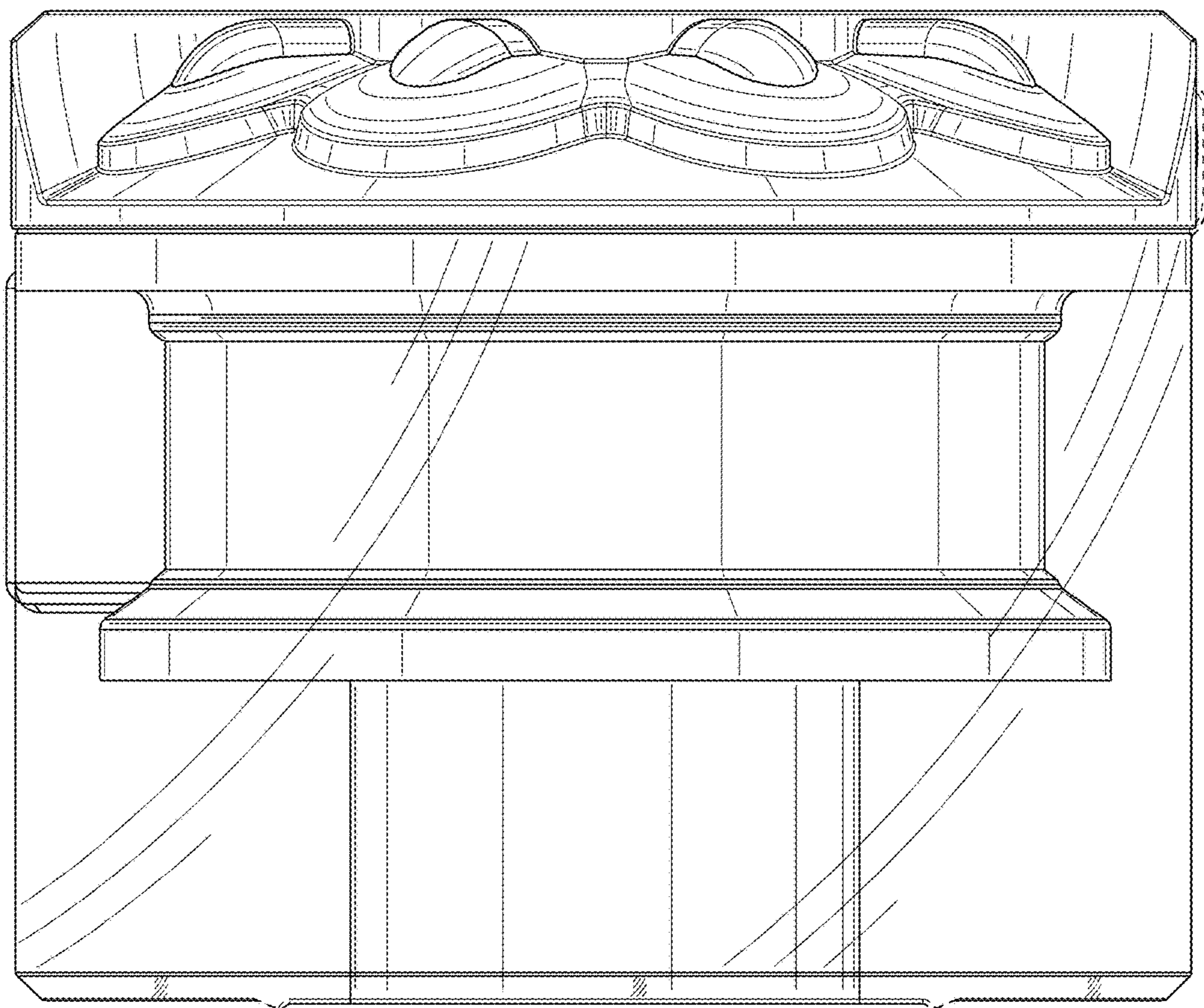


FIG. 2

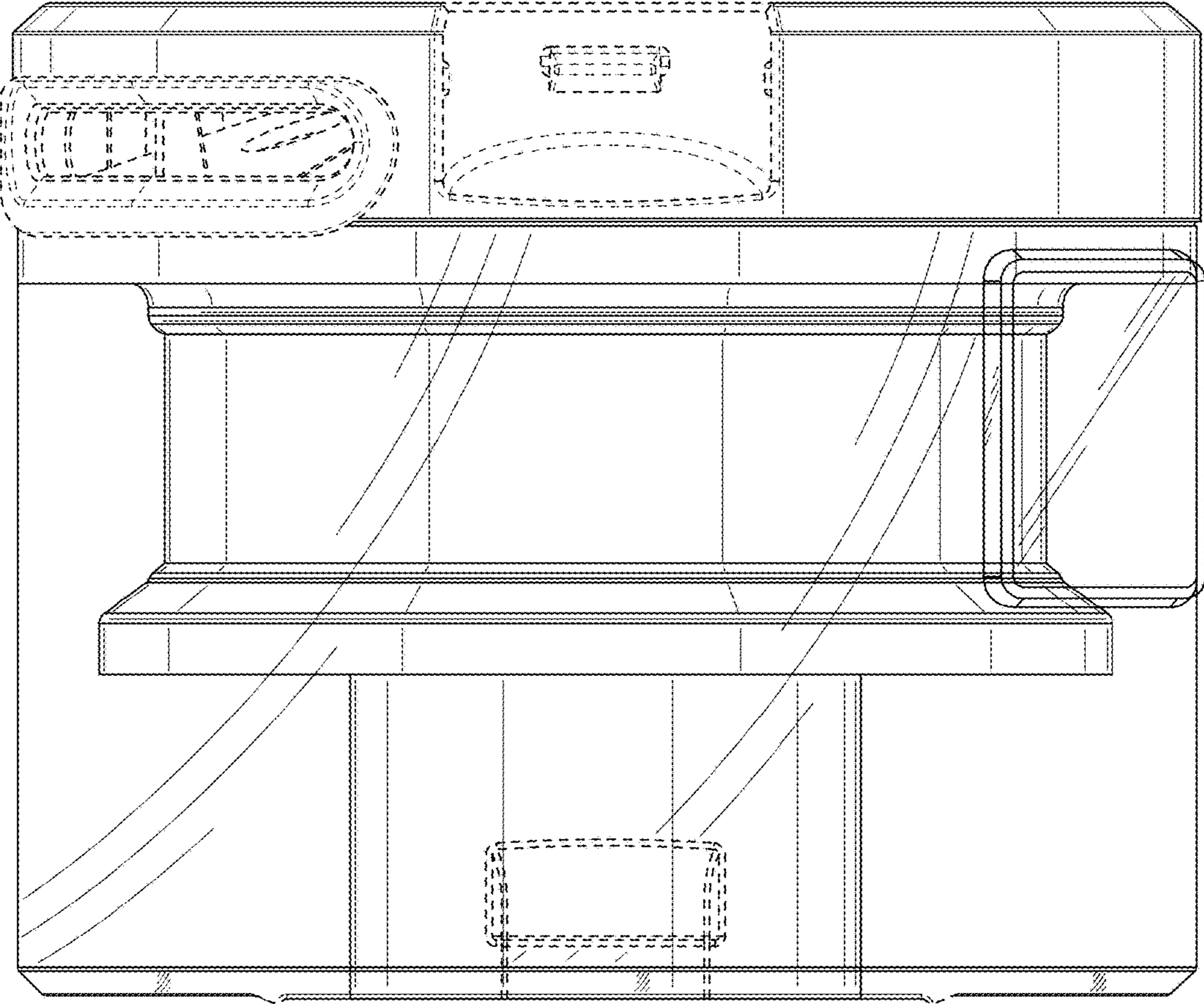


FIG. 3

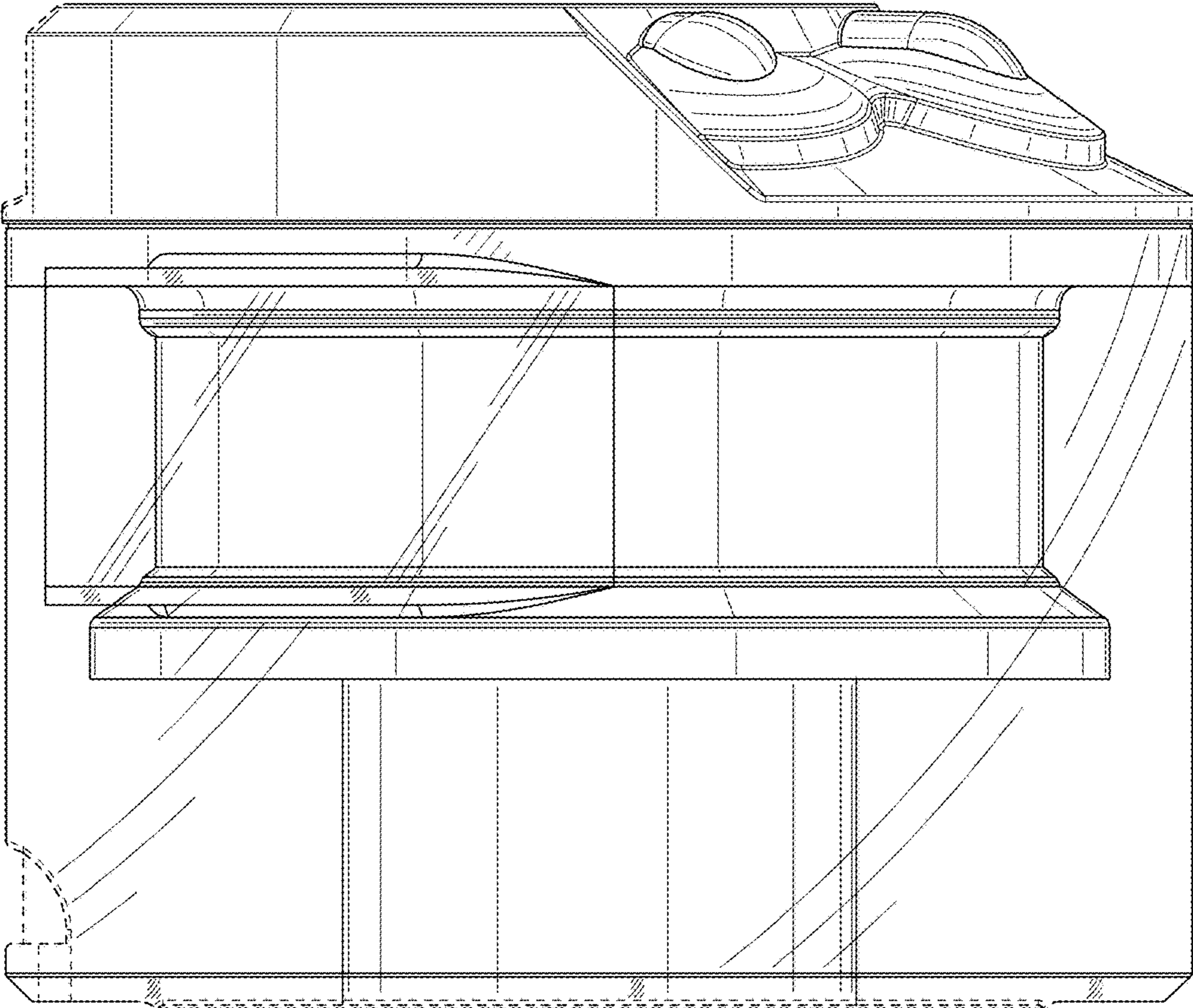


FIG. 4

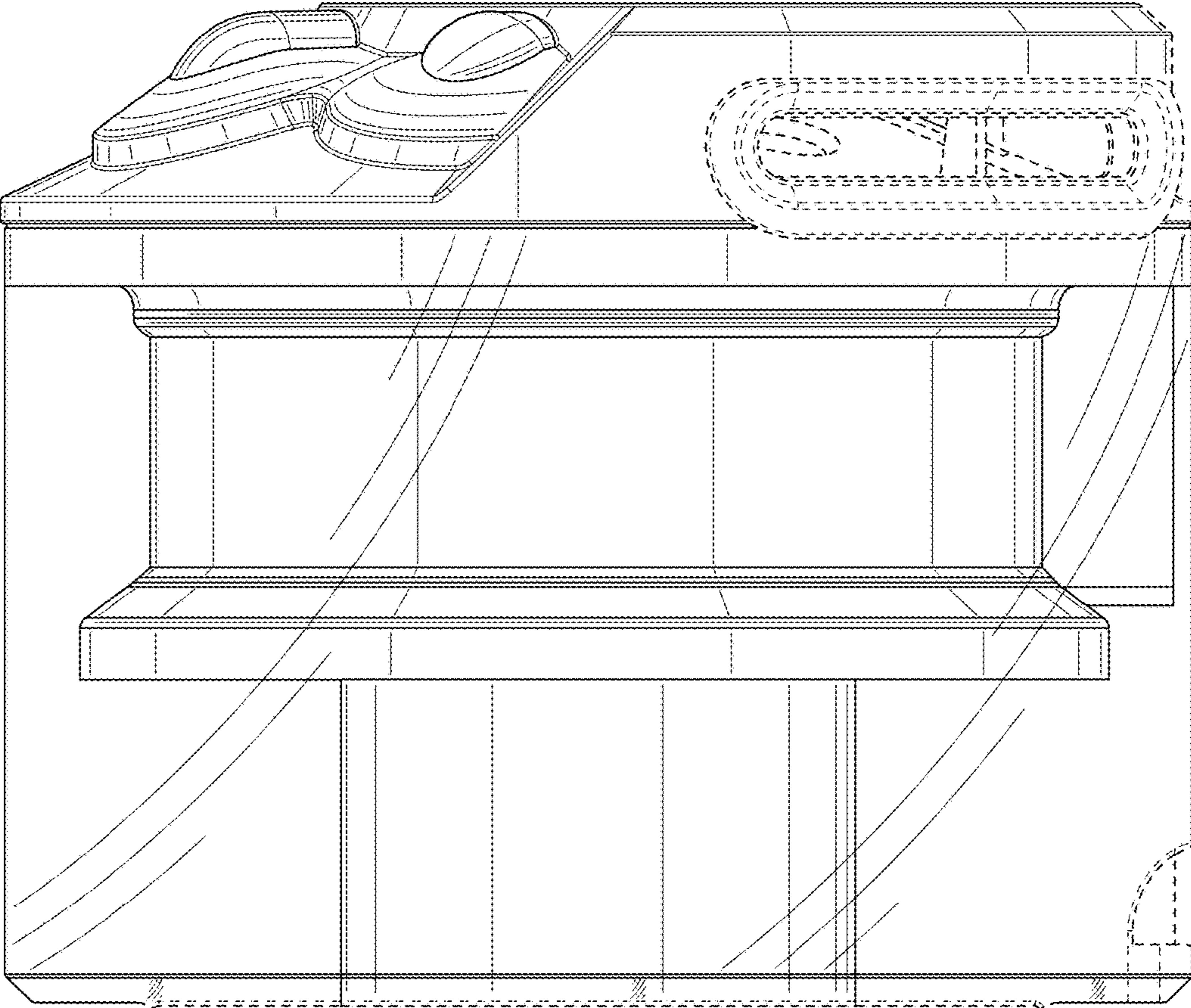


FIG. 5

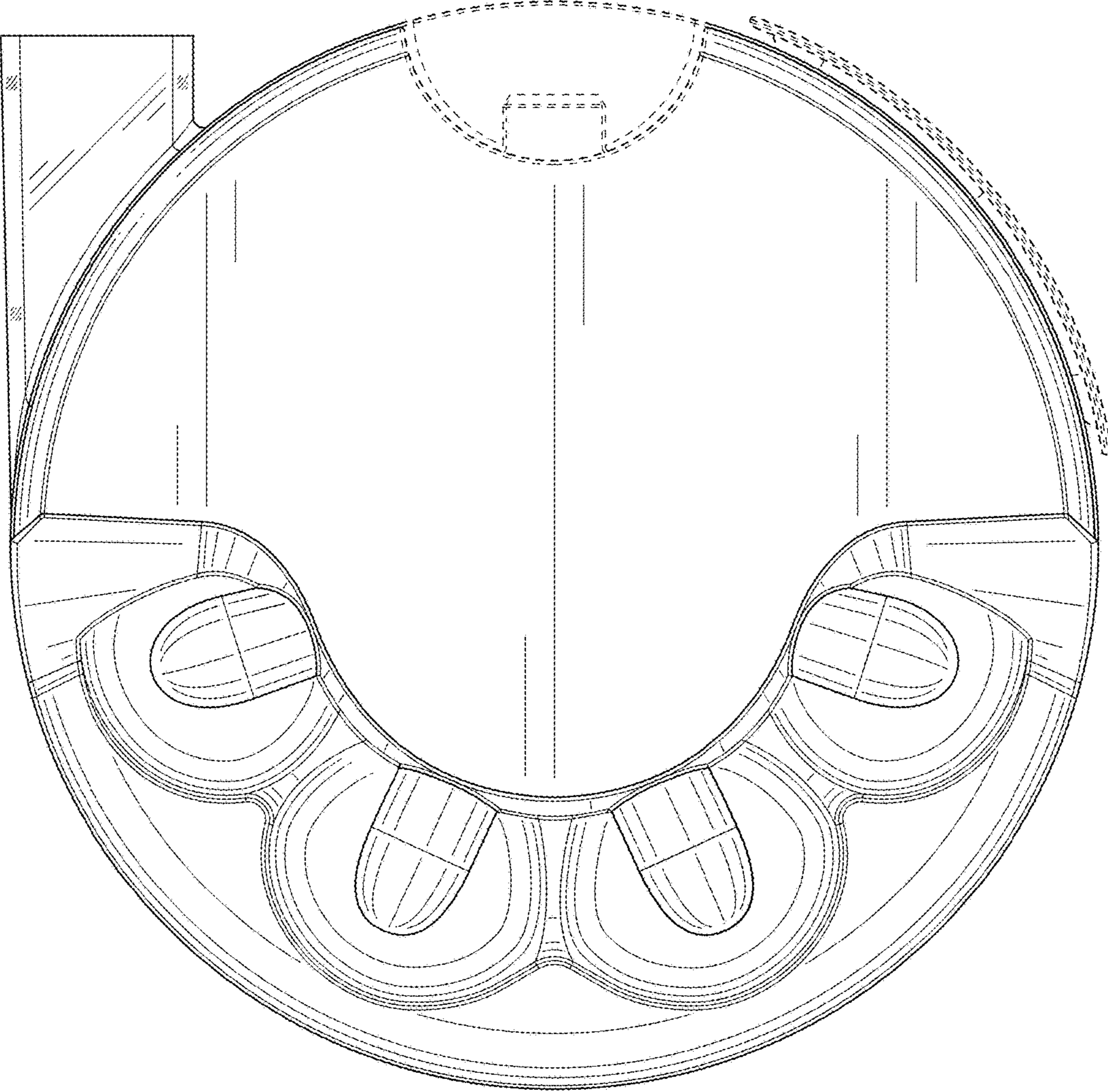


FIG. 6