



US00D782134S

(12) **United States Design Patent**
Bu et al.

(10) **Patent No.:** **US D782,134 S**
(45) **Date of Patent:** **** Mar. 21, 2017**

(54) **DUST CANISTER**

(71) Applicant: **Samsung Electronics Co., Ltd.**,
Suwon-si, Gyeonggi-do (KR)

(72) Inventors: **Minhyouk Bu**, Seoul (KR); **Sanghun Yoon**, Seoul (KR); **Jaewon Choi**, Seoul (KR)

(73) Assignee: **SAMSUNG ELECTRONICS CO., LTD.**, Suwon-si, Gyeonggi-Do (KR)

(**) Term: **15 Years**

(21) Appl. No.: **29/531,693**

(22) Filed: **Jun. 29, 2015**

(30) **Foreign Application Priority Data**

Jan. 20, 2015 (KR) 30-2015-0002763

(51) **LOC (10) Cl.** **15-05**

(52) **U.S. Cl.**
USPC **D32/18**

(58) **Field of Classification Search**
USPC D32/17-18, 21, 31
CPC A47L 5/24; A47L 5/28; A47L 7/0038
See application file for complete search history.

(56) **References Cited**

U.S. PATENT DOCUMENTS

D214,339 S * 6/1969 Fossella D32/18
D215,874 S * 11/1969 Averitt D32/18

D743,123 S * 11/2015 Chu D32/18
D749,283 S * 2/2016 Kim D32/18
D752,831 S * 3/2016 Kim D32/18
D760,969 S * 7/2016 Kim D32/18
2011/0314631 A1 * 12/2011 Conrad A47L 5/225
15/347

* cited by examiner

Primary Examiner — Ruth McInroy

(74) *Attorney, Agent, or Firm* — Ladas & Parry LLP

(57) **CLAIM**

We claim the ornamental design for a dust canister, as shown and described.

DESCRIPTION

FIG. 1 is the front perspective view of a dust canister showing our new design; FIG. 2 is the front view thereof; FIG. 3 is the rear view thereof; FIG. 4 is the left-side view thereof; FIG. 5 is the right-side view thereof; FIG. 6 is the top plan view thereof; FIG. 7 is the bottom plan view thereof; and, FIG. 8 is the rear-bottom perspective view thereof. The broken lines in the drawings show parts of the dust canister that form no part of the claimed design. The shaded surfaces shown between the solid lines and the broken lines form part of the claim.

1 Claim, 8 Drawing Sheets

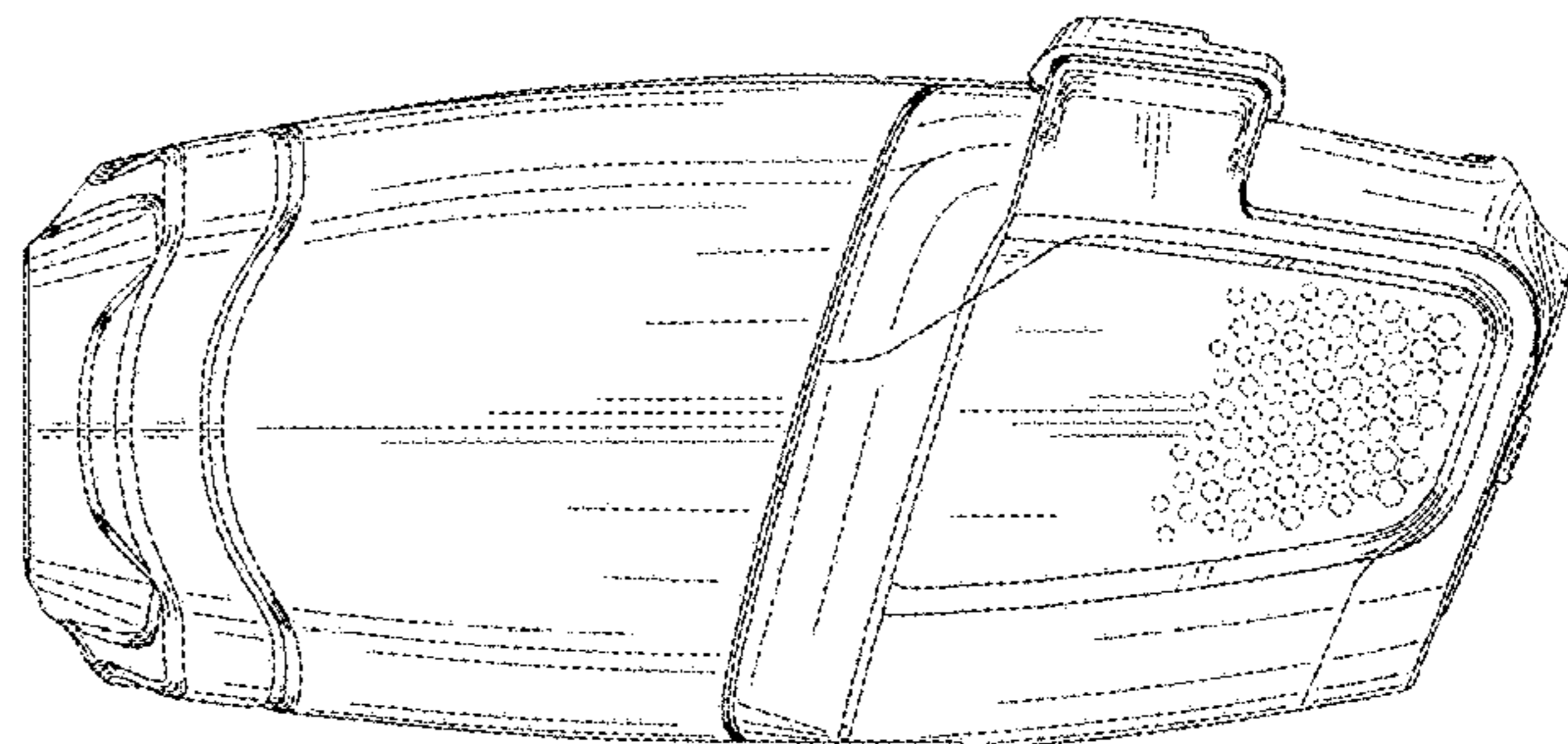
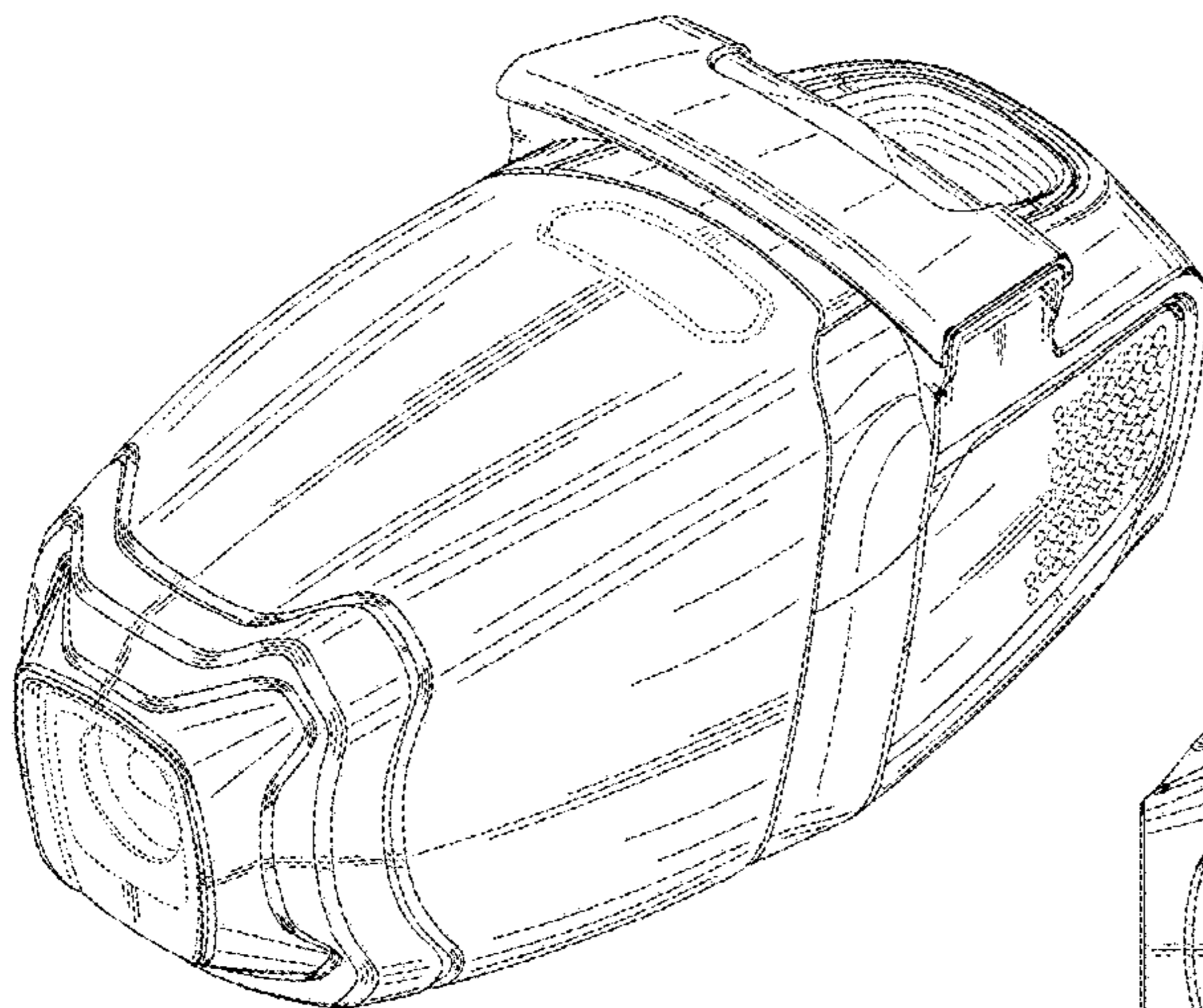


FIG. 1

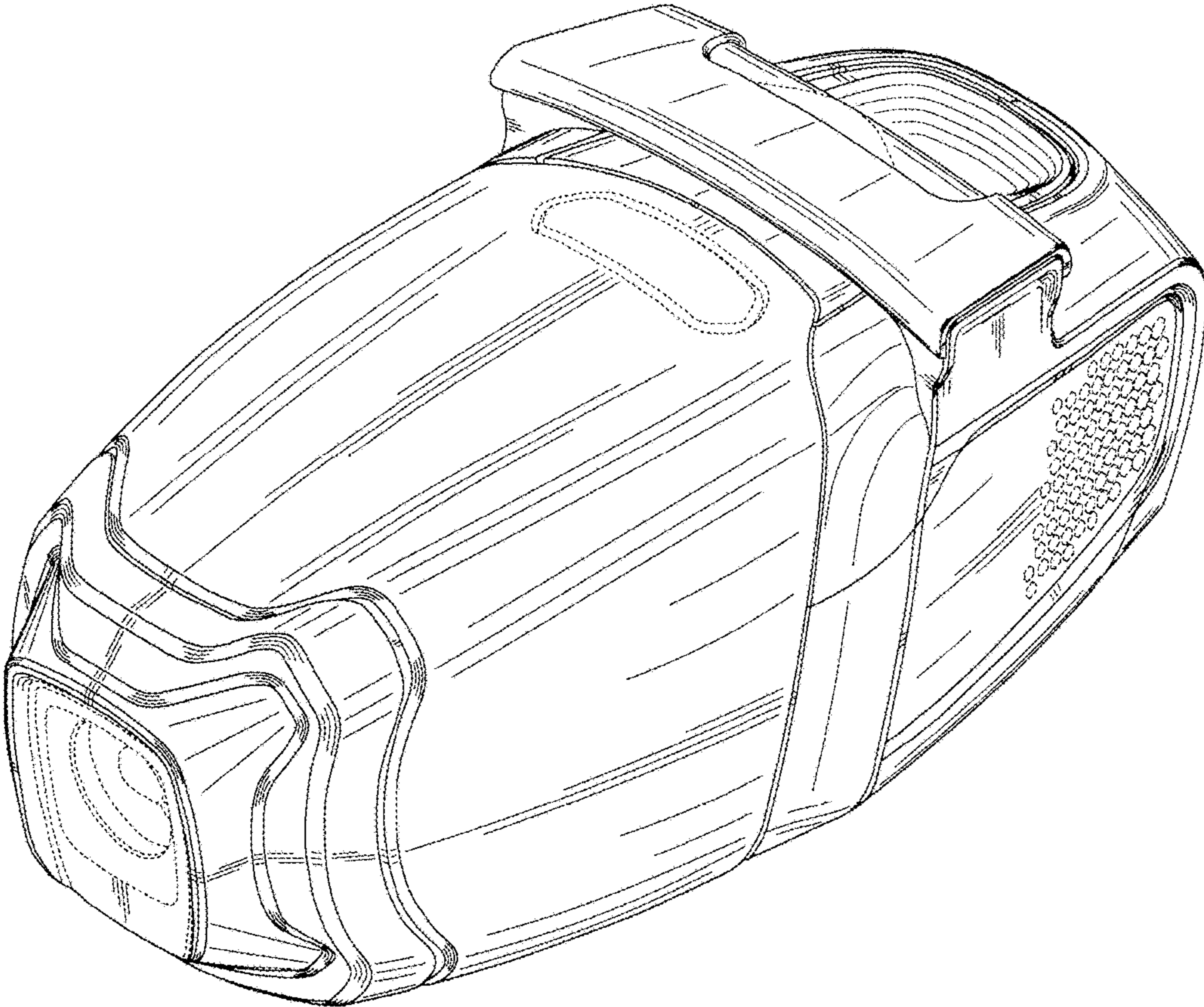


FIG. 2

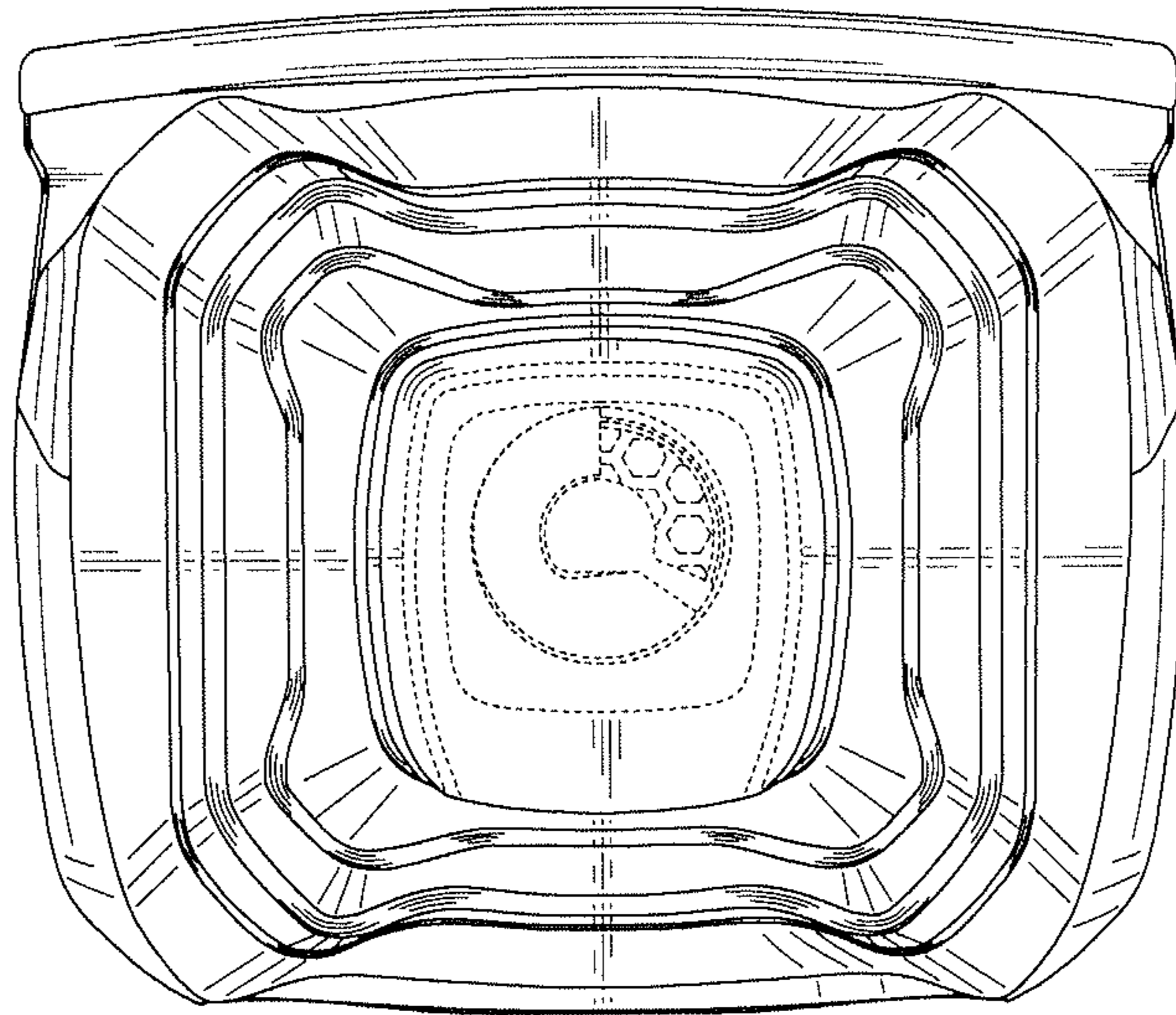


FIG. 3

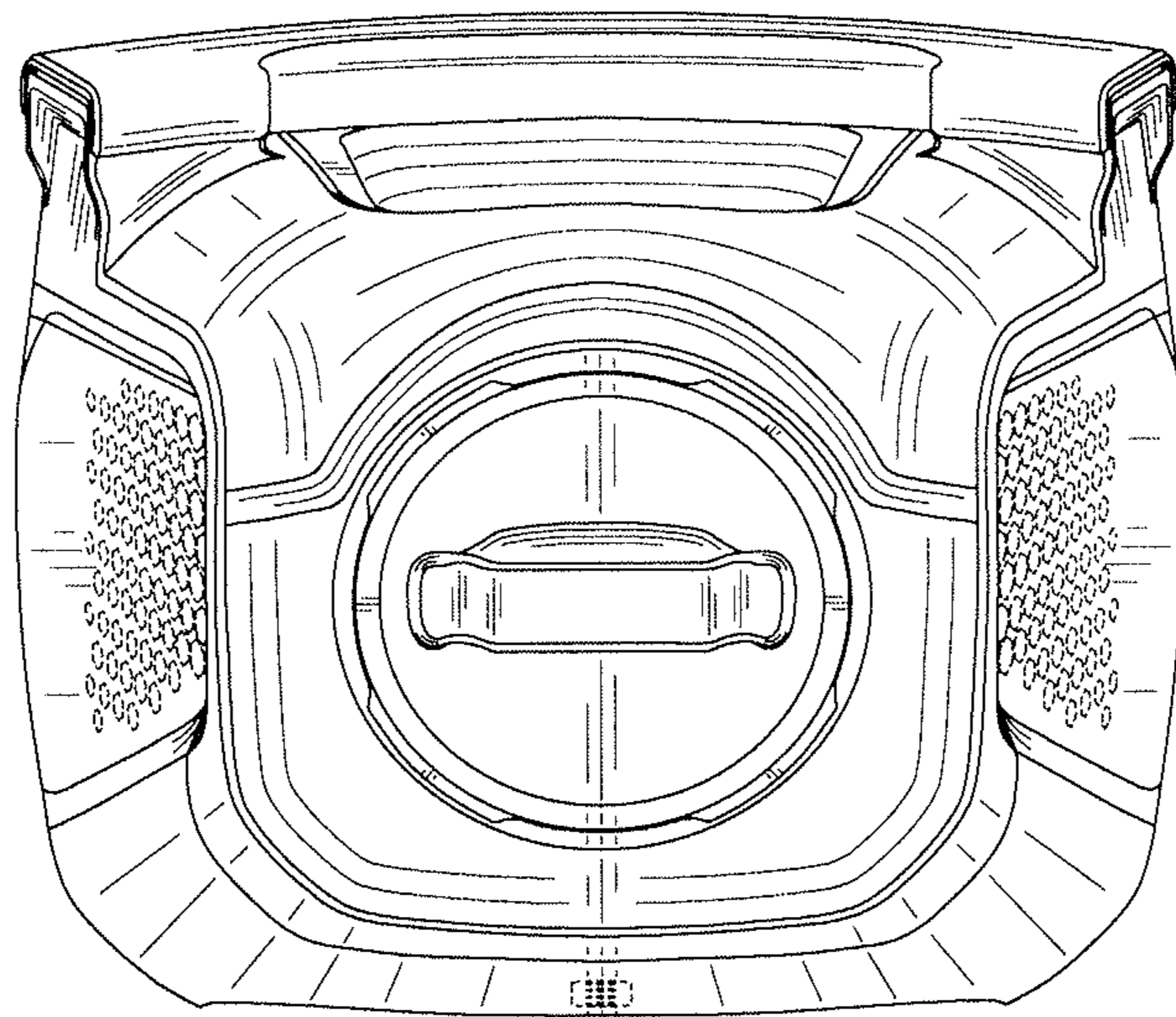


FIG. 4

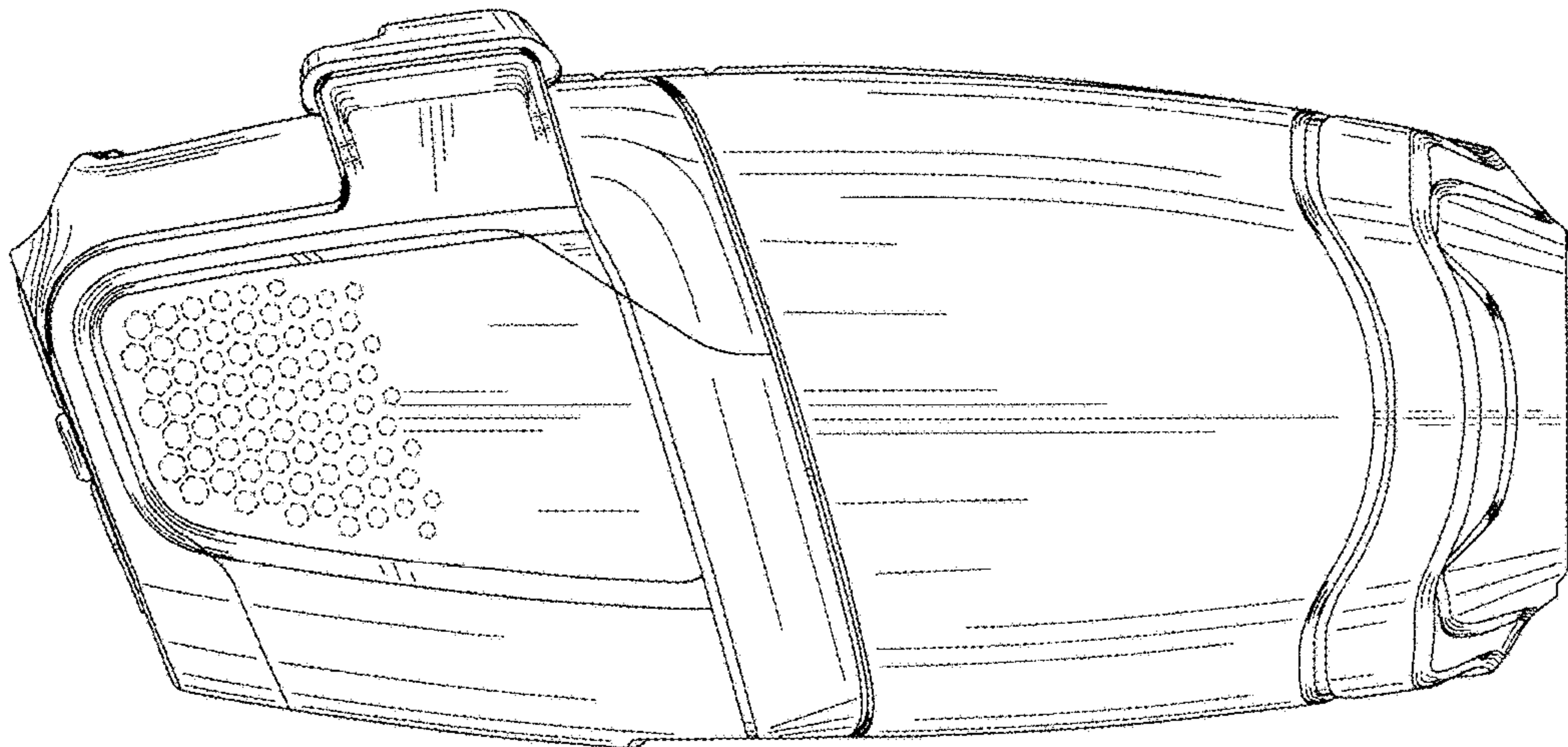


FIG. 5

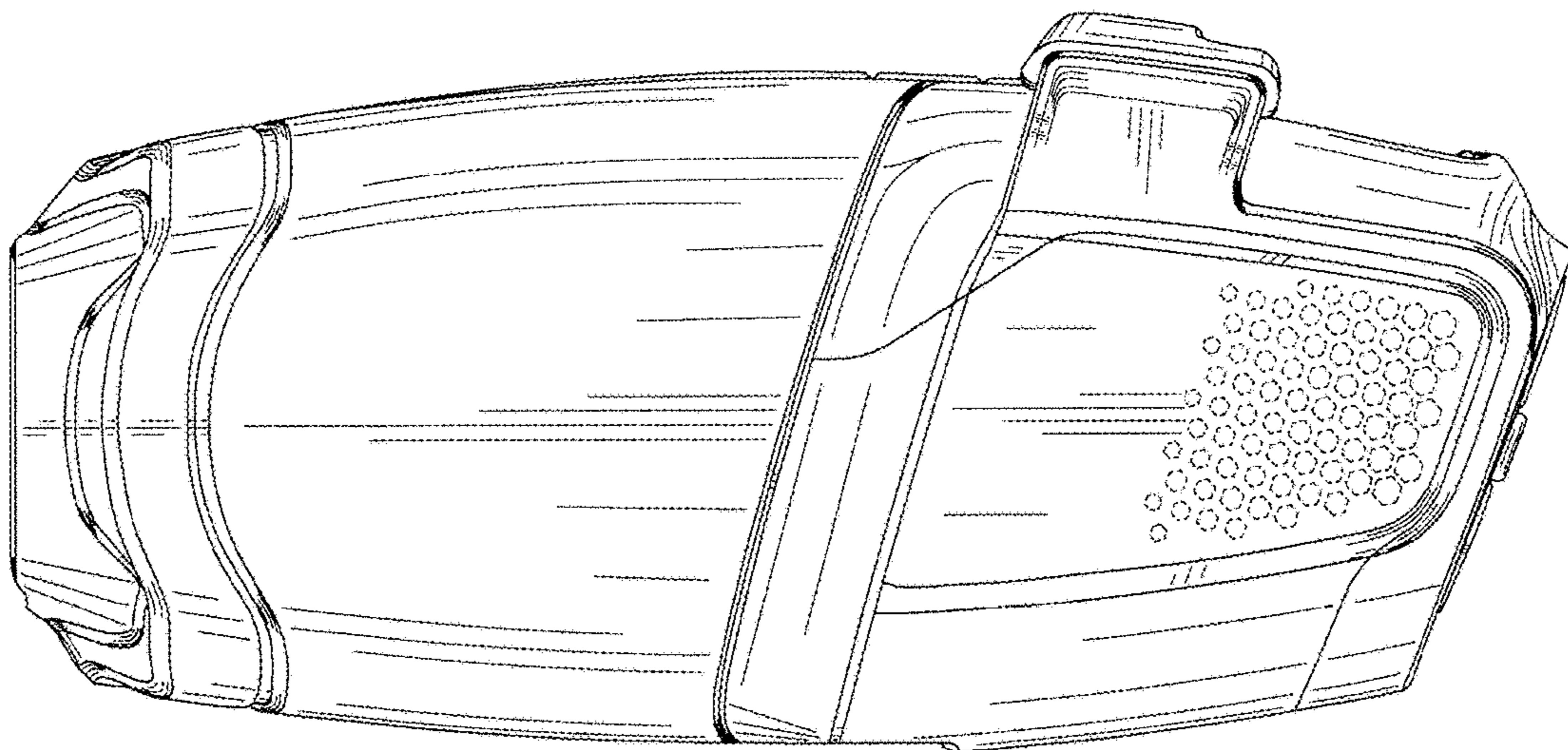


FIG. 6

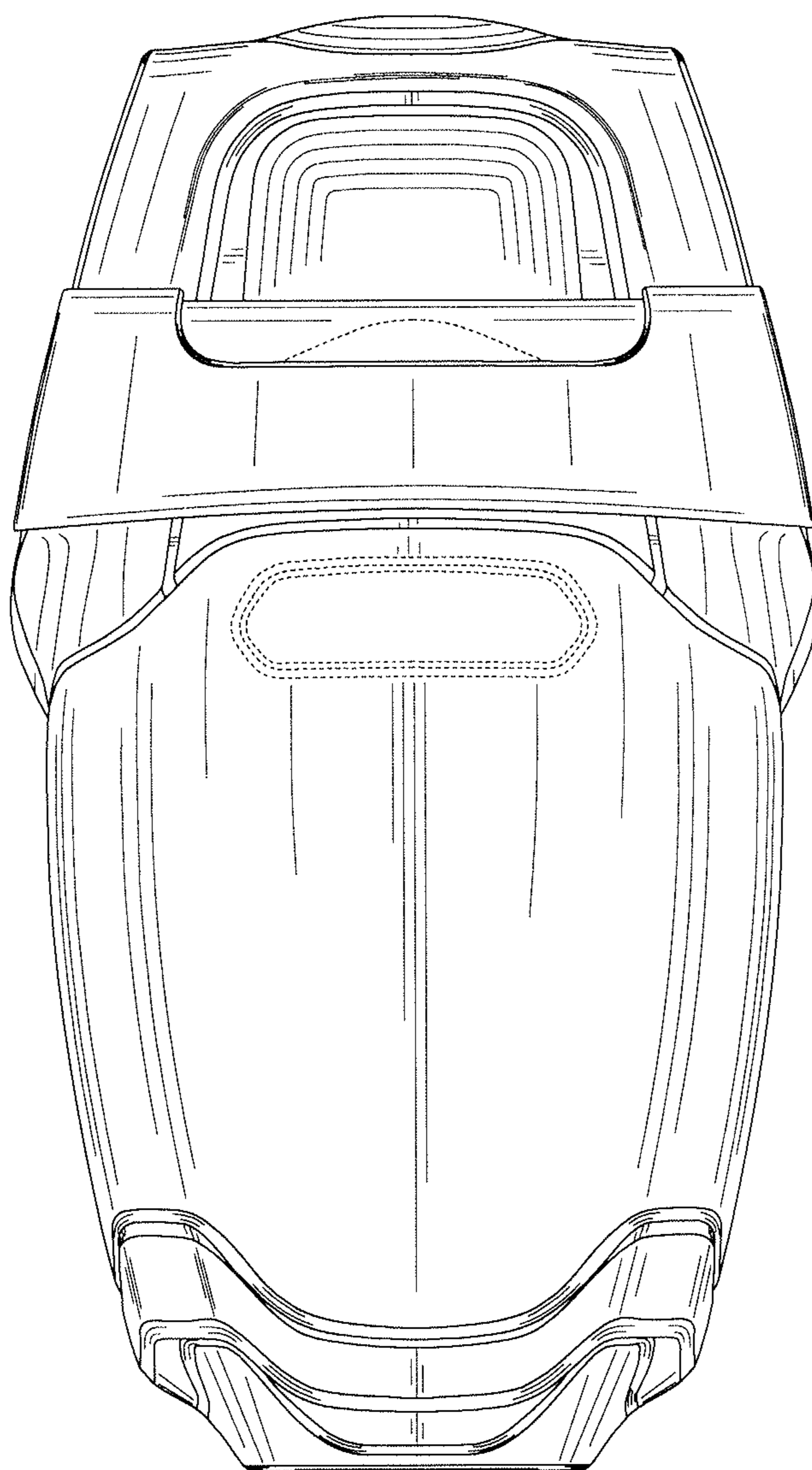


FIG. 7

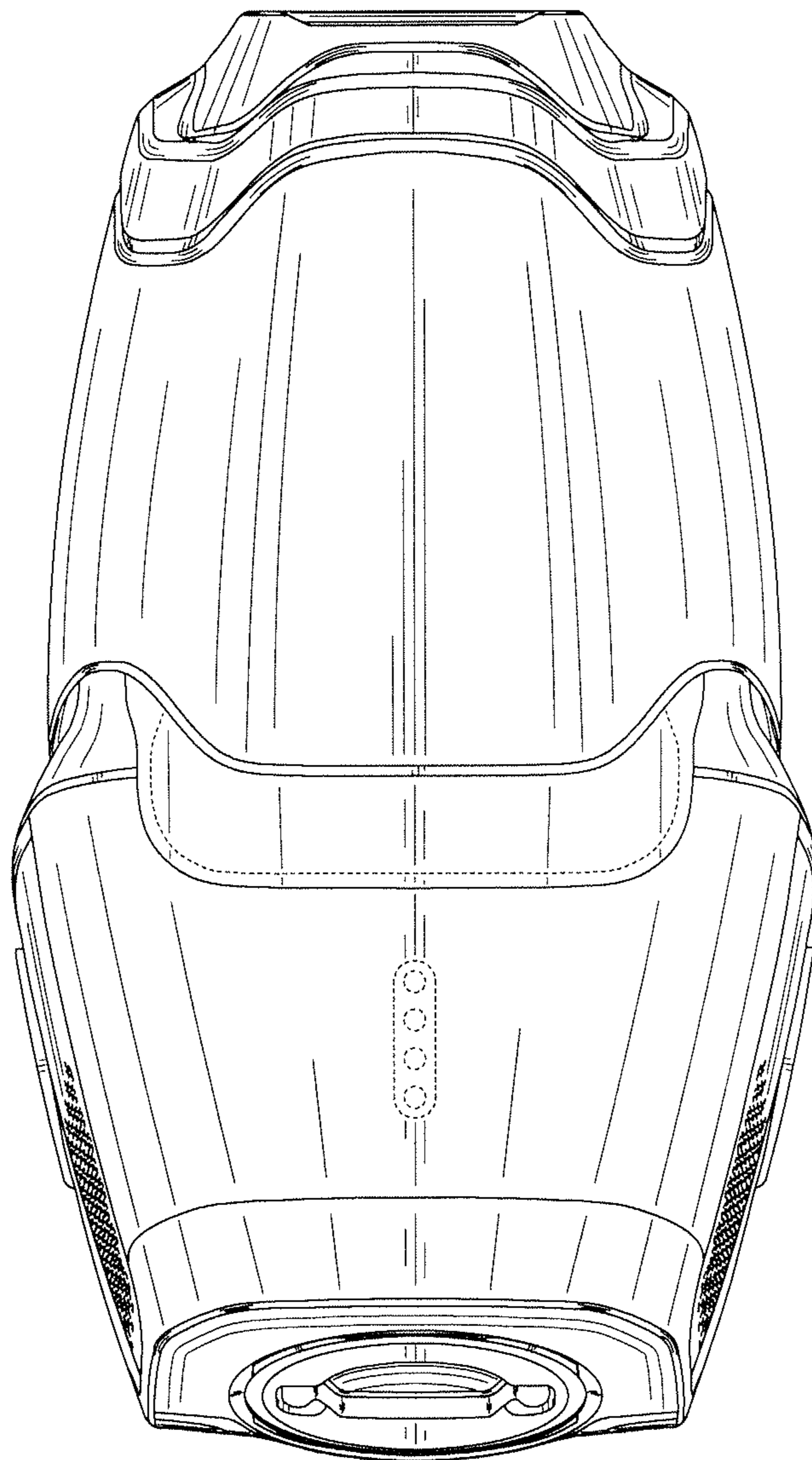


FIG. 8

