



US00D782128S

(12) **United States Design Patent**
Wechsler

(10) **Patent No.:** **US D782,128 S**

(45) **Date of Patent:** **** Mar. 21, 2017**

(54) **ELEVATED PET BOWL**

(71) Applicant: **Lawrence I. Wechsler**, Great Neck,
NY (US)

(72) Inventor: **Lawrence I. Wechsler**, Great Neck,
NY (US)

(**) Term: **15 Years**

(21) Appl. No.: **29/557,261**

(22) Filed: **Mar. 7, 2016**

(51) **LOC (10) Cl.** **30-03**

(52) **U.S. Cl.**
USPC **D30/130; D30/133; D30/132; D30/121**

(58) **Field of Classification Search**
USPC **D30/133, 121, 128, 130, 132, 129, 131;**
119/52.1, 55, 61.5, 61.6, 61.57, 61.56;
D6/480-485; 248/188; 312/204;
108/153.1-157

CPC **A01K 5/00; A01K 5/01; A01K 5/0107;**
A01K 5/0114; A01K 5/0121; A01K
5/0128; A01K 5/0135; A01K 7/005

See application file for complete search history.

(56) **References Cited**

U.S. PATENT DOCUMENTS

- 2,366,584 A * 1/1945 Woodward A01K 5/0114
119/72
- D551,400 S * 9/2007 Tsengas D30/133
- D577,466 S * 9/2008 Shamoan D30/121

- D665,541 S * 8/2012 Shamoan D30/121
- D679,455 S * 4/2013 Chance D30/130
- 2009/0199775 A1 * 8/2009 Shamoan A01K 5/0114
119/61.56
- 2014/0346293 A1 * 11/2014 Qiu A01K 5/0114
248/176.1

OTHER PUBLICATIONS

PetMate Ruff Maxx Elevated Feeder, <https://www.chewy.com/petmate-ruff-maxx-grow-me-elevated>, 2016, 1 page.*

* cited by examiner

Primary Examiner — Susan Moon Lee

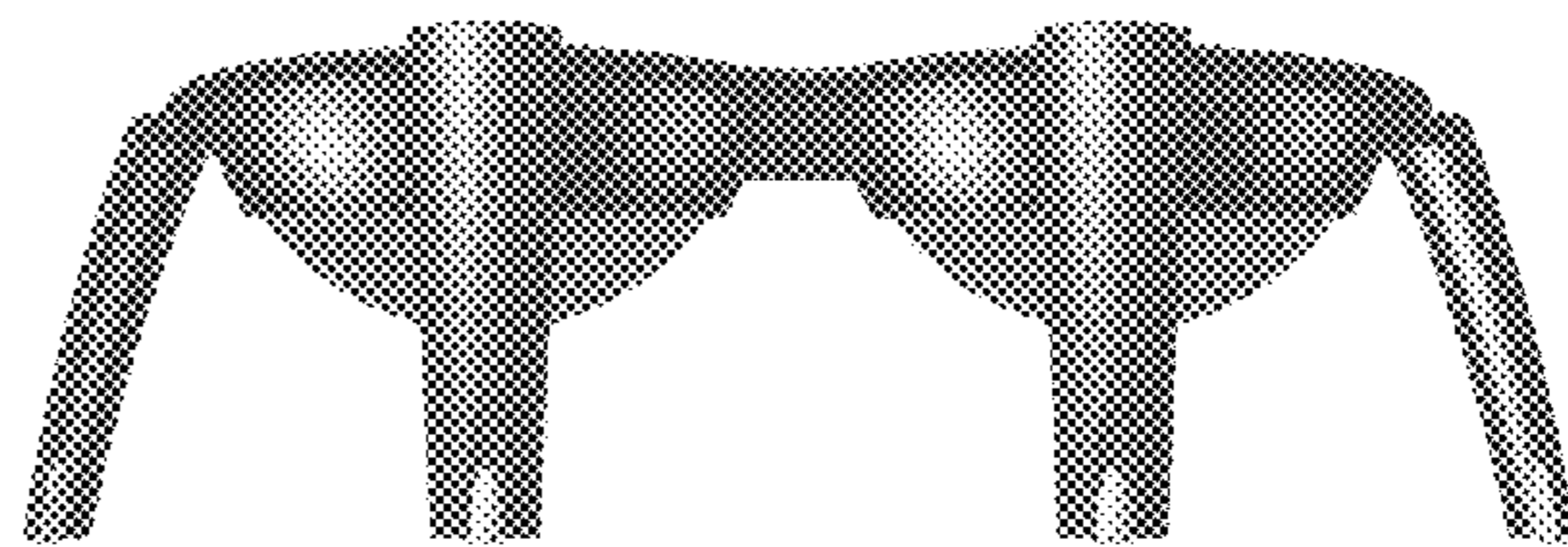
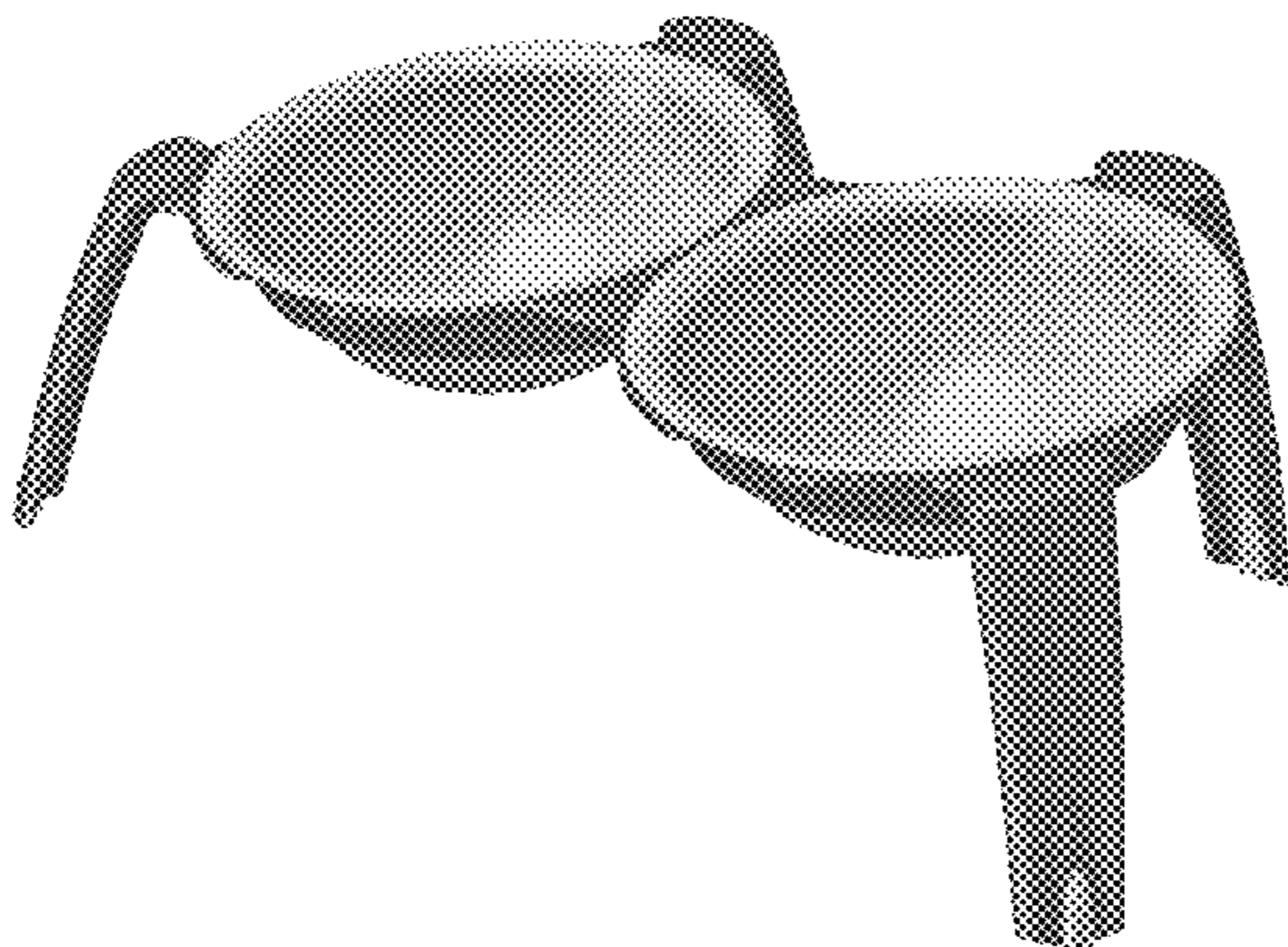
(57) **CLAIM**

The ornamental design for an elevated pet bowl, substantially as shown and described.

DESCRIPTION

FIG. 1 is a top perspective view of an elevated pet bowl showing my new design;
 FIG. 2 is a bottom perspective view thereof;
 FIG. 3 is a front elevational view thereof;
 FIG. 4 is a rear elevational view thereof;
 FIG. 5 is a side elevational view of the elevated pet bowl, the opposite side being a mirror image thereof;
 FIG. 6 is a top plan view thereof;
 FIG. 7 is a bottom plan view thereof; and,
 FIG. 8 is a top and front perspective view showing two elevated pet bowls according to my new design in a stacked arrangement.

1 Claim, 4 Drawing Sheets



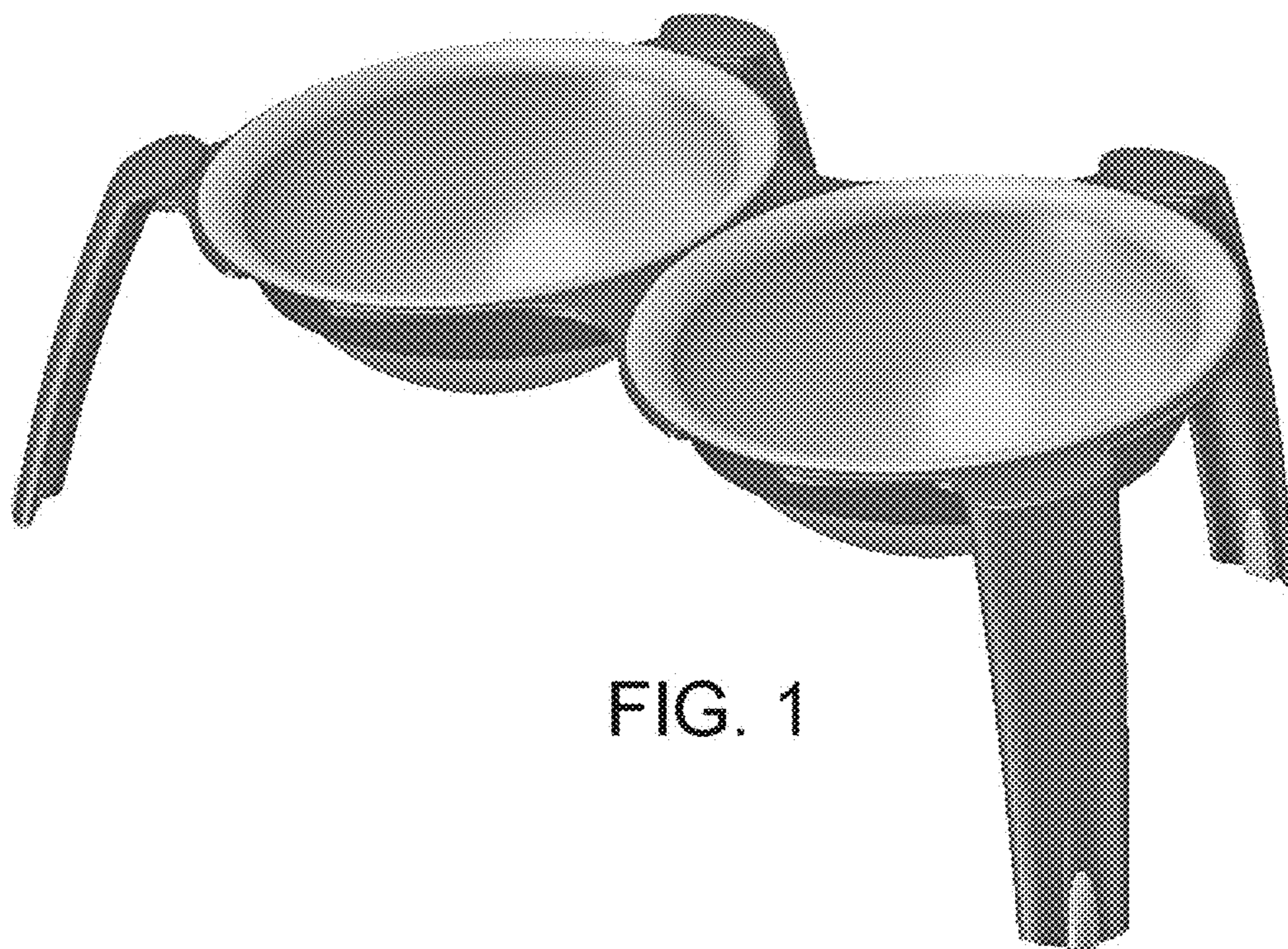


FIG. 1

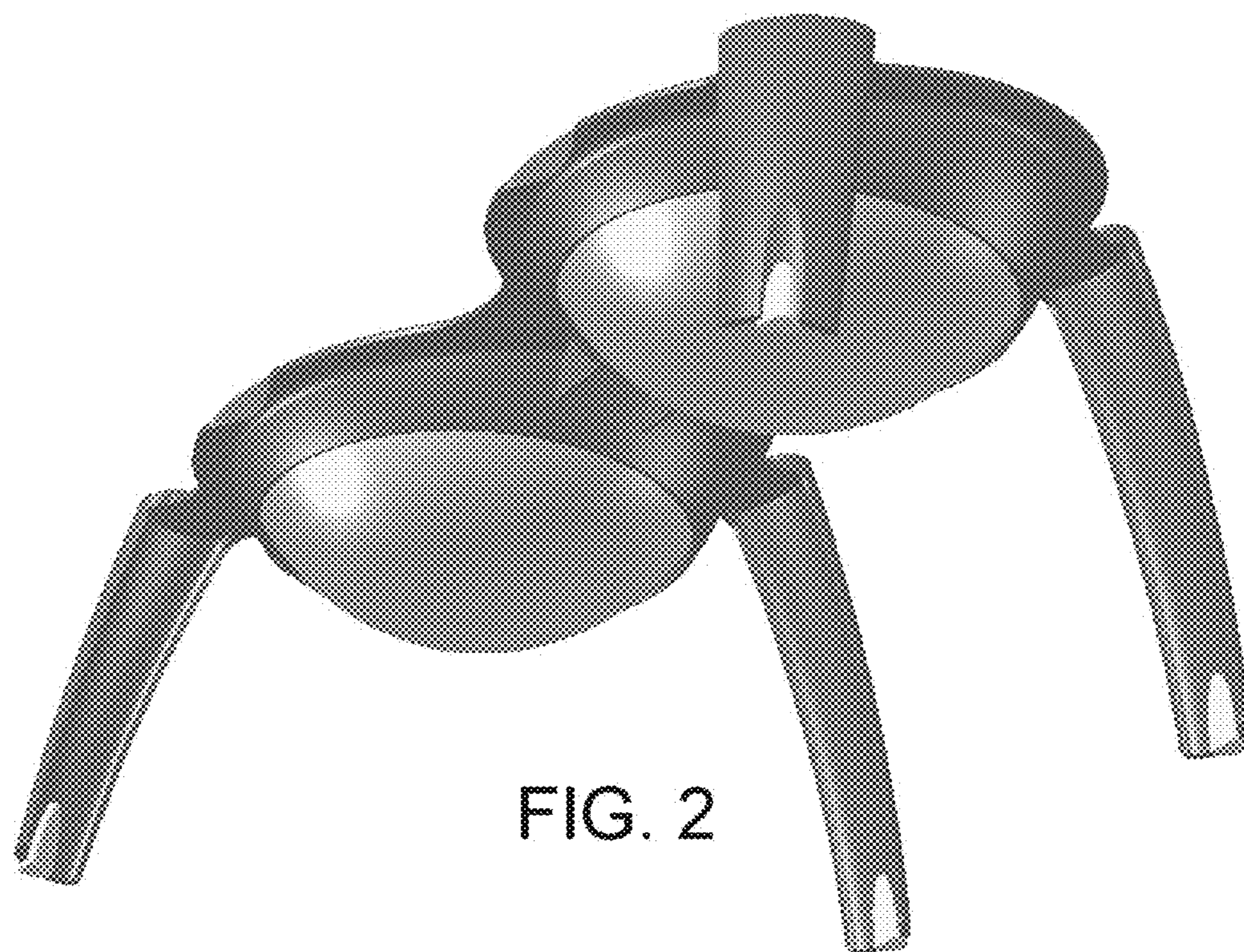


FIG. 2

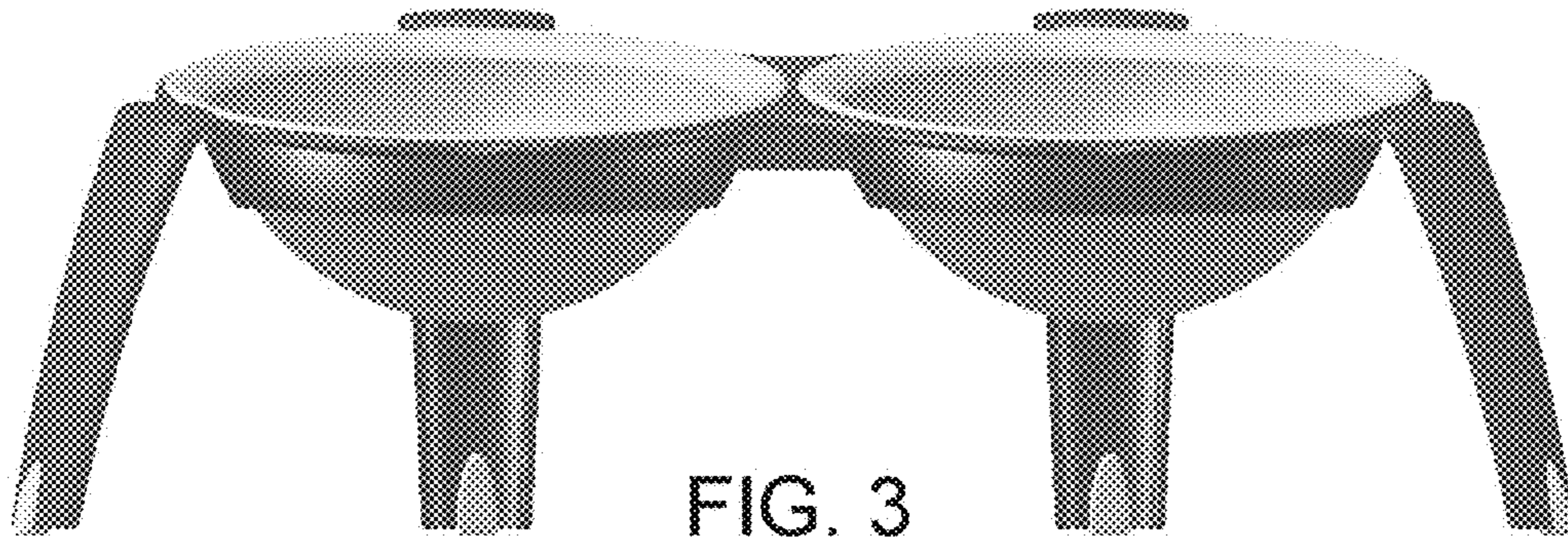


FIG. 3

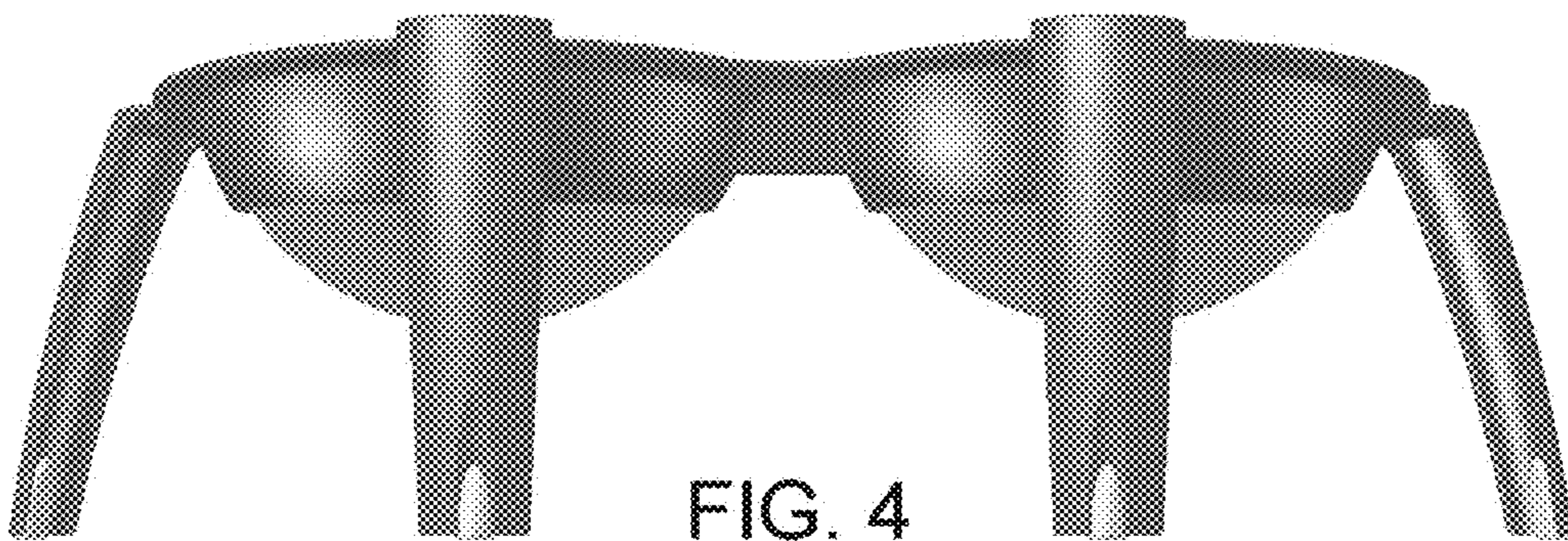


FIG. 4

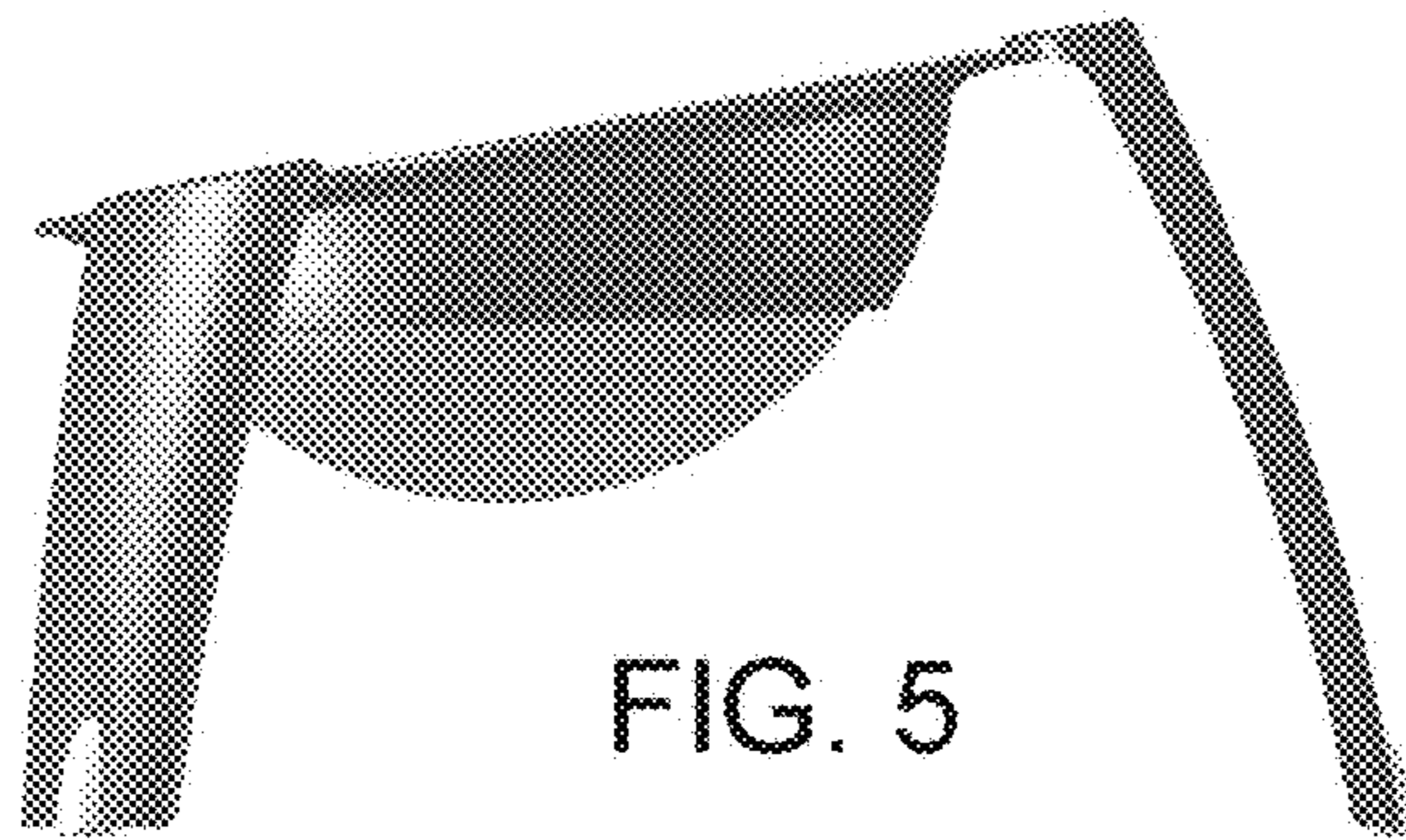


FIG. 5

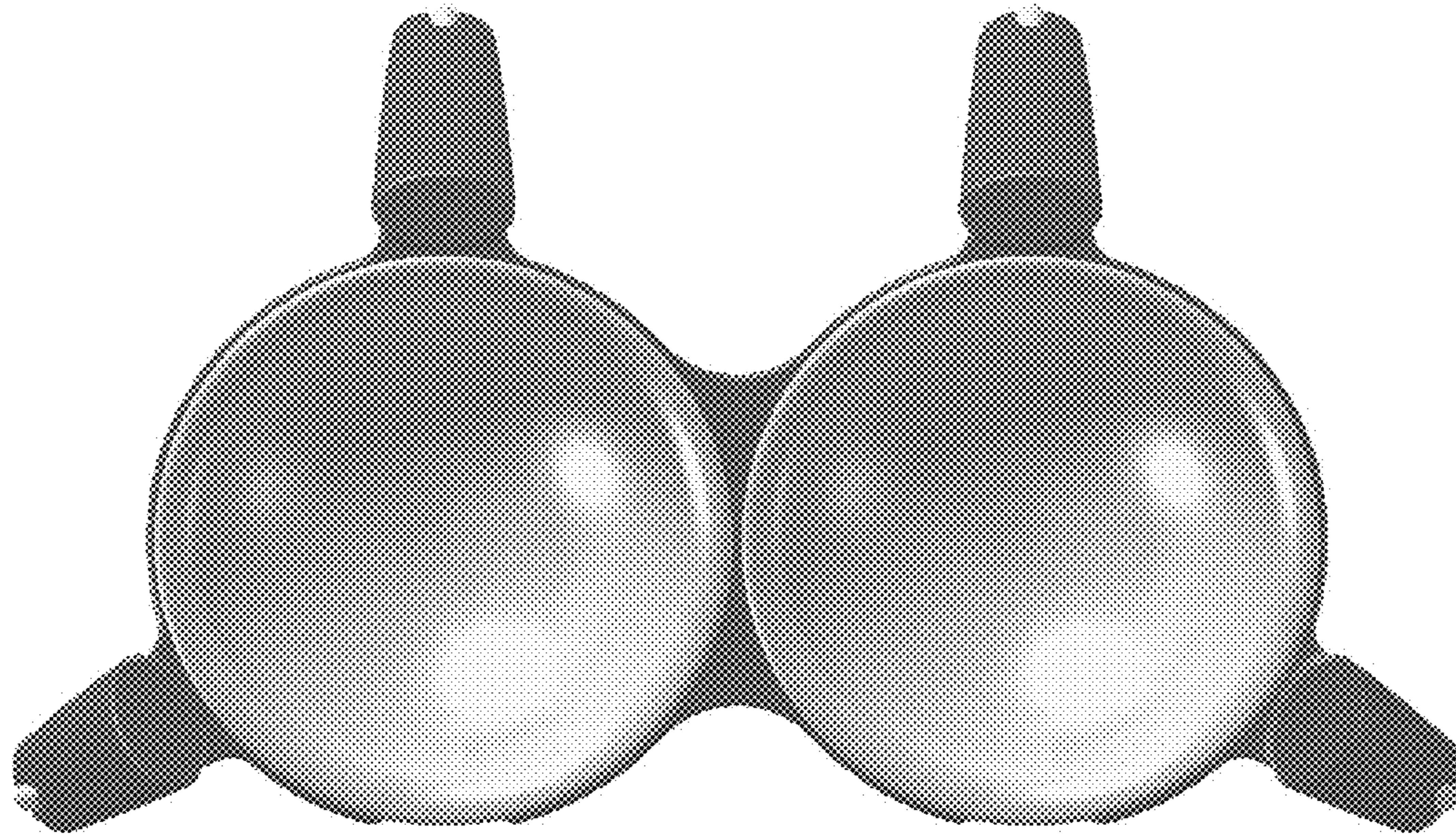


FIG. 6



FIG. 7



FIG. 8