



US00D782127S

(12) **United States Design Patent**
Wechsler

(10) **Patent No.:** **US D782,127 S**

(45) **Date of Patent:** **** Mar. 21, 2017**

(54) **ELEVATED PET BOWL**

(71) Applicant: **Lawrence I. Wechsler**, Great Neck,
NY (US)

(72) Inventor: **Lawrence I. Wechsler**, Great Neck,
NY (US)

(**) Term: **15 Years**

(21) Appl. No.: **29/557,260**

(22) Filed: **Mar. 7, 2016**

(51) **LOC (10) Cl.** **30-03**

(52) **U.S. Cl.**

USPC **D30/129**; D30/133; D30/132; D30/121

(58) **Field of Classification Search**

USPC D30/133, 121, 128, 130, 132, 129, 131;
119/52.1, 55, 61.5, 61.6, 61.57, 61.56;
D6/480-485; 248/188; 312/204;
108/153.1-157

CPC A01K 5/00; A01K 5/01; A01K 5/0107;
A01K 5/0114; A01K 5/0121; A01K
5/0128; A01K 5/0135; A01K 7/005

See application file for complete search history.

(56) **References Cited**

U.S. PATENT DOCUMENTS

162,131	A *	4/1875	Williams	F16M 11/00	248/165
299,713	A *	6/1884	Babbitt et al.	F24B 1/205	126/29
376,767	A *	1/1888	Creque	A47B 13/06	248/172
D31,666	S *	10/1899	Steppe		248/146
1,722,521	A *	7/1929	Hiatt	A47J 47/16	126/30
1,830,769	A *	11/1931	Rothermel	A47G 7/025	248/154

D132,421	S *	5/1942	Krapp		119/77
2,366,584	A *	1/1945	Woodward	A01K 5/0114	119/72
D148,608	S *	2/1948	Bullock	D30/104	
2,657,891	A *	11/1953	Haften	A47G 23/0216	248/146
D257,494	S *	11/1980	Imhoff	D30/129	
D289,807	S *	5/1987	Russell	D30/129	
4,899,967	A *	2/1990	Johnson	B65B 67/12	248/97
D361,632	S *	8/1995	Ratia	D26/10	

(Continued)

OTHER PUBLICATIONS

Tripod Single Bowl Stand, <http://www.callingalldogs.com/Tripod-single-dog-bowl-stand.aspx>, 2016, 1 page.*

(Continued)

Primary Examiner — Susan Moon Lee

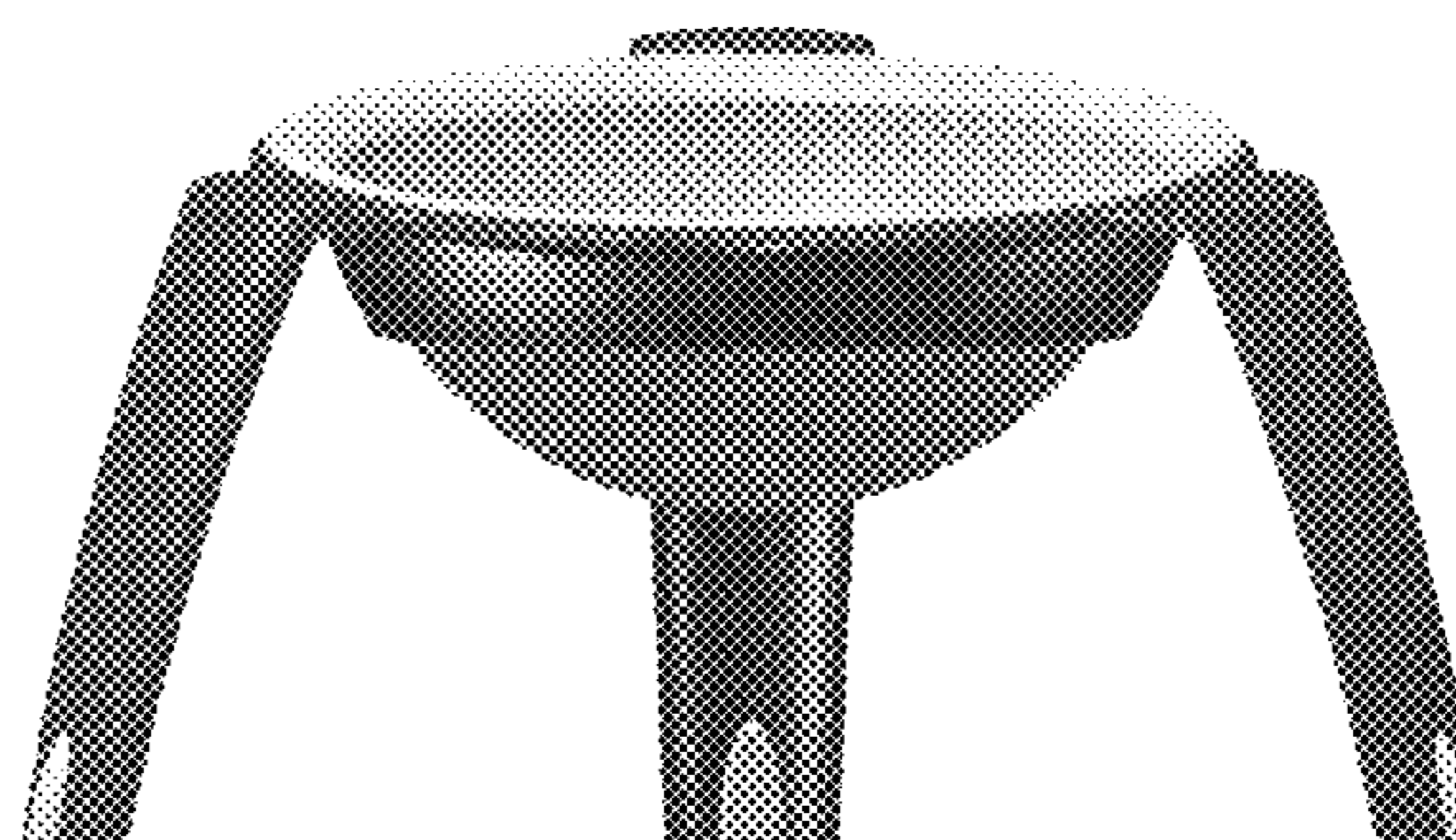
(57) **CLAIM**

The ornamental design for an elevated pet bowl, substantially as shown and described.

DESCRIPTION

FIG. 1 is a top perspective view of an elevated pet bowl showing my new design;
FIG. 2 is a bottom perspective view thereof;
FIG. 3 is a front elevational view thereof;
FIG. 4 is a rear elevational view thereof;
FIG. 5 is a side elevational view of the elevated pet bowl, the opposite side being a mirror image thereof;
FIG. 6 is a top plan view thereof;
FIG. 7 is a bottom plan view thereof; and,
FIG. 8 is a top and front perspective view showing two elevated pet bowls according to my new design in a stacked arrangement.

1 Claim, 4 Drawing Sheets



(56)

References Cited

U.S. PATENT DOCUMENTS

5,533,700 A * 7/1996 Porter B60N 3/108
 224/926
 5,590,861 A * 1/1997 Ardolino A47G 23/0216
 248/146
 D378,149 S * 2/1997 Mann D30/133
 D406,925 S * 3/1999 Sharon D30/129
 D410,781 S * 6/1999 Sharon D30/129
 D412,605 S * 8/1999 Sharon D30/129
 D426,752 S * 6/2000 Whaley D7/619.1
 D446,361 S * 8/2001 Elliott D30/129
 D448,978 S * 10/2001 Isbell D7/619.1
 D451,709 S * 12/2001 Heithecker D6/661.3
 D452,089 S * 12/2001 Fritz D6/680.3
 D494,325 S * 8/2004 Paterson D30/121
 D520,405 S * 5/2006 Prebil D11/121
 D625,885 S * 10/2010 Bianchi D30/129
 D630,904 S * 1/2011 Zeilinger D7/601
 D634,167 S * 3/2011 Foster D7/700
 D665,541 S * 8/2012 Shamoon D30/121
 D676,716 S * 2/2013 Lalo D7/619.1
 D687,938 S * 8/2013 Furner D23/366
 D724,943 S * 3/2015 Epstein D9/435
 D755,627 S * 5/2016 Epstein D9/440
 2006/0005775 A1 * 1/2006 Ritchey A01K 5/0142
 119/61.5
 2015/0250147 A1 * 9/2015 Briski A01K 5/0114
 248/125.7
 2016/0242385 A1 * 8/2016 Parness F16M 11/32

OTHER PUBLICATIONS

Y-Bowl Single Bowl Raised Diner, <http://www.barkerandmeowsky.com/product.asp?It=d&deptid=7278&sec=dogs&pfid=BAM04769>, 2016, 1 page.*

* cited by examiner



FIG. 1

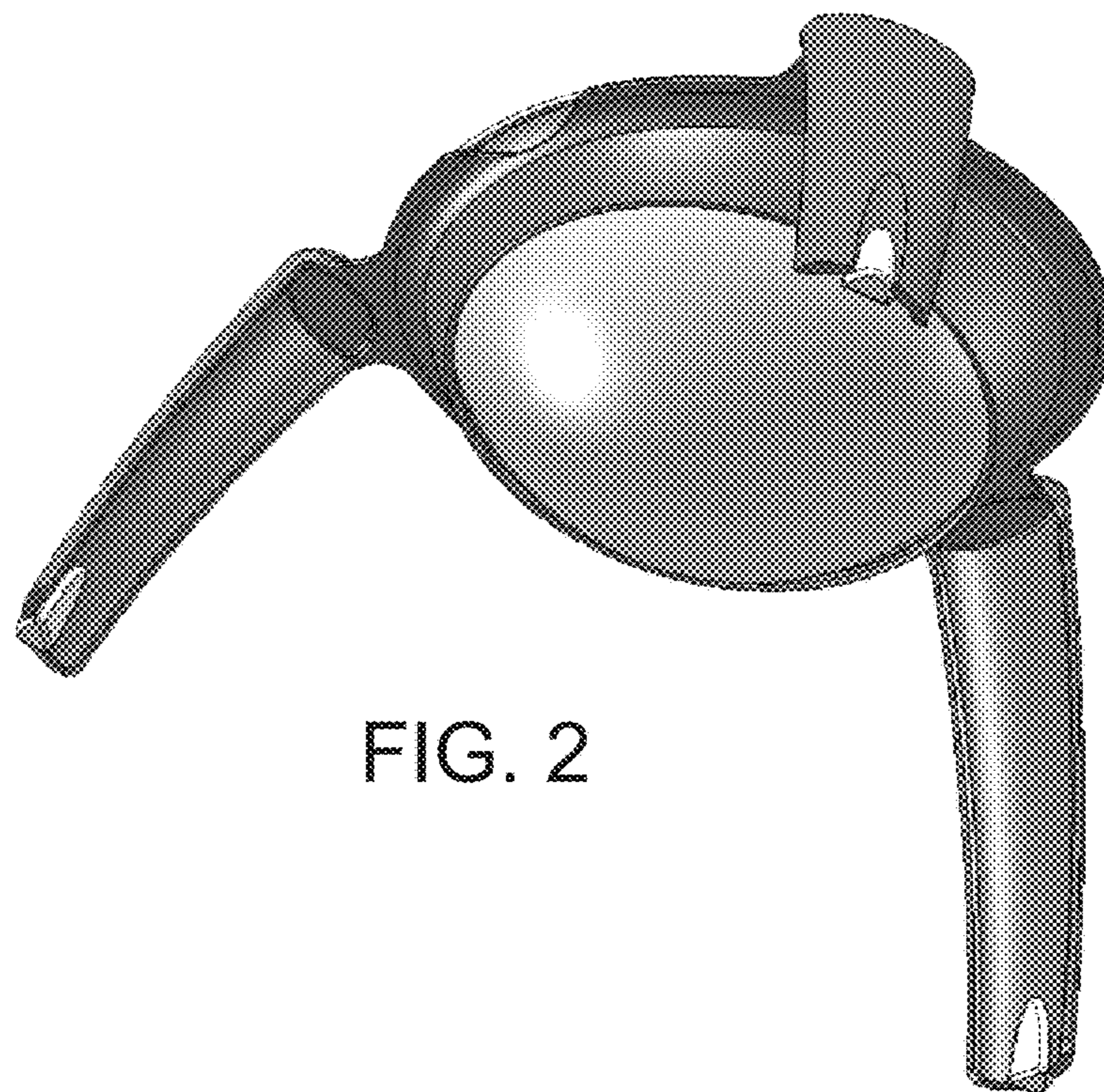


FIG. 2

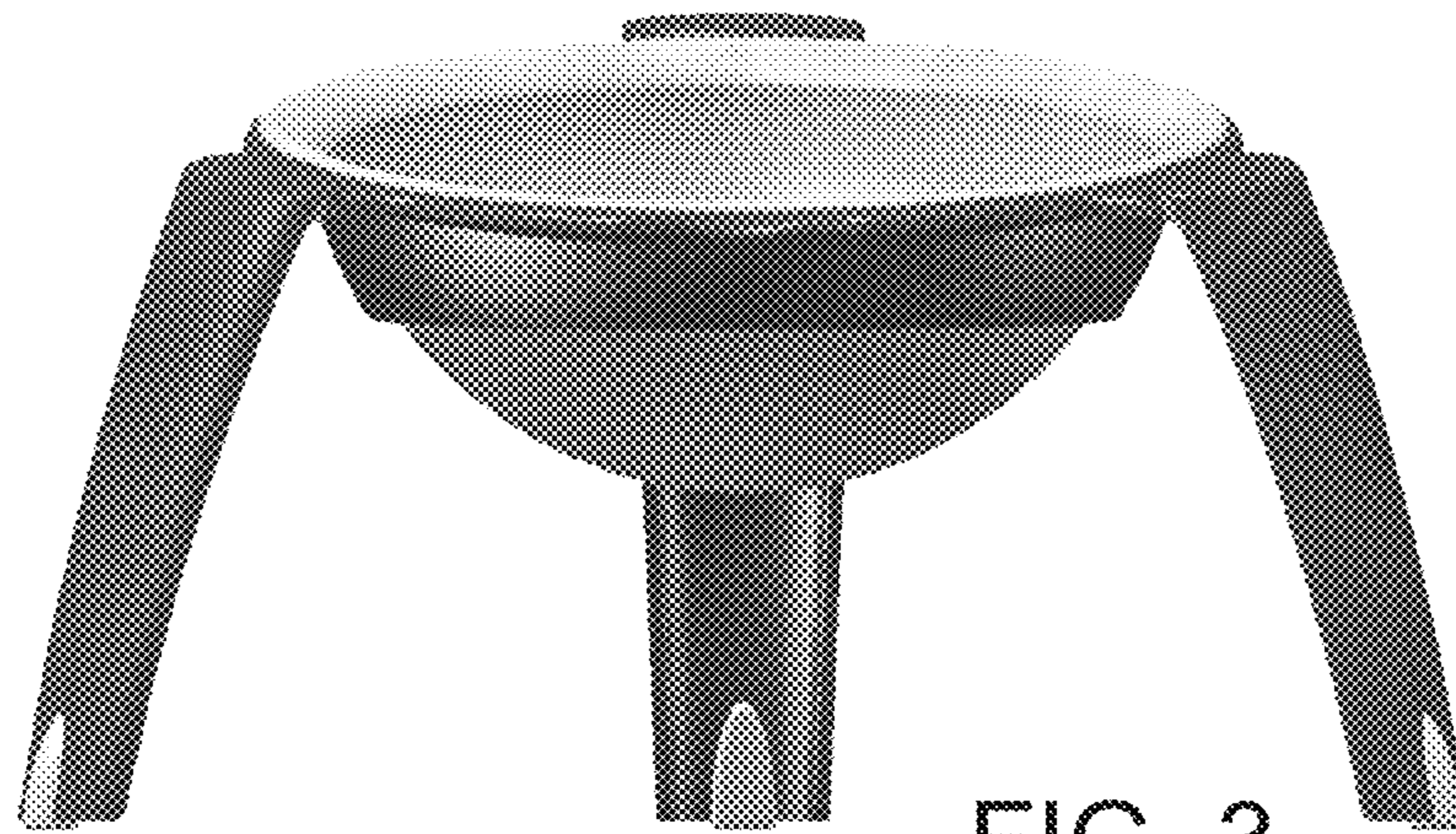


FIG. 3

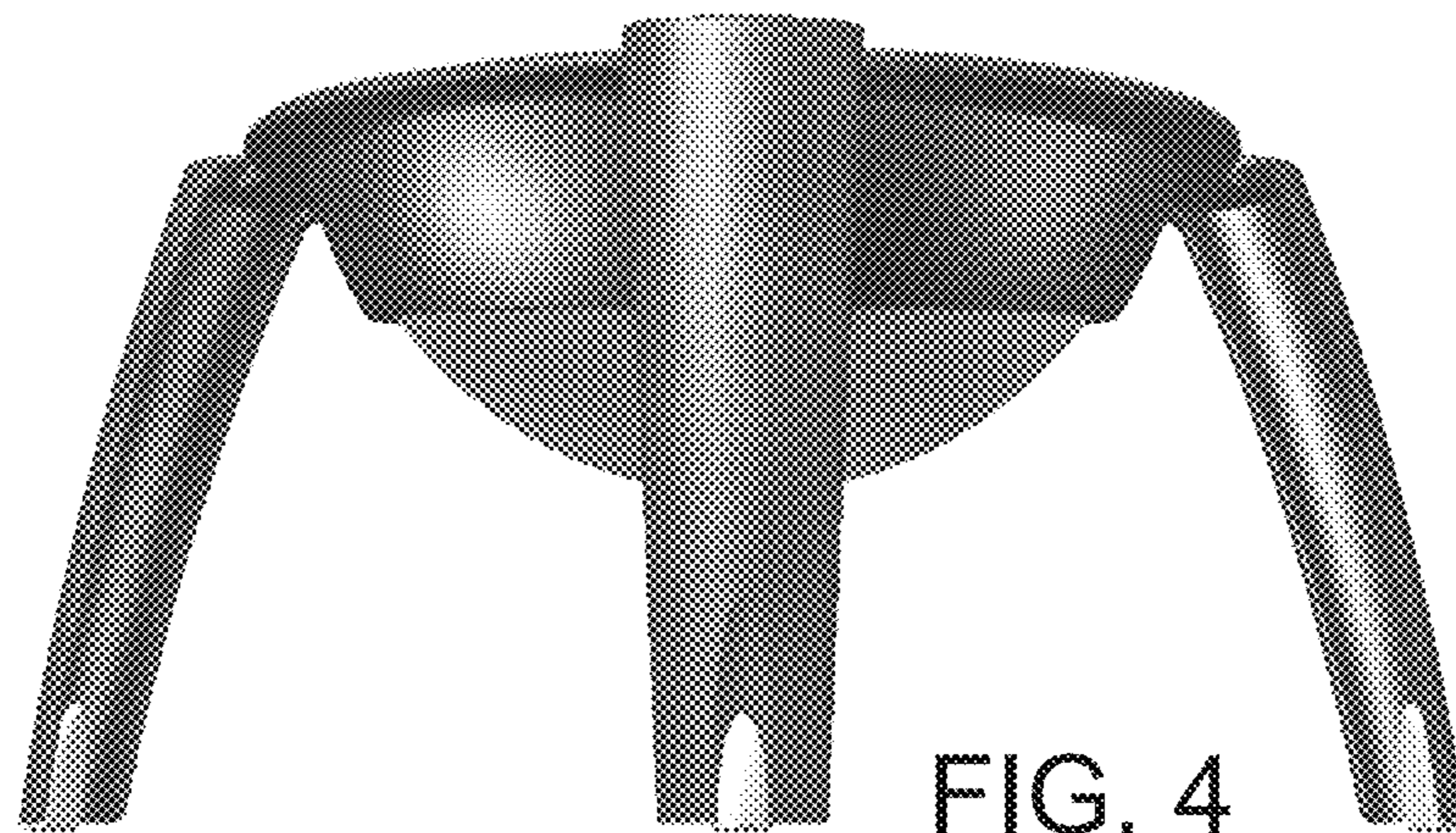


FIG. 4

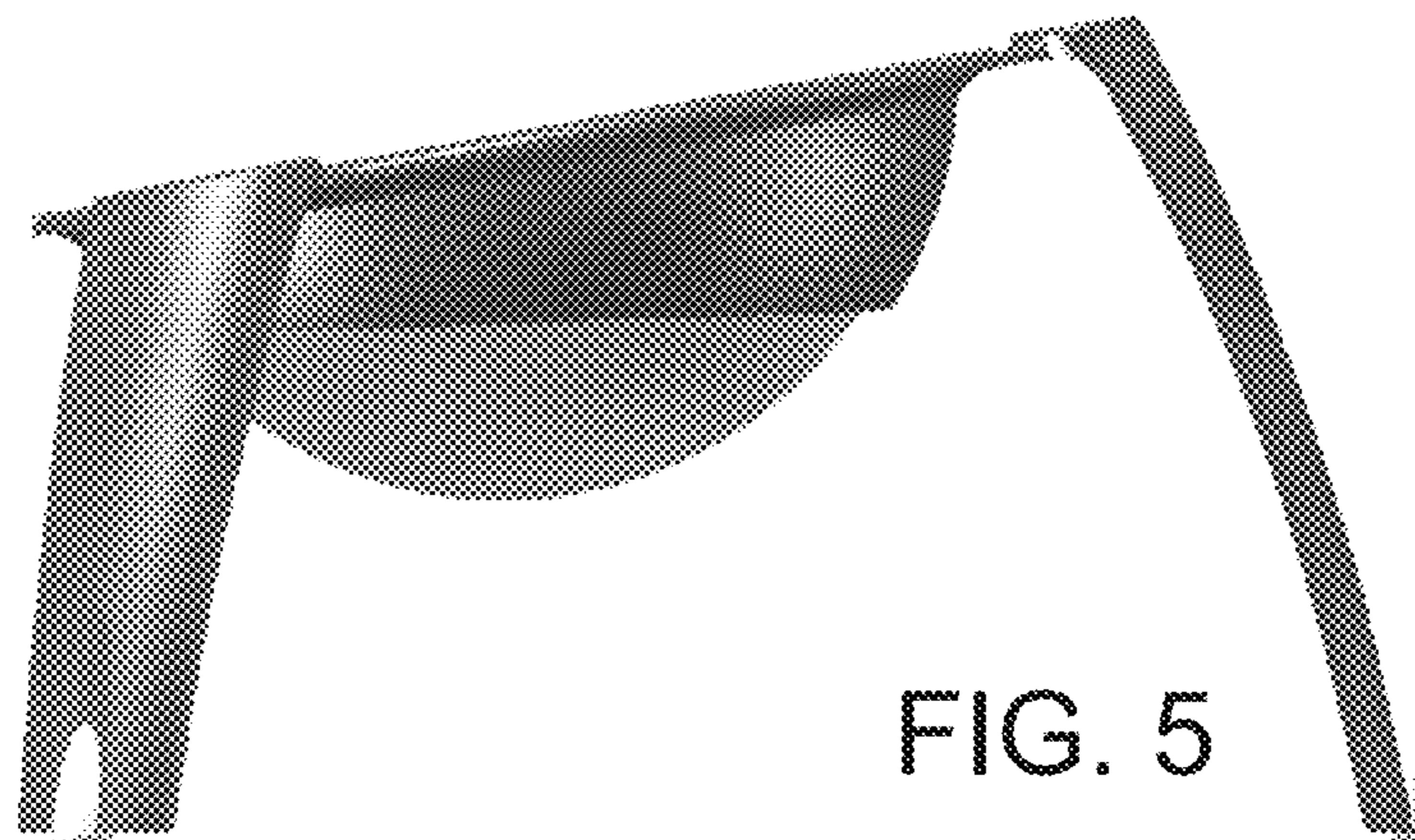


FIG. 5

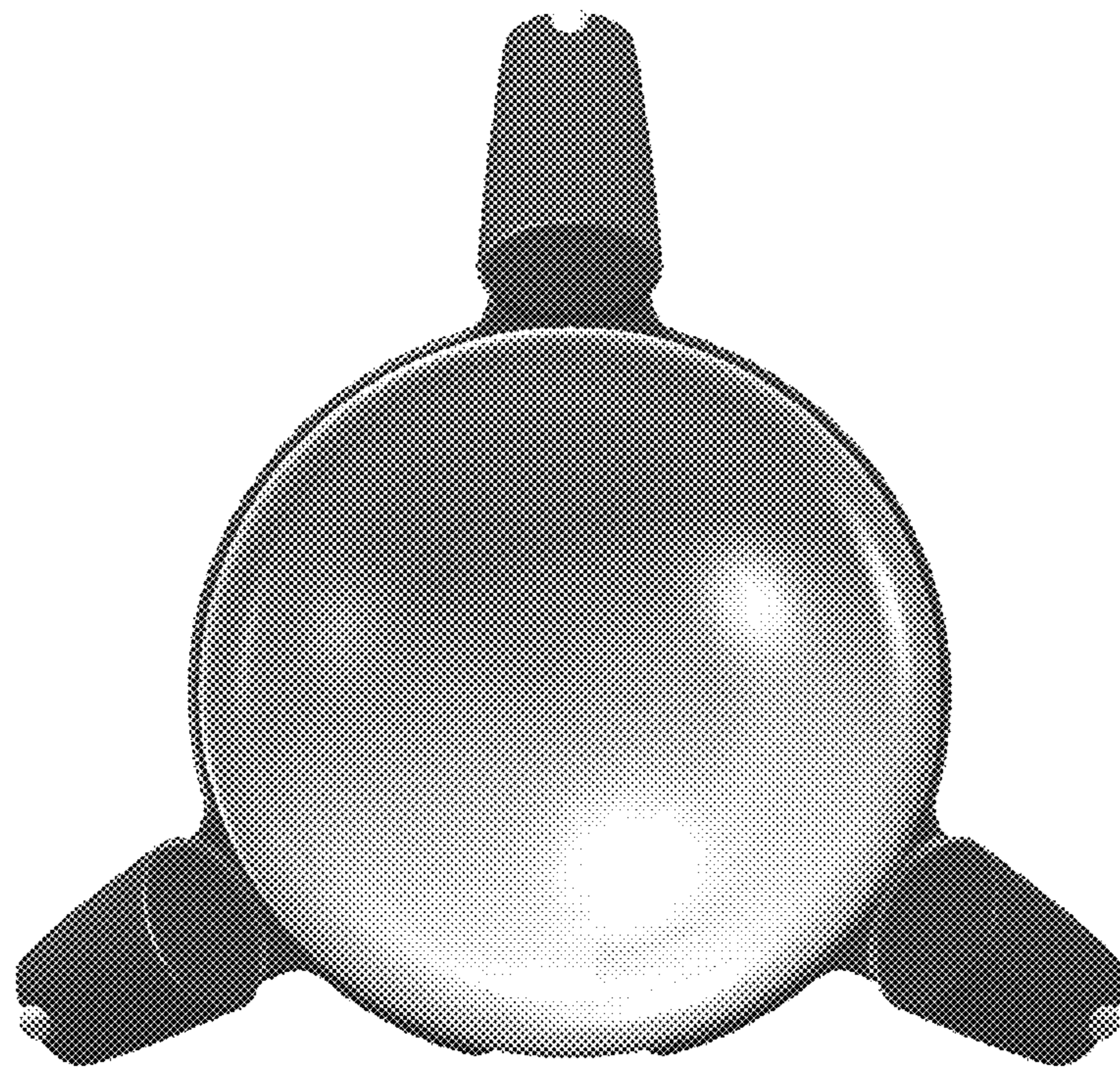


FIG. 6

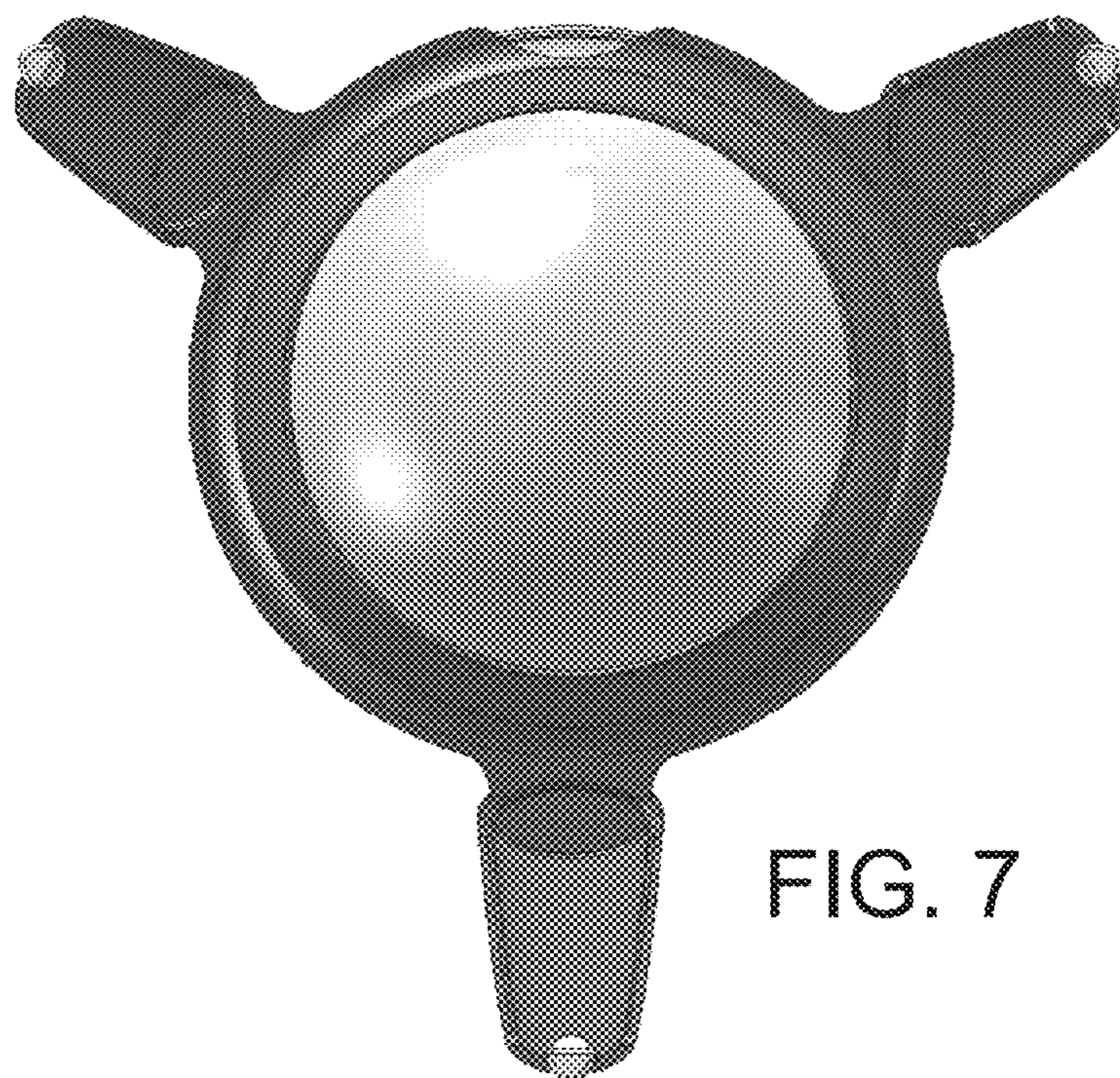


FIG. 7



FIG. 8