



US00D782126S

(12) **United States Design Patent**
Folk

(10) **Patent No.:** **US D782,126 S**
(45) **Date of Patent:** **** Mar. 21, 2017**

(54) **BIRD FEEDER OVERSPILL TRAY**

(71) Applicant: **Marshall Folk**, Toronto (CA)

(72) Inventor: **Marshall Folk**, Toronto (CA)

(**) Term: **14 Years**

(21) Appl. No.: **29/505,046**

(22) Filed: **May 8, 2015**

(30) **Foreign Application Priority Data**

Mar. 4, 2015 (CA) 161362

(51) **LOC (10) Cl.** **30-03**

(52) **U.S. Cl.**
USPC **D30/128**

(58) **Field of Classification Search**
USPC D30/121, 124, 126-129, 133, 199;
119/52.2, 51.5, 61.5, 57.8, 57.9, 52.3,
119/61.1, 531, 63, 464, 53; 47/67, 83;
248/318; D11/164, 152; D32/54;
D21/472; D22/121; D7/667, 369;
209/270, 273, 283, 269, 265, 233, 249
CPC A01K 39/00; A01K 39/01; A01K 39/0113;
A01K 39/012; A01K 39/0125; A01K
39/014

See application file for complete search history.

(56) **References Cited**

U.S. PATENT DOCUMENTS

284,090 A * 8/1883 Tingle A47F 7/283
211/103

578,374 A * 3/1897 Trull A47K 1/05
312/325

599,706 A * 3/1898 Heineken A47K 1/05
248/278.1

1,268,256 A * 6/1918 Leyh F16M 11/10
248/291.1

1,493,796 A * 5/1924 Anderson A21B 3/13
249/112

1,647,069 A * 10/1927 Ahlman A01K 5/01
119/61.57

1,749,497 A * 3/1930 McGlashan A01K 39/014
119/531

D86,014 S * 1/1932 Diller D30/128

1,879,332 A * 9/1932 Kulp A01K 1/0356
119/464

2,074,448 A * 3/1937 Young A21B 3/13
126/385.1

D103,963 S * 4/1937 Butler 119/464

2,591,459 A * 4/1952 Meany A01K 39/012
119/52.1

2,875,729 A * 3/1959 Gibson A01K 39/012
119/52.2

3,332,654 A * 7/1967 Jacobson A45B 1/00
211/107

(Continued)

Primary Examiner — Susan Moon Lee

(57) **CLAIM**

The ornamental design for a bird feeder overflow tray, as shown and described.

DESCRIPTION

FIG. 1 is a top perspective view of the bird feeder overflow tray.

FIG. 2 is a top plan view thereof;

FIG. 3 is a bottom plan view thereof;

FIG. 4 is a right side elevation view thereof;

FIG. 5 is a left side elevation view thereof;

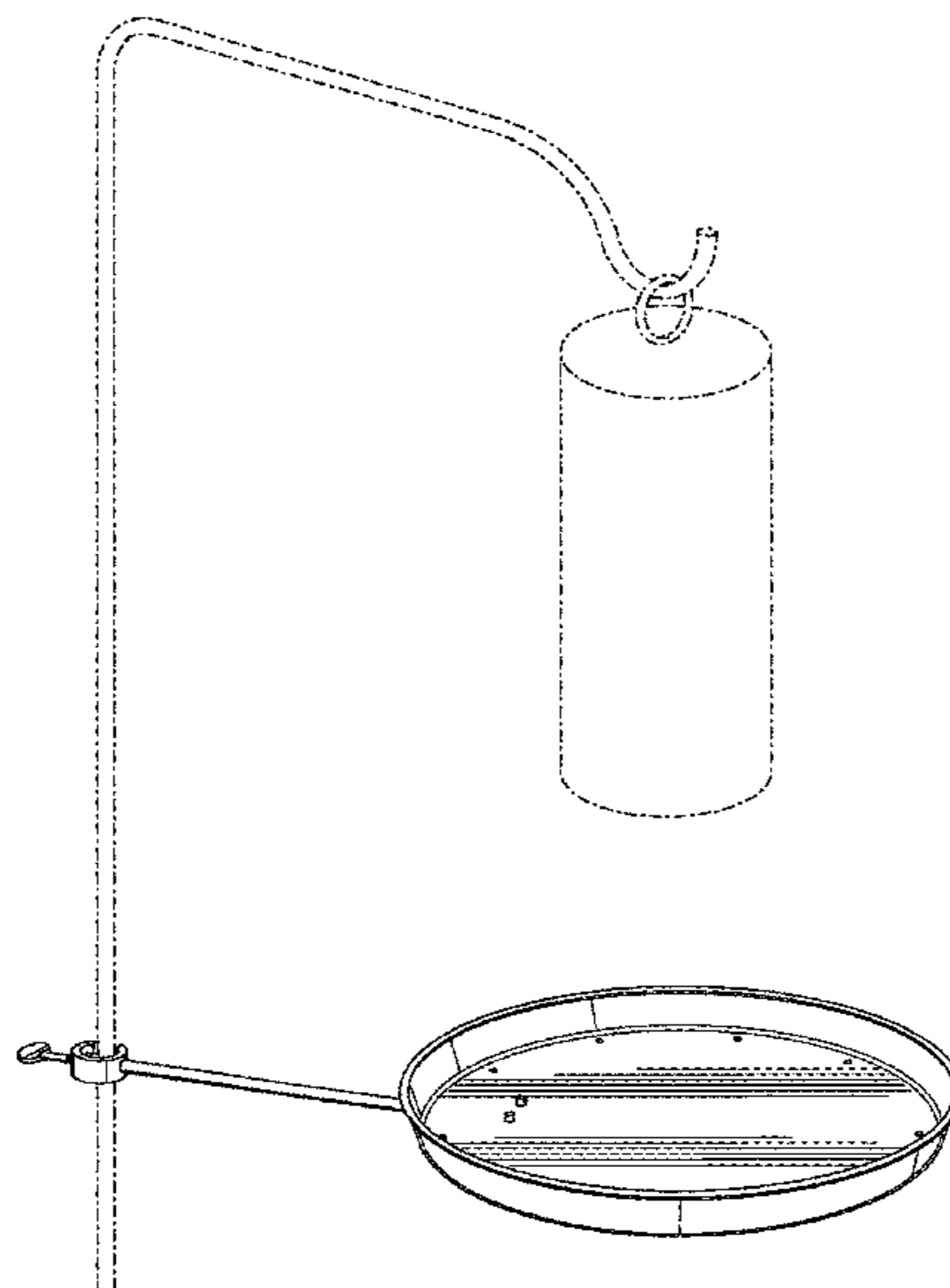
FIG. 6 is an end elevation view thereof;

FIG. 7 is an end elevation view thereof taken opposite FIG. 6; and,

FIG. 8 is an environmental top perspective view thereof.

The broken line showing of a feeder and stand in FIG. 8 is not claimed.

1 Claim, 5 Drawing Sheets



(56)

References Cited

U.S. PATENT DOCUMENTS

| | | | | | | | |
|----------------|---------|------------|--------------|-------------------|---------|----------------|--------------|
| 3,661,121 A * | 5/1972 | Zielin | A01K 5/0114 | 6,427,629 B1 * | 8/2002 | Lush | A01K 5/0225 |
| | | | 119/61.57 | | | | 119/459 |
| 3,888,354 A * | 6/1975 | Margolin | A47F 5/05 | 6,928,953 B2 * | 8/2005 | Axelrod | A01K 1/0356 |
| | | | 211/110 | | | | 119/51.01 |
| 4,144,842 A * | 3/1979 | Schlising | A01K 39/0113 | D509,326 S * | 9/2005 | Clark | D30/128 |
| | | | 119/52.3 | 7,032,538 B1 * | 4/2006 | Lush | A01K 39/0206 |
| 4,399,772 A * | 8/1983 | Salinas | A01K 5/0142 | | | | 119/459 |
| | | | 119/51.5 | 7,040,053 B1 * | 5/2006 | Beesley | A01G 9/023 |
| D277,703 S * | 2/1985 | Kilham | D30/128 | | | | 47/39 |
| D277,988 S * | 3/1985 | Kilham | D30/121 | D523,184 S * | 6/2006 | Colvin | D30/128 |
| D302,875 S * | 8/1989 | Earl | D30/124 | 7,185,605 B1 * | 3/2007 | Lush | A01K 5/0225 |
| 4,920,897 A * | 5/1990 | Reed | E04H 12/2223 | | | | 119/52.1 |
| | | | 108/150 | D541,993 S * | 5/2007 | Colvin | D30/128 |
| 4,955,319 A * | 9/1990 | Brucker | A01K 39/012 | D551,491 S * | 9/2007 | Schuler | D7/354 |
| | | | 119/52.2 | 7,340,859 B2 * | 3/2008 | Palsrok | A01G 9/022 |
| 5,000,124 A * | 3/1991 | Bergen | A01K 5/0114 | | | | 211/126.6 |
| | | | 119/63 | D566,344 S * | 4/2008 | Schatz | D30/124 |
| 5,008,963 A * | 4/1991 | Stein | A61H 35/02 | D589,658 S * | 3/2009 | Dye, Jr. | D30/123 |
| | | | 239/16 | 7,506,611 B1 * | 3/2009 | Lush | A01K 5/0225 |
| 5,040,491 A * | 8/1991 | Yancy | A01K 39/014 | | | | 119/52.1 |
| | | | 119/533 | D606,709 S * | 12/2009 | McMullen | D30/127 |
| 5,195,463 A * | 3/1993 | Lorenzana | A01K 45/002 | D611,662 S * | 3/2010 | Vosbikian | D30/128 |
| | | | 119/52.2 | D623,805 S * | 9/2010 | Vosbikian | D30/127 |
| 5,215,040 A * | 6/1993 | Lemley | A01K 39/014 | D628,009 S * | 11/2010 | Sarnoff | D7/354 |
| | | | 119/52.3 | 7,857,274 B1 * | 12/2010 | Parks | A01K 1/0356 |
| 5,421,289 A * | 6/1995 | Capellaro | A01K 39/014 | | | | 248/230.1 |
| | | | 119/475 | D638,262 S * | 5/2011 | Eberstadt, Jr. | D7/554.2 |
| 5,479,880 A * | 1/1996 | Stuhr | A01K 39/014 | 8,001,931 B2 * | 8/2011 | Deese | A01K 5/0142 |
| | | | 119/51.03 | | | | 119/51.01 |
| 5,647,298 A * | 7/1997 | Yancy | A01K 39/014 | D649,299 S * | 11/2011 | Lush | D30/127 |
| | | | 119/57.8 | D649,300 S * | 11/2011 | Lush | D30/127 |
| D385,067 S * | 10/1997 | Whittles | D30/124 | D658,426 S * | 5/2012 | Saunders | D7/359 |
| 5,713,305 A * | 2/1998 | Hollaway | A01K 1/0356 | D682,483 S * | 5/2013 | Silverman | D30/129 |
| | | | 119/464 | D689,325 S * | 9/2013 | Ortegon | D7/354 |
| 5,855,184 A * | 1/1999 | Eichler | A01K 1/0356 | D689,326 S * | 9/2013 | Ortegon | D7/354 |
| | | | 119/51.5 | D706,082 S * | 6/2014 | Malcolm | D7/558 |
| D428,537 S * | 7/2000 | Miller | D30/124 | 8,807,514 B1 * | 8/2014 | Giauque | A47G 7/045 |
| D438,050 S * | 2/2001 | Huntzinger | D7/354 | | | | 248/156 |
| D448,125 S * | 9/2001 | Ranly | D30/121 | 2002/0069829 A1 * | 6/2002 | McMahon | A01K 39/014 |
| 6,311,641 B1 * | 11/2001 | Johnson | A01K 39/014 | | | | 119/51.01 |
| | | | 119/57.8 | 2005/0178338 A1 * | 8/2005 | Smith | A01K 39/00 |
| 6,386,142 B1 * | 5/2002 | Holscher | A01K 31/12 | | | | 119/57.8 |
| | | | 119/51.01 | 2008/0116704 A1 * | 5/2008 | Botello | A01K 23/005 |
| 6,390,021 B1 * | 5/2002 | Krenzel | A01K 39/012 | | | | 294/1.5 |
| | | | 119/52.1 | 2010/0147224 A1 * | 6/2010 | Aletti | B66F 11/00 |
| D459,840 S * | 7/2002 | Lian | D30/124 | | | | 119/61.57 |
| | | | | 2015/0122157 A1 * | 5/2015 | Cote | A01K 39/014 |
| | | | | | | | 108/24 |

* cited by examiner

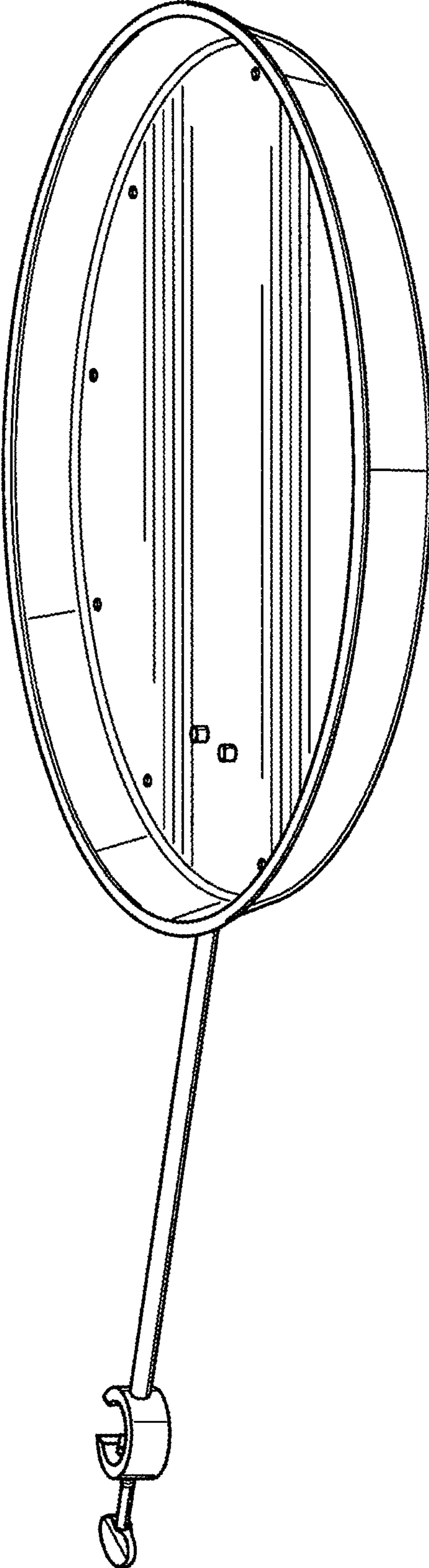


Fig. 1

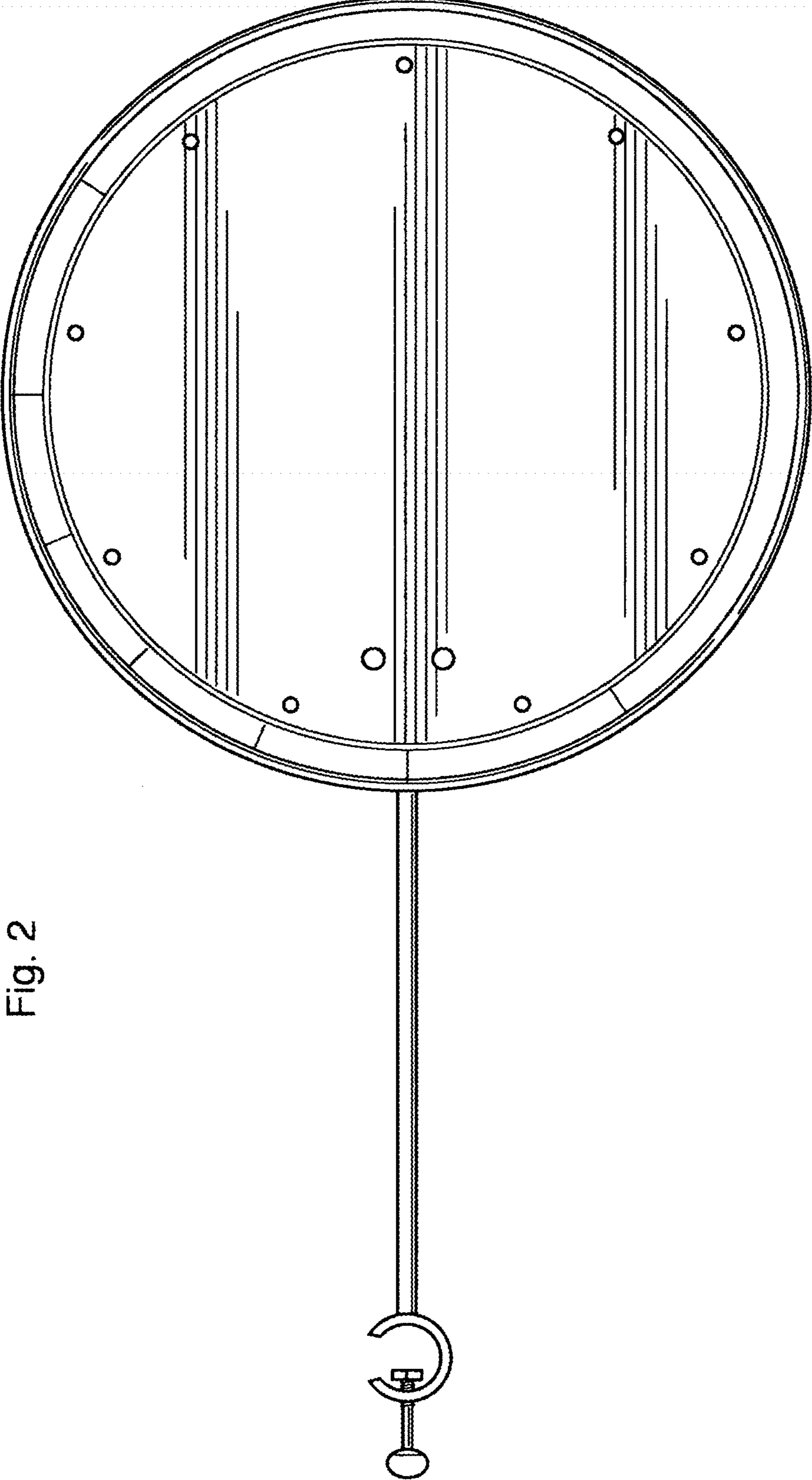


Fig. 2

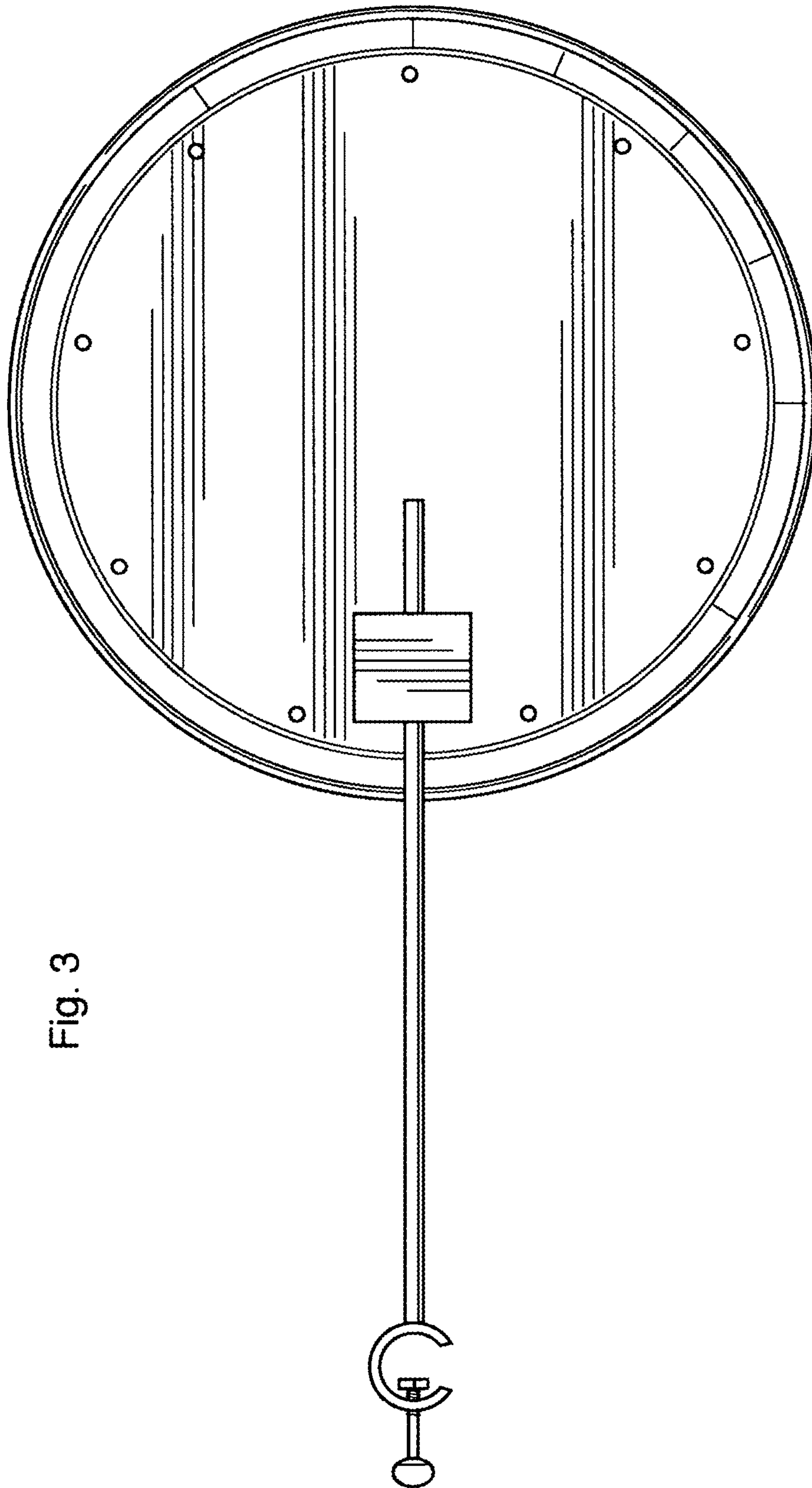
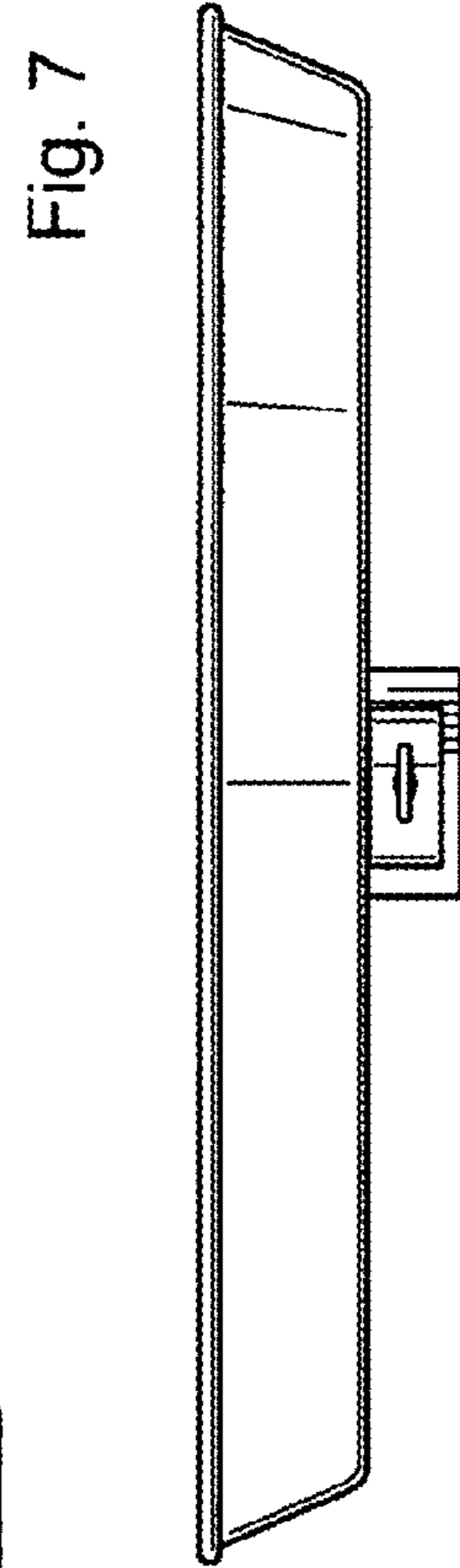
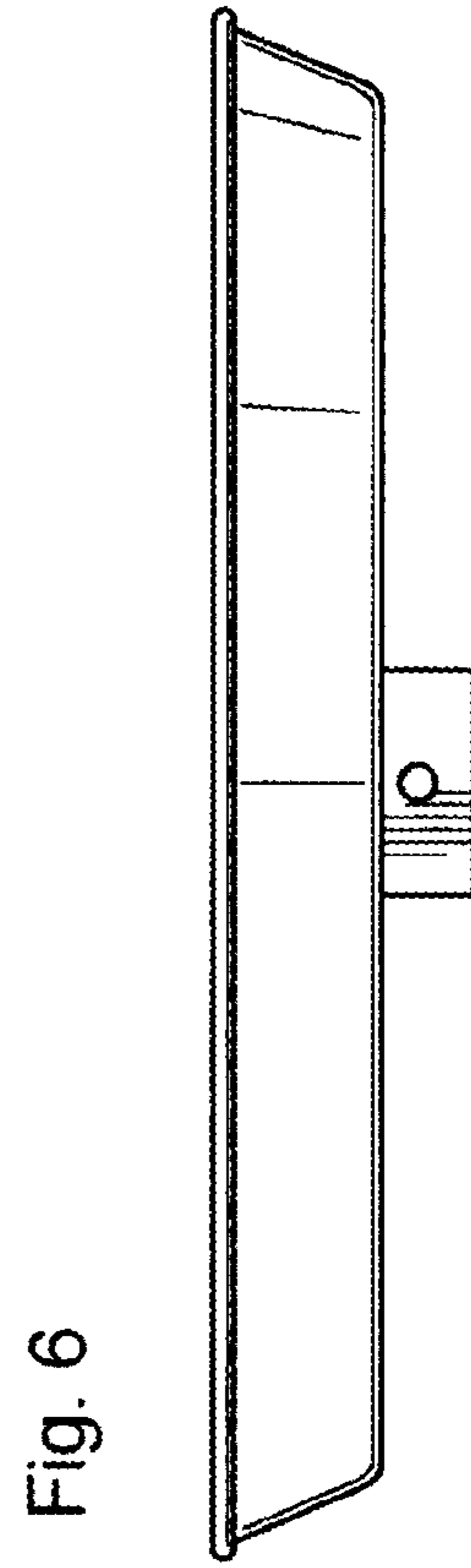
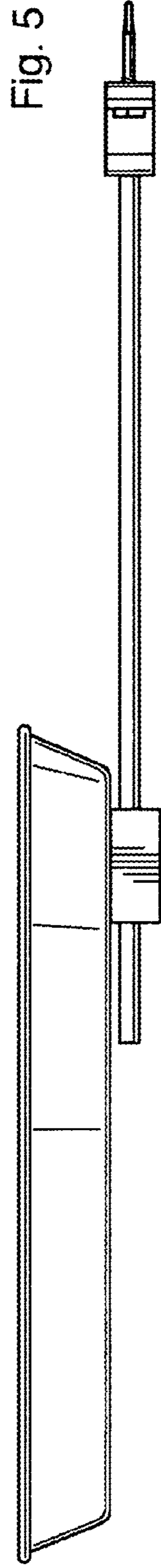
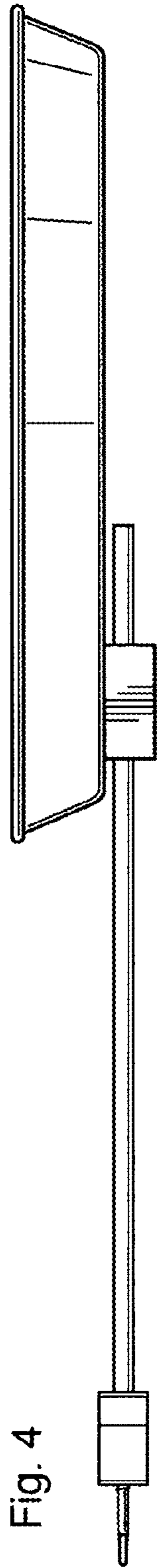


Fig. 3



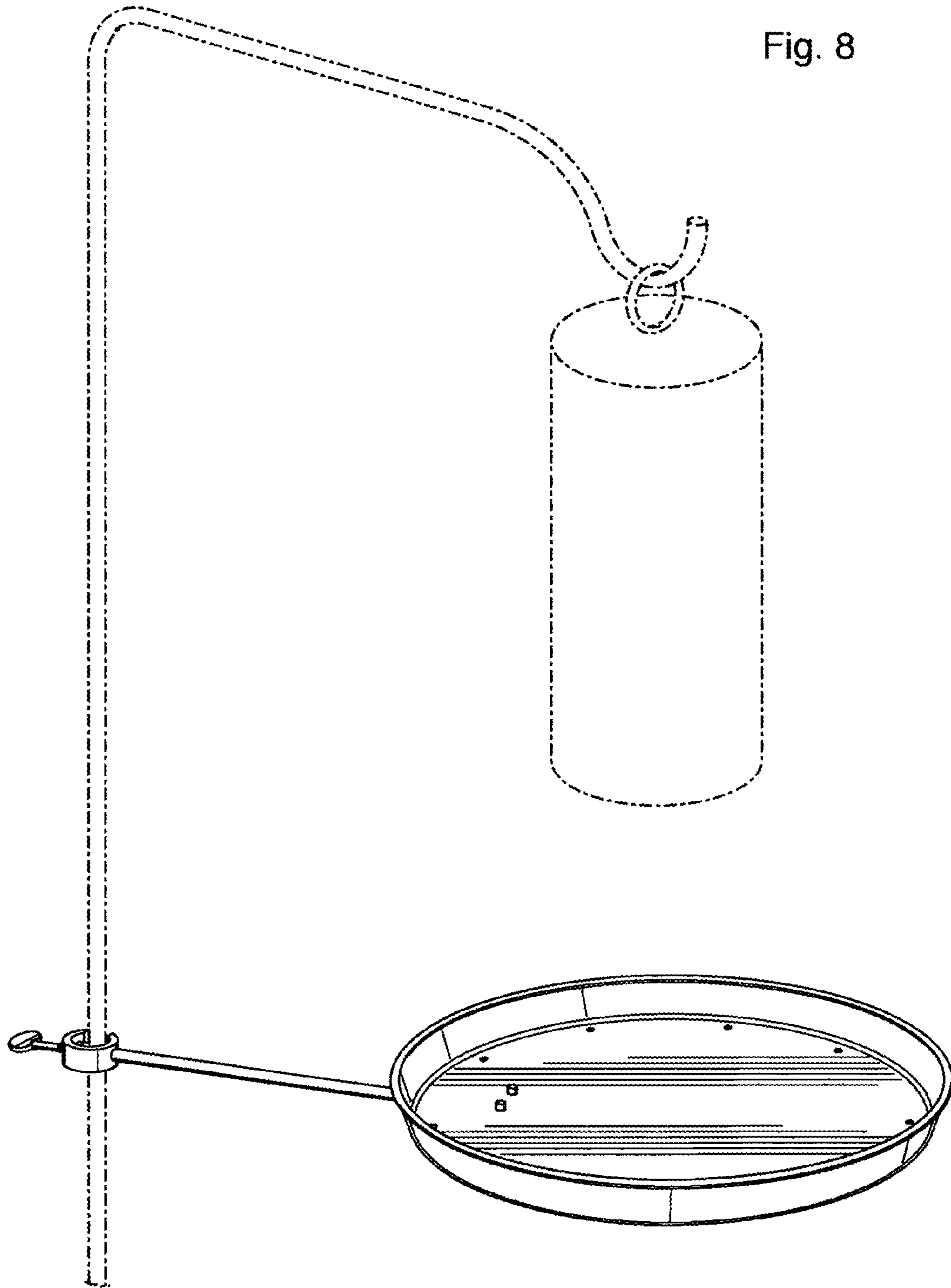


Fig. 8