



US00D782123S

(12) **United States Design Patent** (10) **Patent No.:** **US D782,123 S**
Lebel et al. (45) **Date of Patent:** **** Mar. 21, 2017**

(54) **HELMET ATTACHMENT**

(71) Applicant: **Revision Military S.a.r.L.**,
Luxembourg (LU)

(72) Inventors: **Stéphane Lebel**, St. Redempteur (CA);
Dominic Giroux Bernier, Montreal
(CA); **Celine Gagnon**, St-Jerome (CA);
Maryanne MacDougall, Lachine (CA);
Richard Coomber, Montreal (CA)

(73) Assignee: **Revision Military S.a.r.L.**,
Luxembourg (LU)

(**) Term: **15 Years**

(21) Appl. No.: **29/547,041**

(22) Filed: **Nov. 30, 2015**

(51) **LOC (10) Cl.** **29-02**

(52) **U.S. Cl.**
USPC **D29/122**

(58) **Field of Classification Search**

USPC D29/100, 102, 104, 105, 106, 107, 108,
D29/109, 110, 122; D2/872, 873, 882;
2/455, 421, 424, 425, 15, 10, 12, 427,
2/428,
2/429, 431, 432, 9, 6.3, 6.4, 6.5, 6.6, 6.7,
2/411, 5, 173, 206, 207, 209.12, 209.13,
2/205, 909, 195.1, 195.6; 446/27
CPC A42B 1/00; A42B 3/04
See application file for complete search history.

(56) **References Cited**

U.S. PATENT DOCUMENTS

D556,384 S * 11/2007 Dupuis D29/110
D632,437 S * 2/2011 Lebel D29/107

D635,305 S 3/2011 Lebel et al.
D638,138 S 5/2011 Wong
D638,139 S 5/2011 Jochman et al.
D670,447 S * 11/2012 Emrich D29/106
D704,897 S * 5/2014 Emrich D29/108
D709,653 S * 7/2014 Lebel D29/122
D735,949 S * 8/2015 Dion D29/122
D740,496 S * 10/2015 Noordzij D29/122
2011/0113519 A1 5/2011 Gendron et al.
2011/0113535 A1 5/2011 Lebel et al.
2012/0117717 A1 5/2012 McGinn et al.
2014/0189938 A1 7/2014 Redpath et al.

* cited by examiner

Primary Examiner — Randall Gholson

(74) *Attorney, Agent, or Firm* — Wolf, Greenfield &
Sacks, P.C.

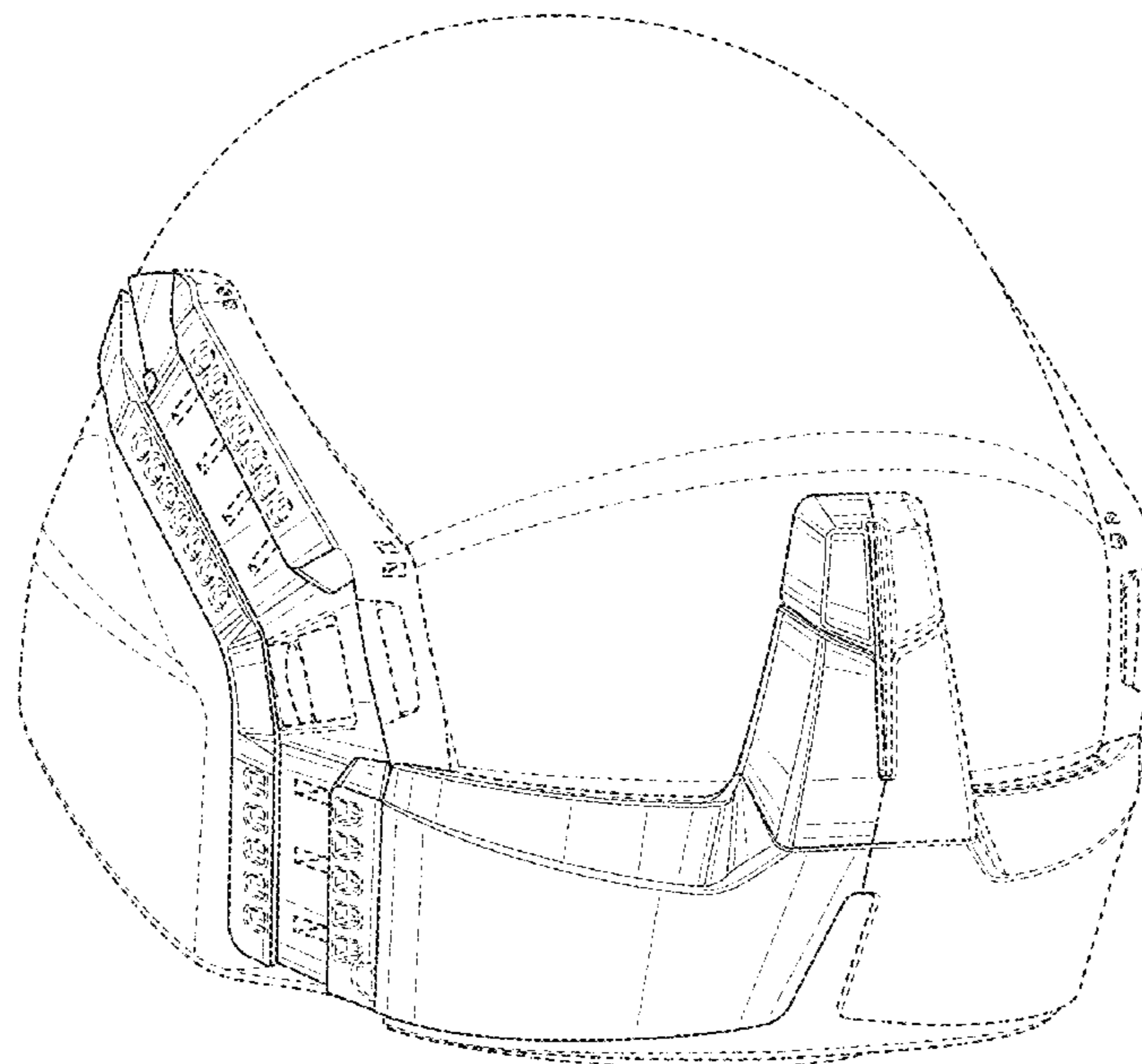
(57) **CLAIM**

The ornamental design for a helmet attachment, as shown
and described.

DESCRIPTION

FIG. 1 is a top, rear, right side perspective view of a helmet
attachment showing our new design;
FIG. 2 is a rear elevational view thereof;
FIG. 3 is a front elevational view thereof;
FIG. 4 is a right side elevational view thereof;
FIG. 5 is a left side elevational view thereof;
FIG. 6 is a top plan view thereof; and,
FIG. 7 is a bottom plan view thereof.
The dot-dash broken lines shown in FIGS. 1, 2 and 6 define
boundaries of the claimed design and form no part thereof.
All other broken lines shown in FIGS. 1-7 represent
unclaimed portions of the helmet attachment and form no
part of the claimed design.

1 Claim, 7 Drawing Sheets



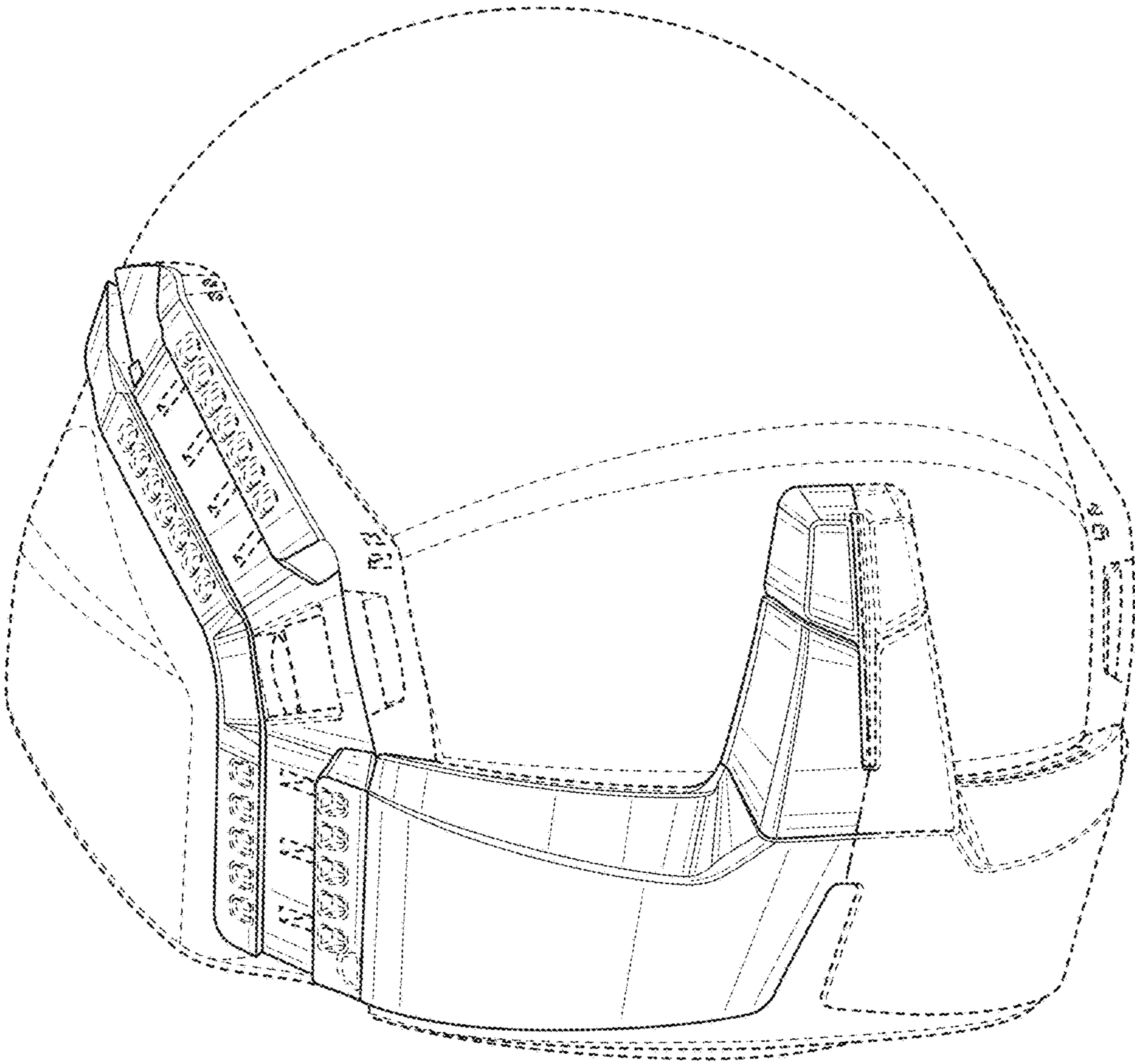


FIG. 1

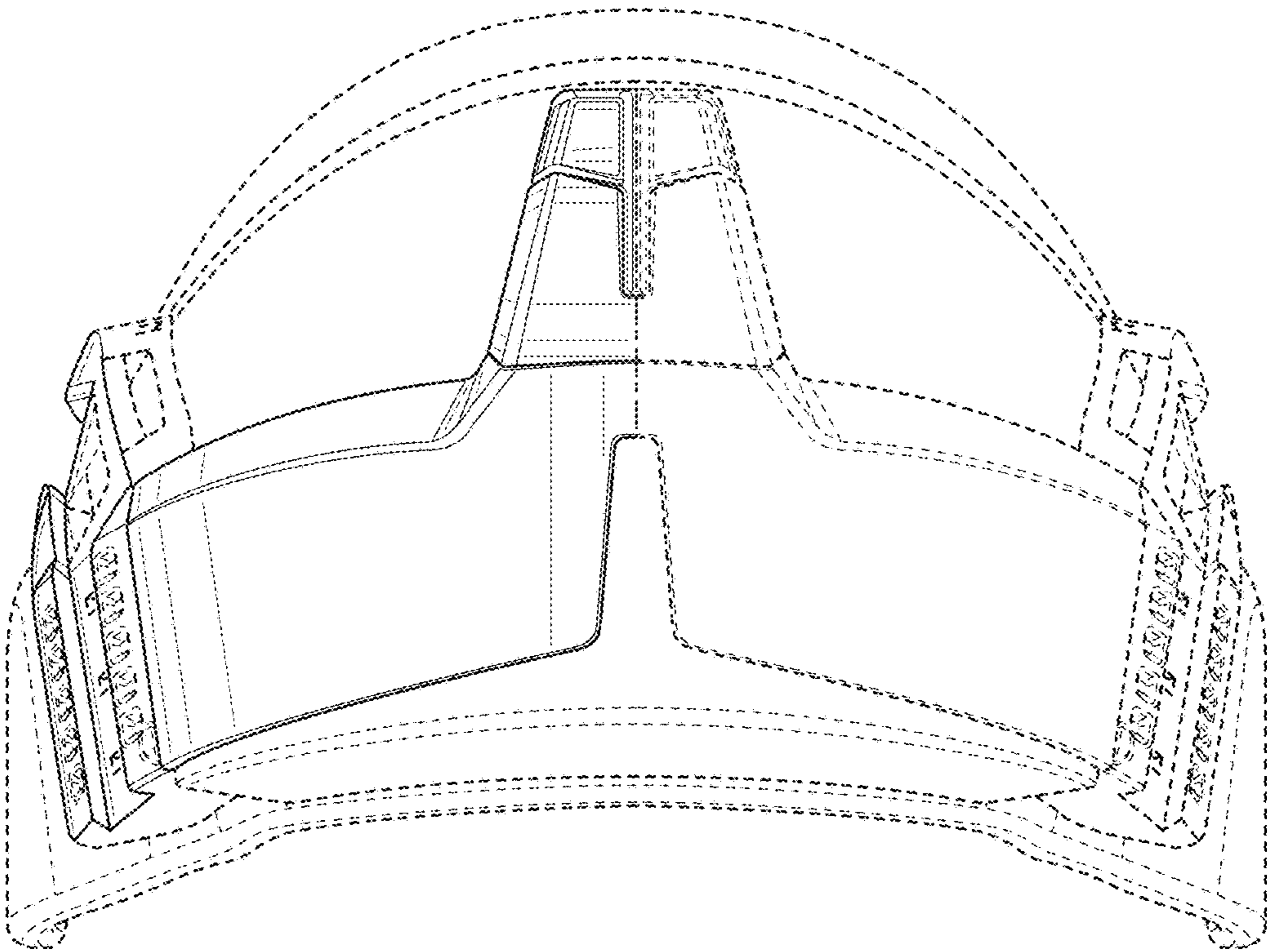


FIG. 2

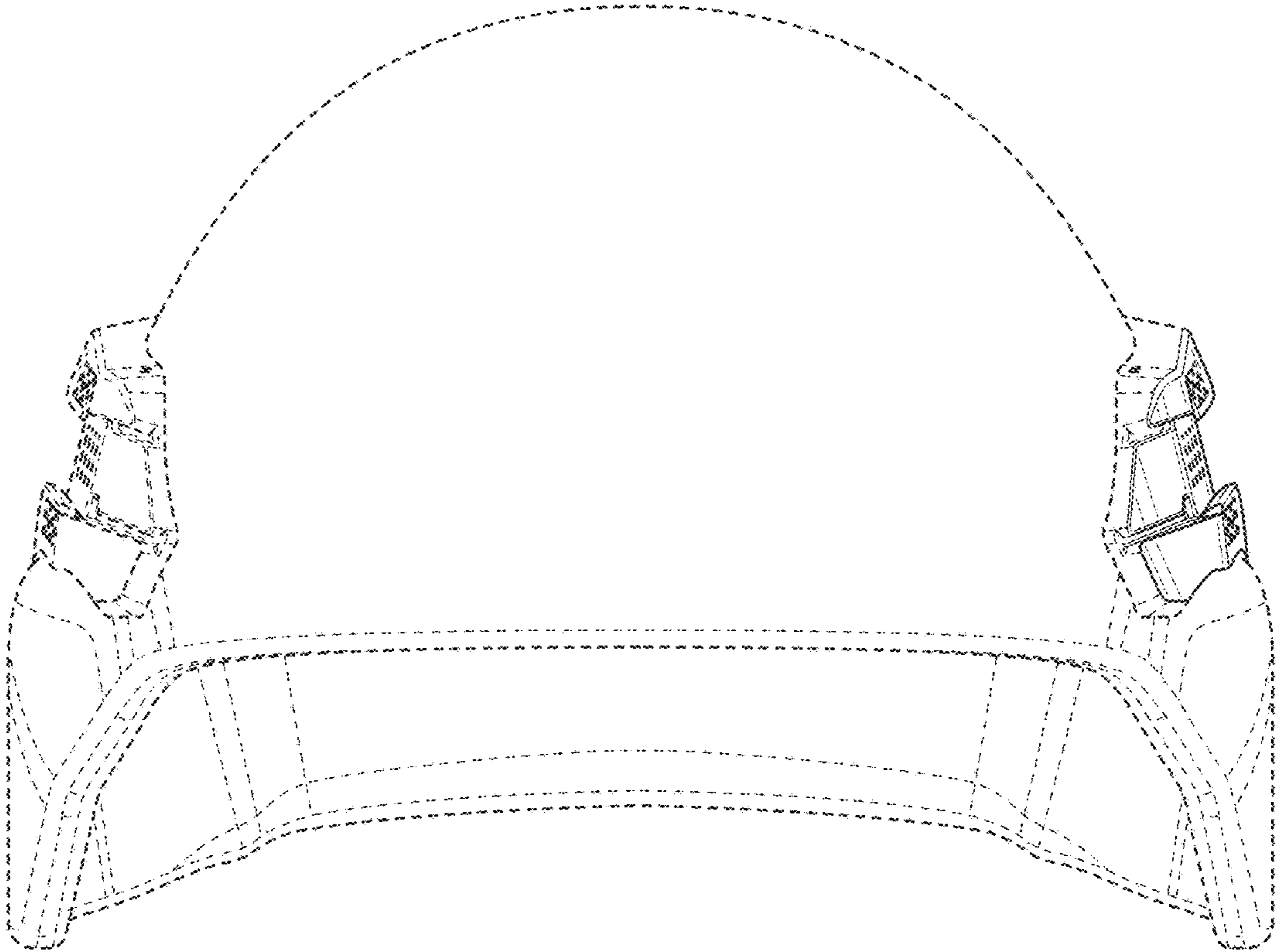


FIG. 3

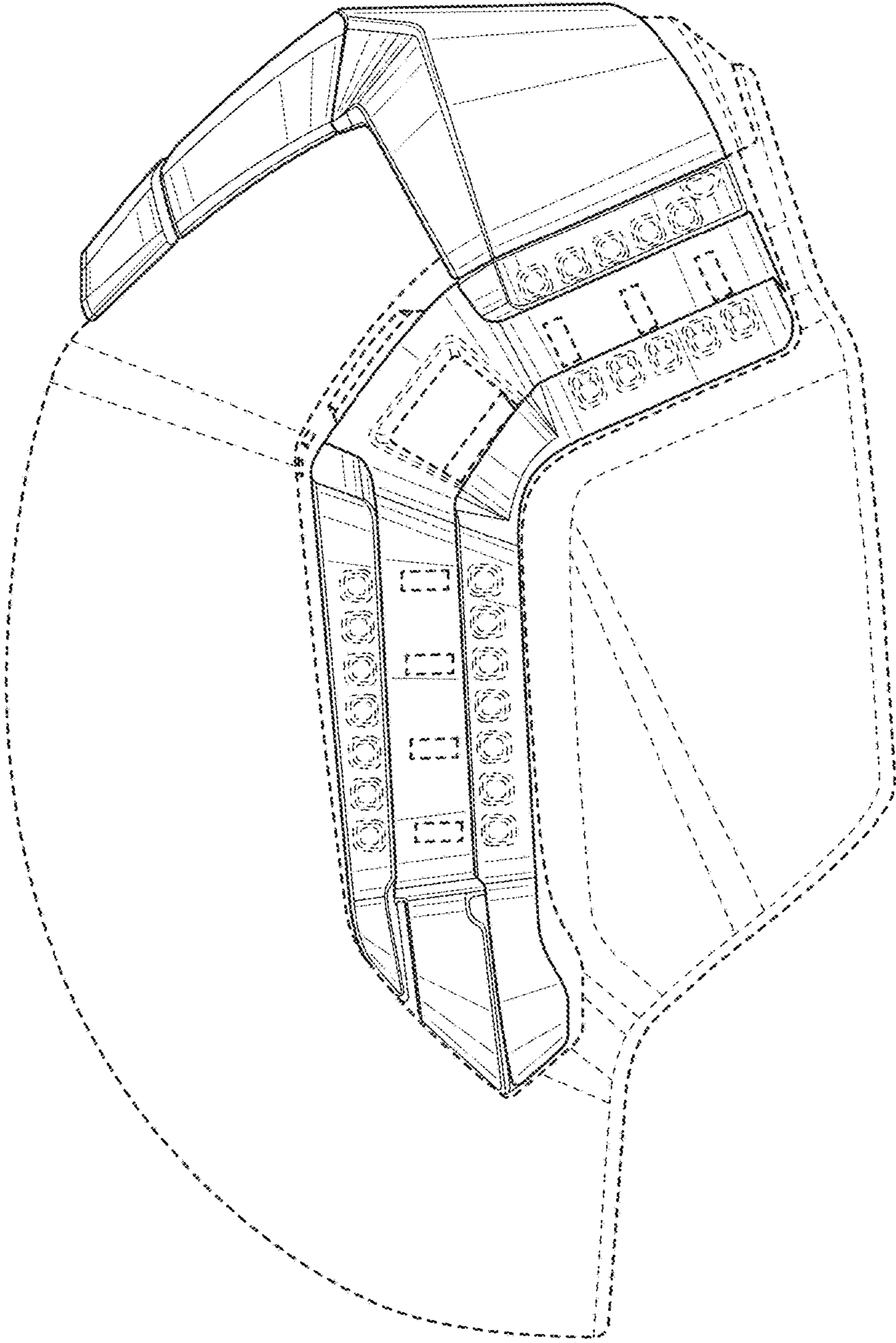


FIG. 4

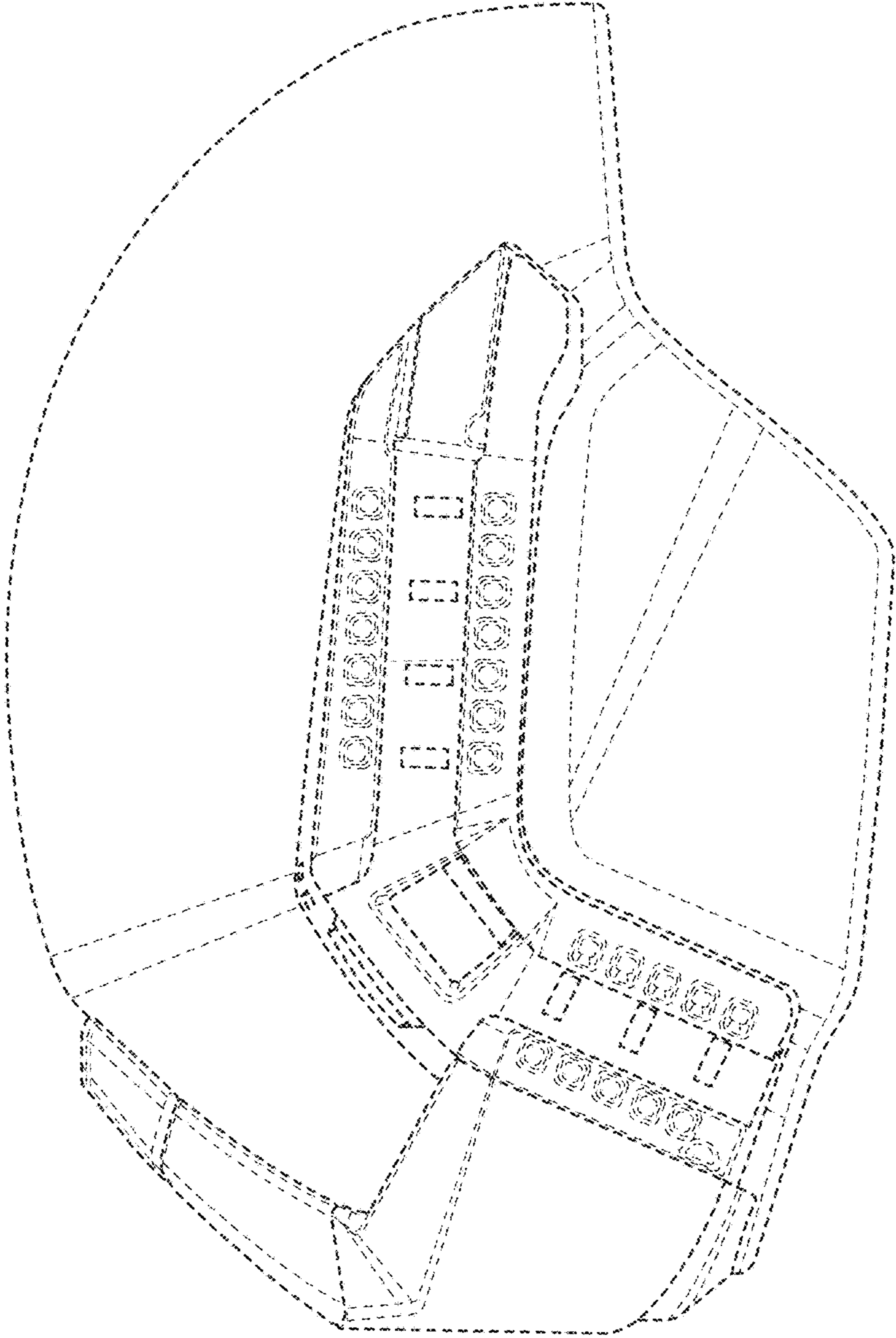


FIG. 5

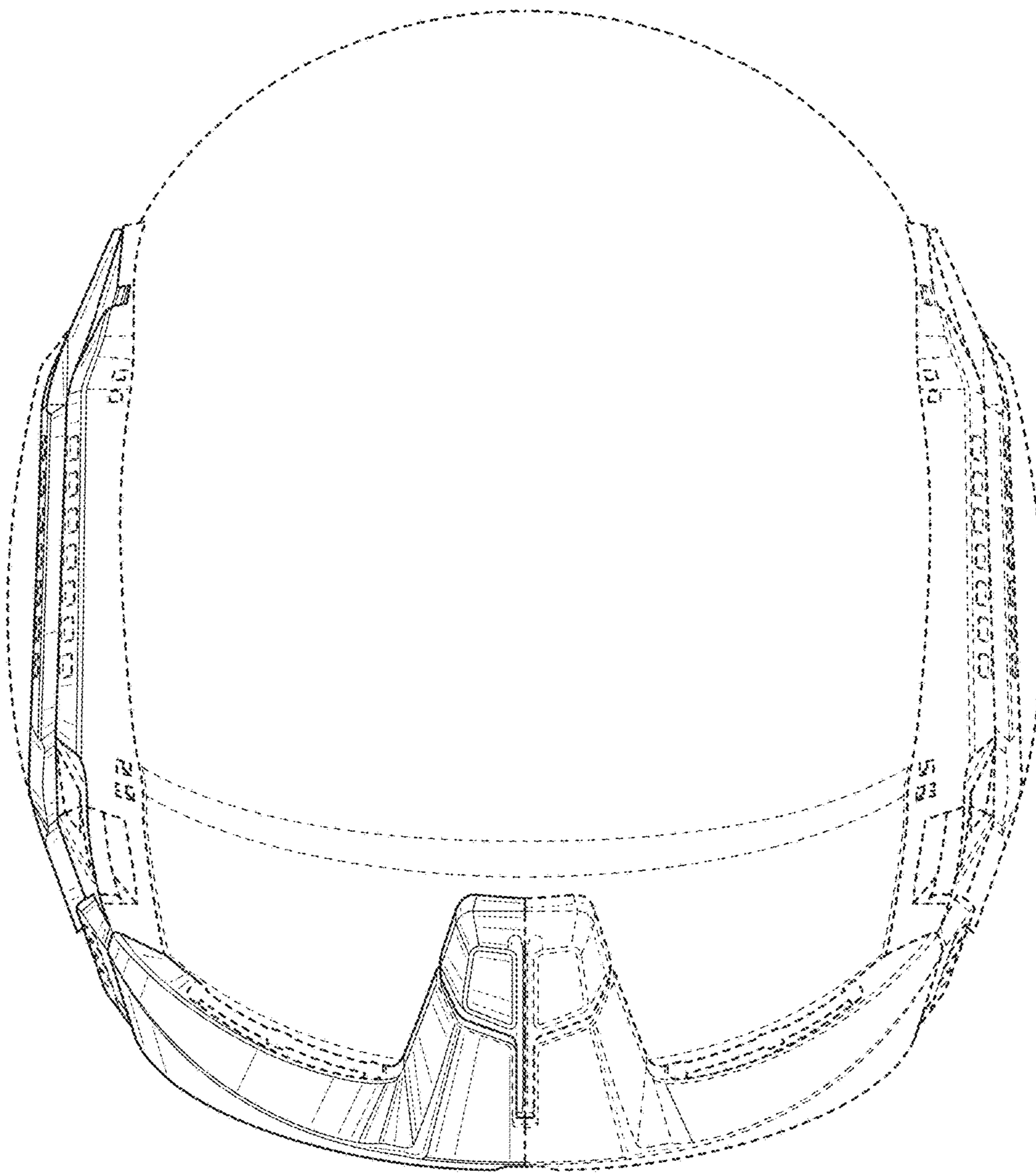


FIG. 6

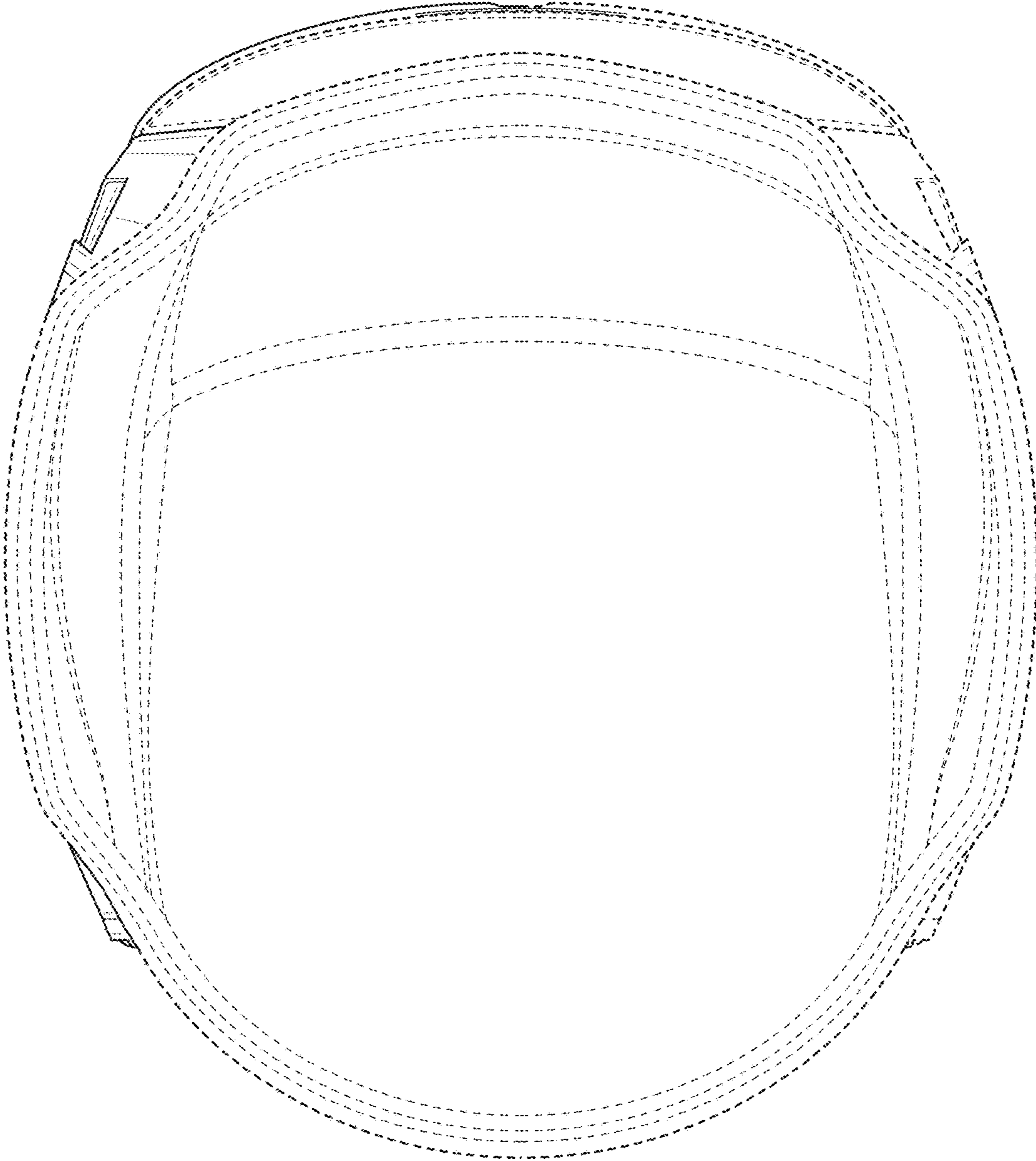


FIG. 7