



US00D782122S

(12) **United States Design Patent** (10) **Patent No.:** **US D782,122 S**
Lebel et al. (45) **Date of Patent:** **** Mar. 21, 2017**

(54) **HELMET**

(71) Applicant: **Revision Military S.a.r.L.**,
Luxembourg (LU)

(72) Inventors: **Stéphane Lebel**, St. Redempteur (CA);
Dominic Giroux Bernier, Montreal
(CA); **Celine Gagnon**, St-Jerome (CA);
Maryanne MacDougall, Lachine (CA);
Richard Coomber, Montreal (CA)

(73) Assignee: **Revision Military S.a.r.L.**,
Luxembourg (LU)

(**) Term: **15 Years**

(21) Appl. No.: **29/547,035**

(22) Filed: **Nov. 30, 2015**

(51) **LOC (10) Cl.** **29-02**

(52) **U.S. Cl.**

USPC **D29/122**

(58) **Field of Classification Search**

USPC D29/100, 102, 104, 105, 106, 107, 108,
D29/109, 110, 122

CPC .. A42B 1/066; A42B 1/00; A42B 1/06; A42B
3/228; A42B 3/00; A42B 3/08; A42B
3/32; A42B 3/222; A42B 3/20; A42B
3/227; A42B 3/105; A42B 3/04; A42B
3/06; A42B 3/0406; A42B 3/18; A42B
3/166; A42B 3/16; A42B 3/22; A42B
3/0473; A42B 3/127; A63B 71/10; A63B
71/105; A41D 13/0512

See application file for complete search history.

(56) **References Cited**

U.S. PATENT DOCUMENTS

D577,156 S * 9/2008 Udelhofen D29/122
D628,347 S * 11/2010 Chen D29/106

D632,437 S 2/2011 Lebel et al.
D640,010 S * 6/2011 Mateu Codina D29/105
D735,950 S * 8/2015 Dion D29/122
2012/0117717 A1 5/2012 McGinn et al.
2013/0191974 A1 8/2013 Lebel et al.
2013/0291290 A1 11/2013 Bernier et al.
2015/0026872 A1 1/2015 Giroux et al.
2015/0282549 A1 10/2015 Lebel et al.

* cited by examiner

Primary Examiner — Randall Gholson

(74) *Attorney, Agent, or Firm* — Wolf, Greenfield &
Sacks, P.C.

(57) **CLAIM**

The ornamental design for a helmet, as shown and
described.

DESCRIPTION

FIG. 1 is a top, front, right side perspective view of a helmet
according to our new design;

FIG. 2 is a front elevational view thereof;

FIG. 3 is a rear elevational view thereof;

FIG. 4 is a top plan view thereof;

FIG. 5 is a bottom plan view thereof; and

FIG. 6 is a right side elevational view thereof; and,

FIG. 7 is a left side elevational view thereof.

The dot-dash broken lines shown in FIGS. 1-6 define
boundaries of the claimed design and form no part thereof.
All other broken lines shown in FIGS. 1-7 represent
unclaimed portions of the helmet and form no part of the
claimed design.

1 Claim, 6 Drawing Sheets

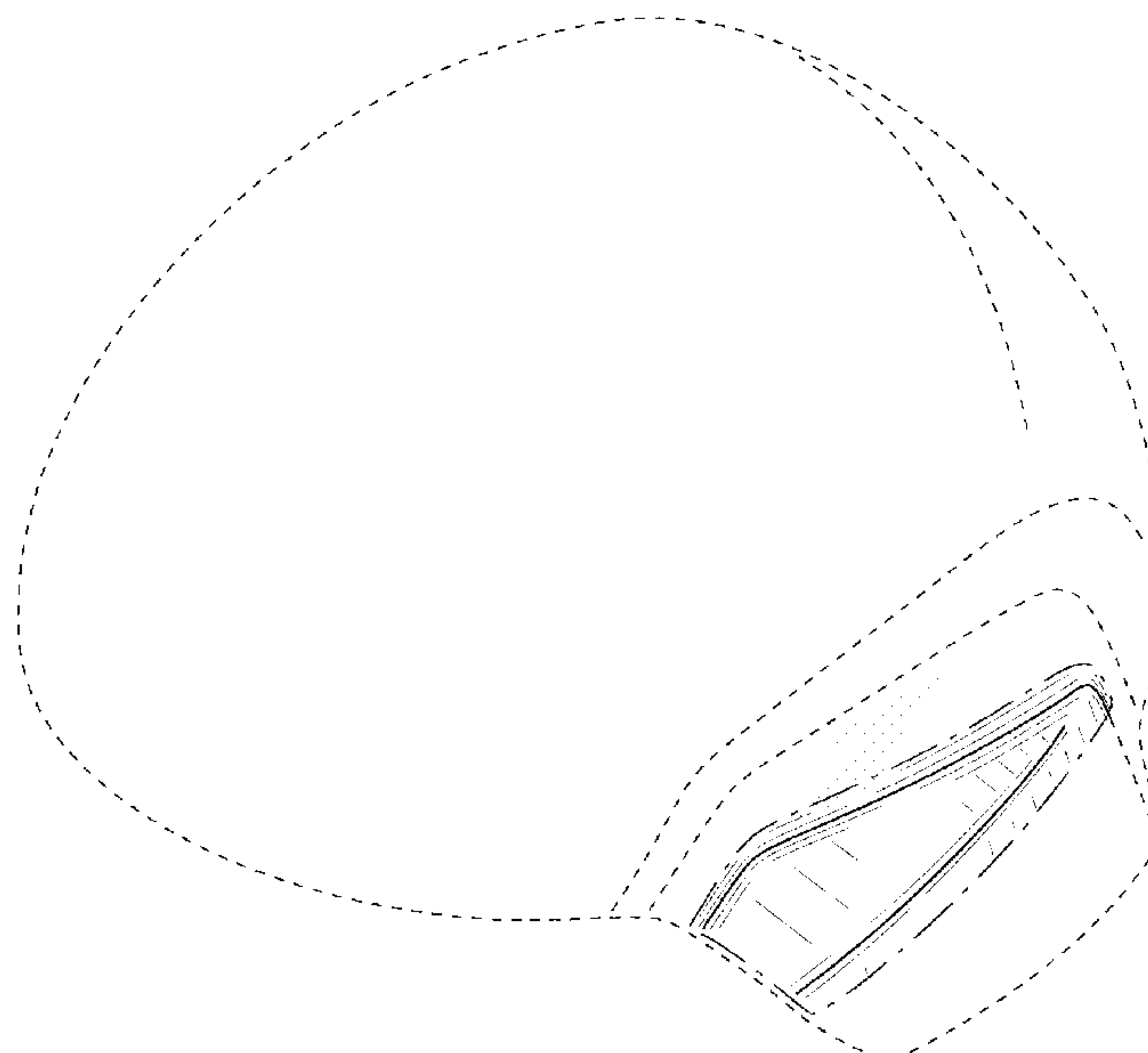


FIG. 1

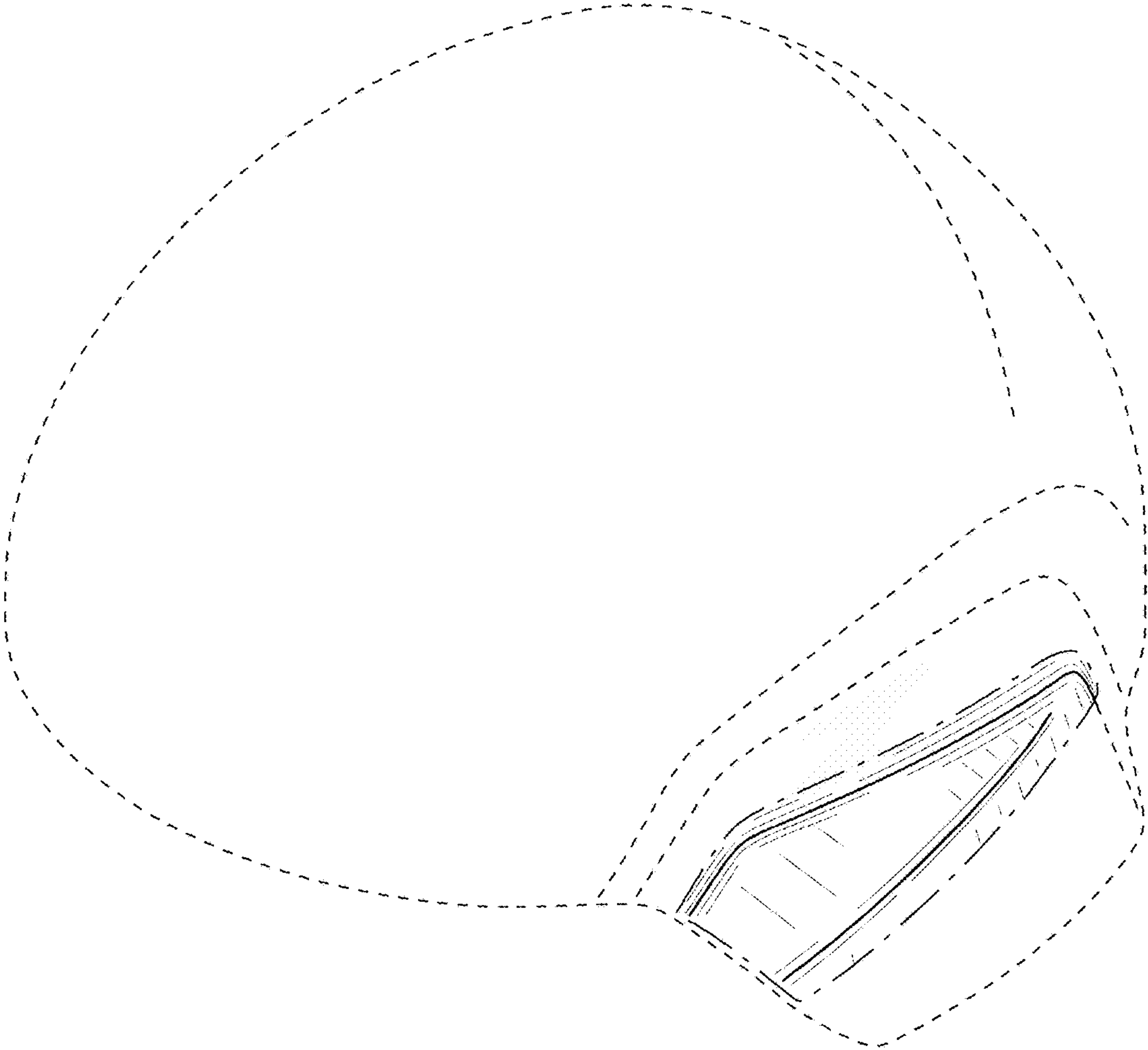


FIG. 2

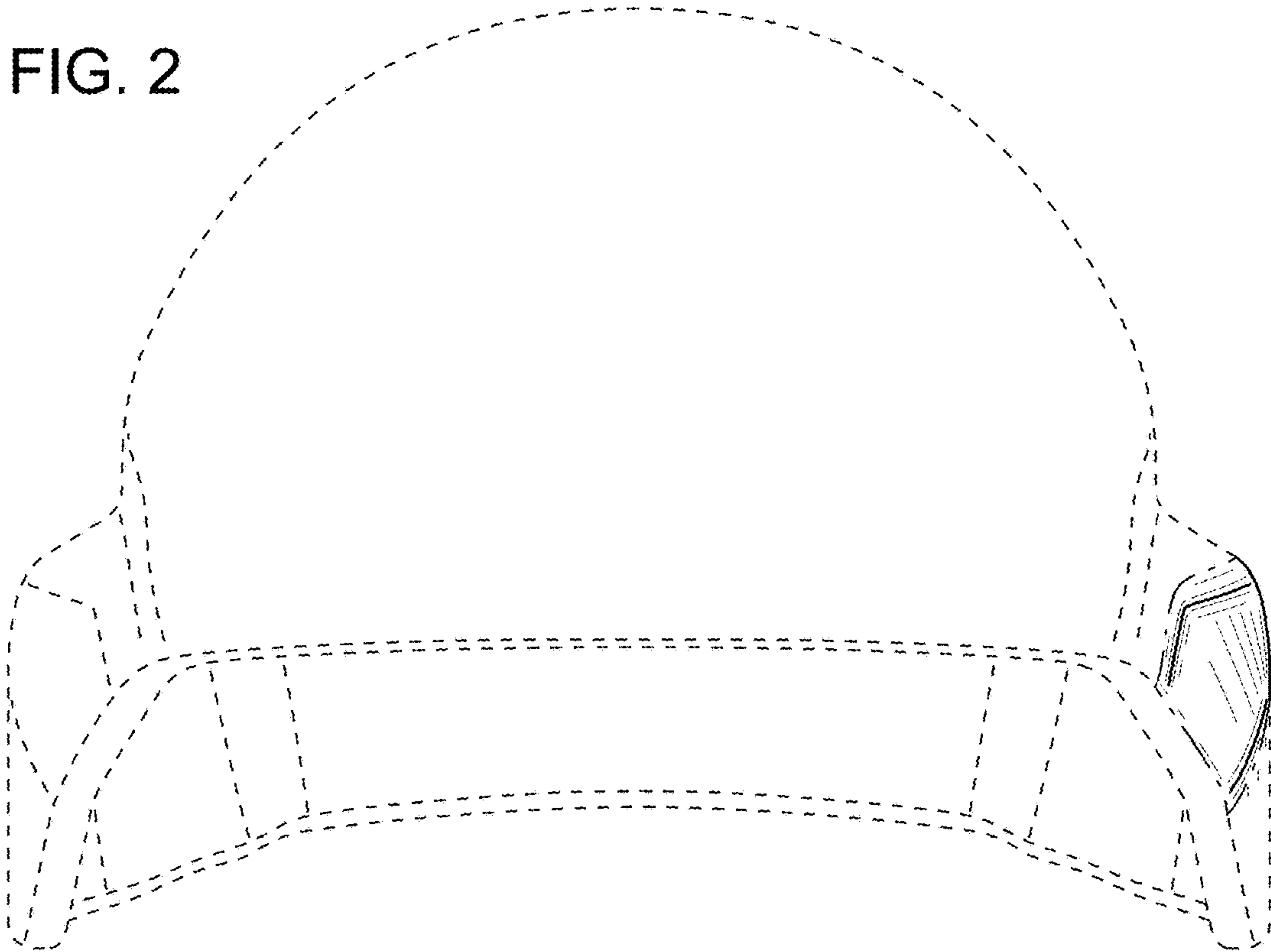


FIG. 3

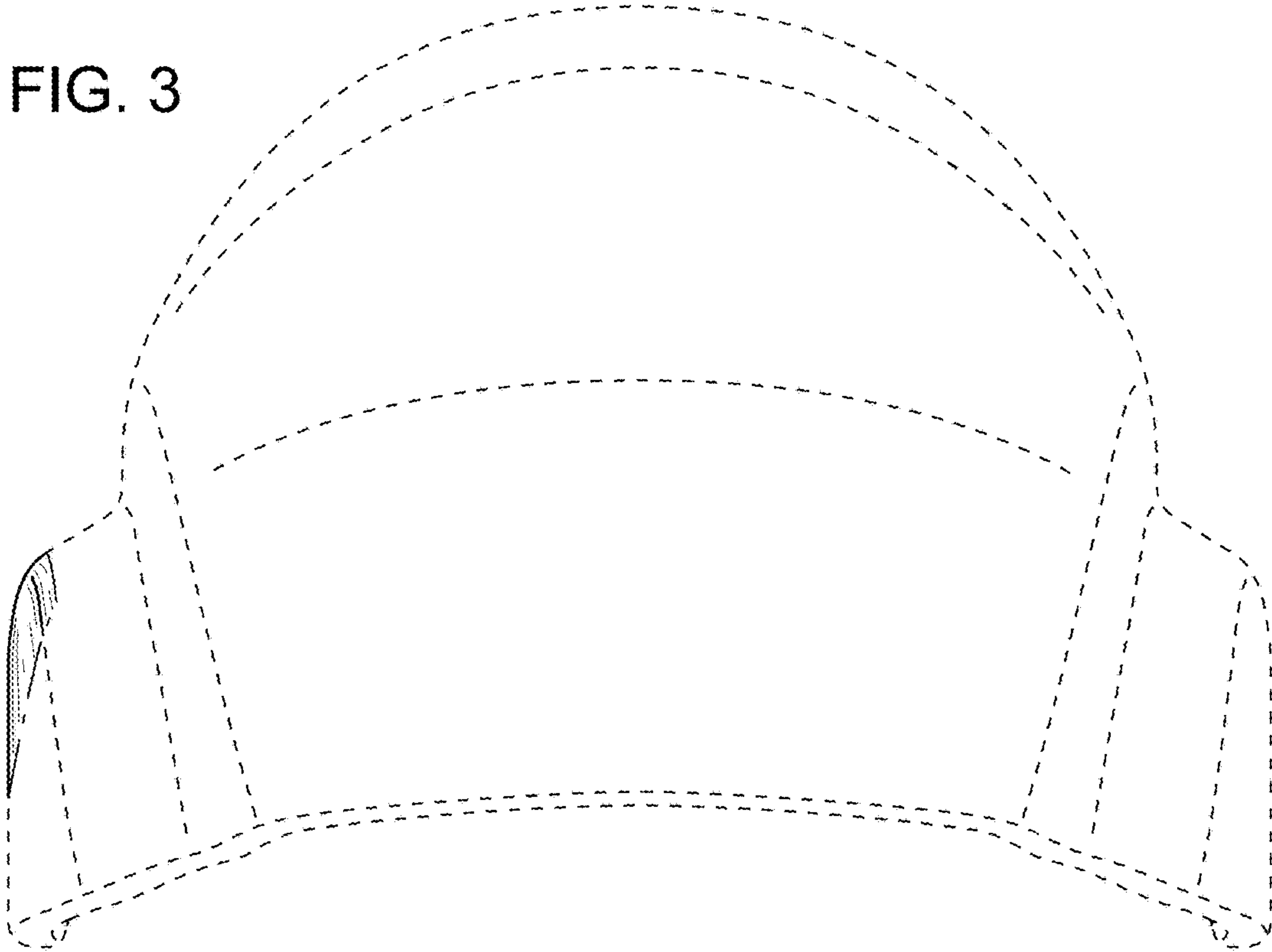


FIG. 4

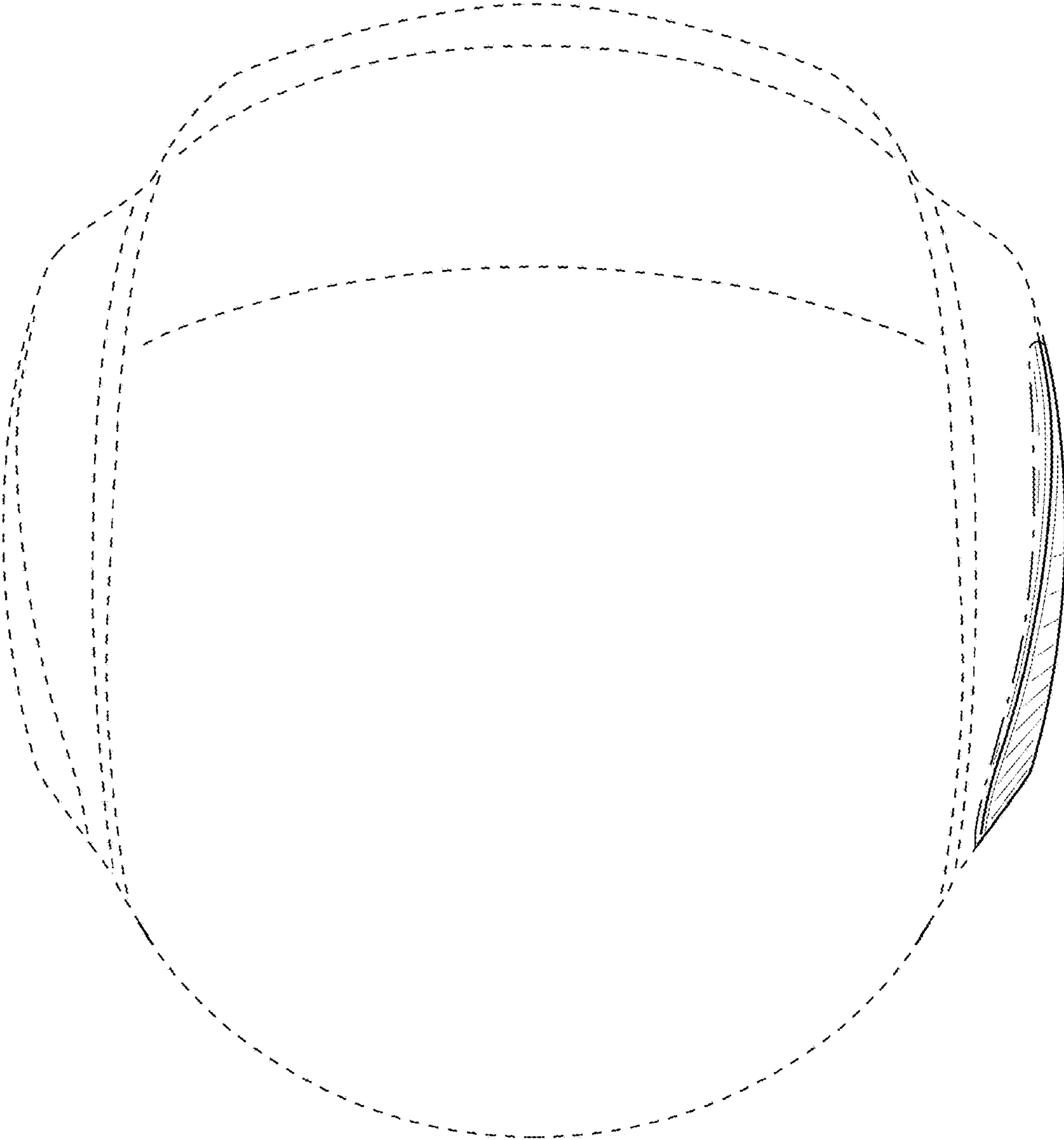


FIG. 5

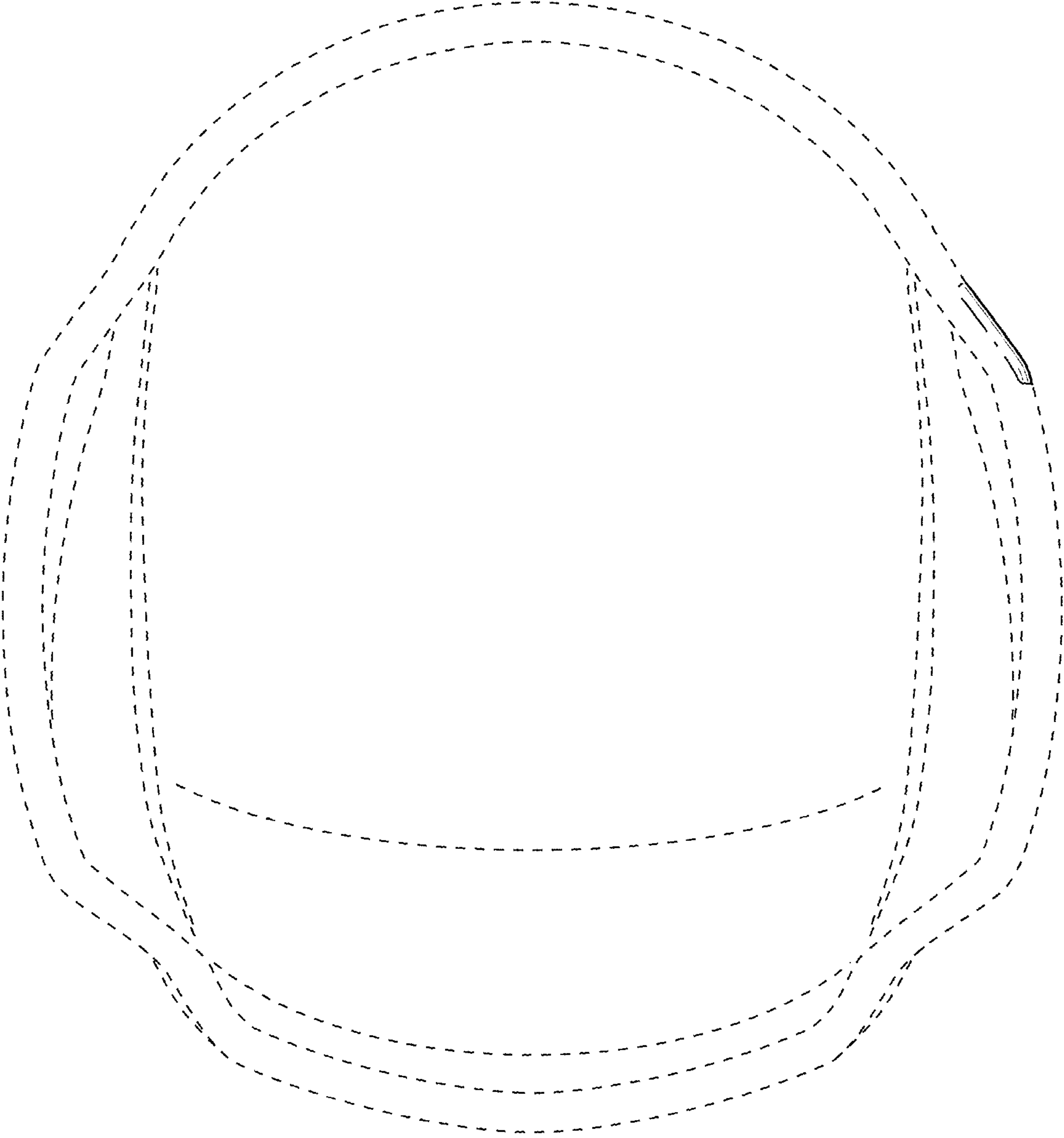


FIG. 6

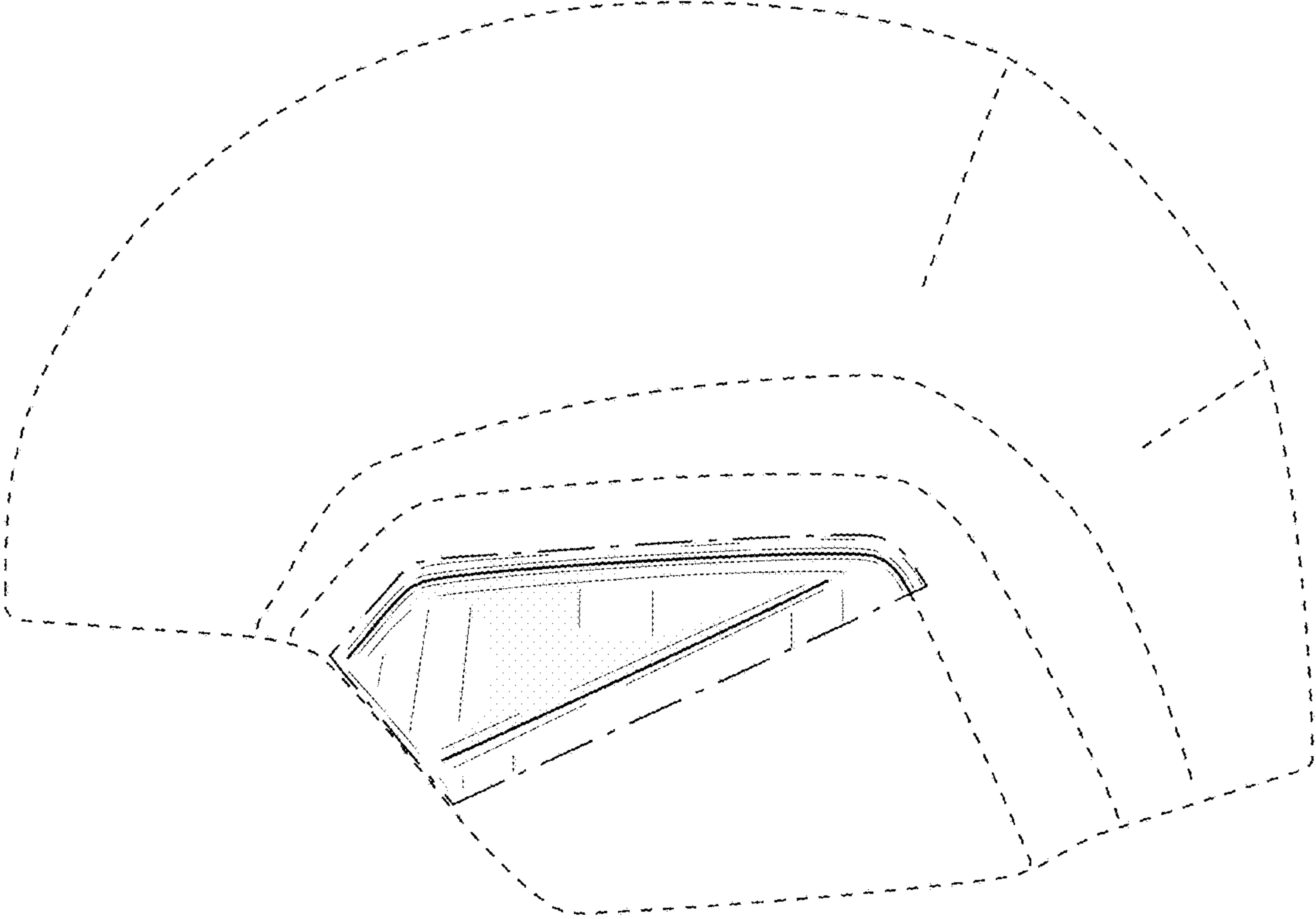


FIG. 7

