



US00D782121S

(12) **United States Design Patent** (10) **Patent No.:** **US D782,121 S**  
**Lebel et al.** (45) **Date of Patent:** **\*\* Mar. 21, 2017**

(54) **HELMET**

(71) Applicant: **Revision Military S.a.r.L.,**  
Luxembourg (LU)

(72) Inventors: **Stéphane Lebel**, St. Redempteur (CA);  
**Dominic Giroux Bernier**, Montreal  
(CA); **Celine Gagnon**, St-Jerome (CA);  
**Maryanne MacDougall**, Lachine (CA);  
**Richard Coomber**, Montreal (CA)

(73) Assignee: **Revision Military S.a.r.L.,**  
Luxembourg (LU)

(\*\*) Term: **15 Years**

(21) Appl. No.: **29/547,034**

(22) Filed: **Nov. 30, 2015**

(51) **LOC (10) Cl.** ..... **29-02**

(52) **U.S. Cl.**  
USPC ..... **D29/122**

(58) **Field of Classification Search**  
USPC ..... D29/100, 102, 104, 105, 106, 107, 108,  
D29/109, 110, 122

CPC .. A42B 1/066; A42B 1/00; A42B 1/06; A42B  
3/228; A42B 3/00; A42B 3/08; A42B  
3/32; A42B 3/222; A42B 3/20; A42B  
3/227; A42B 3/105; A42B 3/04; A42B  
3/06; A42B 3/0406; A42B 3/18; A42B  
3/166; A42B 3/16; A42B 3/22; A42B  
3/0473; A42B 3/127; A63B 71/10; A63B  
71/105; A41D 13/0512

See application file for complete search history.

(56) **References Cited**

**U.S. PATENT DOCUMENTS**

D376,674 S \* 12/1996 Kamata ..... D29/107  
D446,357 S \* 8/2001 Shida ..... D29/107

D492,450 S \* 6/2004 Fournier ..... D29/122  
D511,227 S \* 11/2005 Canavan ..... D29/122  
D513,094 S \* 12/2005 Dorian ..... D29/107  
D524,992 S \* 7/2006 Belin ..... D29/122  
7,181,777 B2\* 2/2007 Choi ..... A42B 3/222  
2/424  
D632,437 S 2/2011 Lebel et al.  
D692,187 S \* 10/2013 Isobe ..... D29/110  
D735,949 S \* 8/2015 Dion ..... D29/122  
2012/0117717 A1 5/2012 McGinn et al.  
2013/0191974 A1 8/2013 Lebel et al.  
2013/0291290 A1 11/2013 Bernier et al.  
2015/0026872 A1 1/2015 Giroux et al.

\* cited by examiner

*Primary Examiner* — Randall Gholson

(74) *Attorney, Agent, or Firm* — Wolf, Greenfield &  
Sacks, P.C.

(57) **CLAIM**

The ornamental design for a helmet, as shown and  
described.

**DESCRIPTION**

FIG. 1 is a top, rear, left side perspective view of a helmet  
according to our new design;  
FIG. 2 is a front elevational view thereof;  
FIG. 3 is a rear elevational view thereof;  
FIG. 4 is a top plan view thereof;  
FIG. 5 is a bottom plan view thereof; and,  
FIG. 6 is a right side elevational view thereof, the left side  
elevational view being a mirror image of FIG. 6.  
The dot-dash broken lines shown in FIGS. 1, 3-4, and 6  
define boundaries of the claimed design and form no part  
thereof. All other broken lines shown in FIGS. 1-6 represent  
unclaimed portions of the helmet and form no part of the  
claimed design.

**1 Claim, 5 Drawing Sheets**

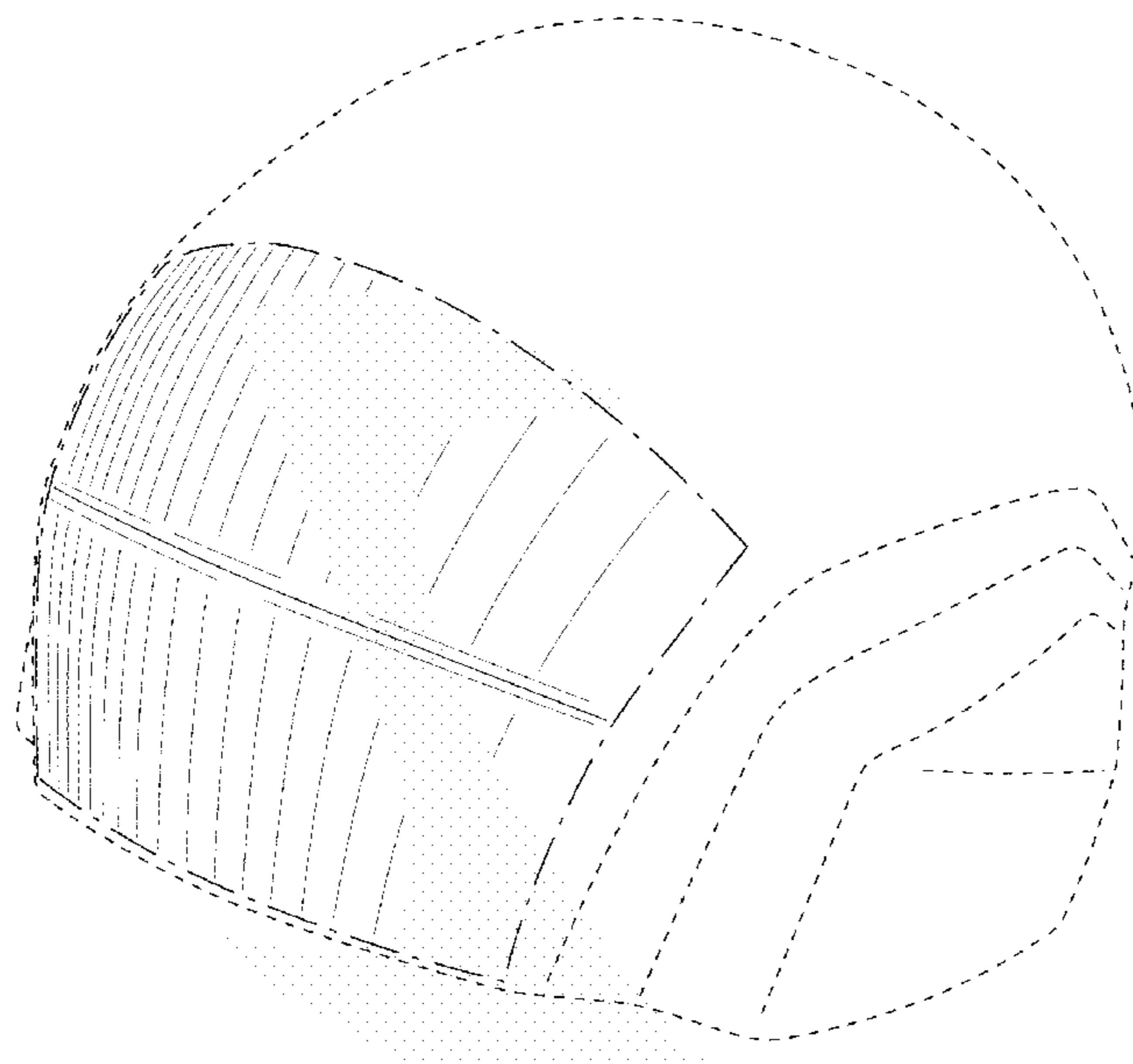


FIG. 1

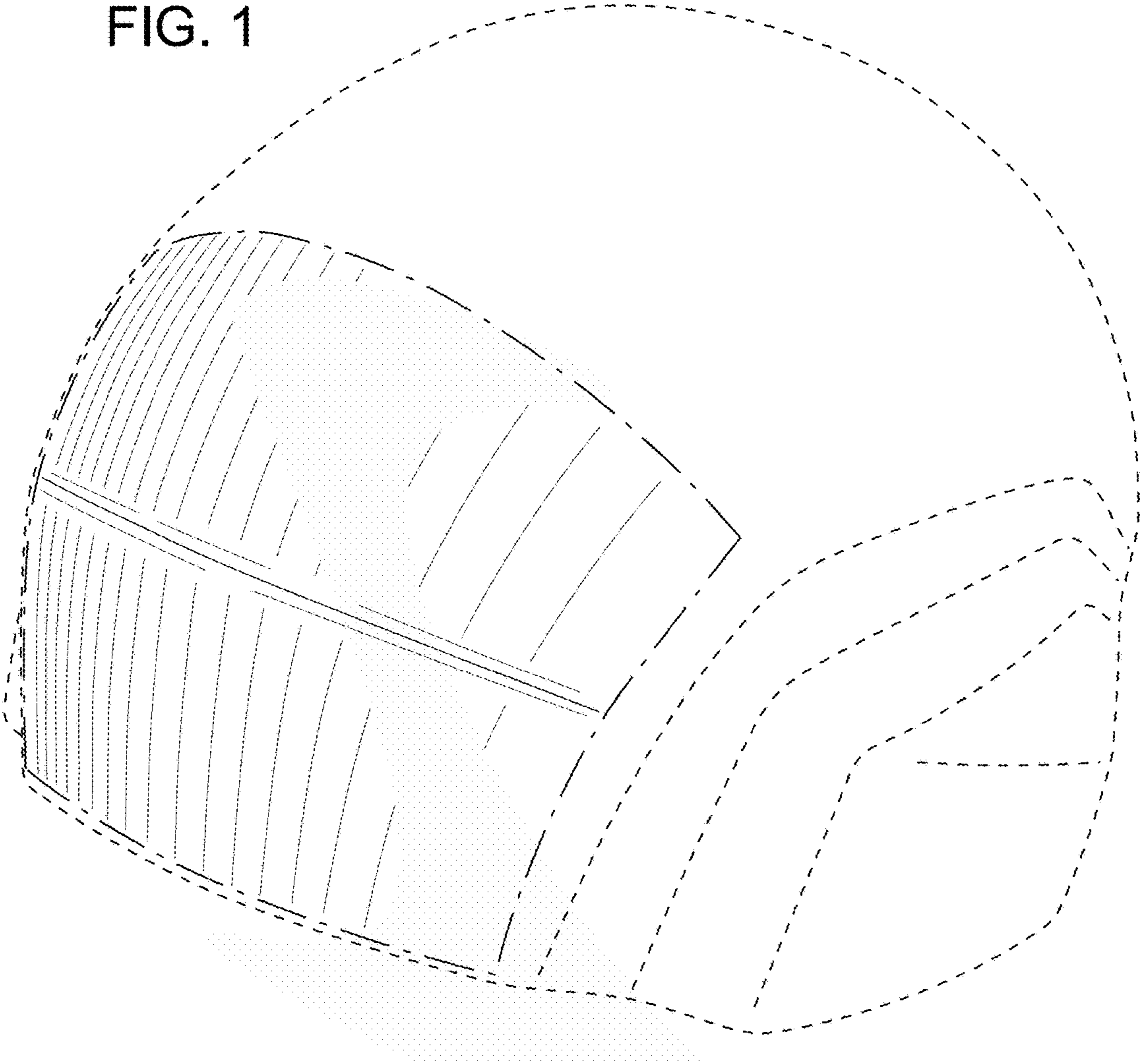


FIG. 2

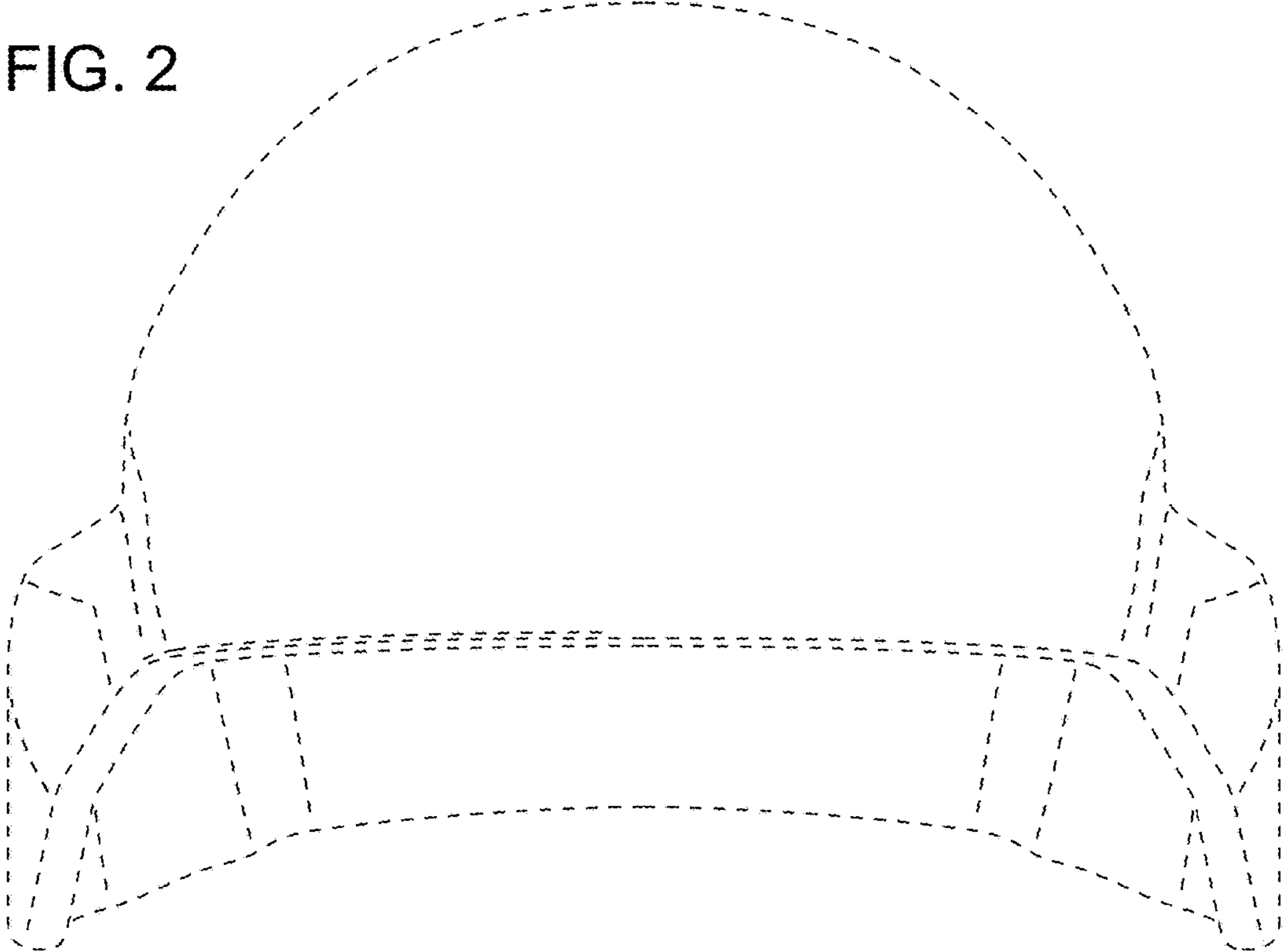


FIG. 3

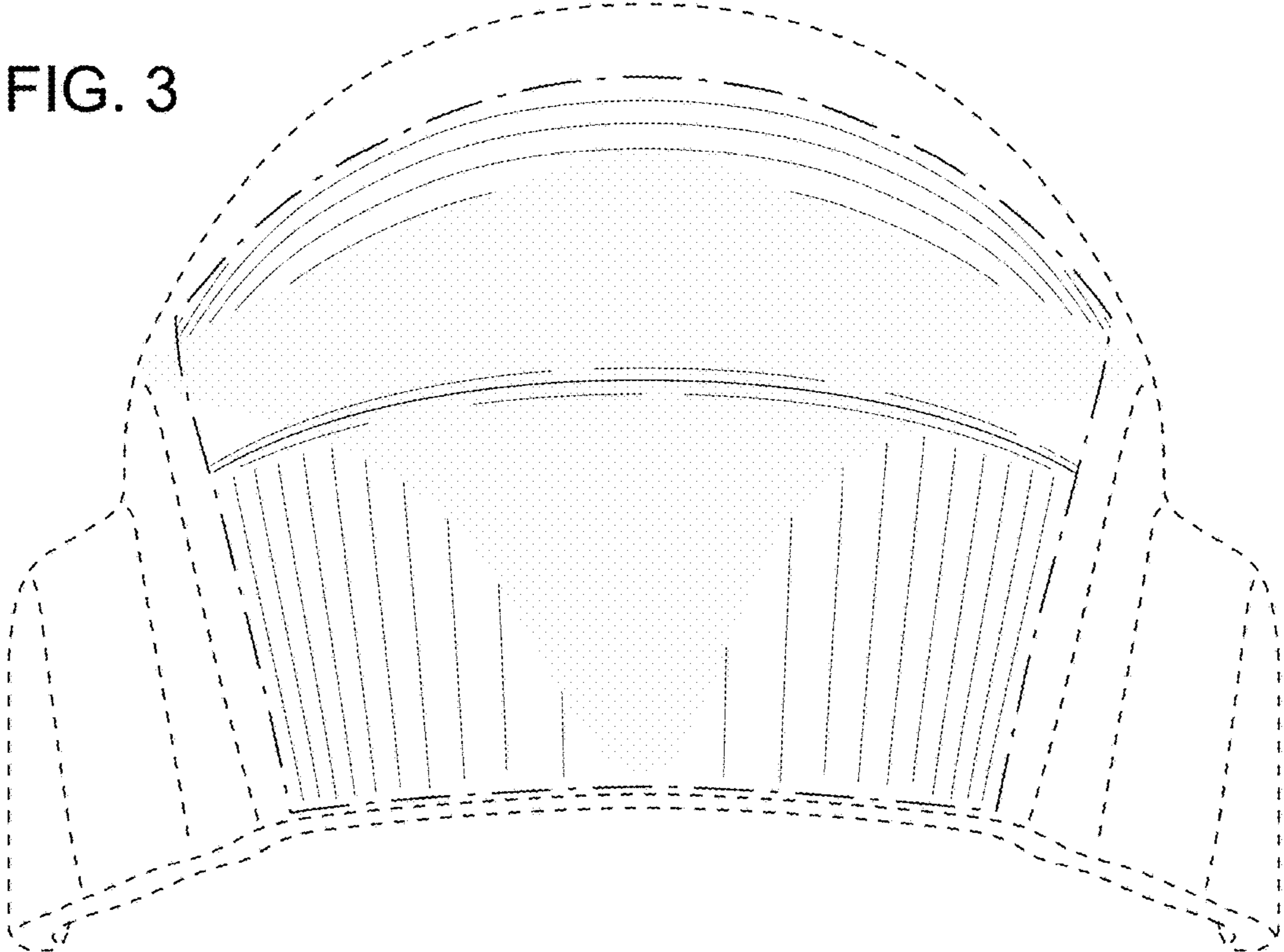


FIG. 4

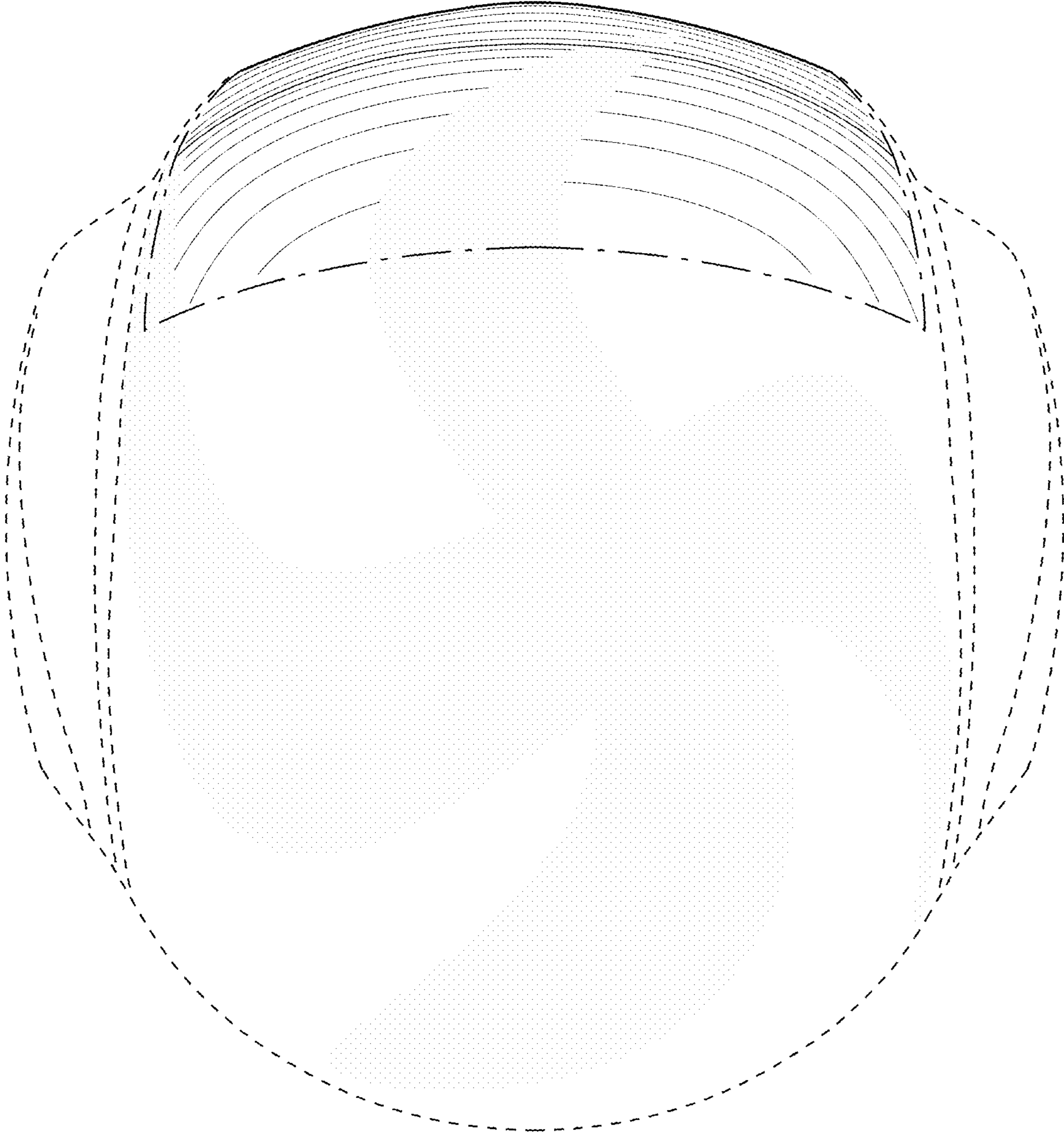


FIG. 5

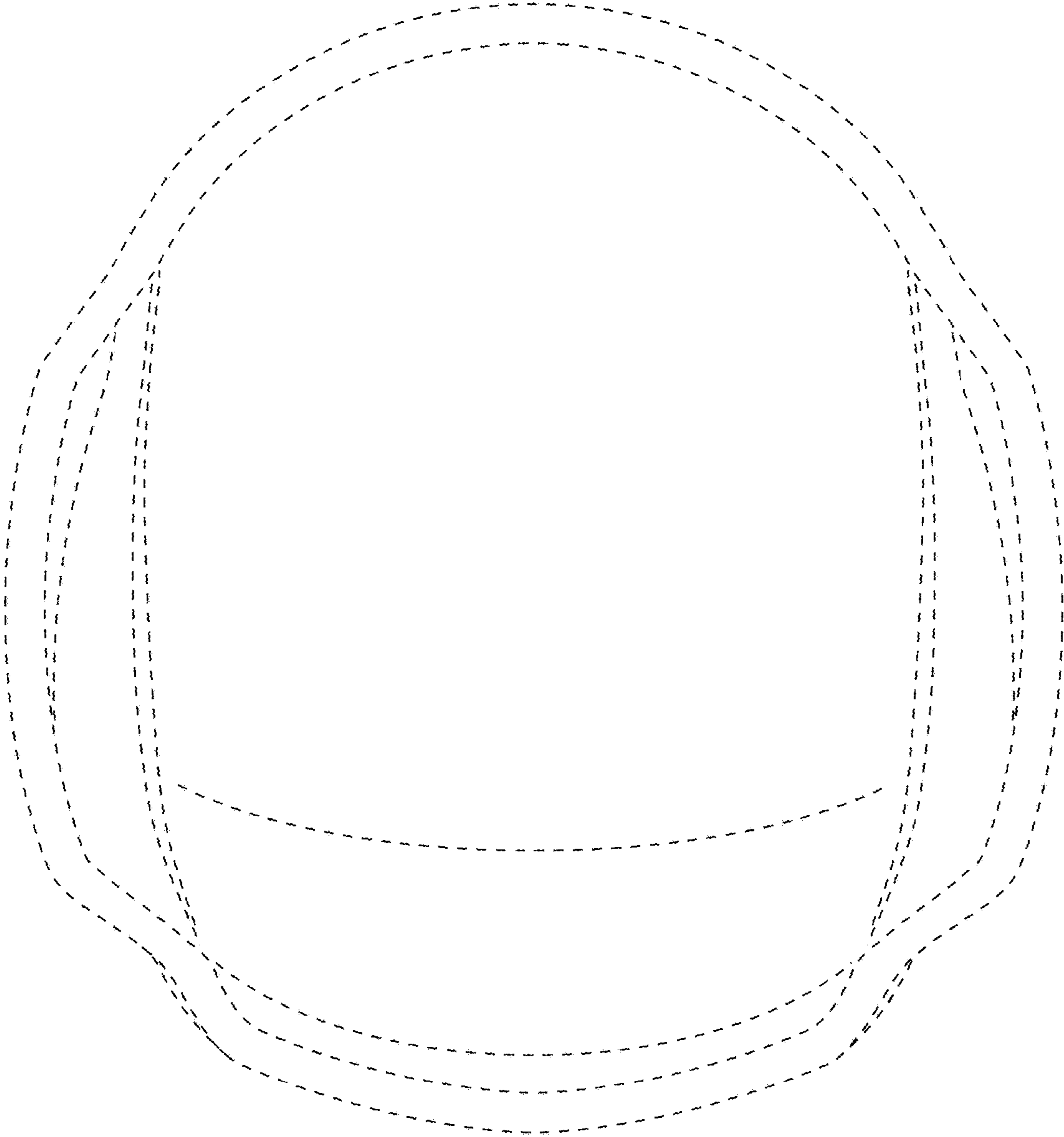


FIG. 6

