



US00D782115S

(12) **United States Design Patent**
Rubino

(10) **Patent No.:** **US D782,115 S**

(45) **Date of Patent:** **** Mar. 21, 2017**

(54) **HOUSING FOR AN ELECTRIC HAIR CLIPPER**

(71) Applicant: **Rickie J Rubino**, Richardson, TX (US)

(72) Inventor: **Rickie J Rubino**, Richardson, TX (US)

(**) Term: **15 Years**

(21) Appl. No.: **29/535,633**

(22) Filed: **Aug. 7, 2015**

(51) **LOC (10) Cl.** **28-03**

(52) **U.S. Cl.**
USPC **D28/54**

(58) **Field of Classification Search**
USPC D28/44-44.1, 49-54
CPC B26B 19/00-19/107; B26B 19/12; B26B
19/20-19/265; B26B 19/28-19/36; B26B
19/38-19/48
See application file for complete search history.

(56) **References Cited**

U.S. PATENT DOCUMENTS

3,348,308	A *	10/1967	Andis	B26B 19/44 30/133
3,368,277	A *	2/1968	Vevea	B26B 19/34 30/133
3,384,919	A *	5/1968	Jording	B26B 19/44 15/339
3,440,681	A *	4/1969	Wahl	B26B 19/44 15/339
D337,176	S *	7/1993	Romani	D28/54
D348,543	S *	7/1994	Melton	D28/54
5,881,462	A *	3/1999	Romani	B26B 19/44 30/133

5,924,202	A *	7/1999	Romani	B26B 19/44 30/132
7,488,004	B1 *	2/2009	Romani	A47L 7/009 285/275
8,225,512	B2 *	7/2012	Coleman	B26B 19/3813 30/133
8,484,853	B1 *	7/2013	Laube	B26B 19/44 30/133

(Continued)

OTHER PUBLICATIONS

Remington Vacuum Haircut Kit, www.amazon.com, 1 page, retrieved Sep. 9, 2016.*

(Continued)

Primary Examiner — Jennifer Rivard
(74) *Attorney, Agent, or Firm* — Aaron P. Peacock;
Gagnon, Peacock & Vereeke P.C.

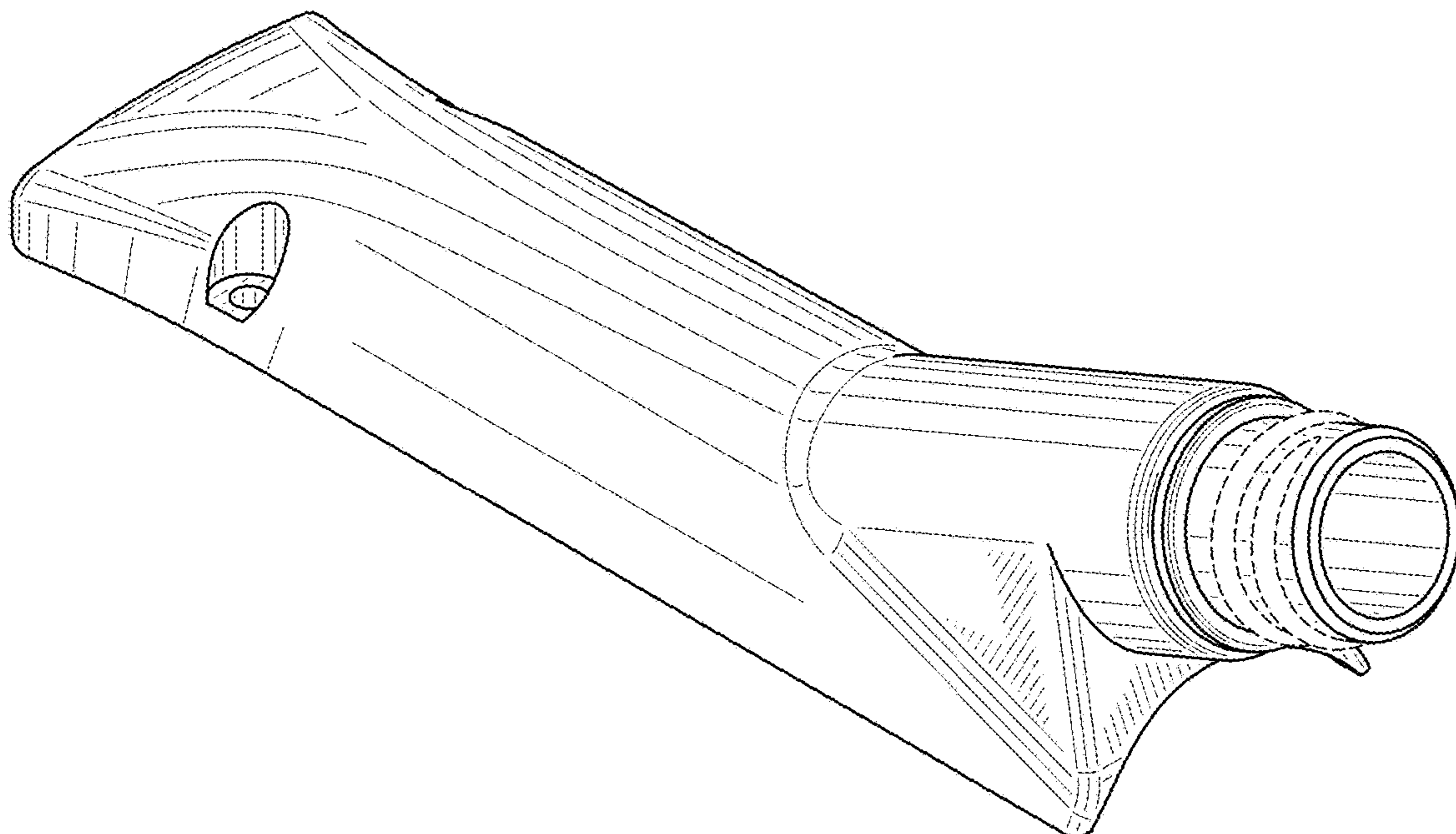
(57) **CLAIM**

I claim the ornamental design for a housing for an electric hair clipper, as shown and described.

DESCRIPTION

FIG. 1 is a perspective view of a housing for an electric hair clipper, depicting an embodiment of the present invention; FIG. 2 is the rear view of the housing of FIG. 1; FIG. 3 is the front view of the housing of FIG. 1; FIG. 4 is the left side view of the housing of FIG. 1; FIG. 5 is the right side view of the housing of FIG. 1; FIG. 6 is the top view of the housing of FIG. 1; and, FIG. 7 is the bottom view of the housing of FIG. 1. The broken lines illustrate a portion of housing and form no part of the claimed design.

1 Claim, 4 Drawing Sheets



(56)

References Cited

U.S. PATENT DOCUMENTS

8,555,463 B1 * 10/2013 Laube A01K 13/001
119/606
2003/0101591 A1 * 6/2003 Romani B26B 19/44
30/133
2004/0055163 A1 * 3/2004 McCambridge B26B 19/44
30/199
2006/0230619 A1 * 10/2006 Williams B26B 19/44
30/133
2009/0223058 A1 * 9/2009 Coleman B26B 19/44
30/41.6
2010/0242286 A1 * 9/2010 Yerke B26B 19/06
30/133
2011/0226103 A1 * 9/2011 Caruso A01D 43/06
83/24
2013/0269191 A1 * 10/2013 Landrie B26B 19/44
30/133
2014/0331504 A1 * 11/2014 Michel B26B 19/3813
30/233.5
2015/0224656 A1 * 8/2015 Johnson B26B 19/28
30/133

OTHER PUBLICATIONS

Wahl Senior Vacuum Clipper, www.amazon.com, 1 page, retrieved
Sep. 9, 2016.*

* cited by examiner

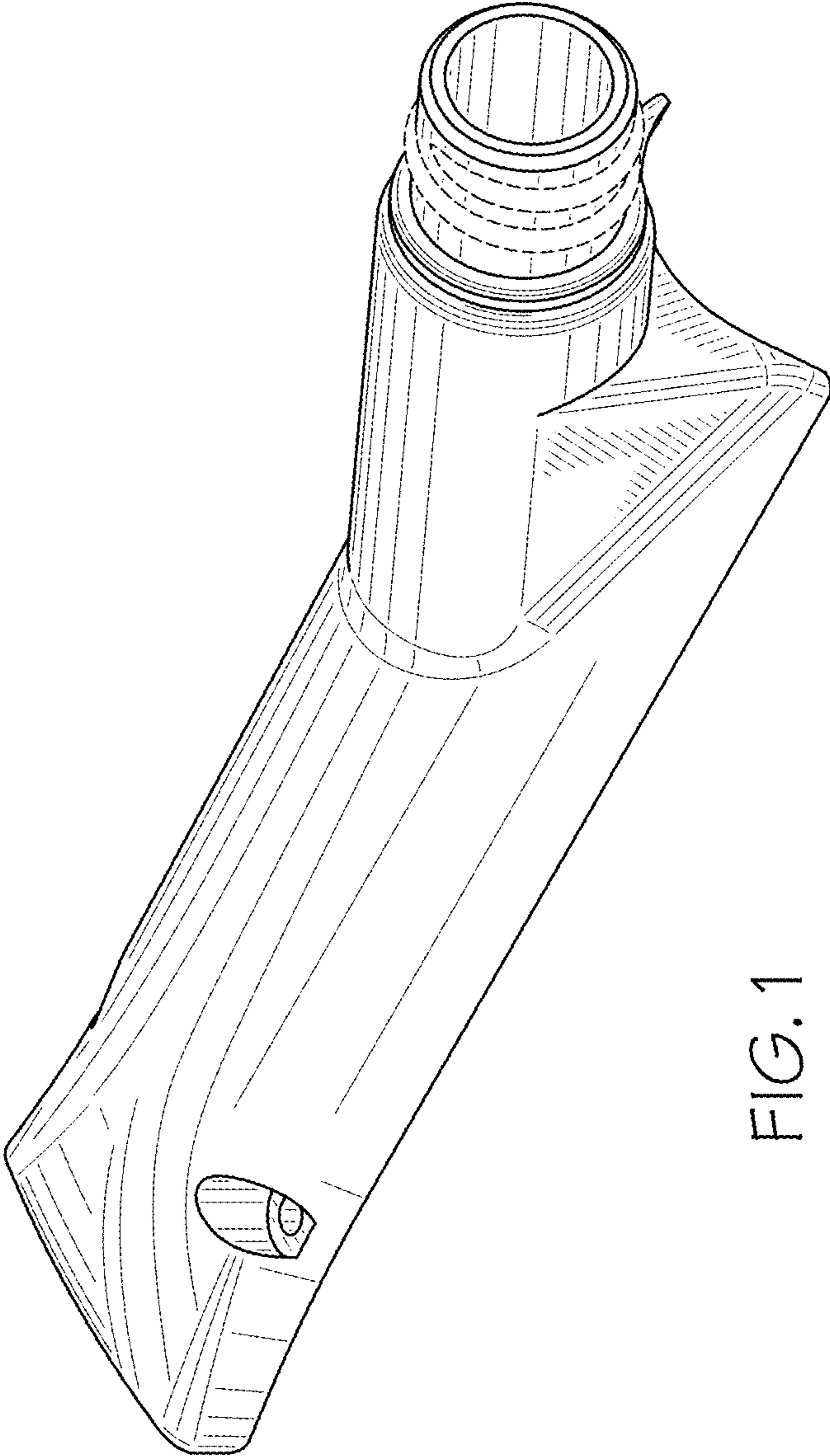


FIG. 1

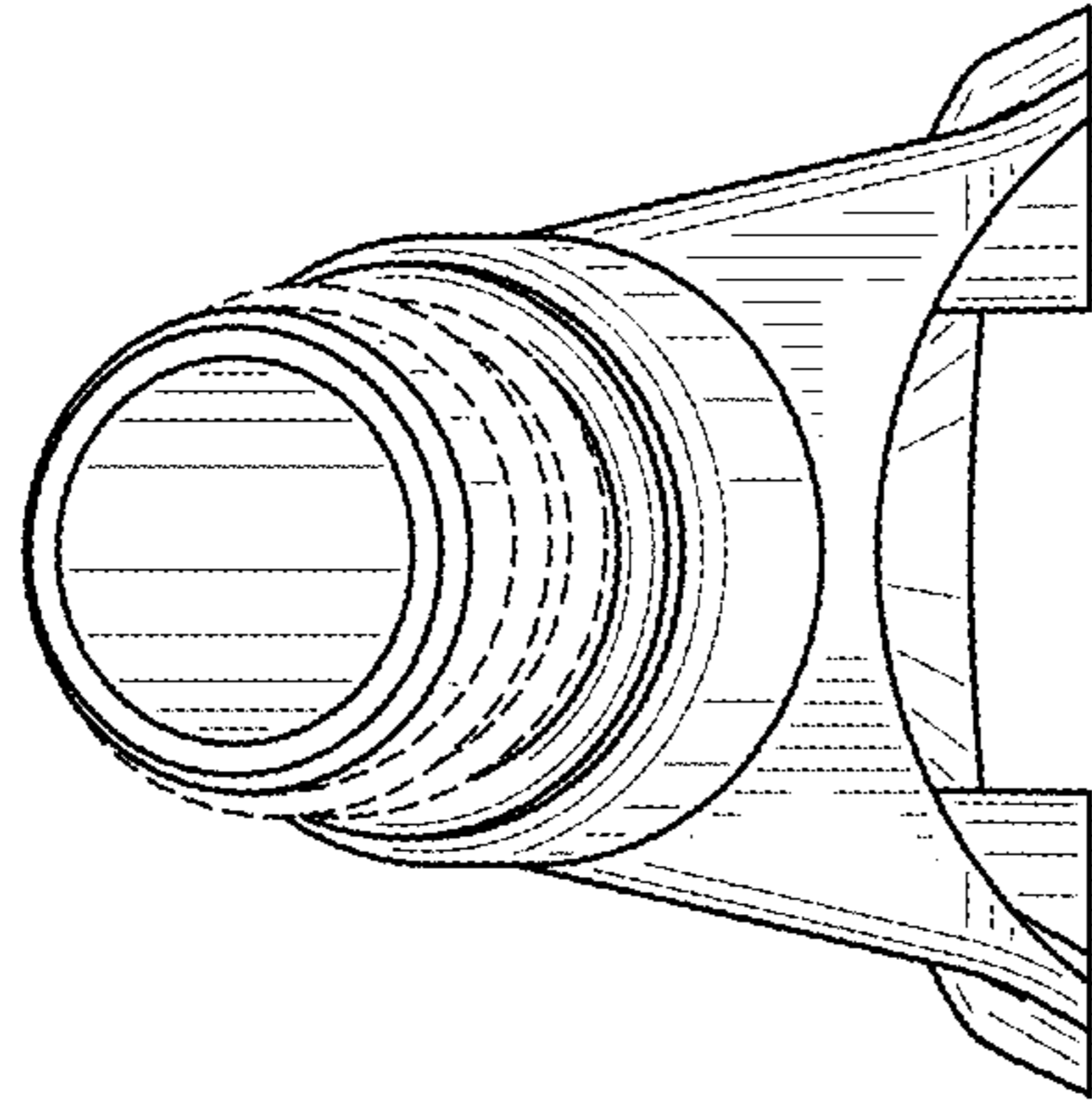


FIG. 3

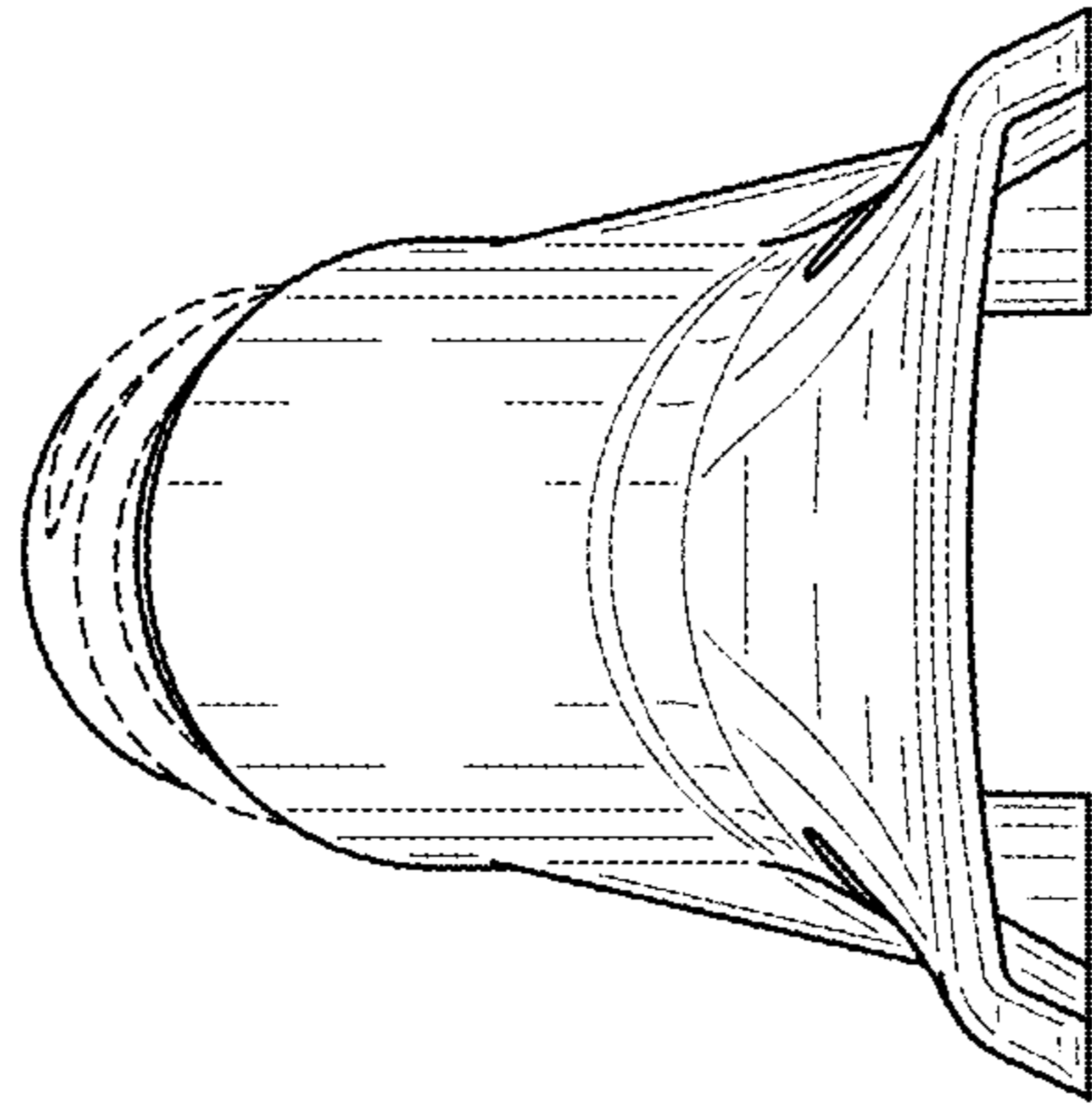


FIG. 2

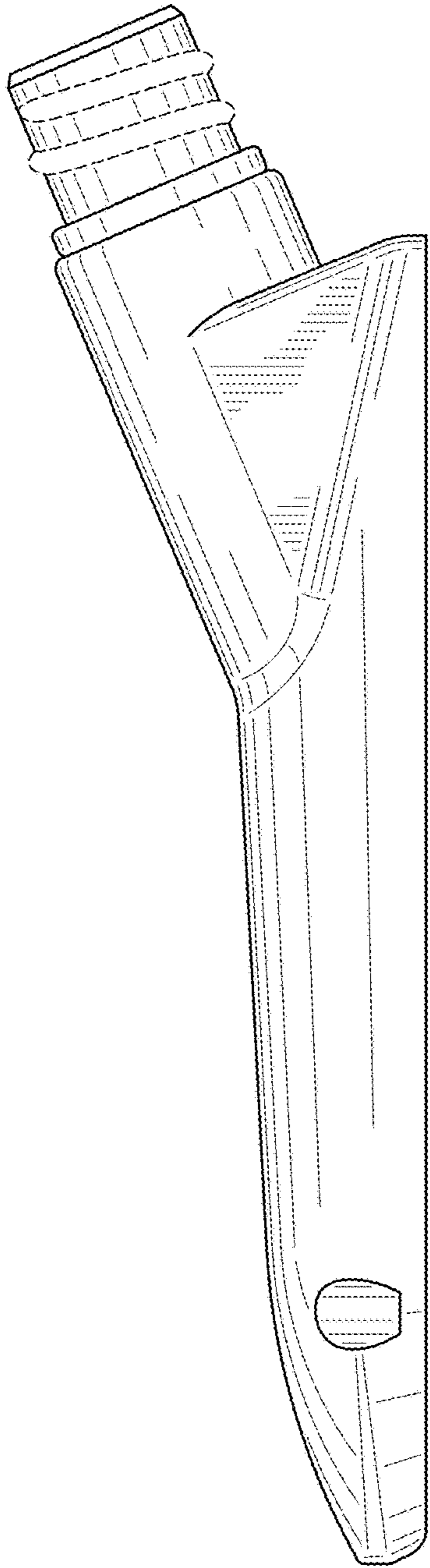


FIG. 4

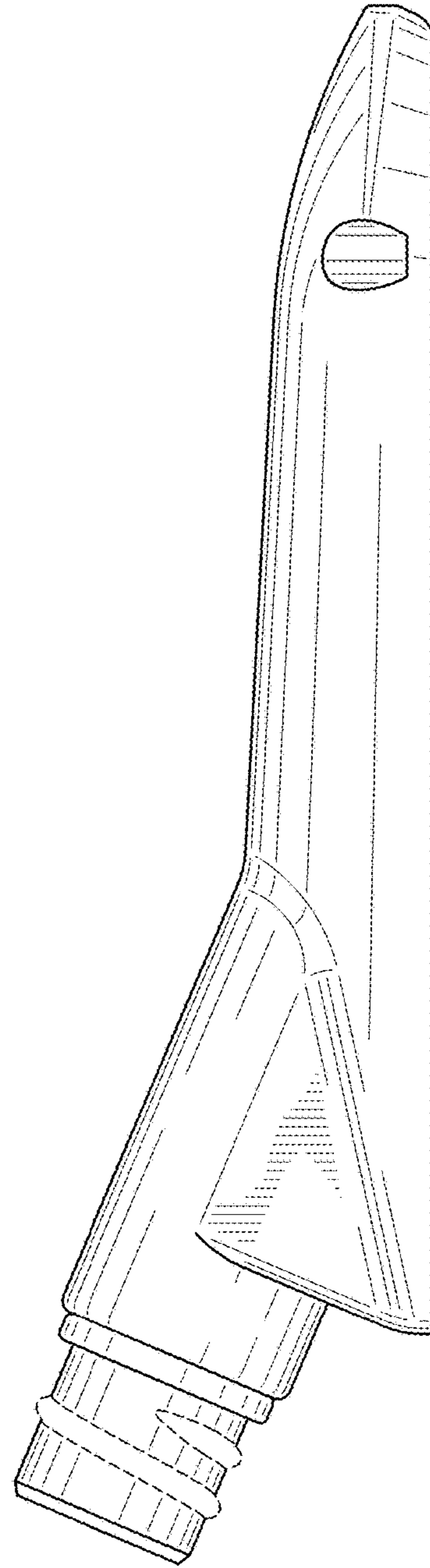


FIG. 5

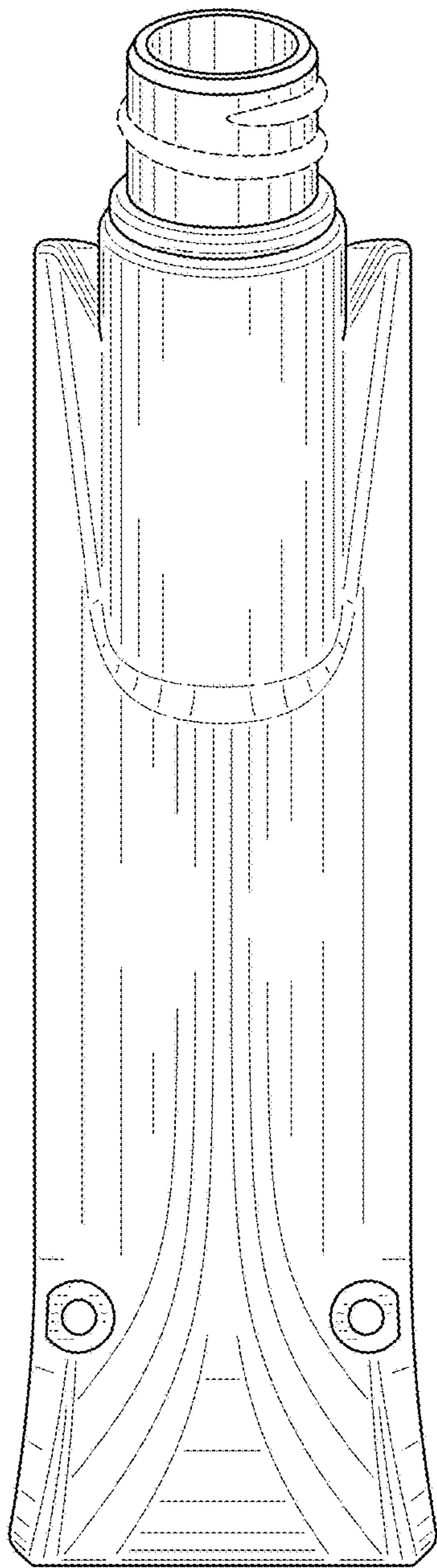


FIG. 6

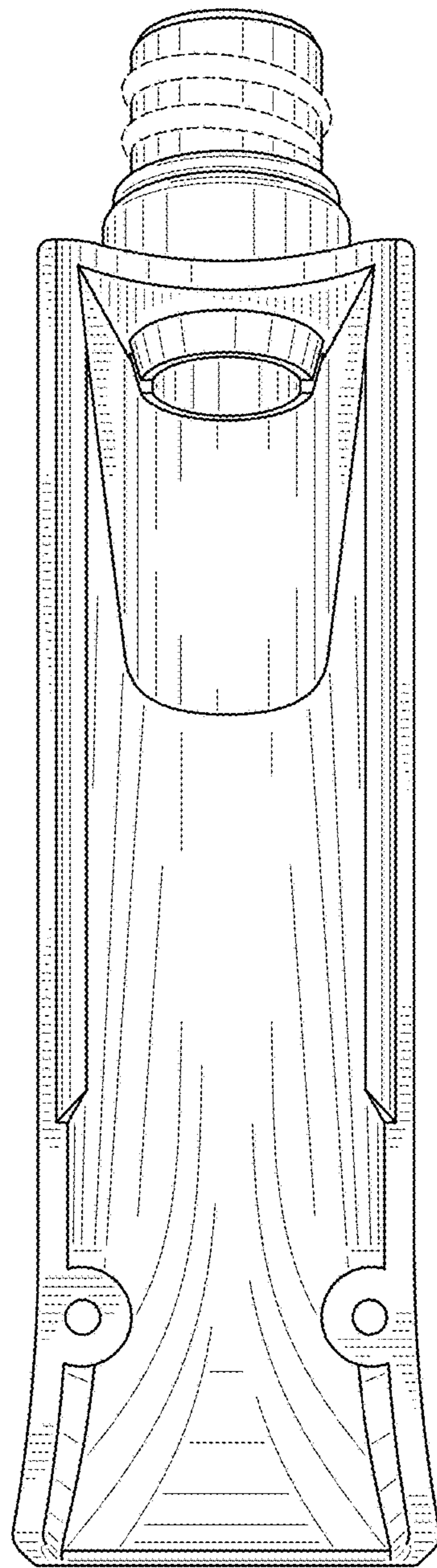


FIG. 7