



US00D782111S

(12) **United States Design Patent**
Litwinski et al.

(10) **Patent No.:** **US D782,111 S**

(45) **Date of Patent:** **** Mar. 21, 2017**

(54) **HAIR COMB**

(71) Applicants: **John Andrew Litwinski**, Chicago, IL (US); **Tedd Strom**, Oak Park, IL (US)

(72) Inventors: **John Andrew Litwinski**, Chicago, IL (US); **Tedd Strom**, Oak Park, IL (US)

(**) Term: **15 Years**

(21) Appl. No.: **29/533,557**

(22) Filed: **Jul. 19, 2015**

(51) **LOC (10) Cl.** **21-03**

(52) **U.S. Cl.**
USPC **D28/21**

(58) **Field of Classification Search**
USPC D28/7, 20-34; 132/53, 112, 126, 150, 132/208, 219.216; D32/49; 15/142, 15/143.1; D30/158, 159
CPC A45D 24/00; A45D 24/02; A45D 24/04; A45D 24/06; A45D 24/08; A45D 24/10; A45D 24/12; A45D 24/14; A45D 24/16; A45D 24/18; A45D 24/20; A45D 24/22; A45D 24/24; A45D 24/26; A45D 24/28; A45D 24/30; A45D 24/032
See application file for complete search history.

(56) **References Cited**

U.S. PATENT DOCUMENTS

D274,847 S * 7/1984 Allpress D28/21
D403,809 S * 1/1999 Stephens D28/21
D405,227 S * 2/1999 Lucero D28/21

D471,319 S * 3/2003 Kim D28/21
D478,395 S * 8/2003 Cheung D28/21
D480,834 S * 10/2003 Cheung D28/21
D496,128 S * 9/2004 Antonopoulos D28/21
D559,444 S * 1/2008 Chudzik D28/21
D670,432 S * 11/2012 Driver D28/21

* cited by examiner

Primary Examiner — Zenia Bennett

(57) **CLAIM**

The ornamental design for a hair comb, as shown and described.

DESCRIPTION

FIG. 1 is a front view of the hair comb, showing the new design.
FIG. 2 is a front perspective view of the hair comb, showing the new design.
FIG. 3 is a front perspective view of the hair comb, showing the new design.
FIG. 4 is a front perspective view of the hair comb, showing the new design.
FIG. 5 is a rear view of the hair comb, showing the new design.
FIG. 6 is a rear perspective view of the hair comb, showing the new design.
FIG. 7 is a rear perspective view of the hair comb, showing the new design.
FIG. 8 is a rear perspective view of the hair comb, showing the new design; and,
FIG. 9 is a left side elevation view of the hair comb, showing the new design.

1 Claim, 5 Drawing Sheets

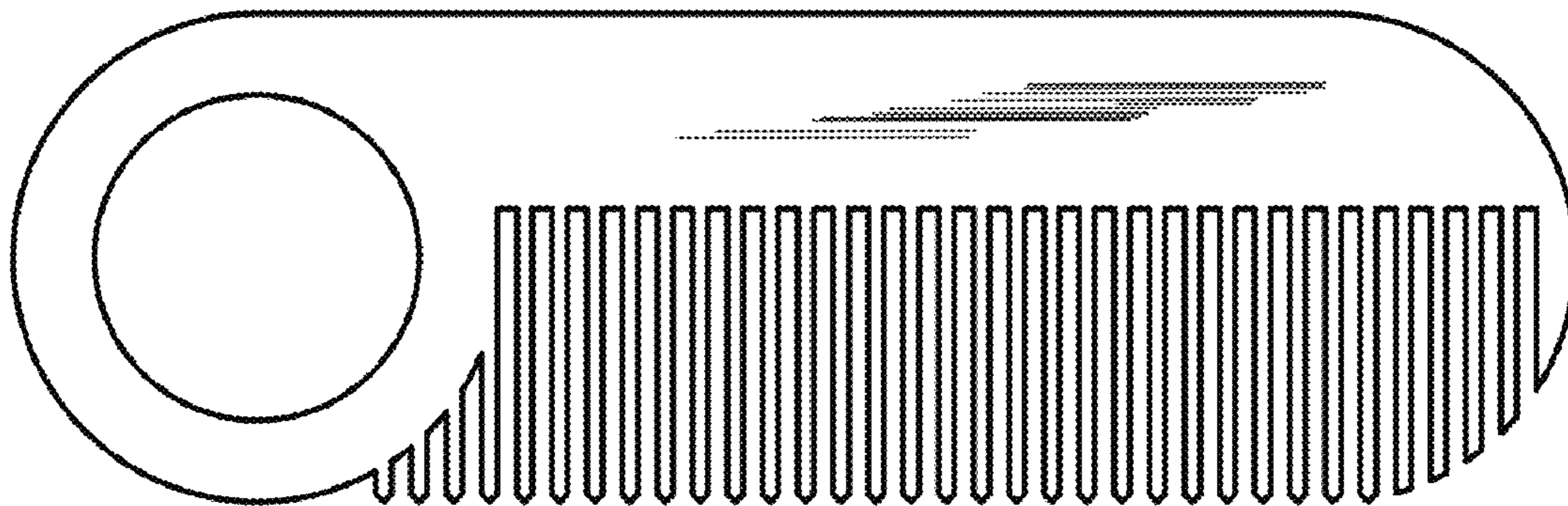


FIGURE 1

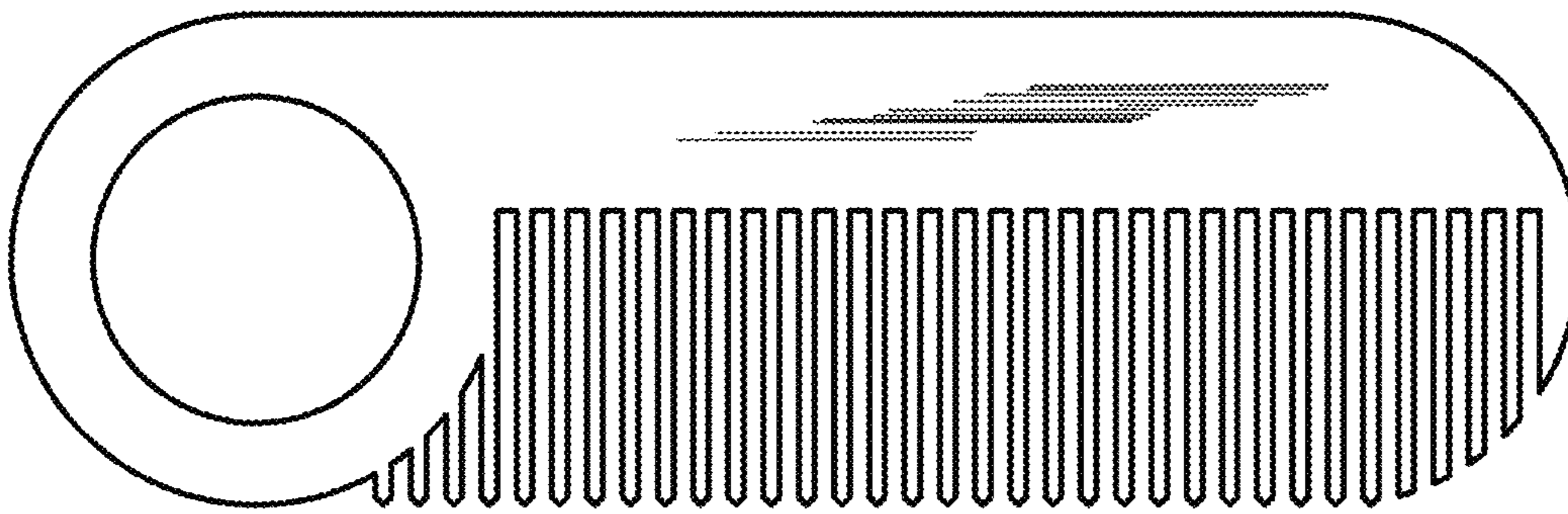


FIGURE 2

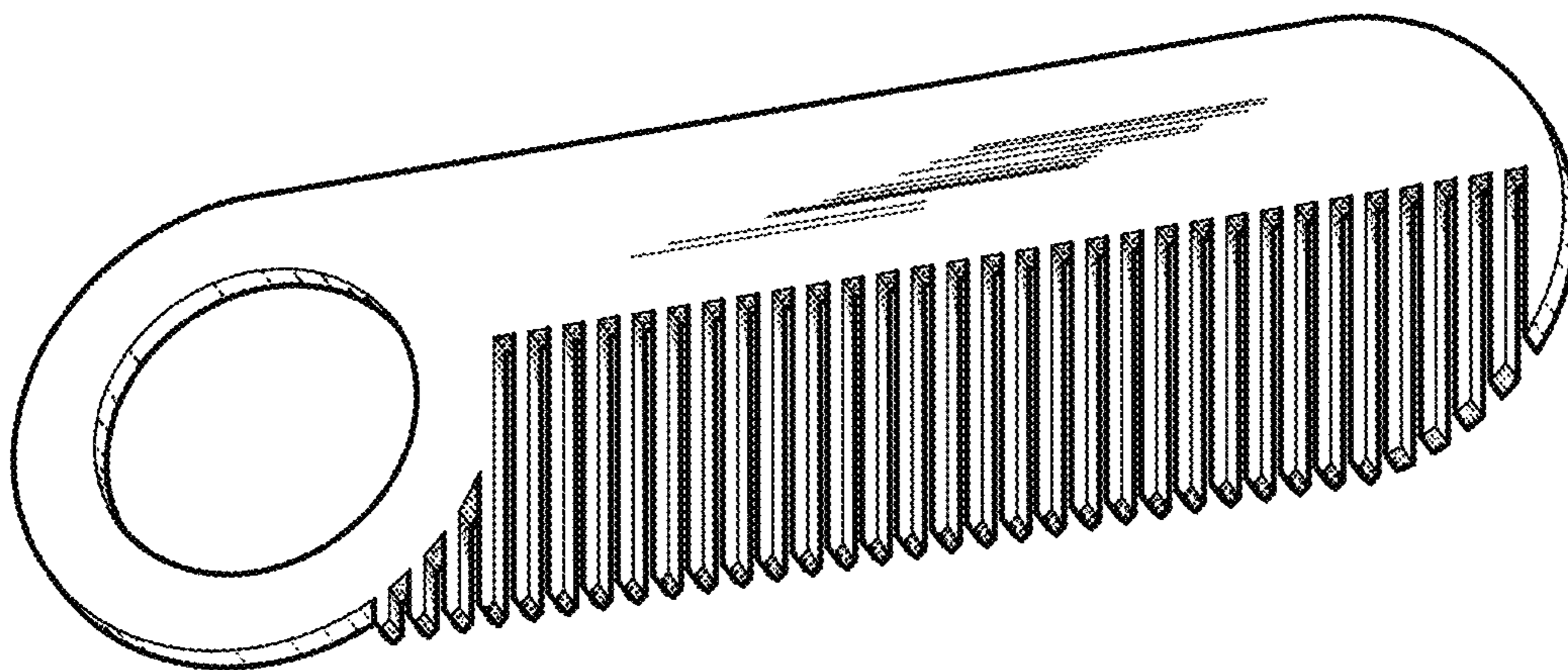


FIGURE 3

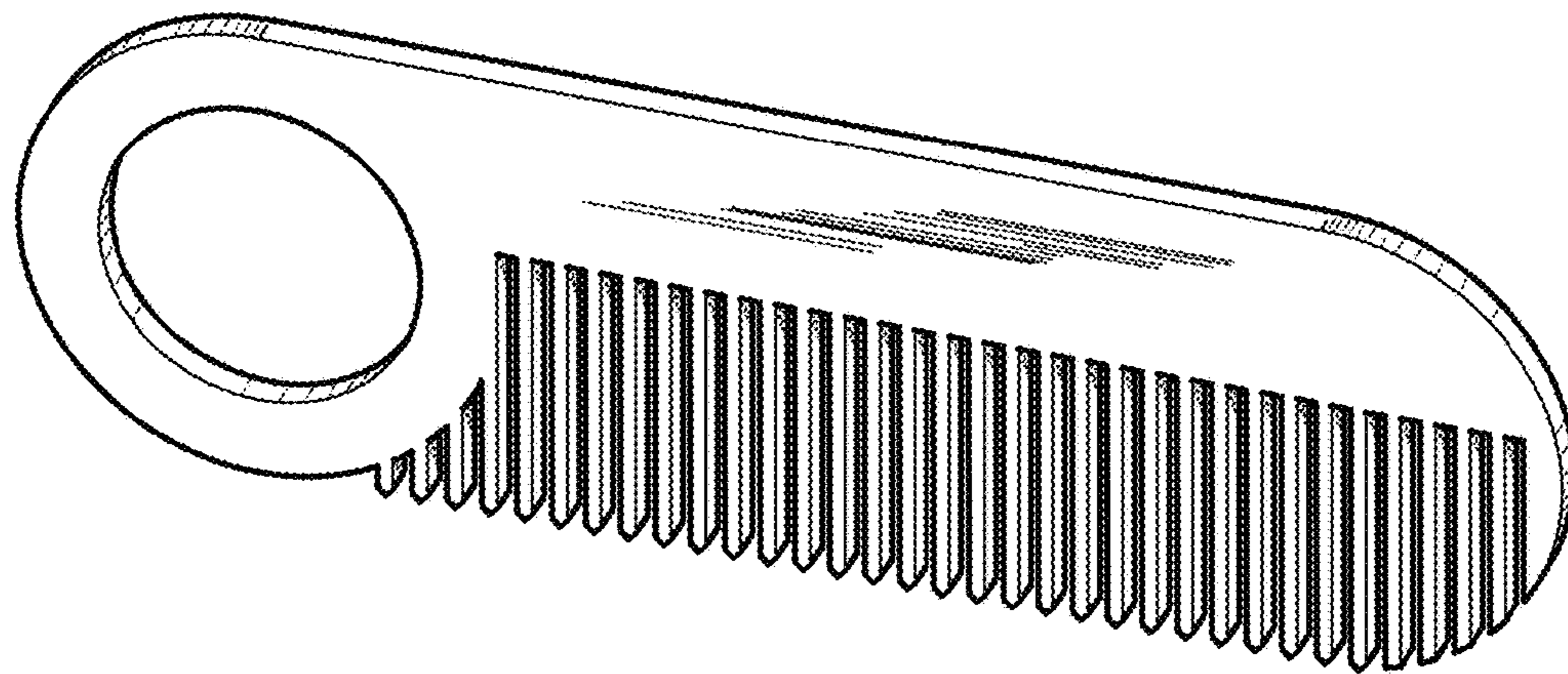


FIGURE 4

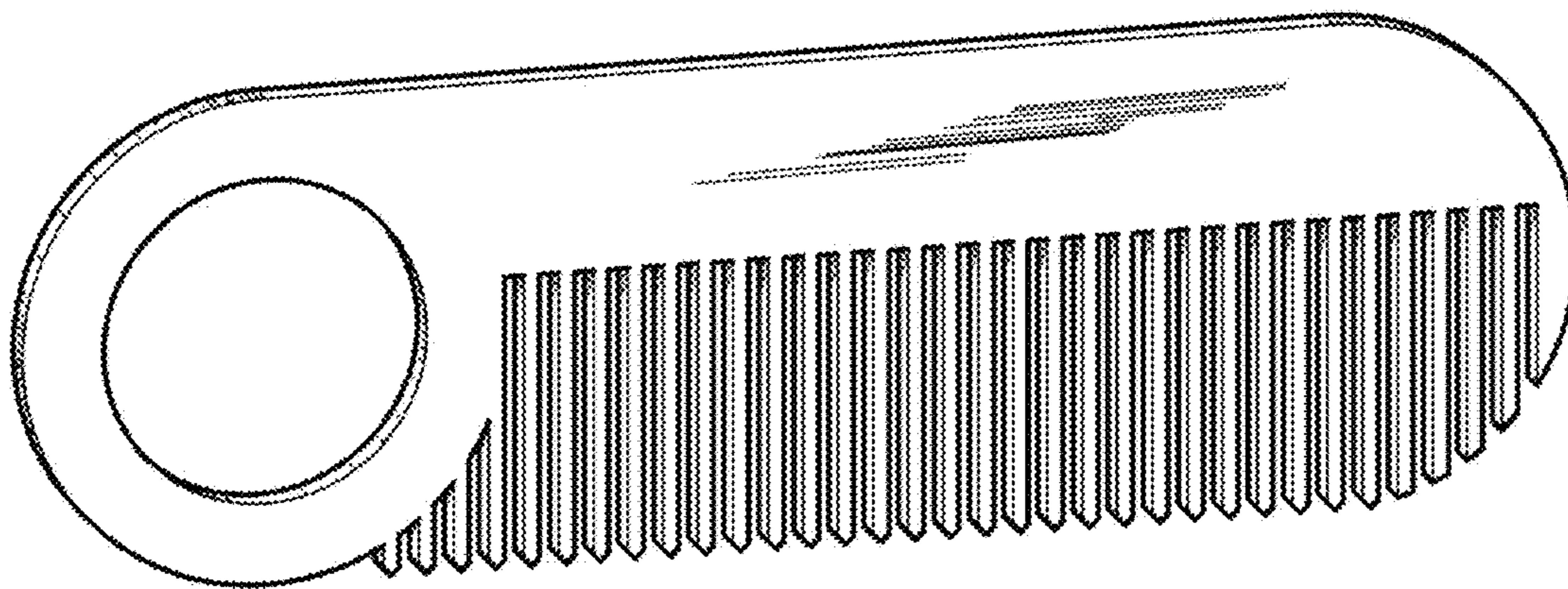


FIGURE 5

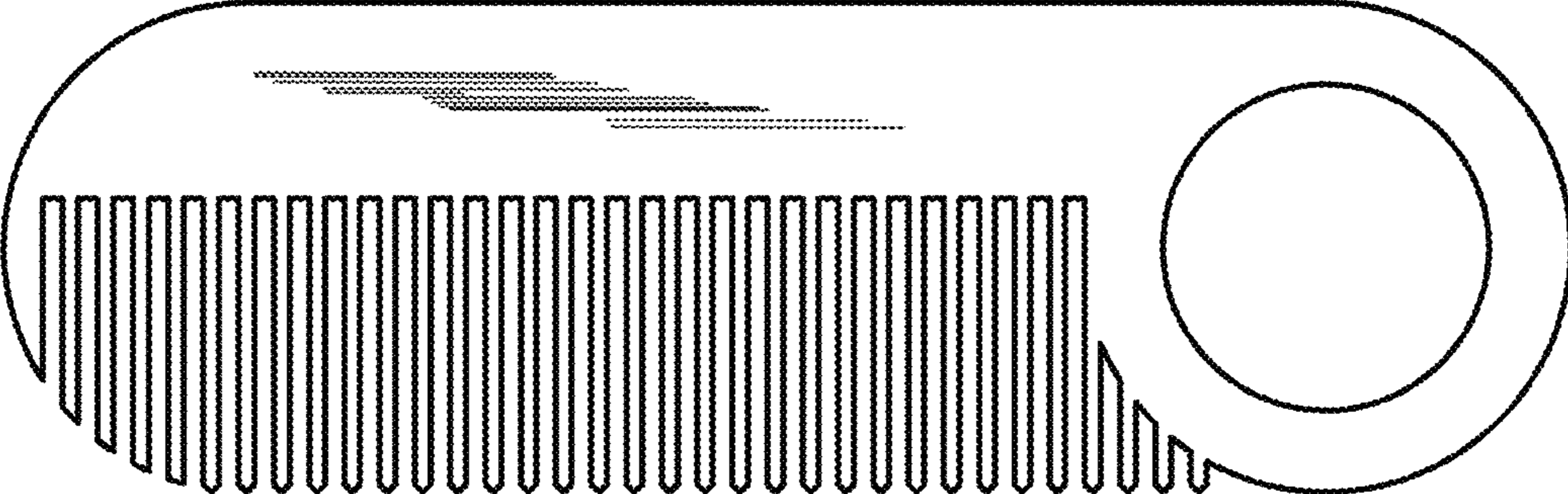


FIGURE 6

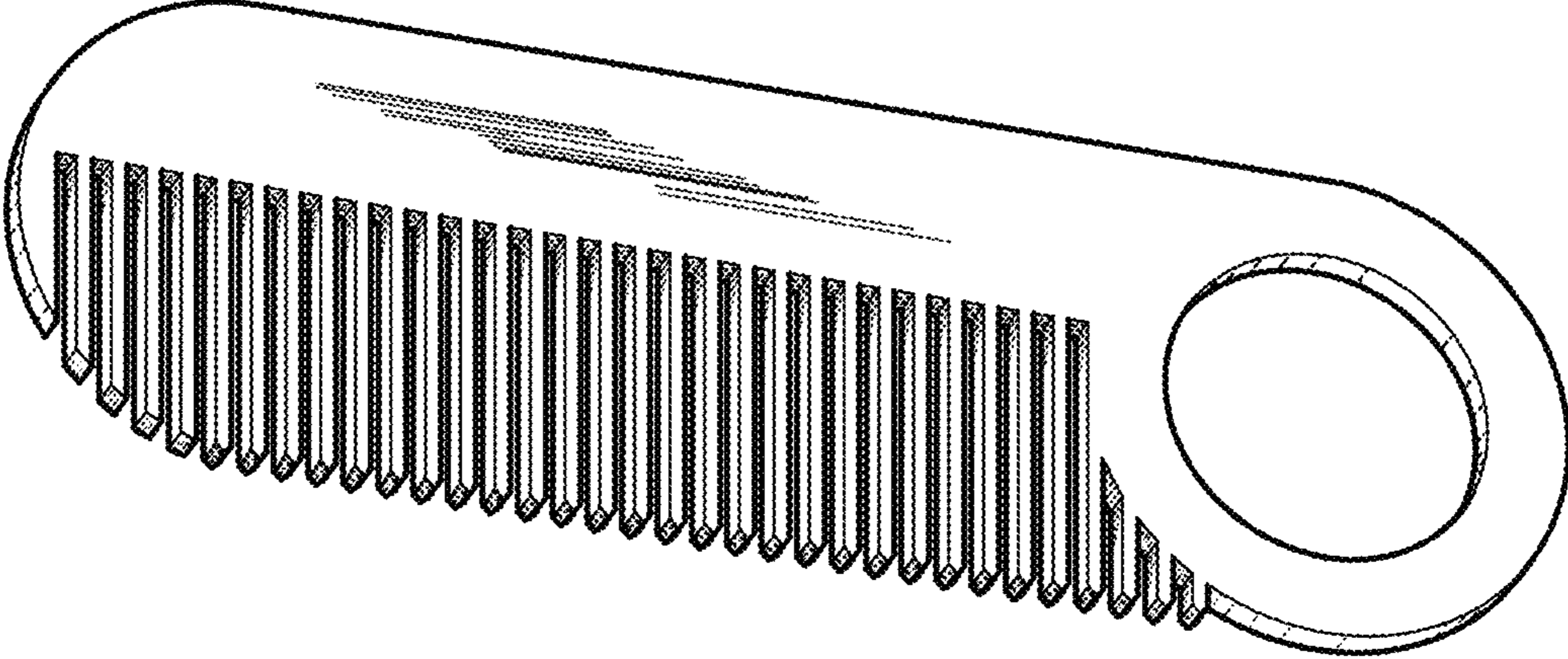


FIGURE 7

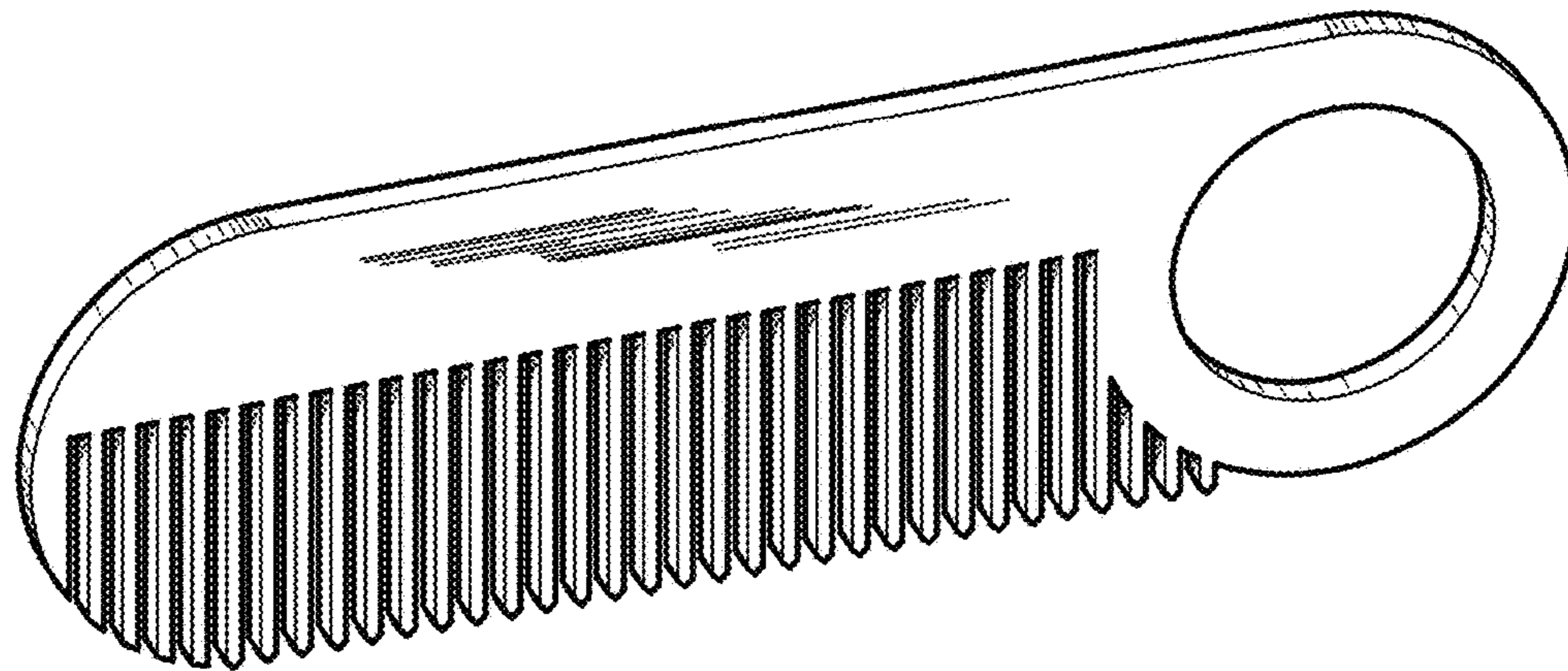


FIGURE 8

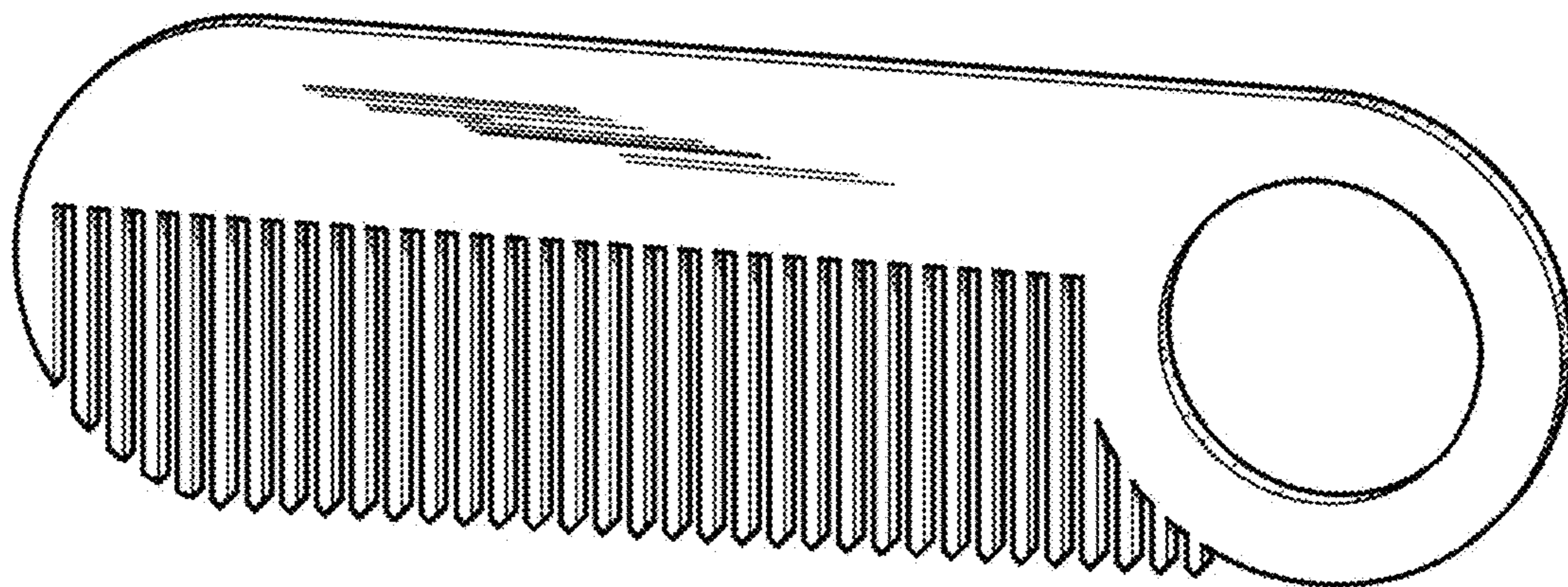


FIGURE 9

