



US00D782109S

(12) **United States Design Patent** (10) **Patent No.:** **US D782,109 S**  
**King** (45) **Date of Patent:** **\*\* Mar. 21, 2017**

(54) **CIGARETTE CUTTER**  
(71) Applicant: **ClearSite, LLC**, Bethel, CT (US)  
(72) Inventor: **Charles E. King**, Bethel, CT (US)  
(73) Assignee: **ClearSite, LLC**, Bethel, CT (US)  
(\*\*) Term: **15 Years**  
(21) Appl. No.: **29/536,149**  
(22) Filed: **Aug. 13, 2015**  
(51) **LOC (10) Cl.** ..... **27-99**  
(52) **U.S. Cl.**  
USPC ..... **D27/195**  
(58) **Field of Classification Search**  
USPC ..... D27/100-112, 120, 125-130, 136, 137,  
D27/138, 143, 161, 162-169, 172, 175,  
D27/180, 183, 193, 194, 195  
CPC ..... A24C 5/44; A24C 5/42; A24C 5/00  
See application file for complete search history.

(56) **References Cited**  
U.S. PATENT DOCUMENTS  
D314,639 S \* 2/1991 Rousseau ..... D27/195  
D315,617 S \* 3/1991 Boutte ..... D27/194  
D375,576 S \* 11/1996 Mesco ..... D27/195  
D387,479 S \* 12/1997 Schmidt ..... D27/195  
D396,125 S \* 7/1998 Chen ..... D27/195  
D396,326 S \* 7/1998 Makrinos ..... D27/195  
D398,713 S \* 9/1998 Poosikian ..... D21/793  
D410,109 S \* 5/1999 Van Keppel ..... D27/195  
D414,894 S \* 10/1999 Chen ..... D27/195  
D426,344 S \* 6/2000 Baldesberger ..... D27/195  
D447,277 S \* 8/2001 Lion ..... D27/195  
D454,656 S \* 3/2002 Berset ..... D27/102  
D569,548 S \* 5/2008 Smith ..... D27/195

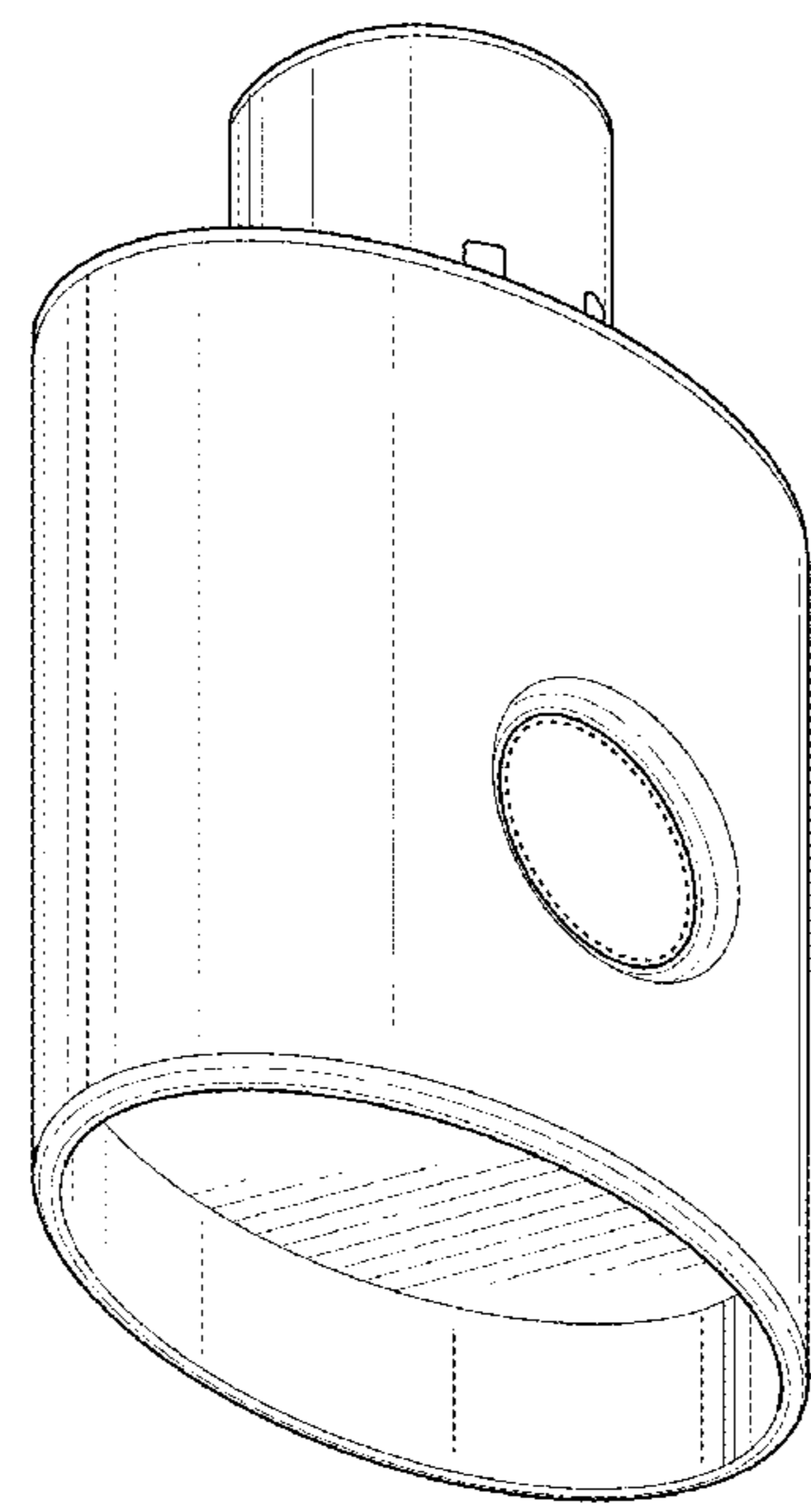
D597,251 S \* 7/2009 Smith ..... D27/195  
D602,632 S \* 10/2009 Smith ..... D27/195  
D605,351 S \* 12/2009 Smith ..... D27/195  
D616,604 S \* 5/2010 Chuan ..... D27/195  
D617,496 S \* 6/2010 Wong ..... D27/195  
D623,352 S \* 9/2010 Melgaard ..... D21/793  
D630,794 S \* 1/2011 Cohen Harel ..... D27/195  
7,861,727 B1 \* 1/2011 Jones ..... A24F 13/26  
131/253  
D698,993 S \* 2/2014 Sharif ..... D27/195  
D757,359 S \* 5/2016 Van Keppel ..... D27/195  
2007/0000133 A1 \* 1/2007 Kasuli ..... A45F 5/02  
30/113  
2009/0113718 A1 \* 5/2009 Smith ..... A24F 13/26  
30/113  
2011/0302785 A1 \* 12/2011 Chuan ..... A24F 13/26  
30/113

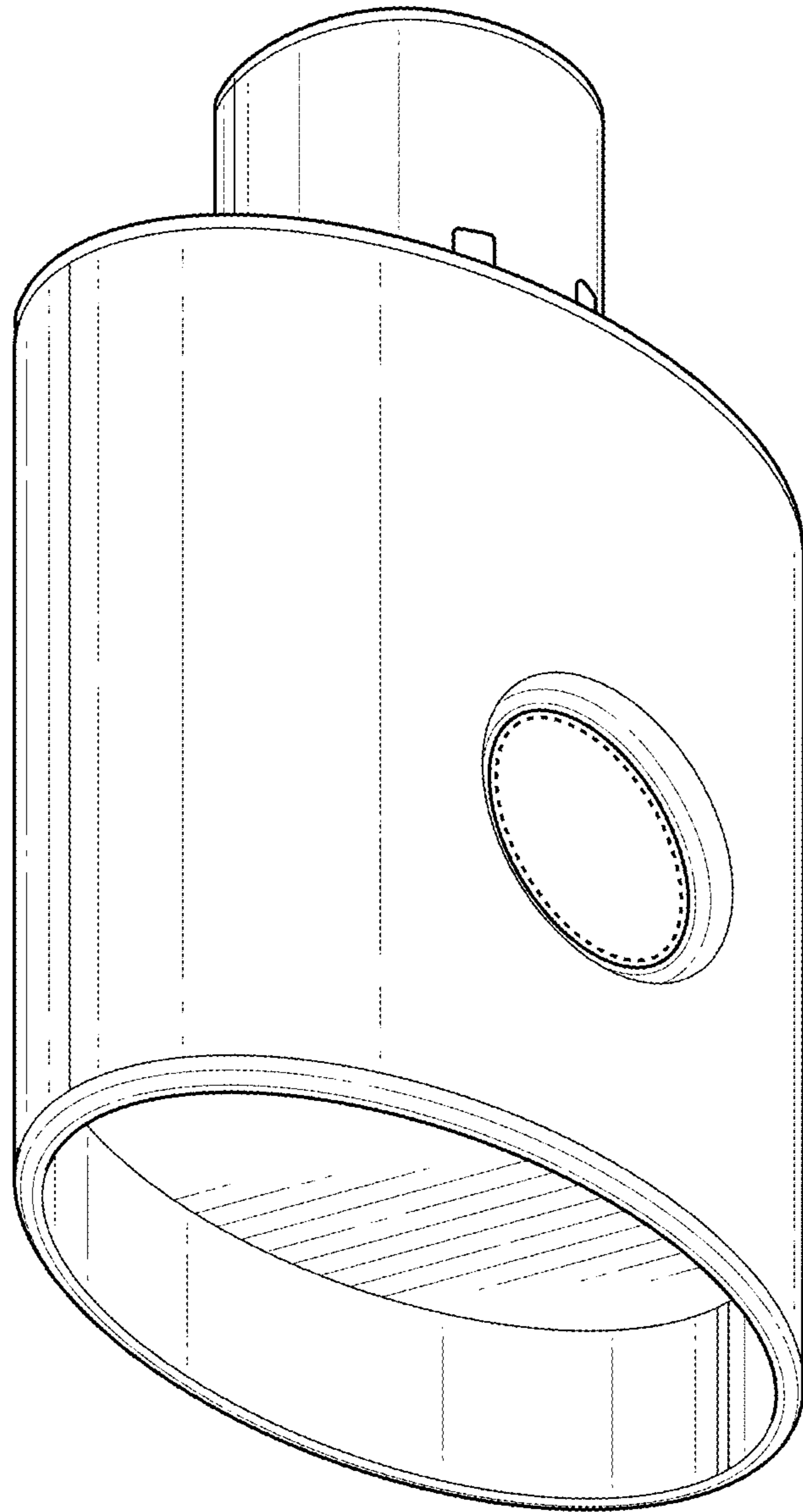
\* cited by examiner  
*Primary Examiner* — Robert M Spear  
*Assistant Examiner* — Marissa J Cash  
(74) *Attorney, Agent, or Firm* — Carson C.K. Fincham;  
Fincham Downs, LLC

(57) **CLAIM**  
The ornamental design for cigarette cutter, as shown and described.

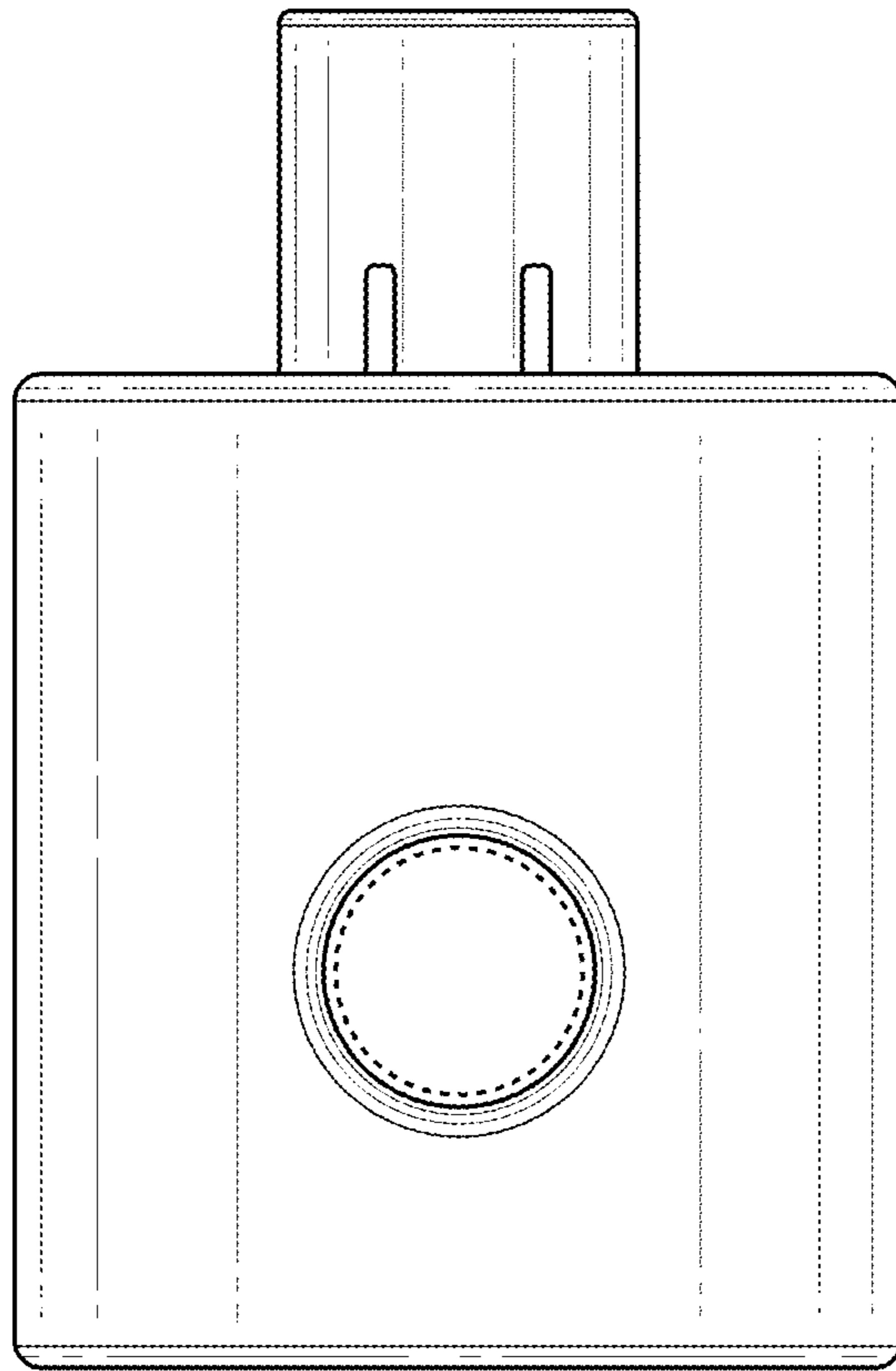
**DESCRIPTION**  
FIG. 1 is a bottom-front, left side perspective view of a cigarette cutter according to the new design;  
FIG. 2 is a front view thereof;  
FIG. 3 is a rear view thereof;  
FIG. 4 is a left side view thereof;  
FIG. 5 is a right side view thereof;  
FIG. 6 is a top view thereof; and,  
FIG. 7 is a bottom view thereof.

**1 Claim, 4 Drawing Sheets**

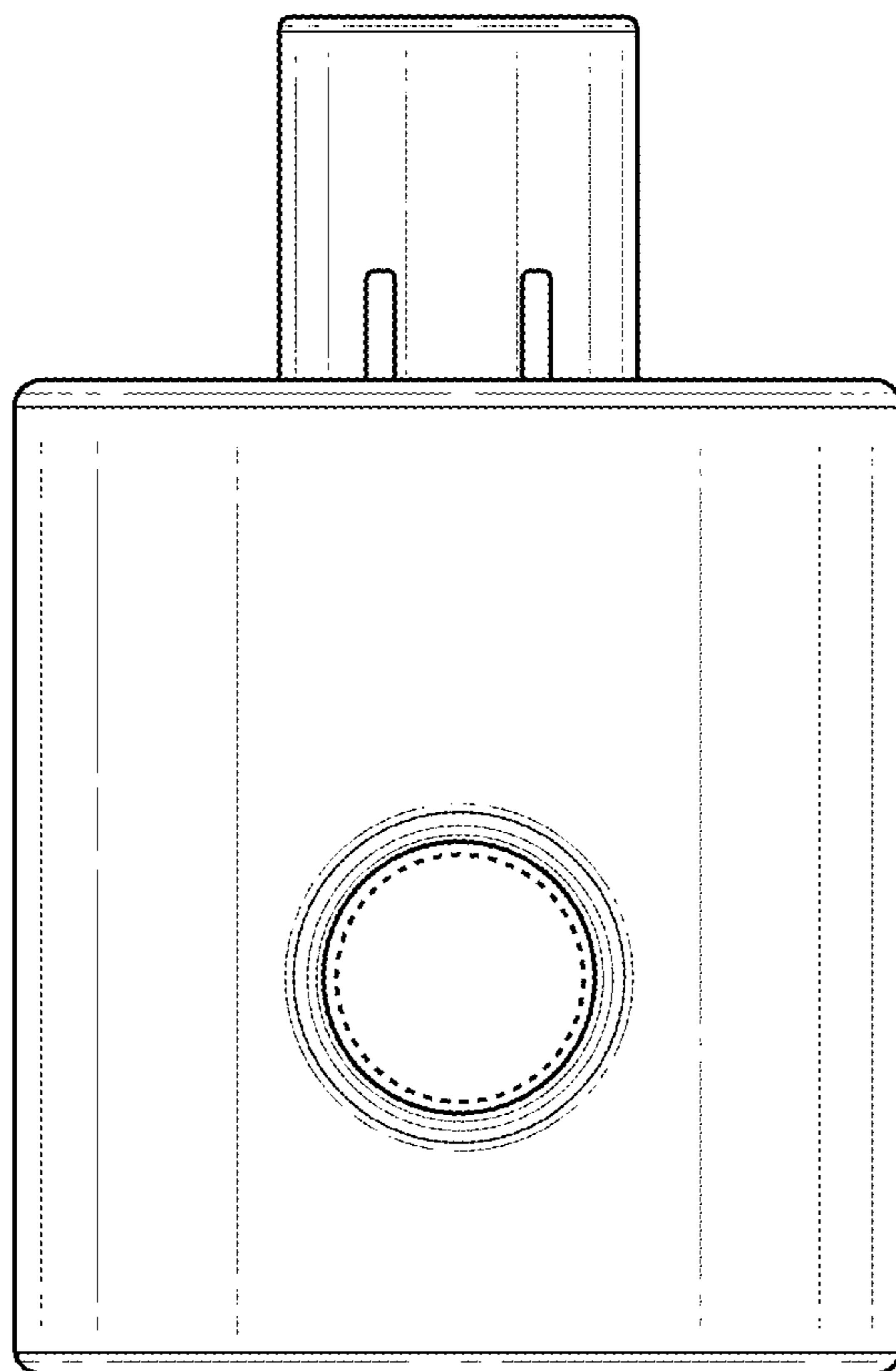




**FIG. 1**



**FIG. 2**



**FIG. 3**

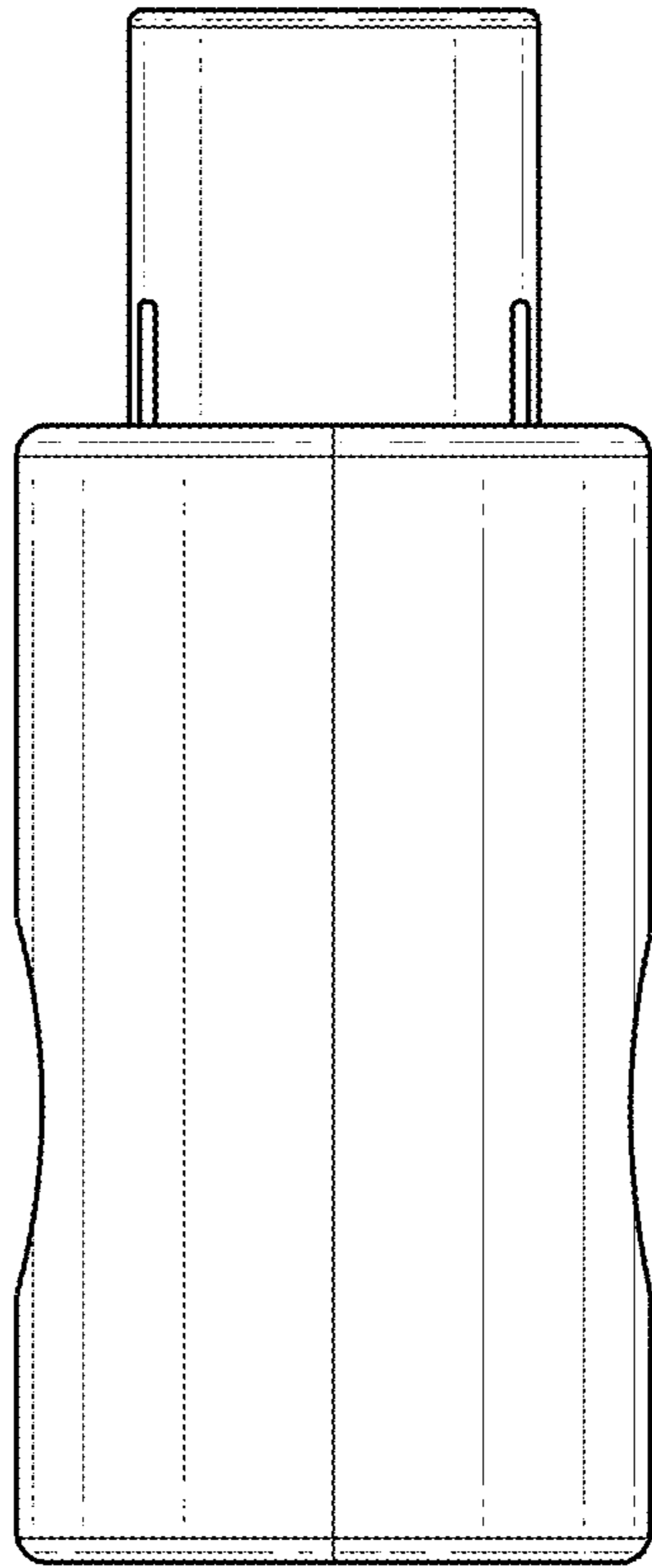


FIG. 4

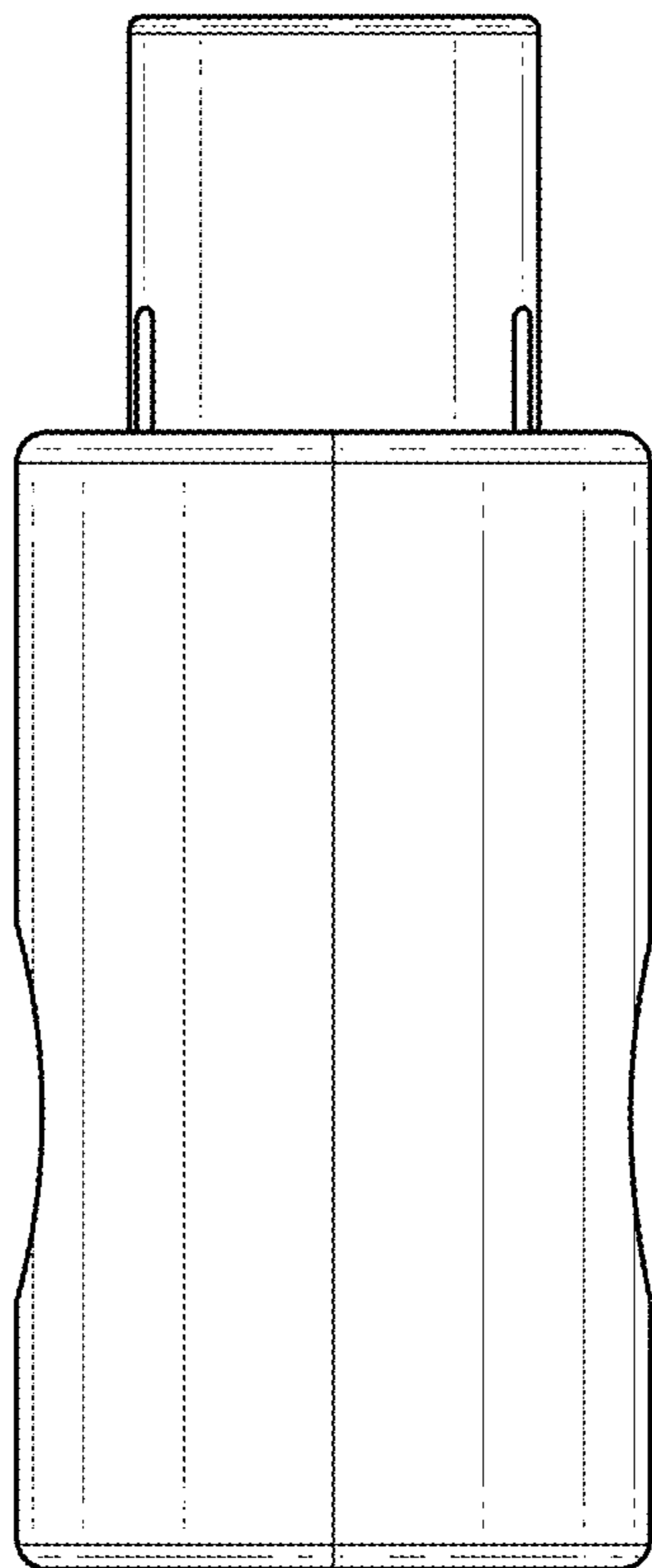
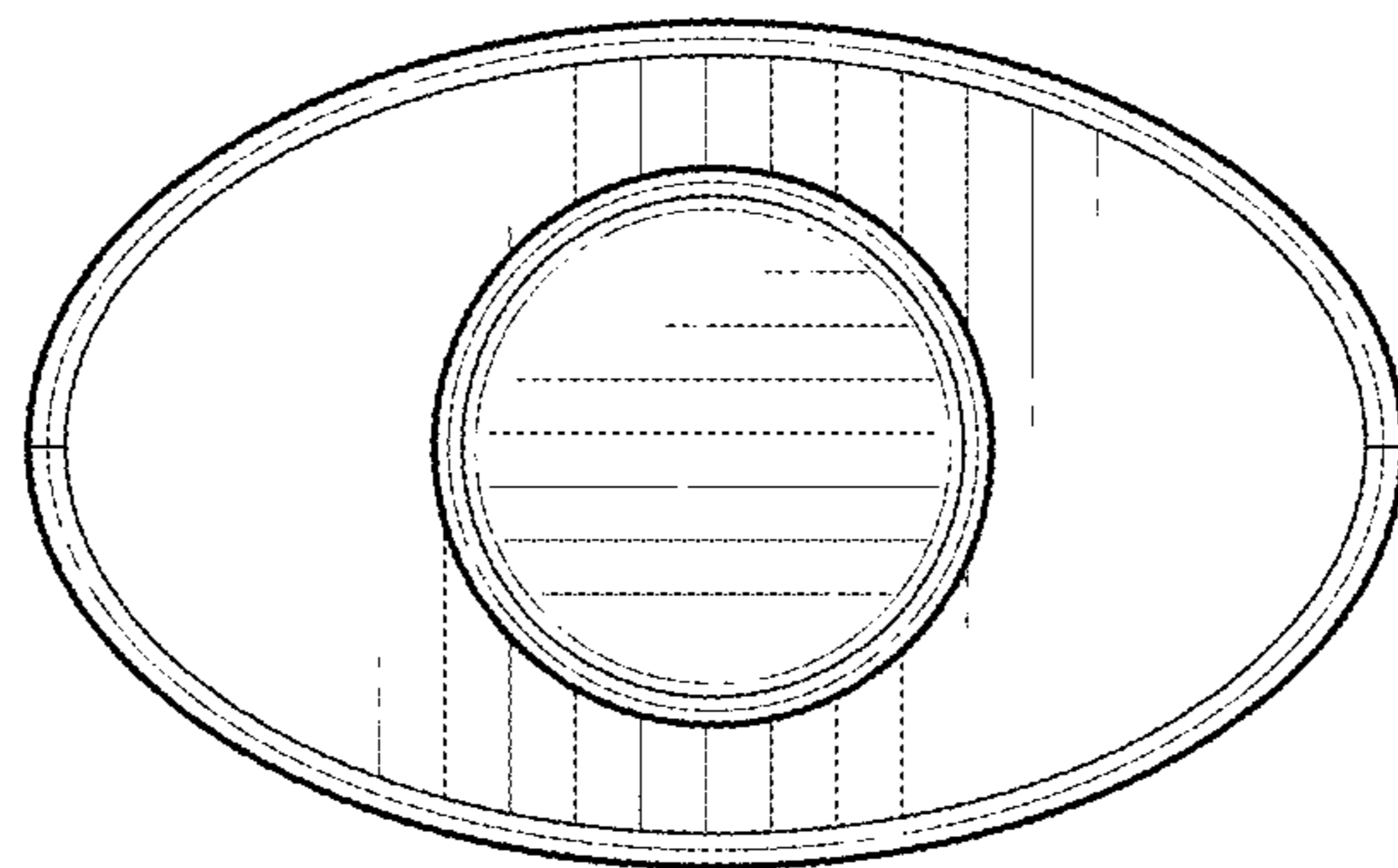
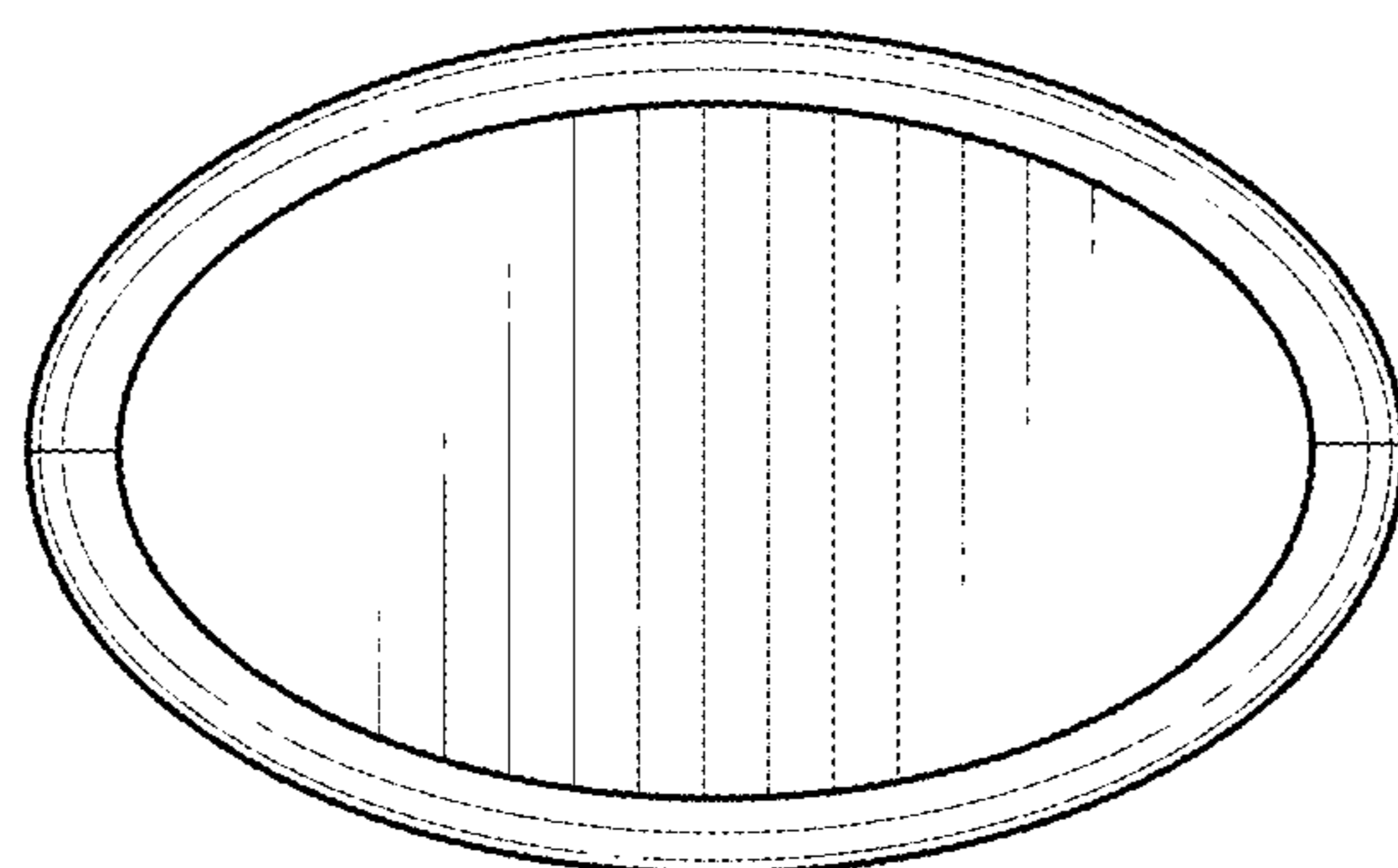


FIG. 5



**FIG. 6**



**FIG. 7**