



US00D782107S

(12) **United States Design Patent**
Klus

(10) **Patent No.:** **US D782,107 S**

(45) **Date of Patent:** **** Mar. 21, 2017**

(54) **EXTRUSION FOR LED STRIP LIGHTING**

(71) Applicant: **Sylwester Klus**, Kamionka (PL)

(72) Inventor: **Sylwester Klus**, Kamionka (PL)

(**) Term: **15 Years**

(21) Appl. No.: **29/541,657**

(22) Filed: **Oct. 6, 2015**

(51) **LOC (10) Cl.** **26-99**

(52) **U.S. Cl.**
USPC **D26/138**

(58) **Field of Classification Search**
USPC . D26/24, 26, 39, 42, 67, 68, 72, 74, 75, 79,
D26/85, 88, 89, 91, 96, 108, 109, 113,
D26/118, 120, 122, 129, 138, 140, 141,
D26/142
CPC F21S 4/00; F21S 4/003; F21S 4/006; F21S
4/007; F21S 4/008; F21S 6/004; F21S
6/005; F21S 9/037; F21K 9/54; F21V
15/01; F21V 15/013
See application file for complete search history.

(56) **References Cited**

U.S. PATENT DOCUMENTS

D369,814 S * 5/1996 Pearlman D15/126
D652,986 S * 1/2012 Trzesniowski D26/138

D662,653 S * 6/2012 Hochman D26/138
D693,052 S * 11/2013 Klu D26/138
D695,955 S * 12/2013 Klus D26/138
D698,075 S * 1/2014 Klus D26/138
D698,076 S * 1/2014 Klus D26/138
D733,353 S * 6/2015 Klus D26/138
D757,993 S * 5/2016 Klus D26/138

* cited by examiner

Primary Examiner — Brian N Vinson
(74) *Attorney, Agent, or Firm* — Mark Terry

(57) **CLAIM**

The ornamental design for extrusion for LED strip lighting,
as shown and described.

DESCRIPTION

FIG. 1 is a front perspective view of a extrusion for LED
strip lighting showing the new design;
FIG. 2 is a bottom perspective view thereof;
FIG. 3 is a front view thereof;
FIG. 4 is a bottom view thereof;
FIG. 5 is rear view thereof;
FIG. 6 is a top view thereof;
FIG. 7 is another front view thereof; and,
FIG. 8 is a right side view thereof.
The uniformly dashed lines shown in the drawings illustrate
portions of the extrusion for LED strip lighting which form
no part of the claimed design.

1 Claim, 4 Drawing Sheets

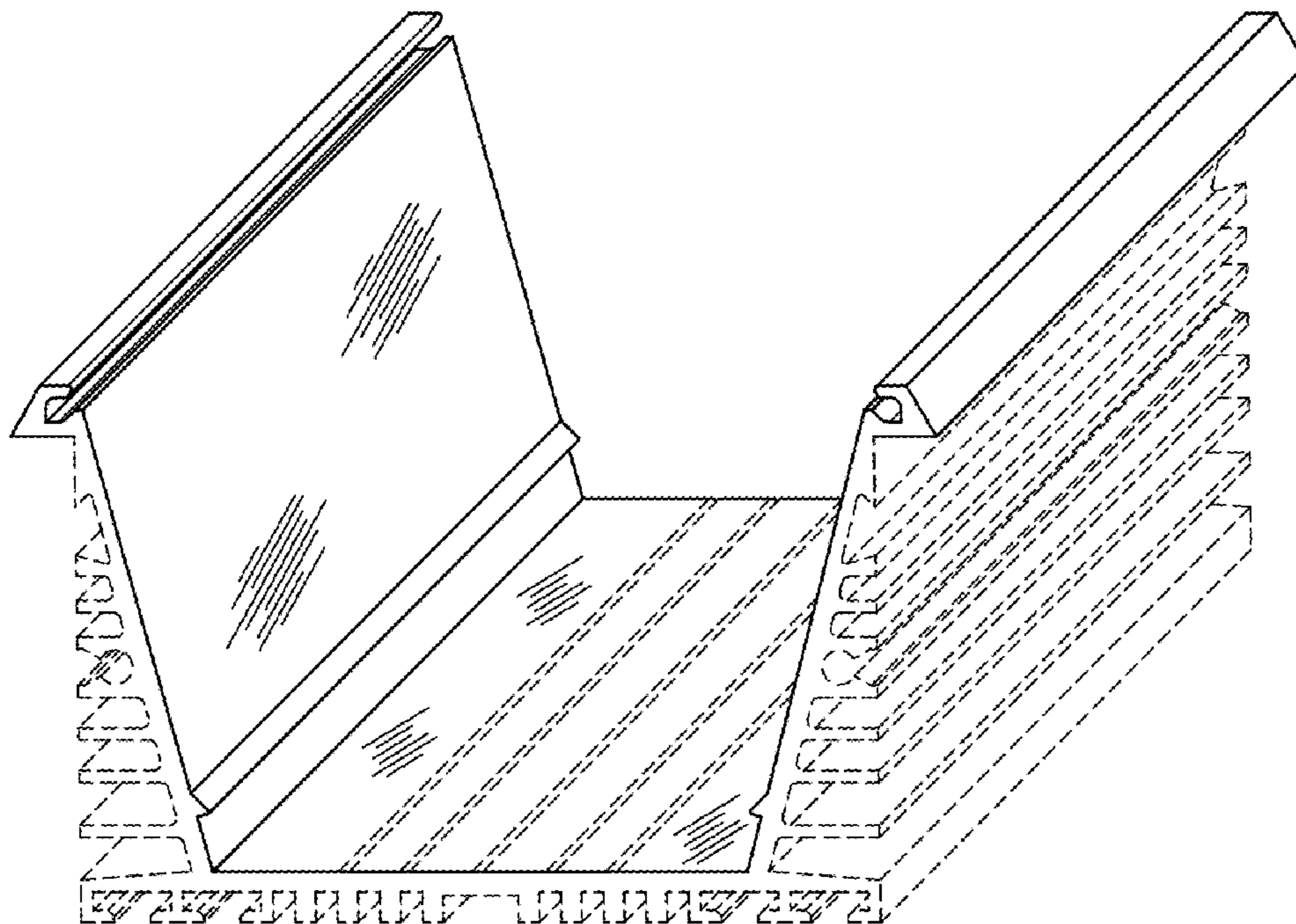


Fig. 1

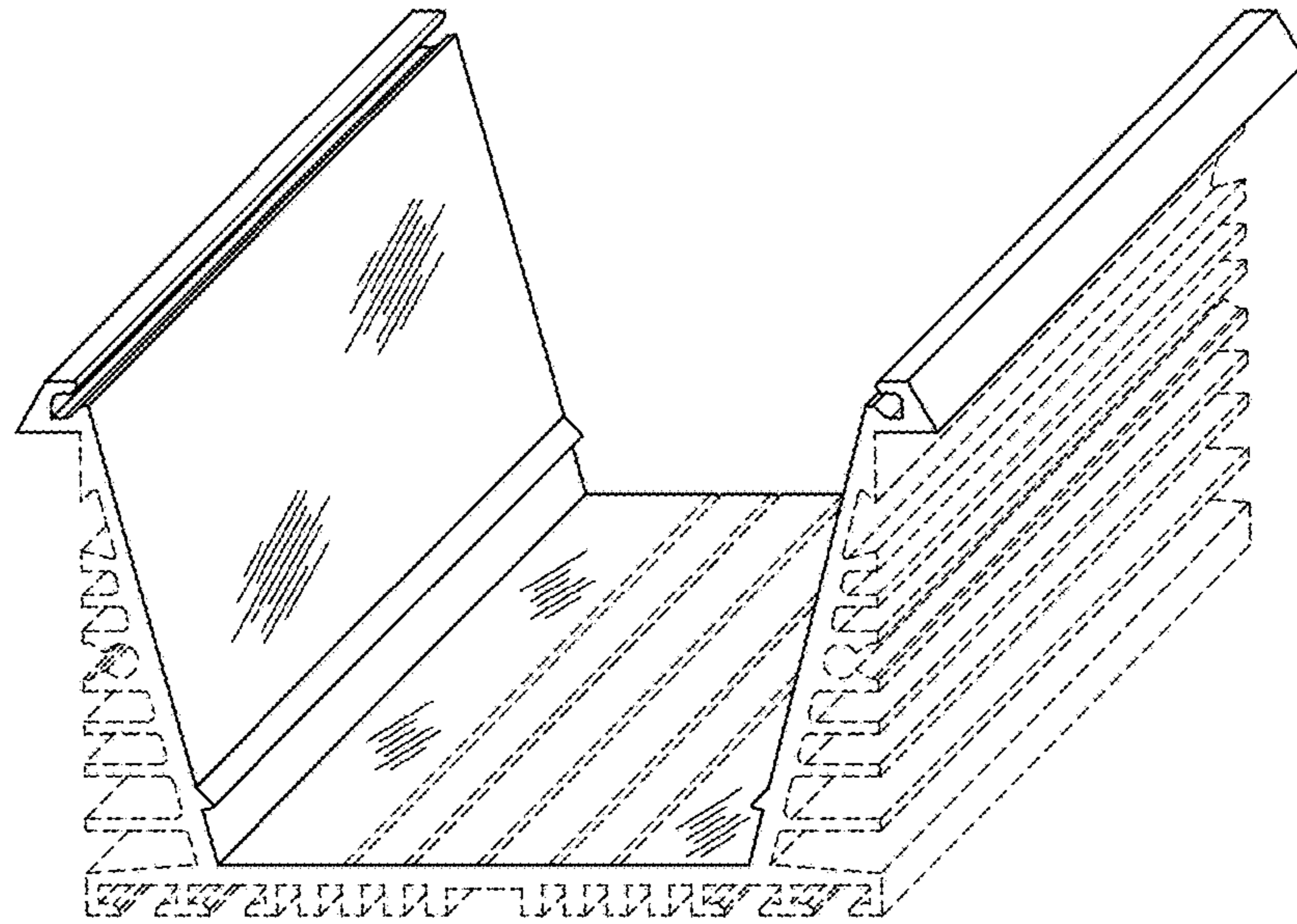


Fig. 2

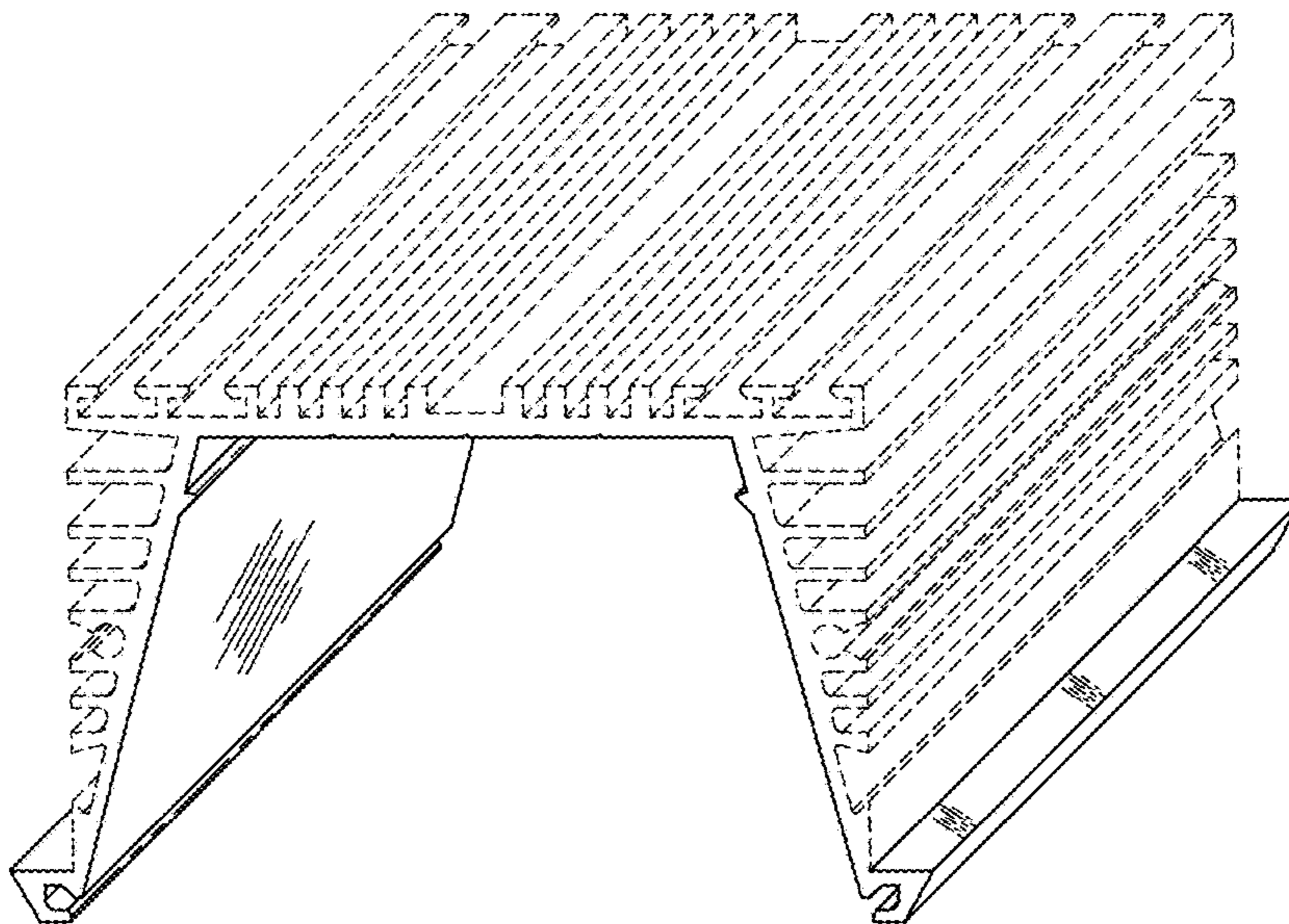


Fig. 3

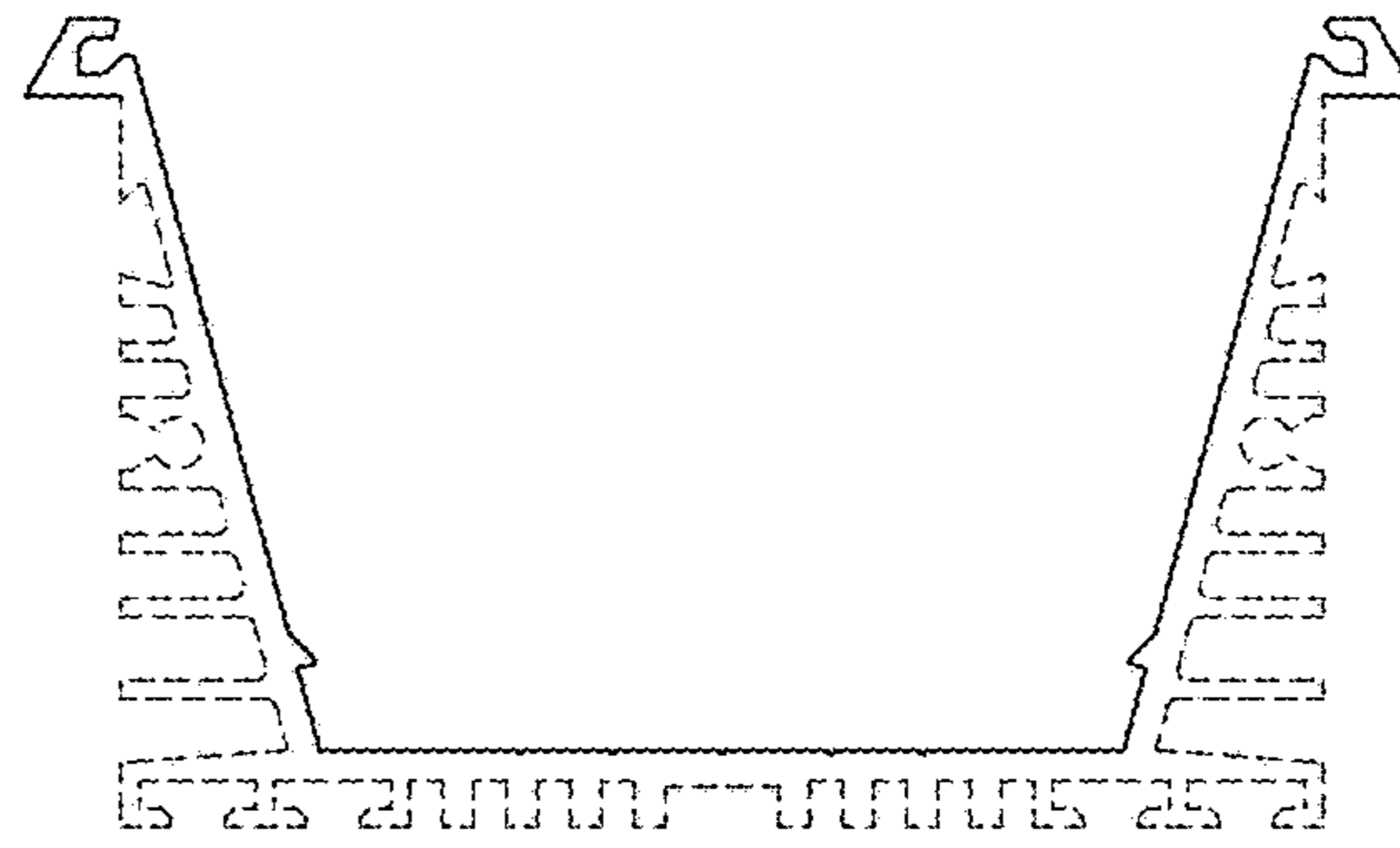


Fig. 4

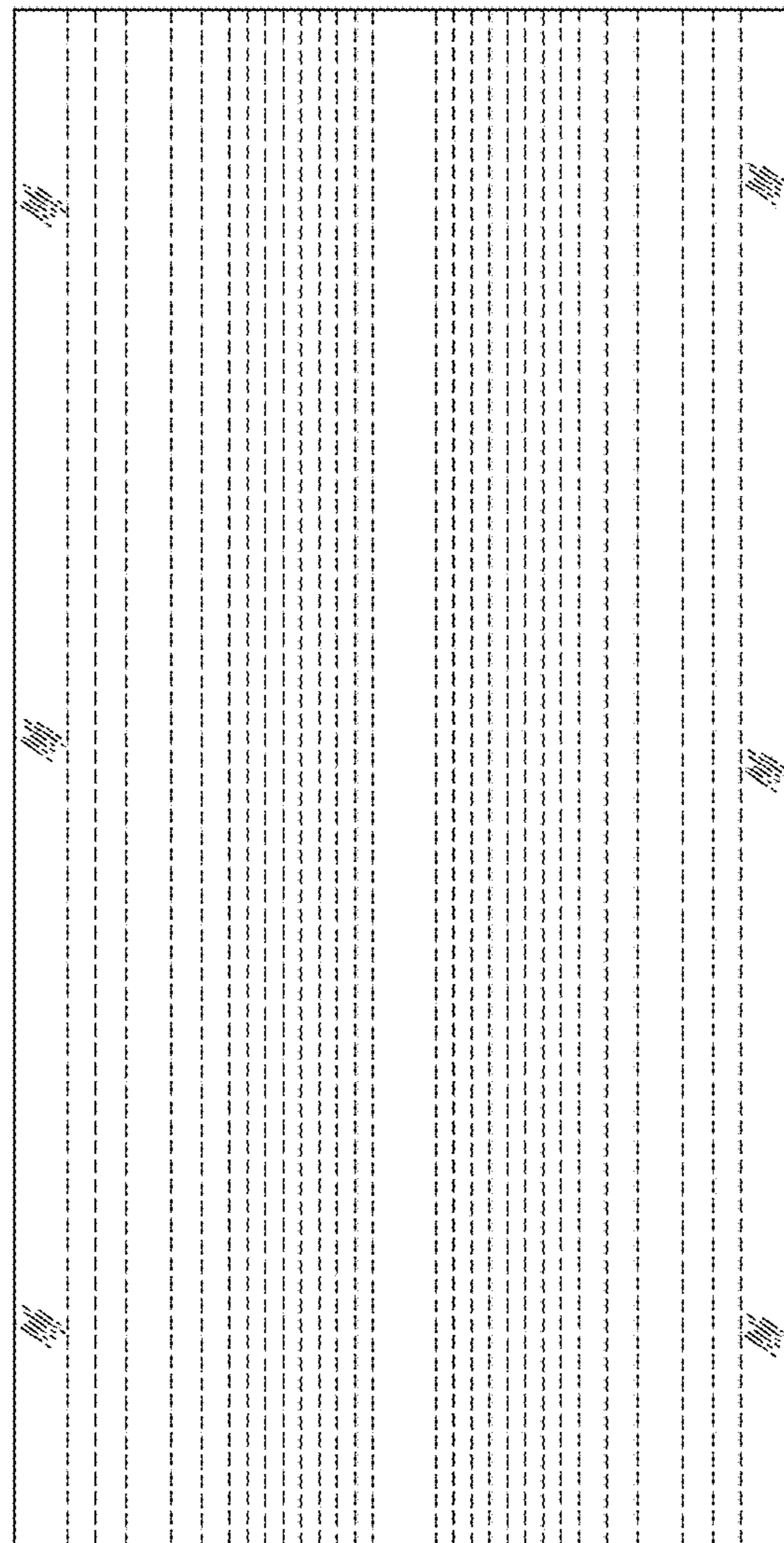


Fig. 5

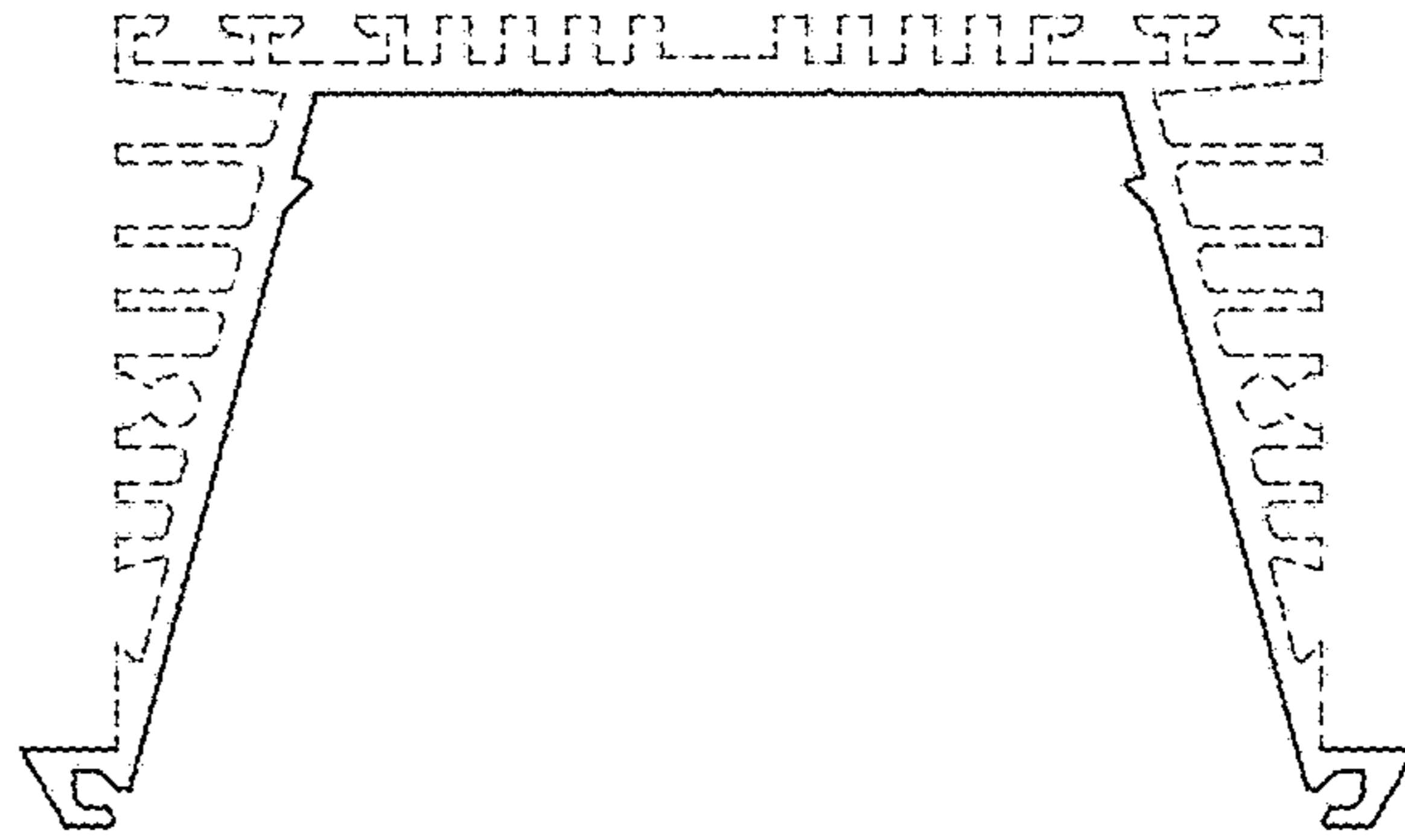


Fig. 6

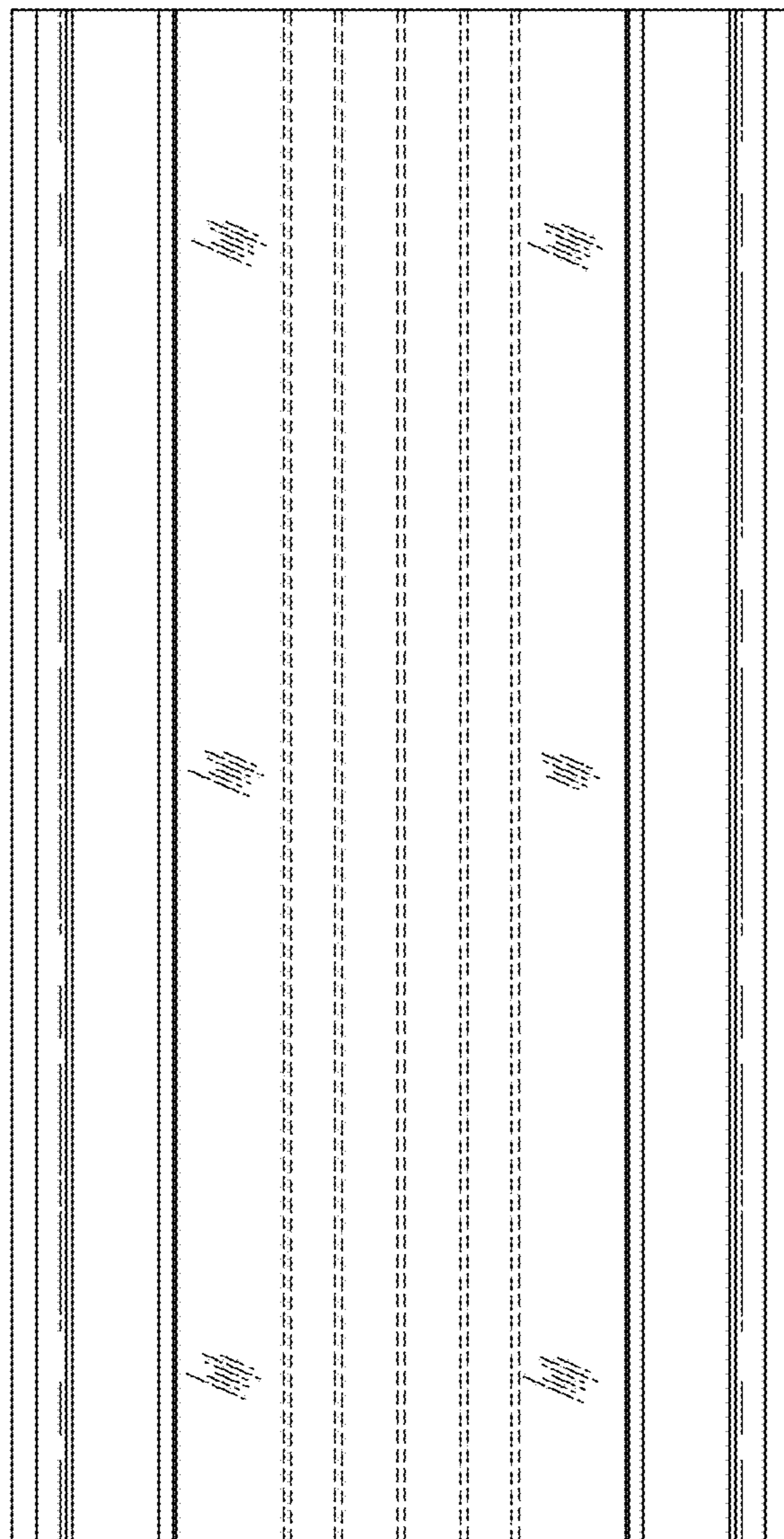


Fig. 7

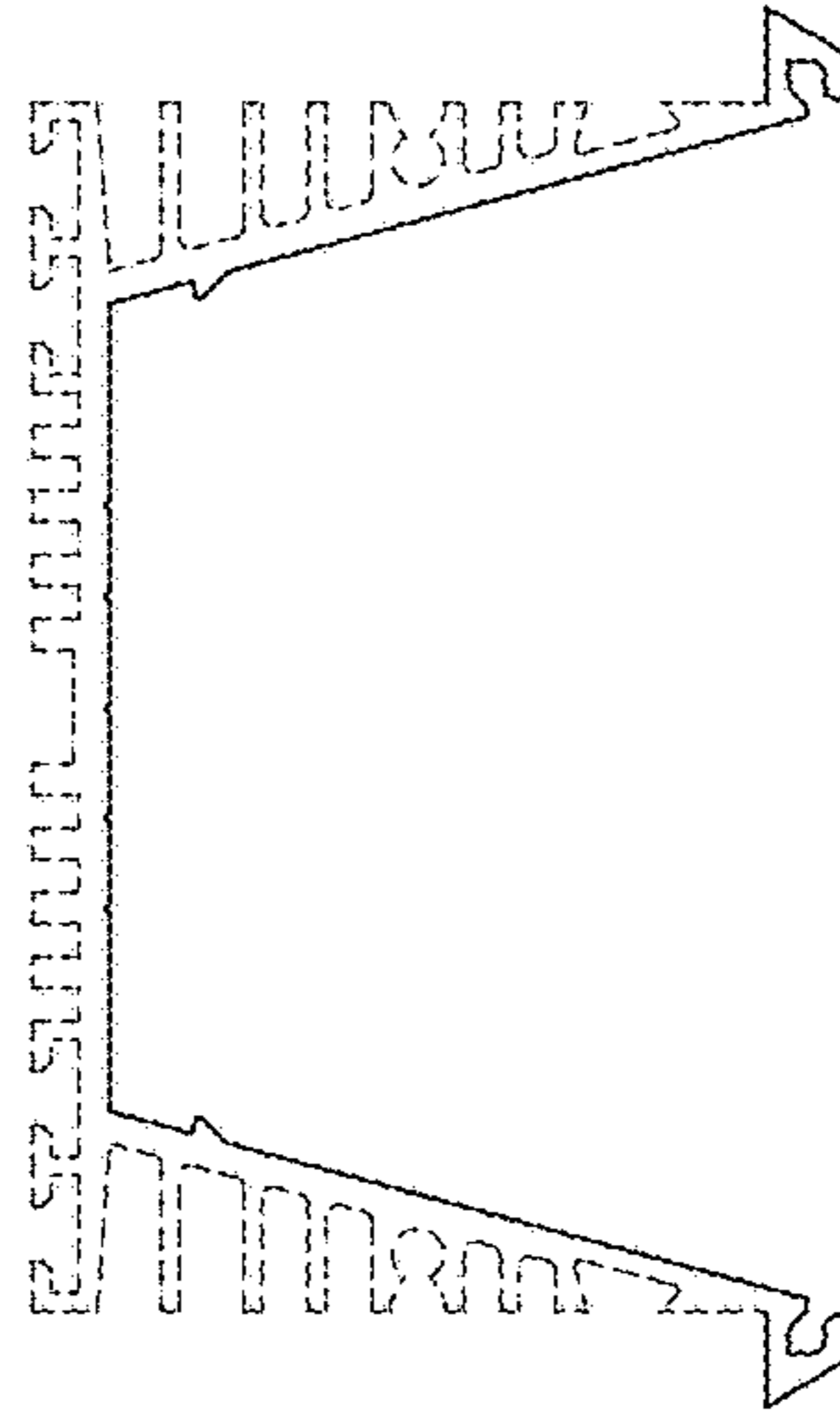


Fig. 8

