



US00D782105S

(12) **United States Design Patent**  
**Klus**

(10) **Patent No.:** **US D782,105 S**

(45) **Date of Patent:** **\*\* Mar. 21, 2017**

(54) **HOUSING FOR LED-BASED LIGHTING APPARATUS**

(71) Applicant: **Sylwester Klus**, Kamionka (PL)

(72) Inventor: **Sylwester Klus**, Kamionka (PL)

(\*\*) Term: **14 Years**

(21) Appl. No.: **29/526,573**

(22) Filed: **May 11, 2015**

(51) **LOC (10) Cl.** ..... **26-99**

(52) **U.S. Cl.**  
USPC ..... **D26/138**

(58) **Field of Classification Search**  
USPC ..... D13/110, 107, 108, 123, 133, 135, 137,  
D13/138, 199; D26/60-66, 138-139,  
D26/26-28, 72, 74, 75, 76, 81, 82, 106,  
D26/109, 113, 118; 174/53, 54; 362/269,  
362/274; D8/377; D25/119-122  
CPC ..... H01R 25/14; H01R 25/142; H01R 25/00;  
F16J 1/16; H01L 27/14618; H01L  
27/14601; H01L 27/14634; G06F 1/1637;  
E04C 2003/0408; E04C 2003/0421; E04C  
2003/043; E04C 2003/0434; E04C  
2003/0465

See application file for complete search history.

(56) **References Cited**

**U.S. PATENT DOCUMENTS**

D215,697 S \* 10/1969 Toder ..... D25/119  
D222,830 S \* 1/1972 Dover ..... D25/119  
D263,882 S \* 4/1982 Dallaire ..... D25/122  
D272,711 S \* 2/1984 Griset ..... D10/71

D299,760 S \* 2/1989 Hagg ..... D25/119  
5,653,412 A \* 8/1997 Martorano ..... F21V 21/025  
248/222.11  
6,033,239 A \* 3/2000 Jaakkola ..... H01R 25/145  
439/121  
D549,996 S \* 9/2007 Guiles ..... D25/119  
D575,631 S \* 8/2008 Huang ..... D8/354  
D621,961 S \* 8/2010 Gardner ..... D25/119  
D736,413 S \* 8/2015 Sparks ..... D25/121  
2002/0109984 A1 \* 8/2002 Bischel ..... E04B 9/006  
362/150  
2012/0320594 A1 \* 12/2012 Chien ..... F21V 21/14  
362/249.03  
2015/0316238 A1 \* 11/2015 Guilmette ..... H01R 25/14  
362/218

\* cited by examiner

*Primary Examiner* — Eric Goodman  
*Assistant Examiner* — Christopher J Matthews  
(74) *Attorney, Agent, or Firm* — Mark Terry

(57) **CLAIM**

The ornamental design for a housing for an LED-based lighting apparatus, as shown and described.

**DESCRIPTION**

FIG. 1 is a top front perspective view of a housing for an LED-based lighting apparatus, showing the new design; FIG. 2 is a bottom front perspective view thereof; FIG. 3 is a front view thereof; FIG. 4 is a bottom view thereof; FIG. 5 is a top view thereof; FIG. 6 is a right side view thereof; and, FIG. 7 is a left side view thereof.

**1 Claim, 4 Drawing Sheets**

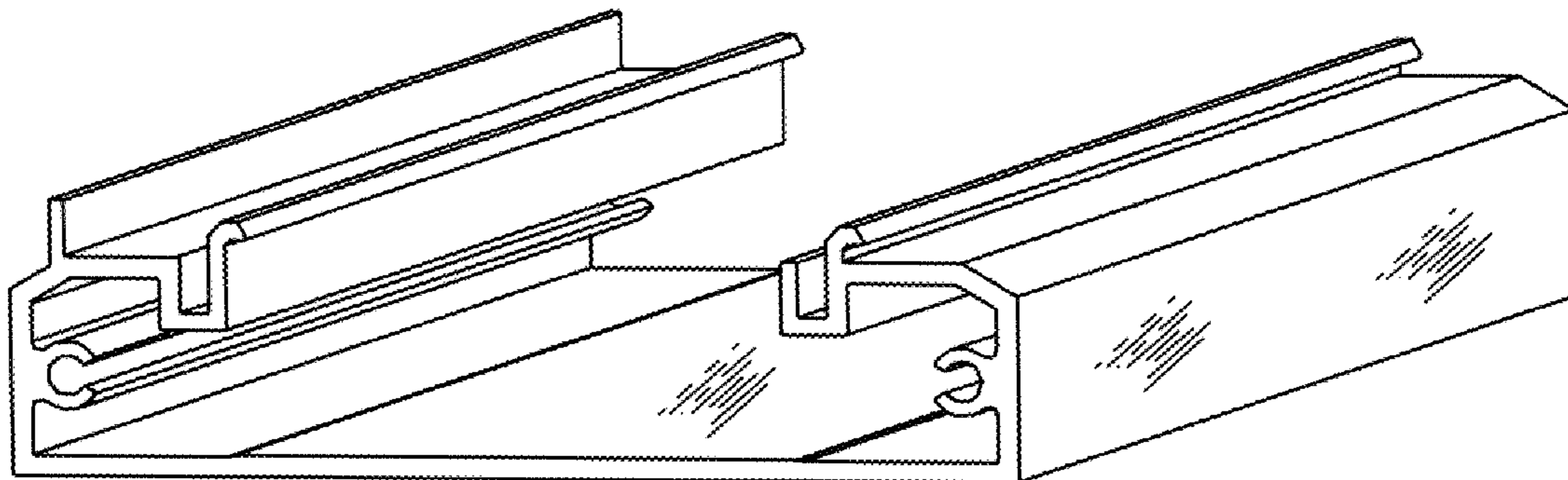


Fig. 1

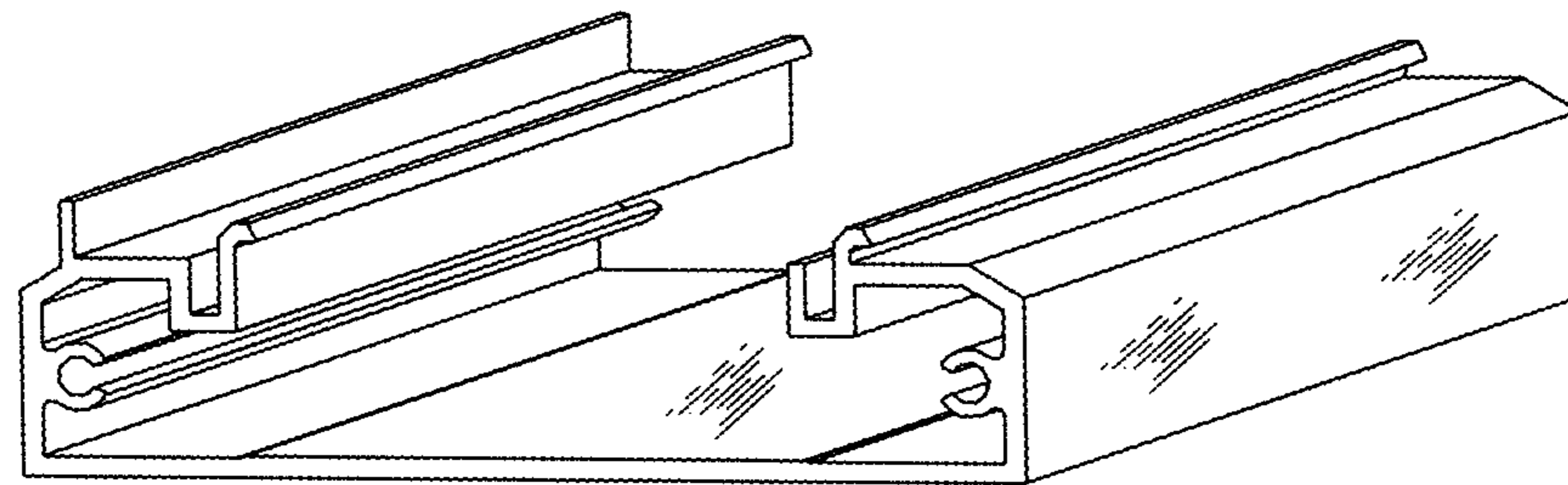


Fig. 2

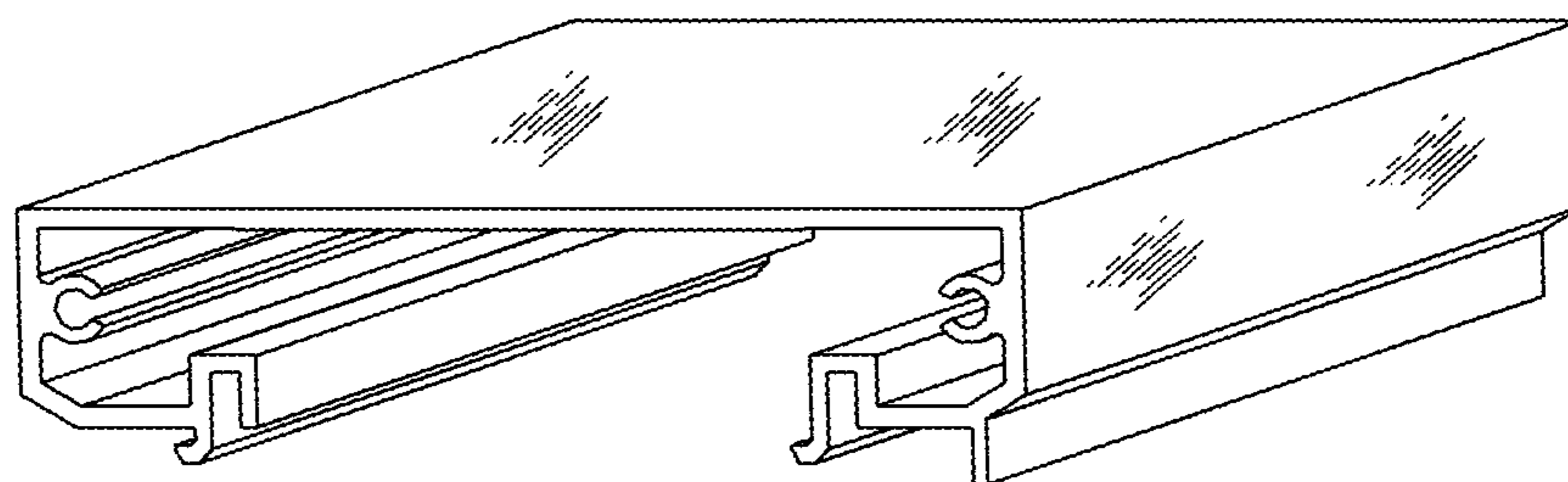


Fig. 3



Fig. 4

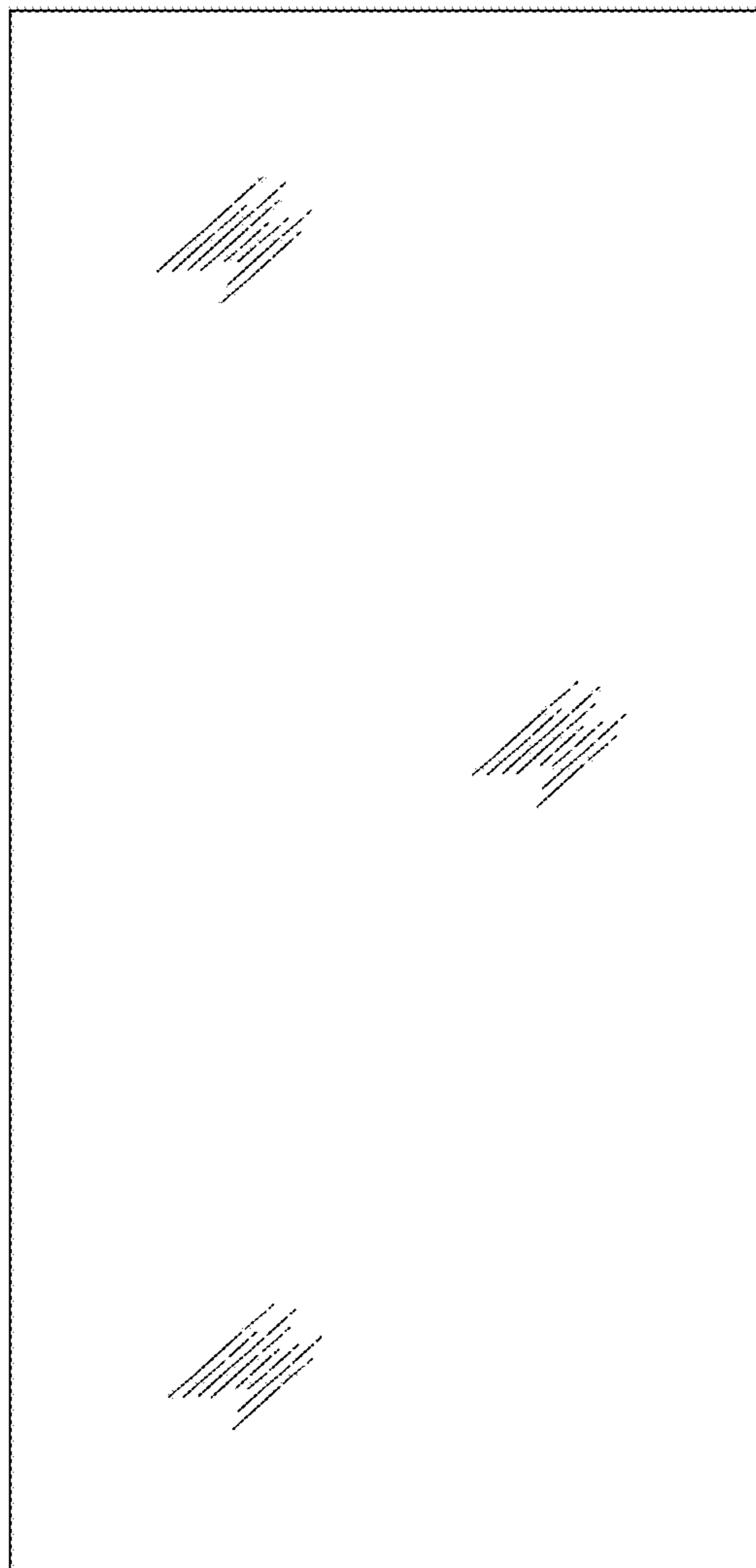


Fig. 5

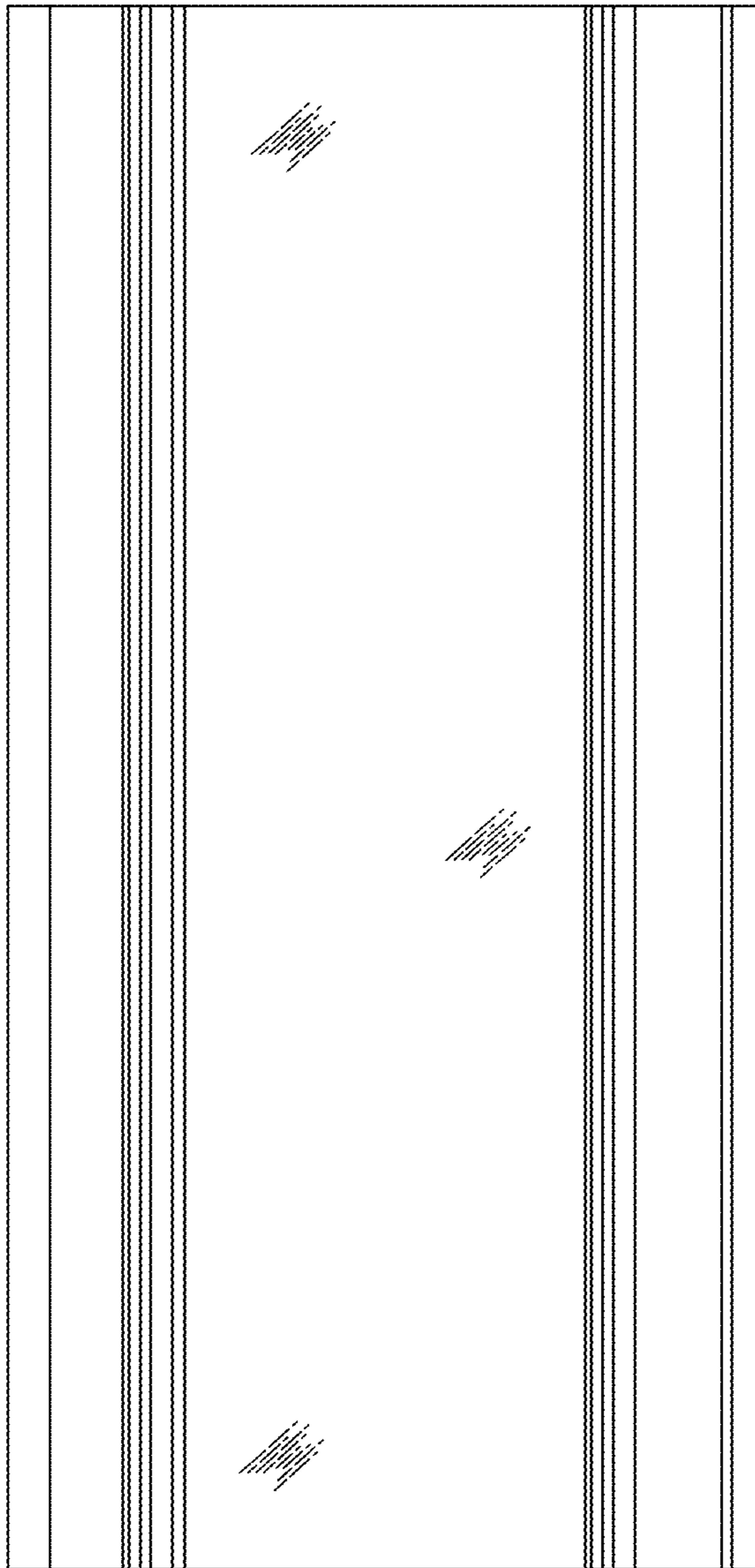


Fig. 6

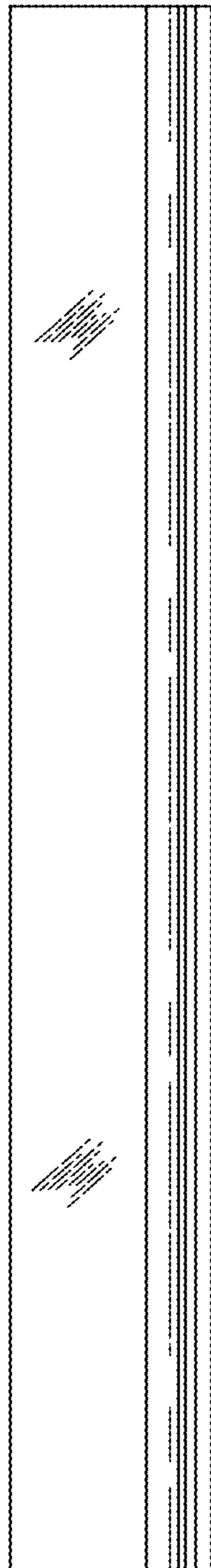


Fig. 7

