



US00D782102S

(12) **United States Design Patent**
Rice et al.

(10) **Patent No.:** **US D782,102 S**
(45) **Date of Patent:** **** Mar. 21, 2017**

(54) **LAMP OPTIC FOR A VEHICLE LAMP**

(56) **References Cited**

(71) Applicants: **Lawrence M. Rice**, Hillsboro, NH (US); **Ronald E. Boyd, Jr.**, Chichester, NH (US); **Thomas Tessnow**, Weare, NH (US); **Howard Eng**, Hancock, NH (US)

U.S. PATENT DOCUMENTS

5,757,557 A *	5/1998	Medvedev	F21V 5/04 359/708
D625,462 S *	10/2010	Ku	D26/128
D689,649 S *	9/2013	Popper	D26/124
D691,321 S *	10/2013	Chen	D26/124
D725,818 S *	3/2015	Yao	D26/118
D746,509 S *	12/2015	Yu	D26/120
D751,246 S *	3/2016	Yao	D26/118
D770,552 S *	11/2016	Radl	D26/124
D771,303 S *	11/2016	Ross	D26/118

(72) Inventors: **Lawrence M. Rice**, Hillsboro, NH (US); **Ronald E. Boyd, Jr.**, Chichester, NH (US); **Thomas Tessnow**, Weare, NH (US); **Howard Eng**, Hancock, NH (US)

* cited by examiner

(73) Assignee: **OSRAM SYLVANIA Inc.**, Wilmington, MA (US)

Primary Examiner — Brian N Vinson

(74) *Attorney, Agent, or Firm* — Edward S. Podszus

(**) Term: **15 Years**

(57) **CLAIM**

The ornamental design for a lamp optic for a vehicle lamp, as shown and described.

(21) Appl. No.: **29/540,511**

(22) Filed: **Sep. 25, 2015**

DESCRIPTION

(51) **LOC (10) Cl.** **26-99**

FIG. 1 is a front, top perspective view of the ornamental design for the lamp optic;

(52) **U.S. Cl.**

FIG. 2 is a front, bottom perspective view thereof;

USPC **D26/124**

FIG. 3 is a front elevational view thereof, the side and rear views being the same;

(58) **Field of Classification Search**

USPC D26/28, 118, 120, 124, 128

CPC . F21V 7/00; F21V 7/0008; F21V 5/00; F21V

5/04; F21V 5/02; F21V 5/01; F21S 8/00;

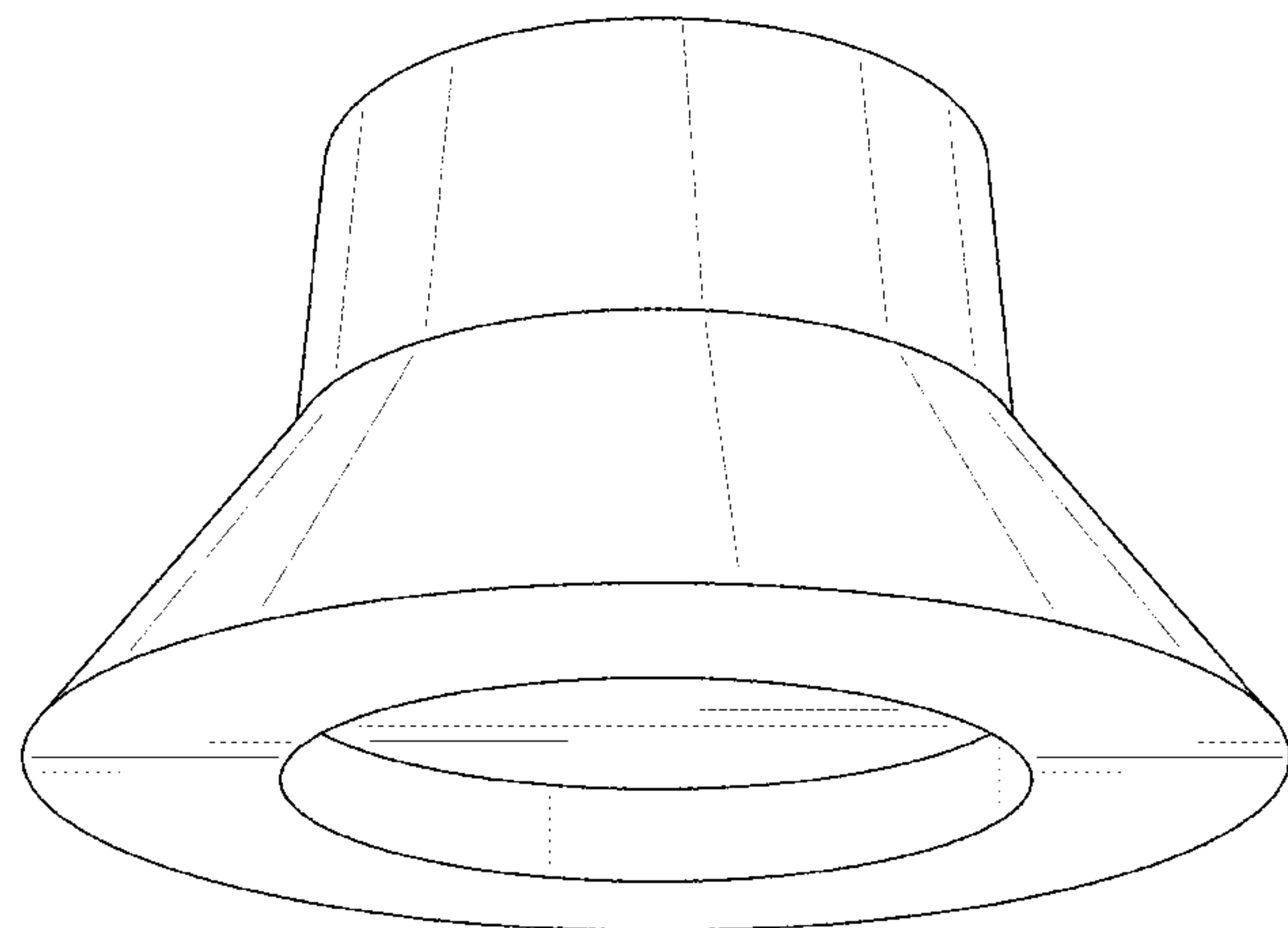
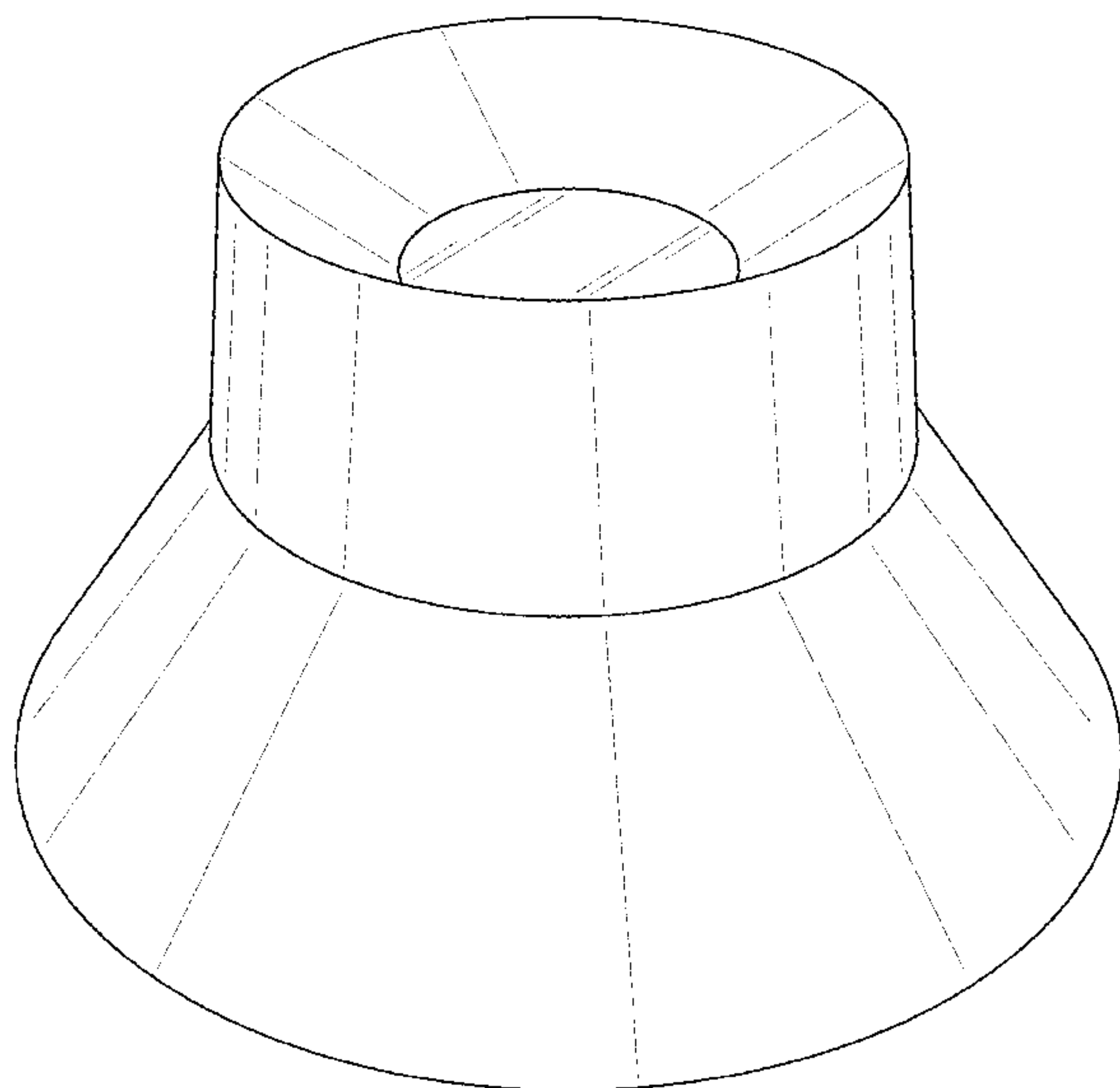
F21S 8/03; F21S 8/04

FIG. 4 is a top view thereof; and,

FIG. 5 is a bottom view thereof.

See application file for complete search history.

1 Claim, 5 Drawing Sheets



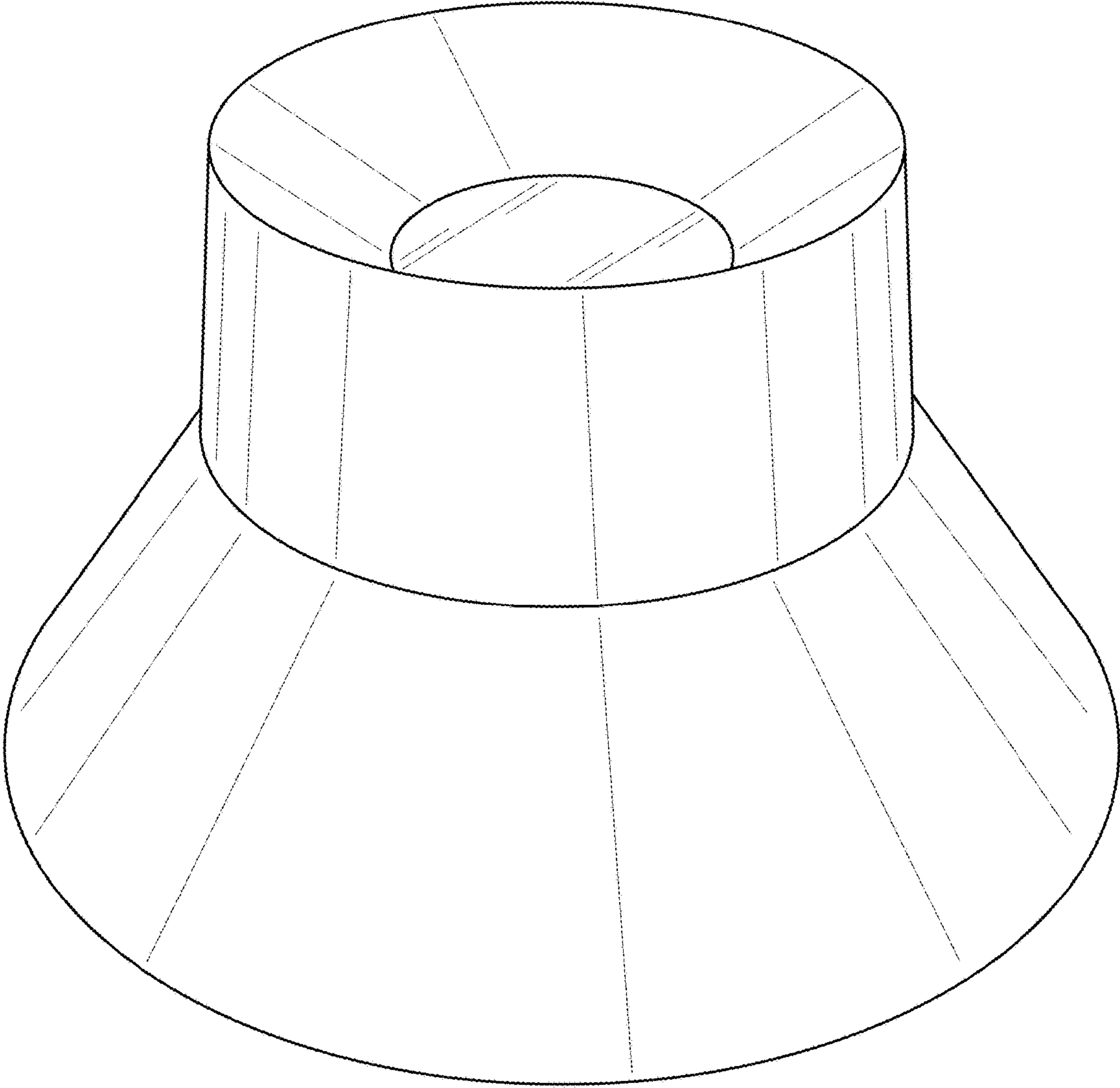


FIG. 1

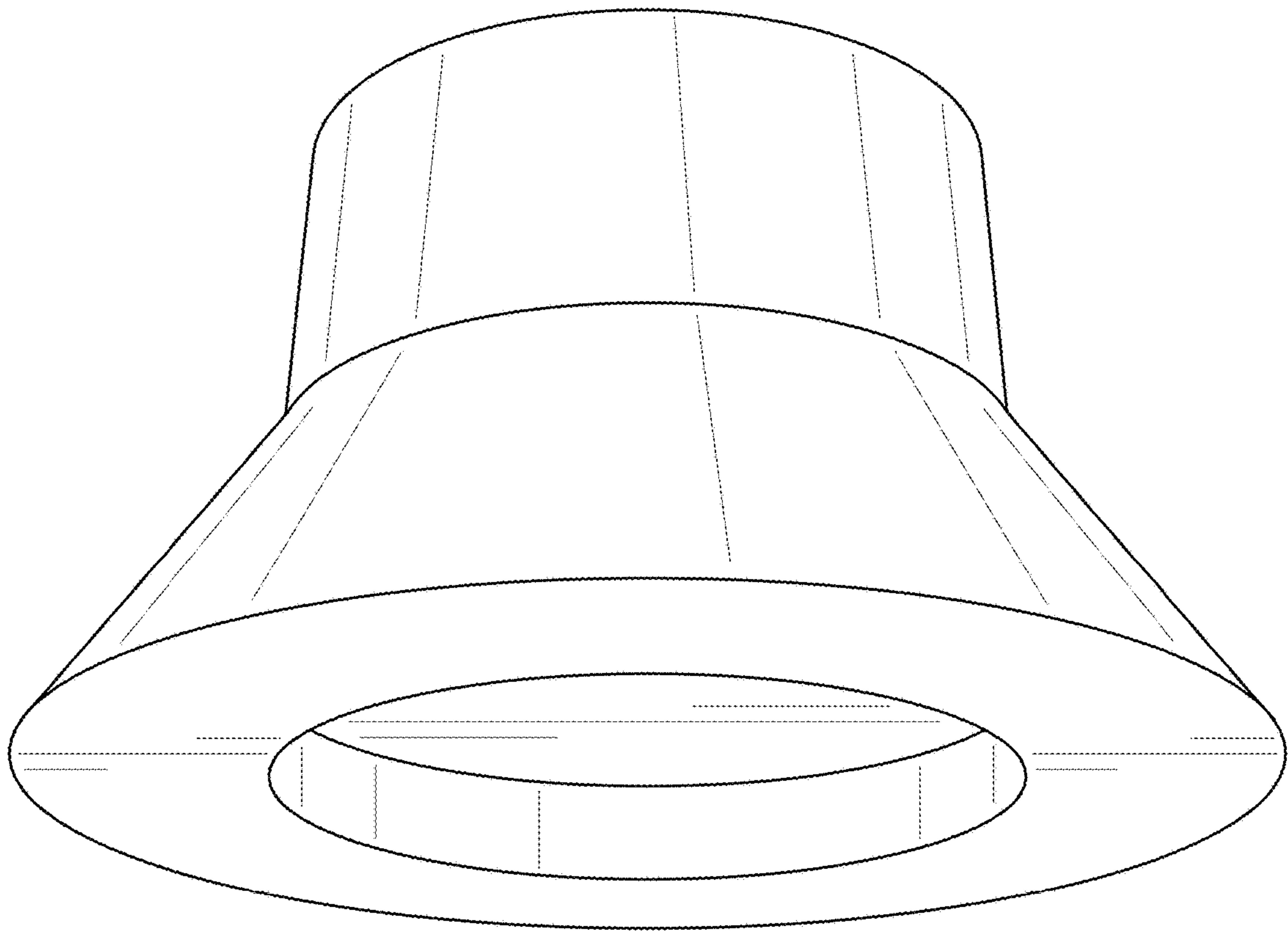


FIG. 2

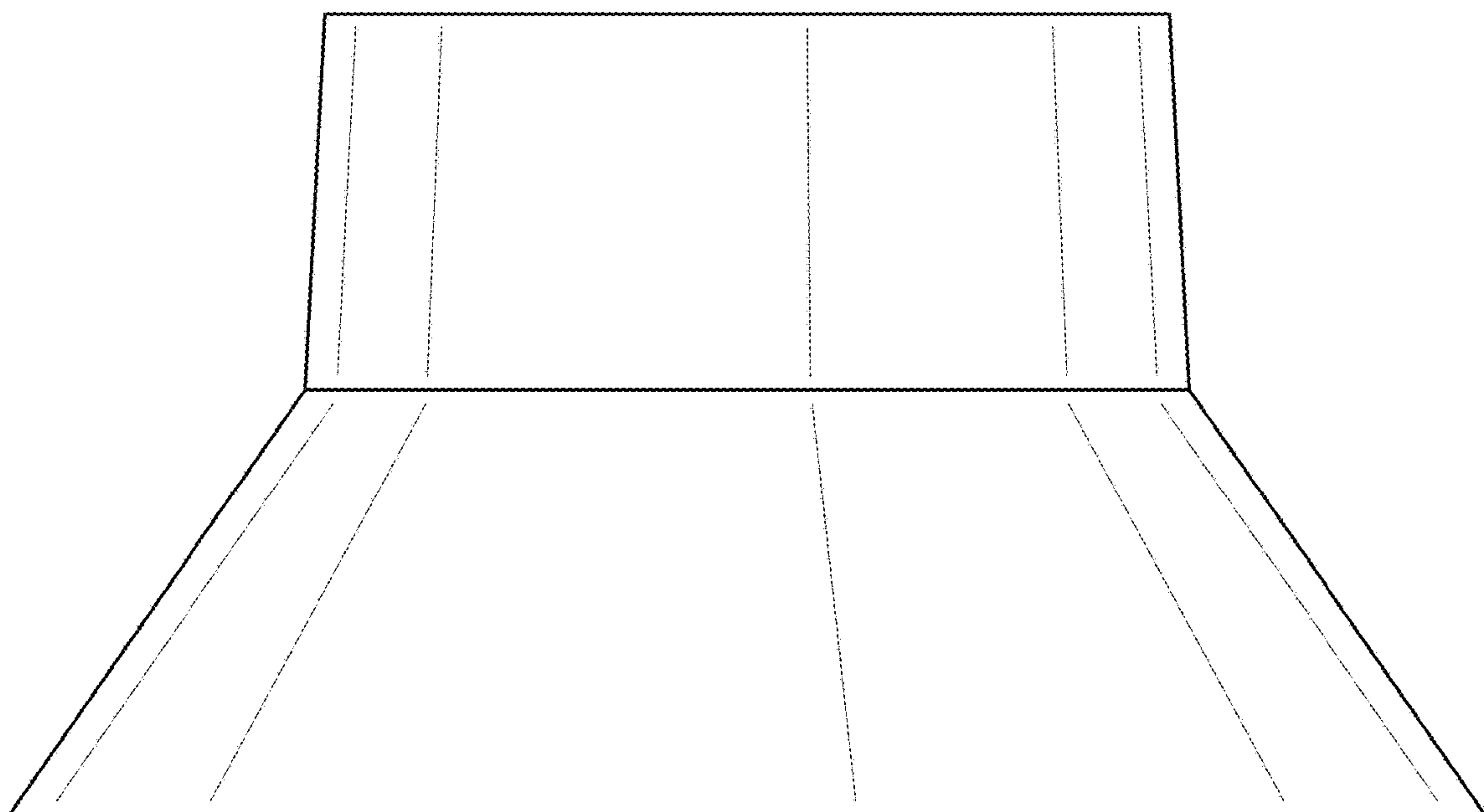


FIG. 3

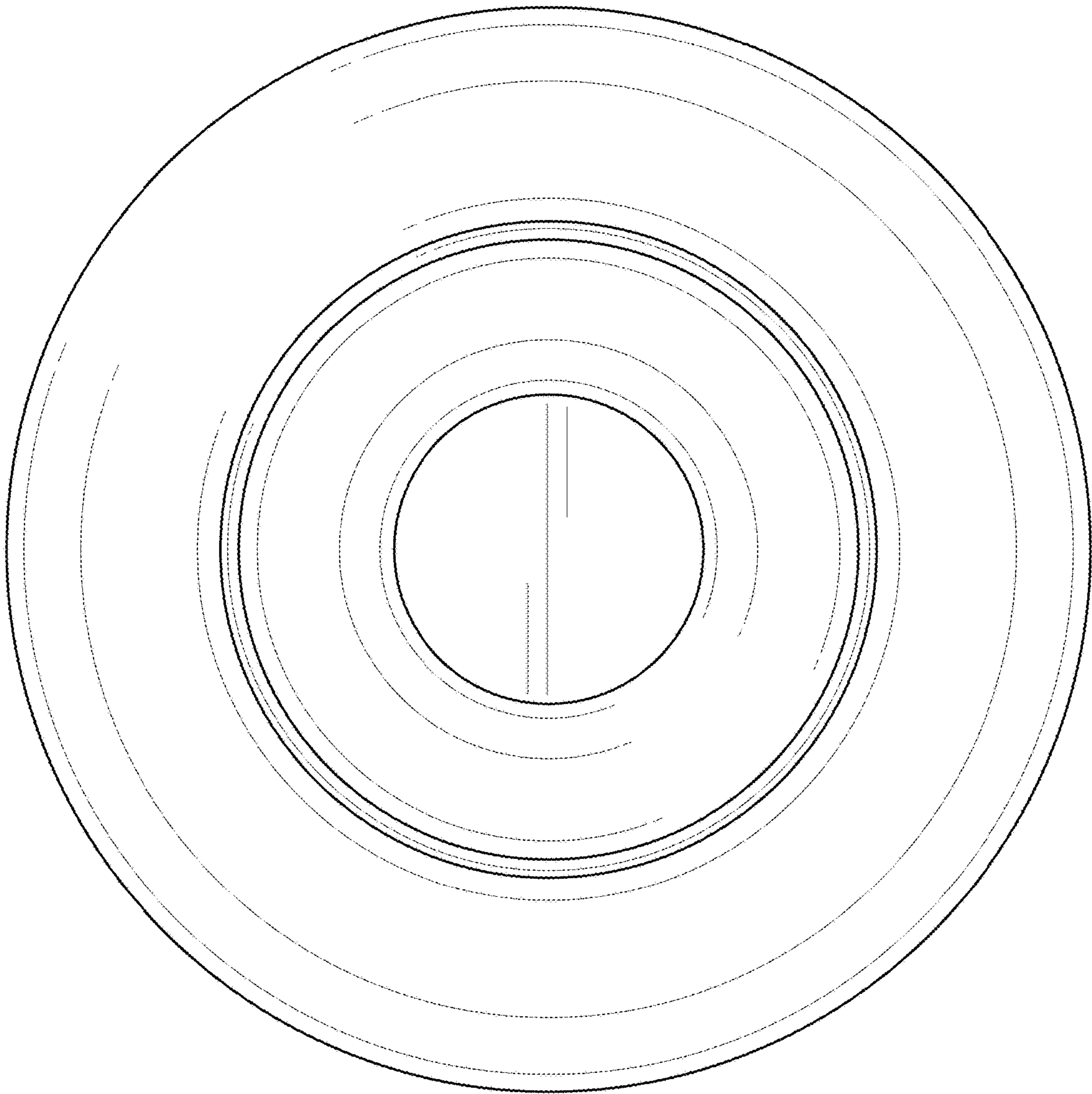


FIG. 4

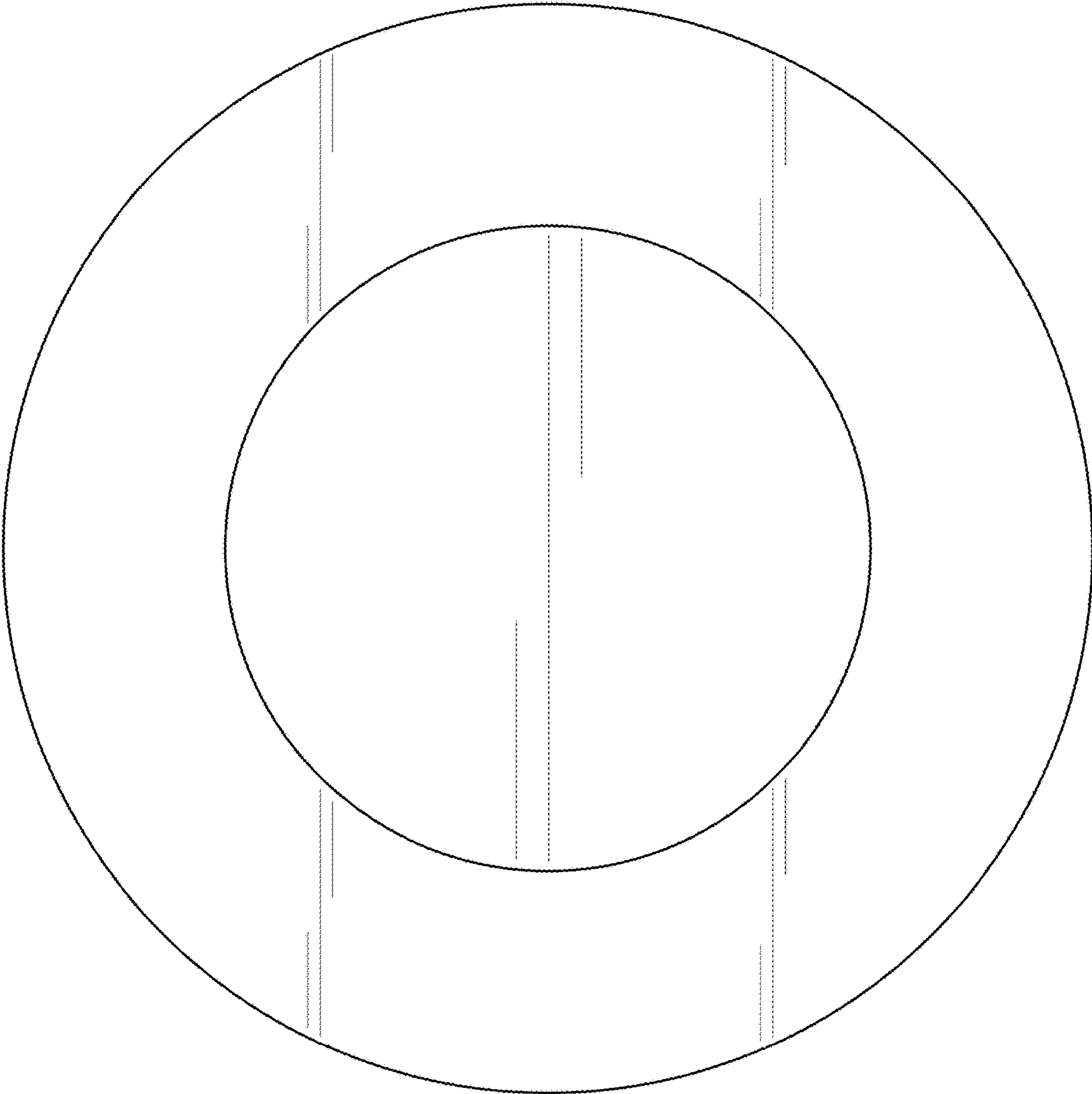


FIG. 5