



US00D782100S

(12) **United States Design Patent**
Kitts

(10) **Patent No.:** **US D782,100 S**
(45) **Date of Patent:** **** Mar. 21, 2017**

(54) **LAMP**

(71) Applicant: **Hubbardton Forge LLC**, Castleton,
VT (US)

(72) Inventor: **David Kitts**, Rutland, VT (US)

(73) Assignee: **Hubbardton Forge, LLC.**, Castleton,
VT (US)

(**) Term: **15 Years**

(21) Appl. No.: **29/546,148**

(22) Filed: **Nov. 19, 2015**

(51) **LOC (10) Cl.** **26-03**

(52) **U.S. Cl.**
USPC **D26/87; D26/145**

(58) **Field of Classification Search**
USPC D26/72, 85, 86, 87, 118, 120, 141, 145,
D26/155
CPC F21S 8/03; F21S 8/035; F21S 8/036; F21S
8/037; F21V 1/146; F21V 3/0409; F21V
7/043; F21V 7/05; F21V 7/06
See application file for complete search history.

(56) **References Cited**

U.S. PATENT DOCUMENTS

D233,166 S * 10/1974 Gore et al. D26/87
D300,372 S * 3/1989 O'Dohanue D26/67

D300,373 S * 3/1989 Galipeau D26/67
D382,079 S * 8/1997 Porter D26/87
D429,363 S * 8/2000 Hsieh D26/87
D572,401 S * 7/2008 Chandler D26/87
D697,249 S * 1/2014 Pyle D26/85
D754,908 S * 4/2016 Orozco D26/85

OTHER PUBLICATIONS

Mackintosh fixture #12-4322-20-G47 shown on p. 172 of the
Hubbardton Forge 2007 Catalog.(3 pages, includes front and rear
cover of catalog).*

* cited by examiner

Primary Examiner — Clare E Heflin

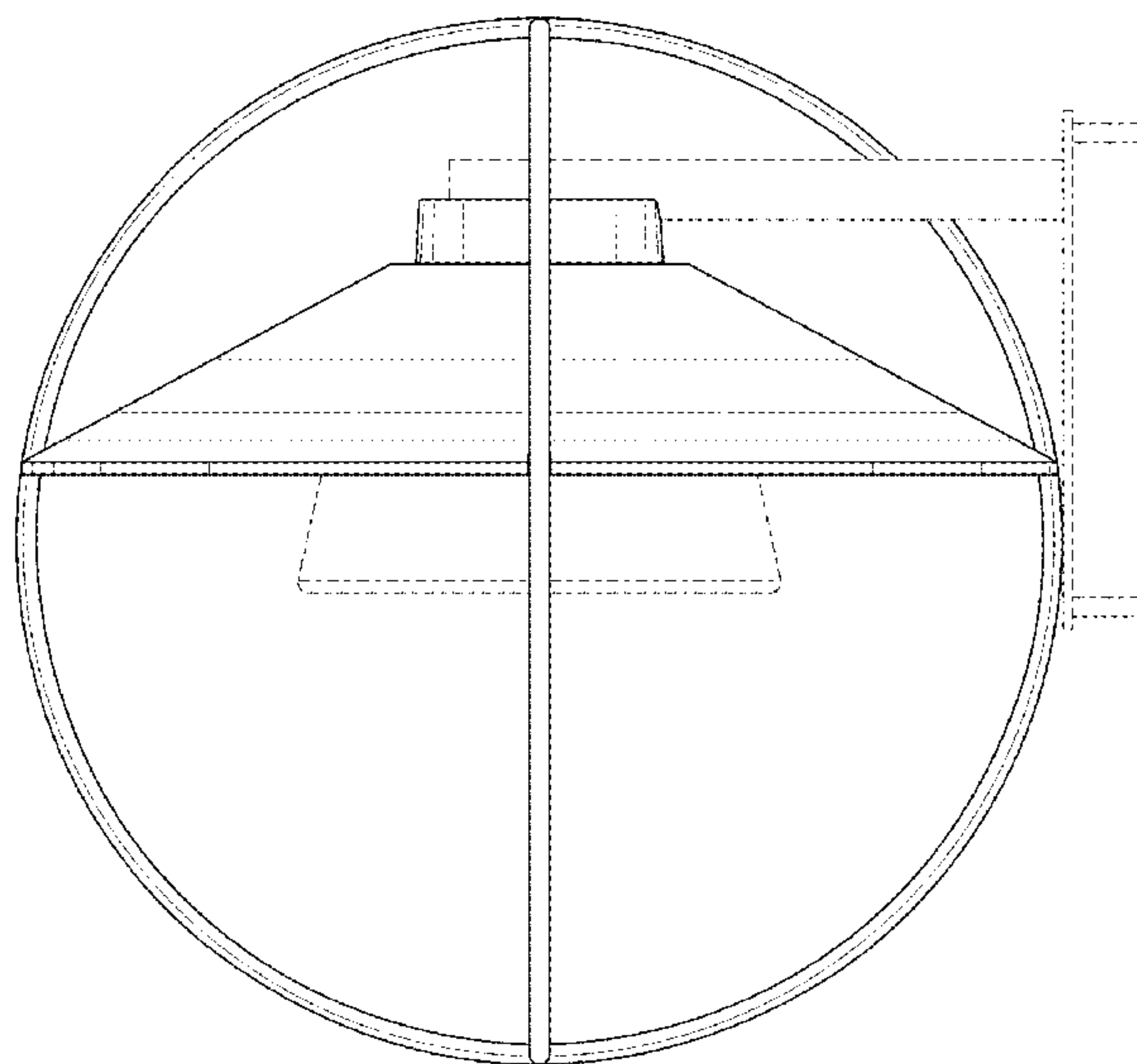
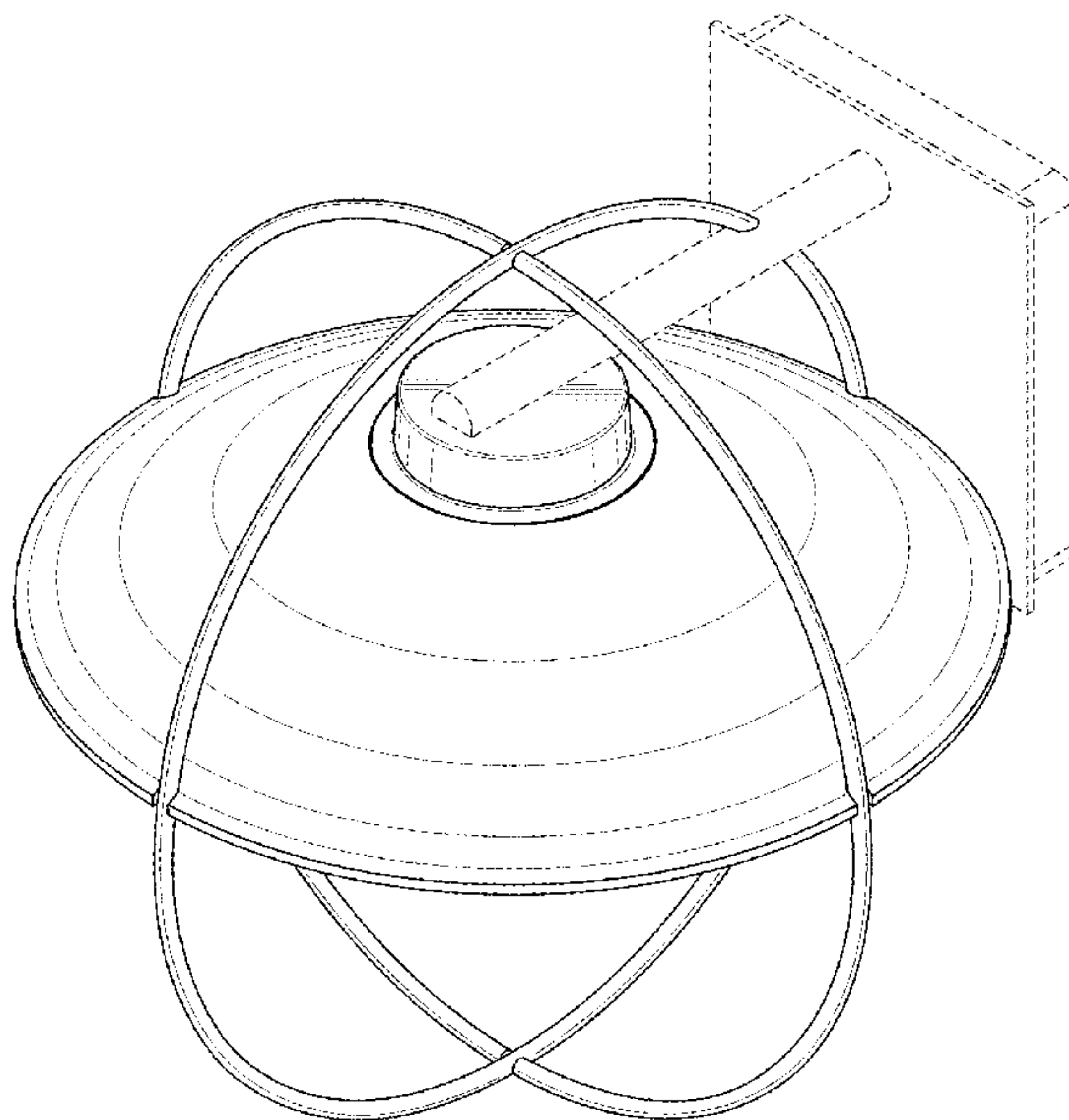
(57) **CLAIM**

The ornamental design for a lamp, as shown and described.

DESCRIPTION

FIG. 1 is a perspective view of the lamp according to the
present invention;
FIG. 2 is a front view of the lamp thereof;
FIG. 3 is a back view of the lamp thereof;
FIG. 4 is a right side view of the lamp thereof;
FIG. 5 is a left side view of the lamp thereof;
FIG. 6 is a top view of the lamp thereof; and,
FIG. 7 is a bottom view of the lamp thereof.
The dashed lines in the drawings illustrate portions of the
lamp which form no part of the claimed design.

1 Claim, 7 Drawing Sheets



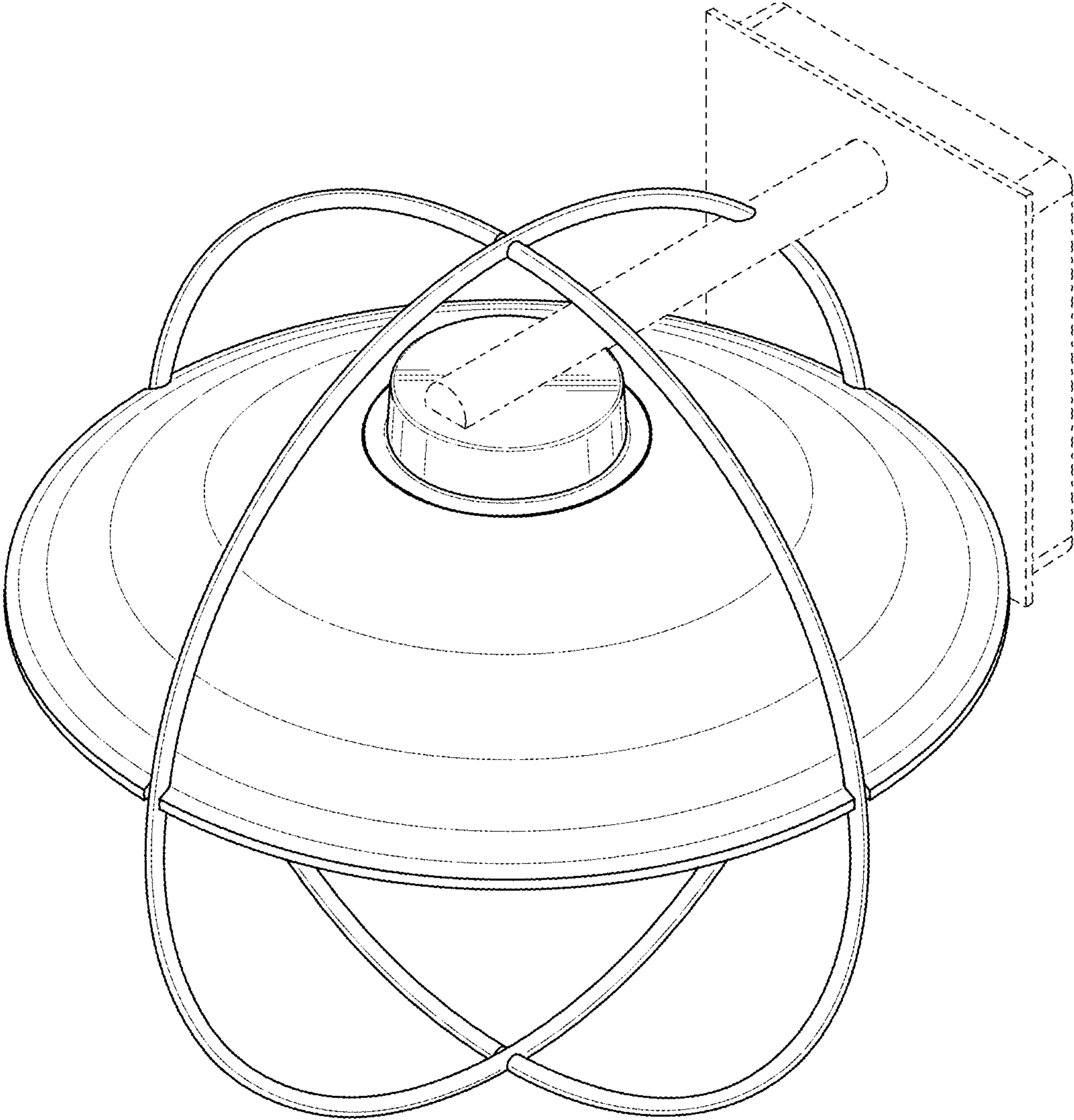


FIG. 1

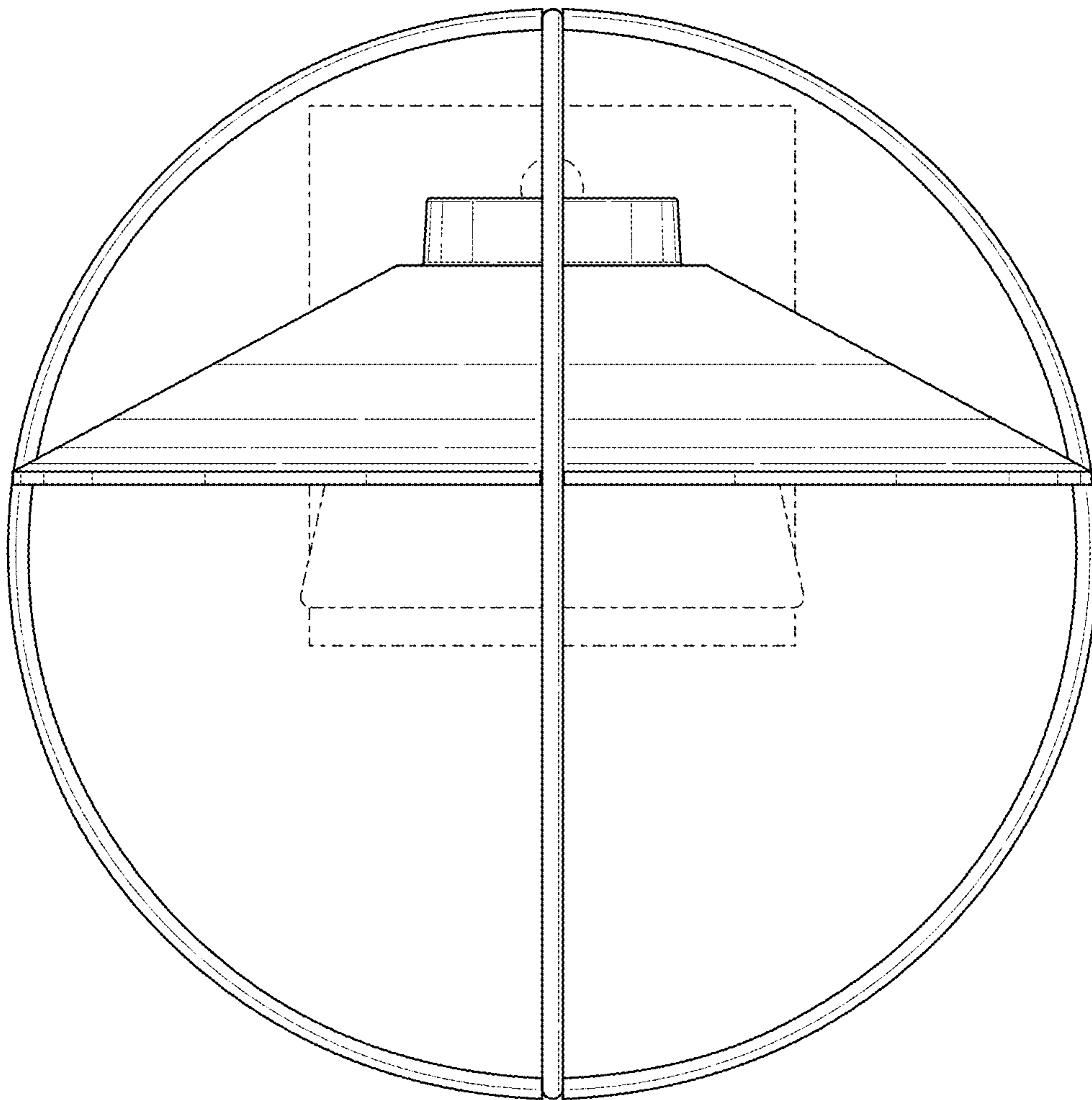


FIG. 2

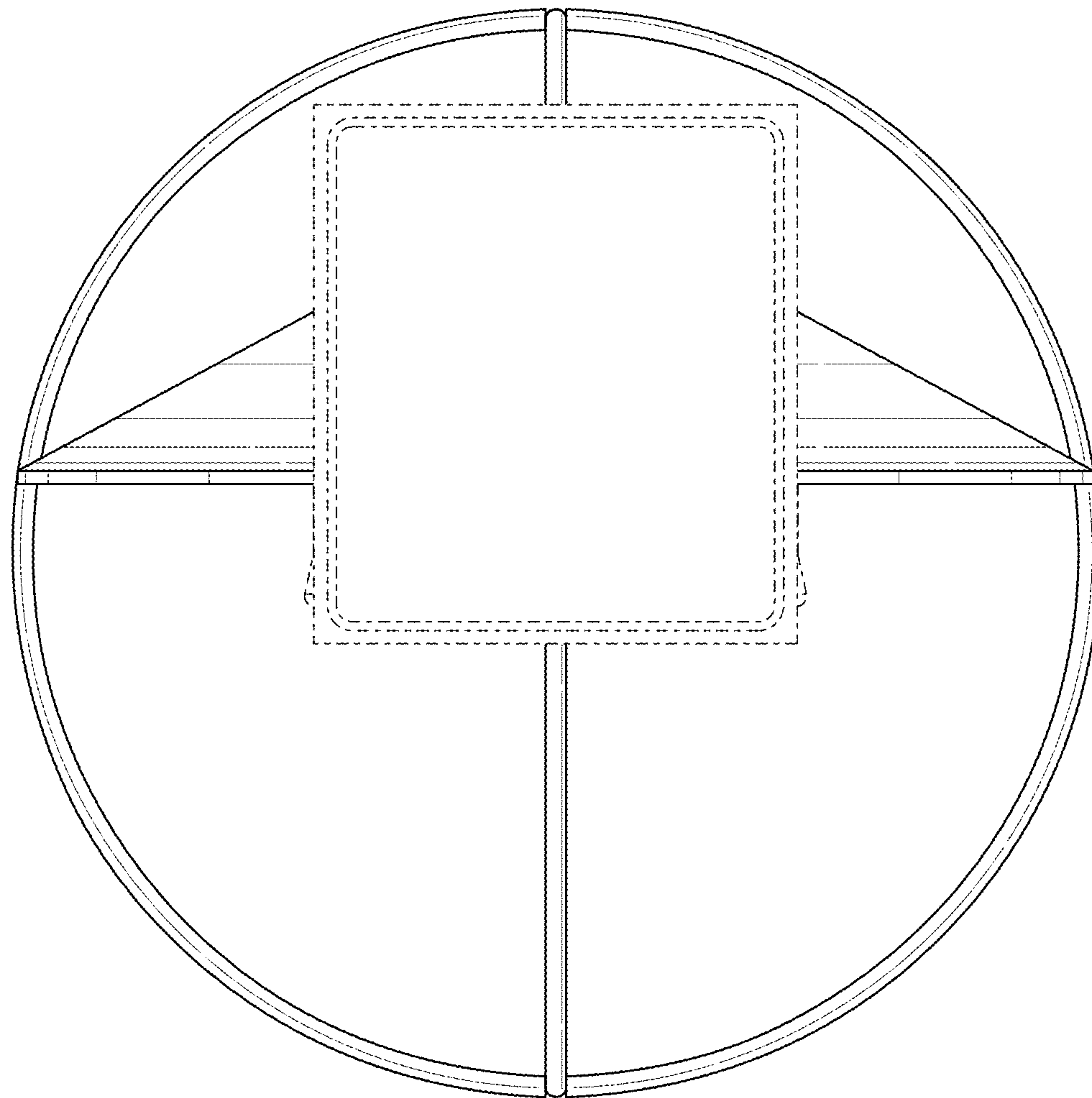


FIG. 3

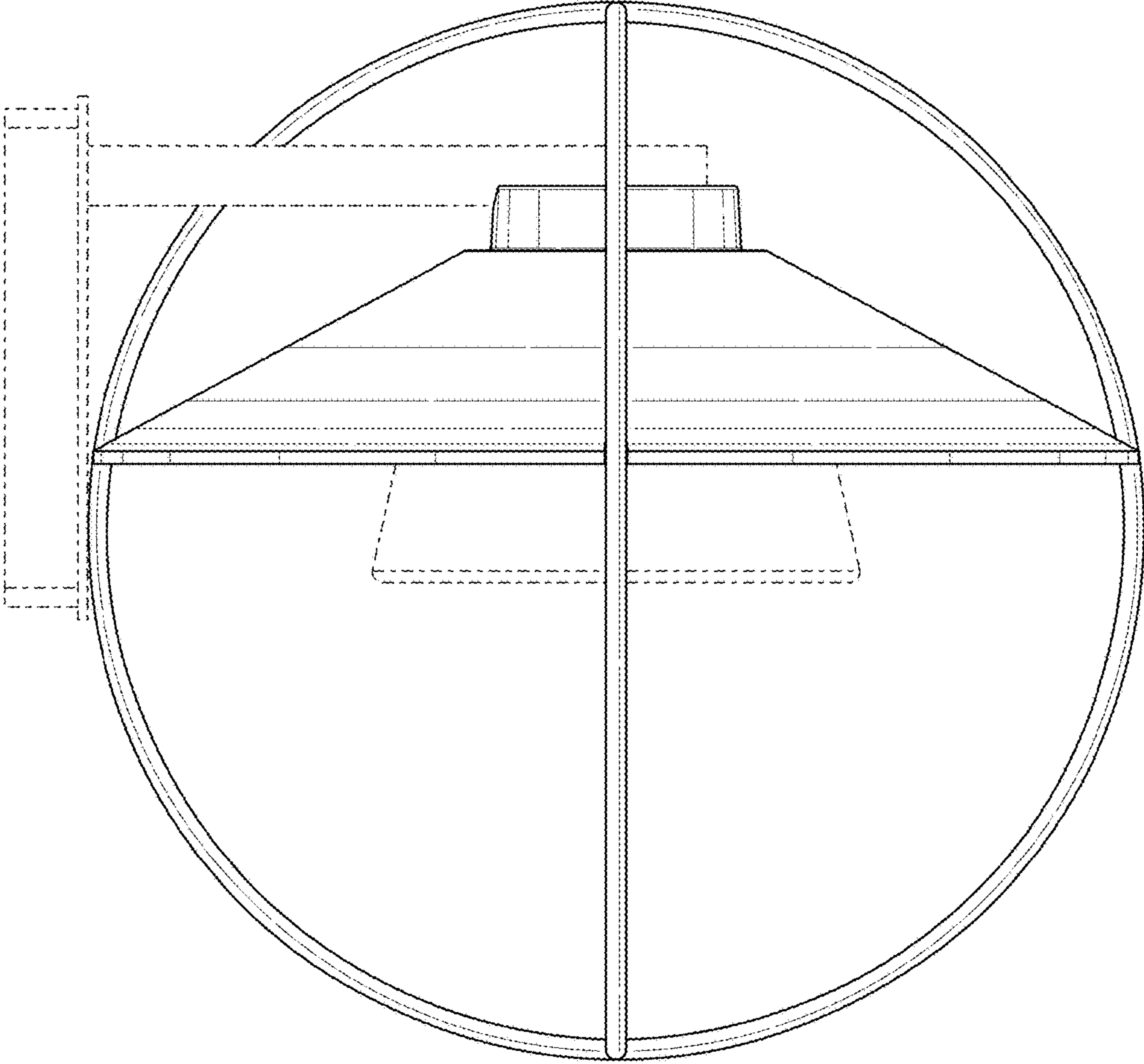


FIG. 4

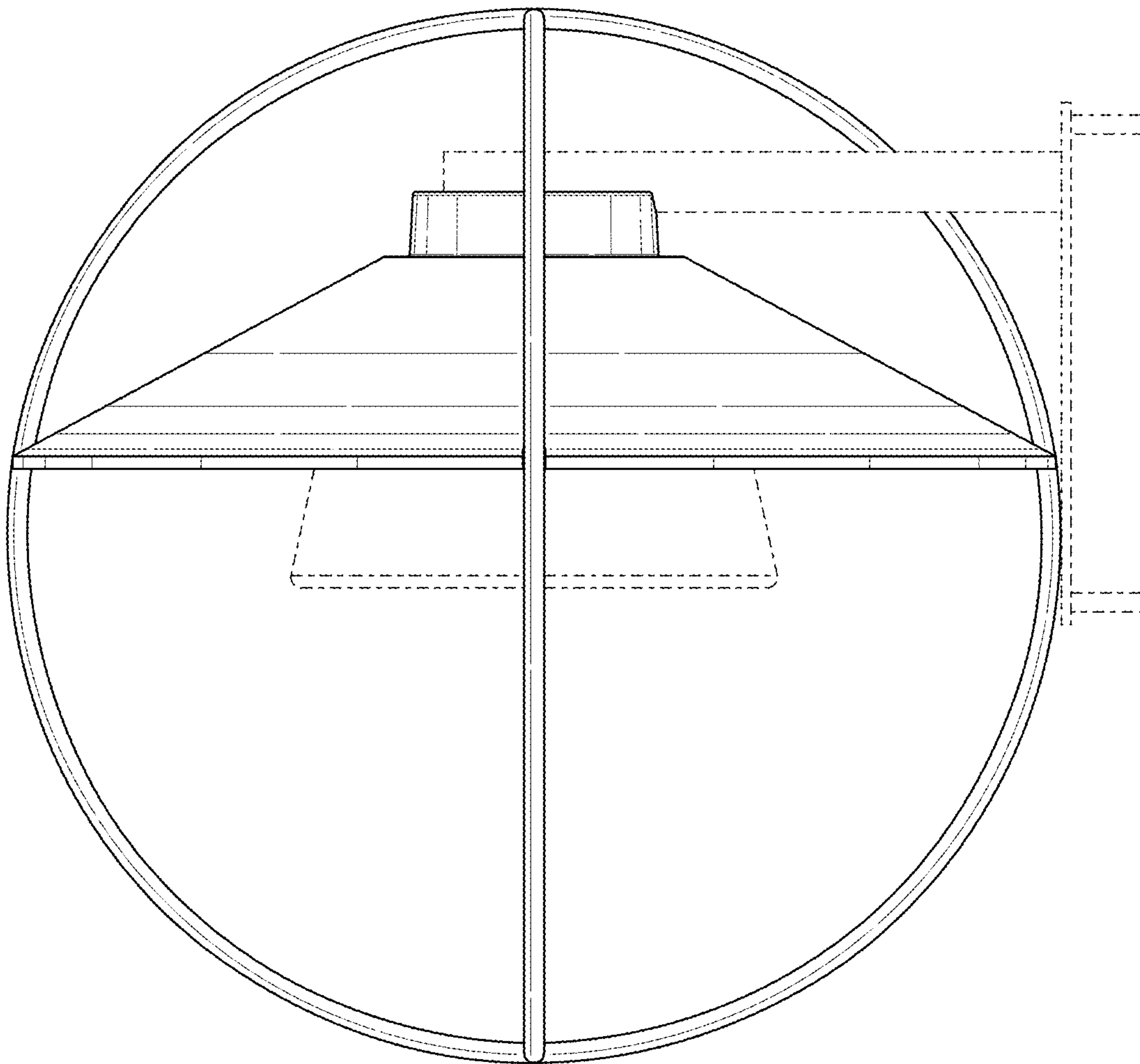


FIG. 5

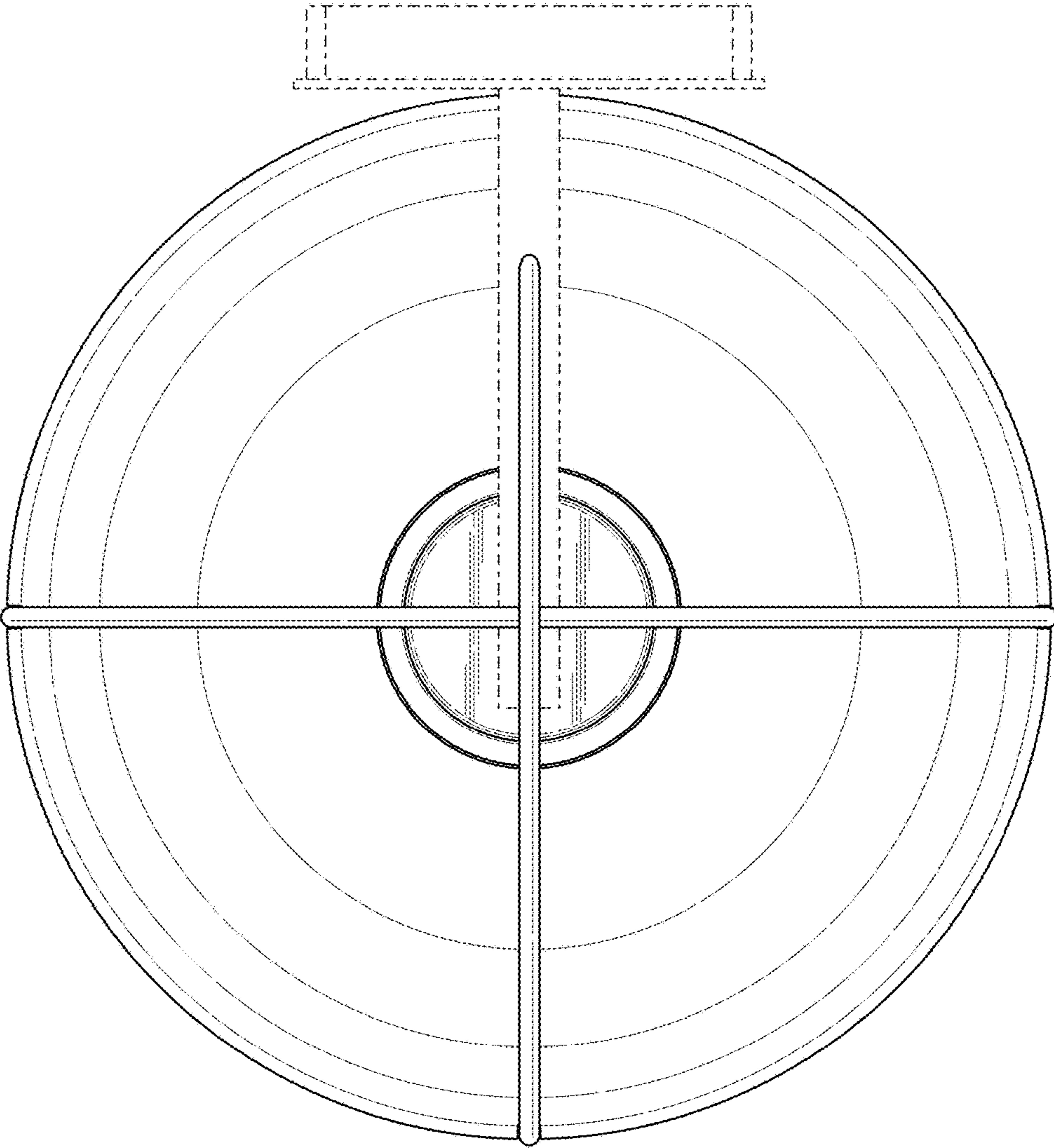


FIG. 6

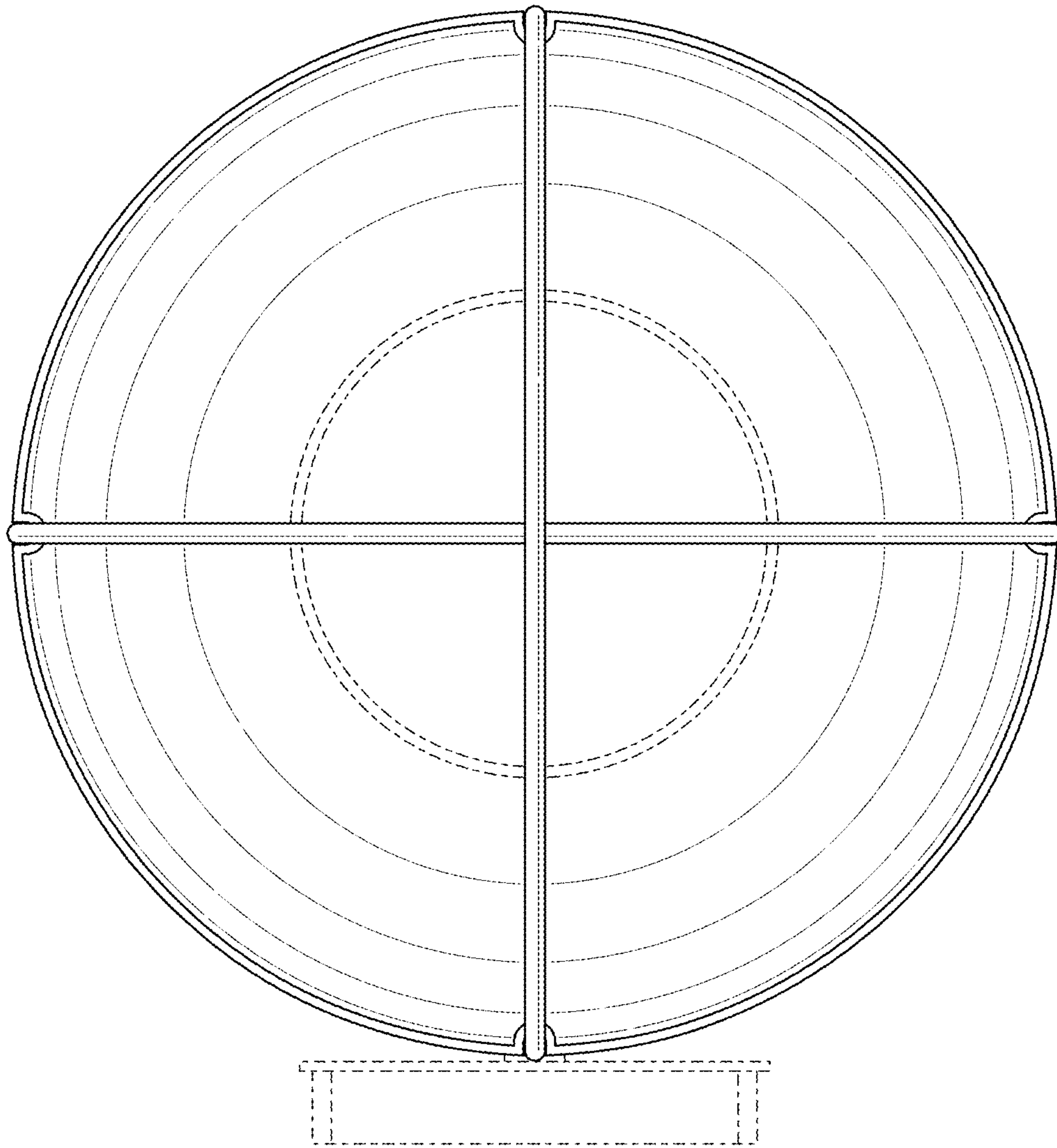


FIG. 7