



US00D782098S

(12) **United States Design Patent**
Orozco

(10) **Patent No.:** **US D782,098 S**

(45) **Date of Patent:** **** Mar. 21, 2017**

(54) **LIGHT FIXTURE**

(71) Applicant: **Quoizel, Inc.**, Goose Creek, SC (US)

(72) Inventor: **Sergio J Orozco**, West New York, NJ (US)

(73) Assignee: **Quoizel, Inc.**, Goose Creek, SC (US)

(**) Term: **15 Years**

(21) Appl. No.: **29/551,455**

(22) Filed: **Jan. 13, 2016**

(51) **LOC (10) Cl.** **26-03**

(52) **U.S. Cl.**
USPC **D26/85; D26/87**

(58) **Field of Classification Search**
USPC D26/72, 85, 86, 87, 118, 120, 141, 145, D26/155
CPC F21S 8/03; F21S 8/035; F21S 8/036; F21S 8/037; F21V 1/146; F21V 3/0409; F21V 7/043; F21V 7/05; F21V 7/06
See application file for complete search history.

(56) **References Cited**

U.S. PATENT DOCUMENTS

D67,334 S *	5/1925	Bell	D26/85
D159,422 S *	7/1950	Kushner	D26/87
D374,499 S *	10/1996	McDowell	D26/85
D427,355 S *	6/2000	Miranda	D26/87
D454,652 S *	3/2002	Crelin	D26/85
D478,683 S *	8/2003	Kuelbs	D26/72
D538,461 S *	3/2007	Broughton	D26/87
D574,534 S *	8/2008	Lastimosa	D26/67

D694,939 S *	12/2013	Dolan	D26/87
D713,087 S *	9/2014	Orozco	D26/85
D713,587 S *	9/2014	Clark	D26/85
D713,590 S *	9/2014	Orozco	D26/85
D722,719 S *	2/2015	Pyle	D26/85

* cited by examiner

Primary Examiner — Clare E Heflin

(74) *Attorney, Agent, or Firm* — Nelson Mullins Riley & Scarborough, LLP

(57) **CLAIM**

The ornamental design for a light fixture, as shown and described.

DESCRIPTION

FIG. 1 is a perspective view of a light fixture embodying the design of the present invention.

FIG. 2 is a front side elevational view of the light fixture illustrated in FIG. 1.

FIG. 3 is a back side elevational view of the light fixture illustrated in FIG. 1.

FIG. 4 is a right side elevational view of the light fixture illustrated in FIG. 1.

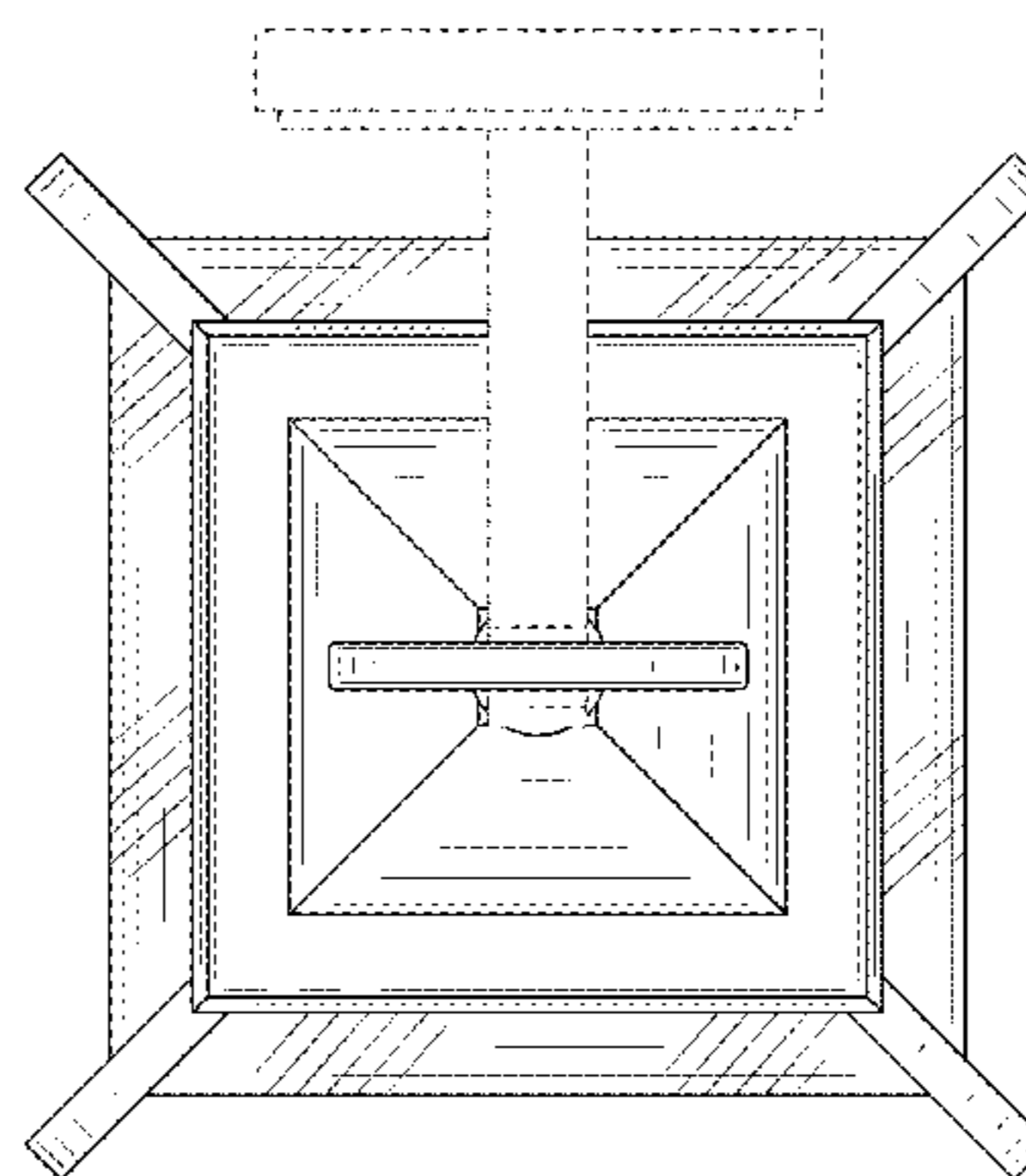
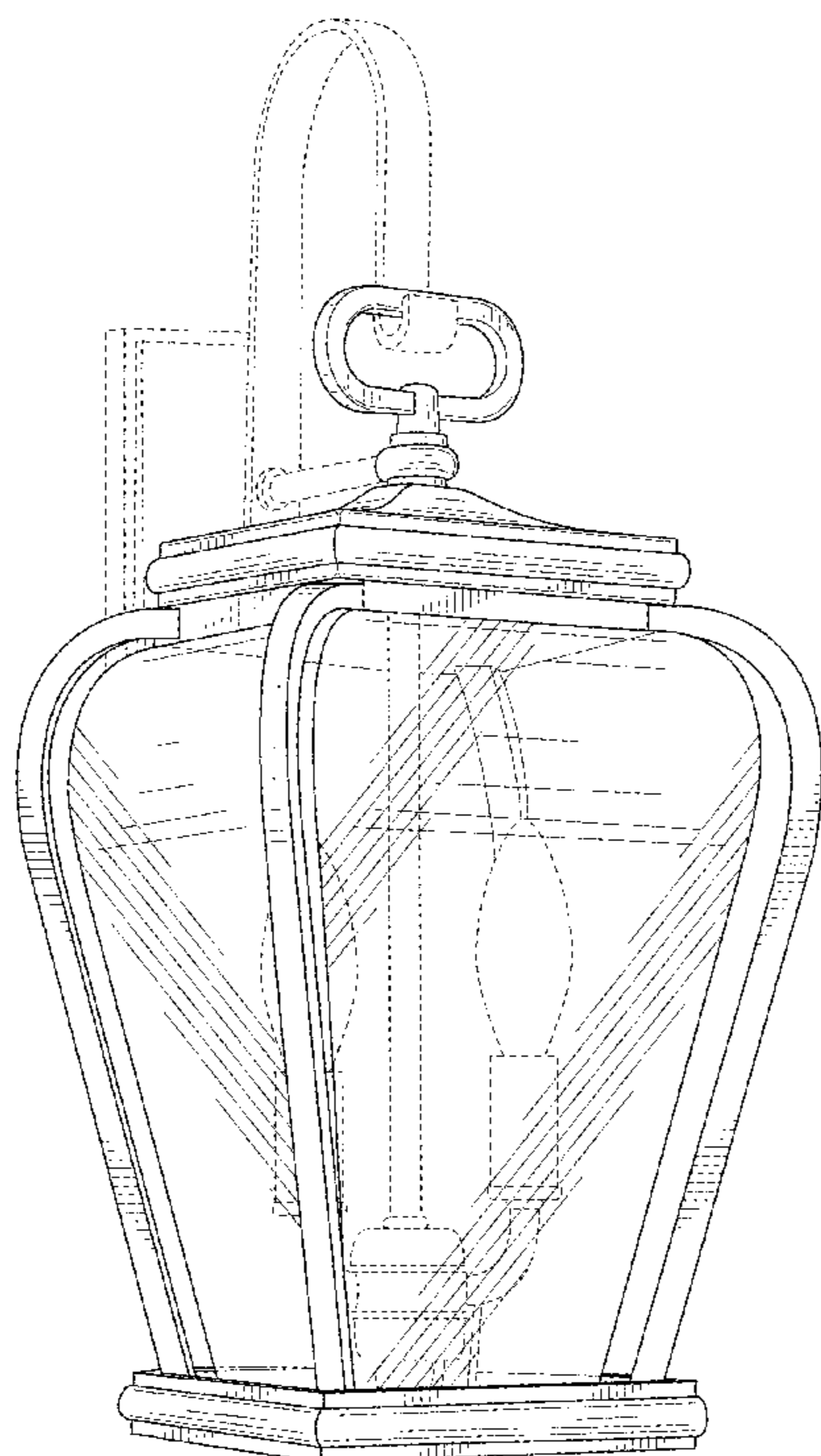
FIG. 5 is a left side elevational view of the light fixture illustrated in FIG. 1.

FIG. 6 is a top view of the light fixture illustrated in FIG. 1; and,

FIG. 7 is a bottom view of the light fixture illustrated in FIG. 1.

The portions shown in broken lines form no part of the claimed design.

1 Claim, 6 Drawing Sheets



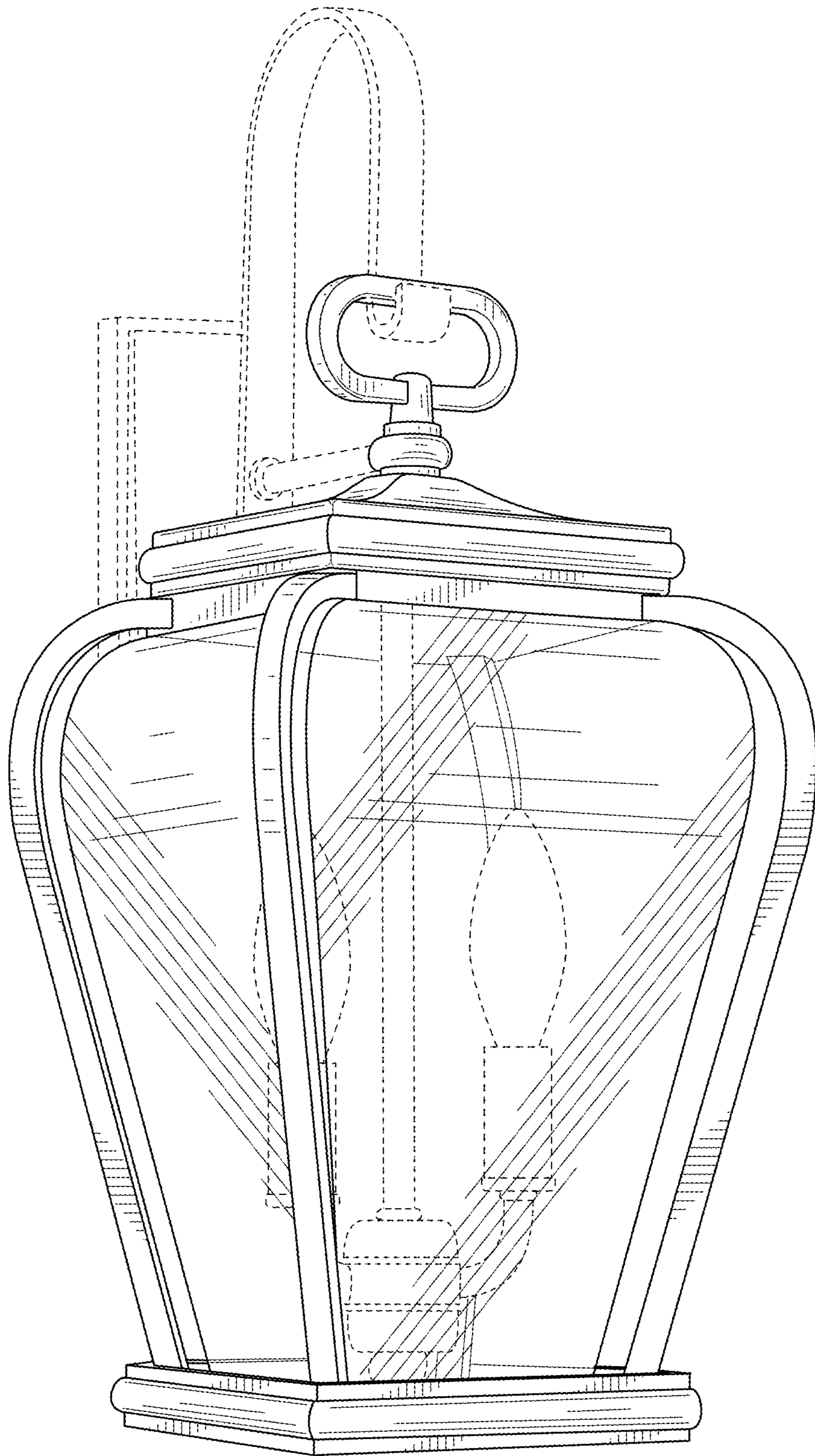


FIG. 1

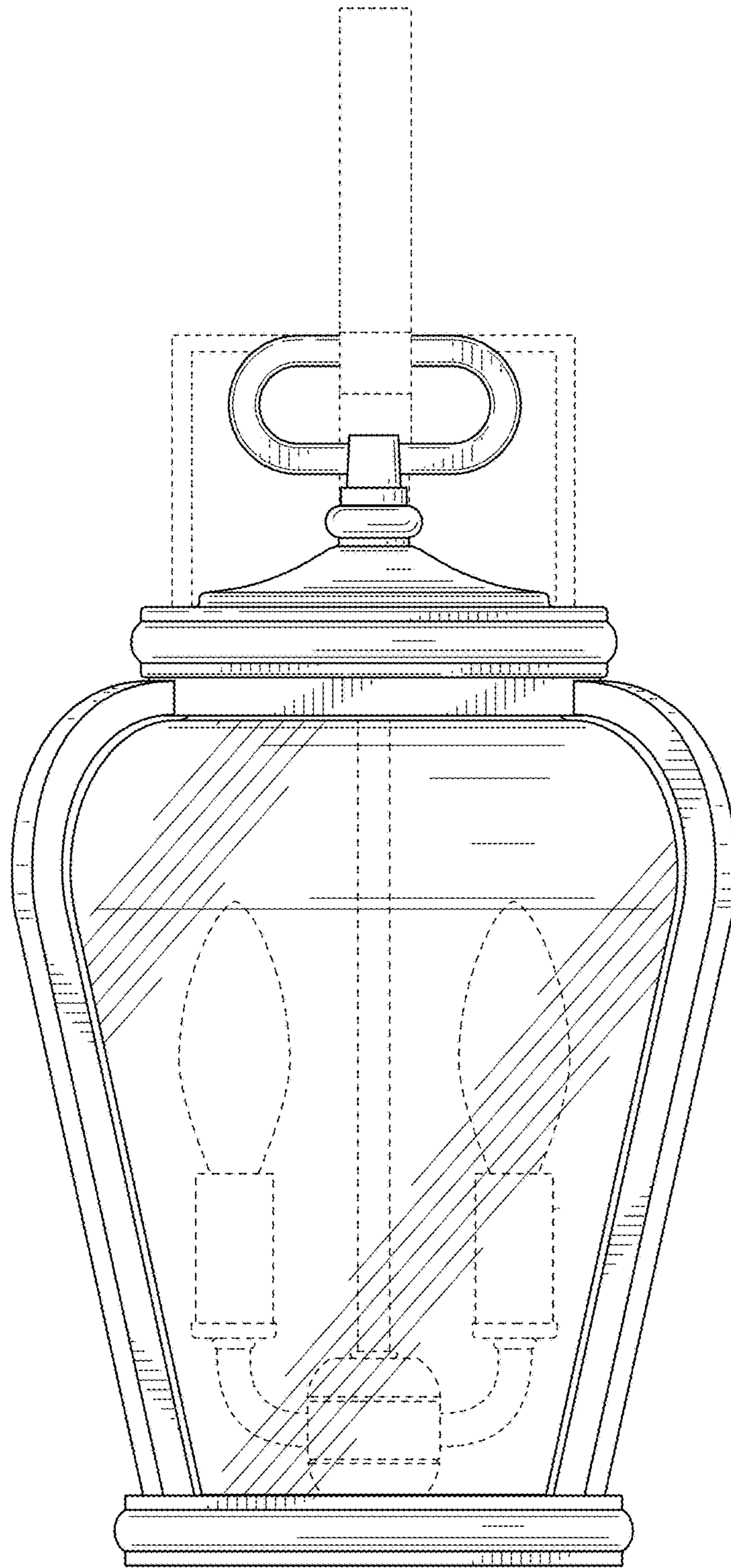


FIG. 2

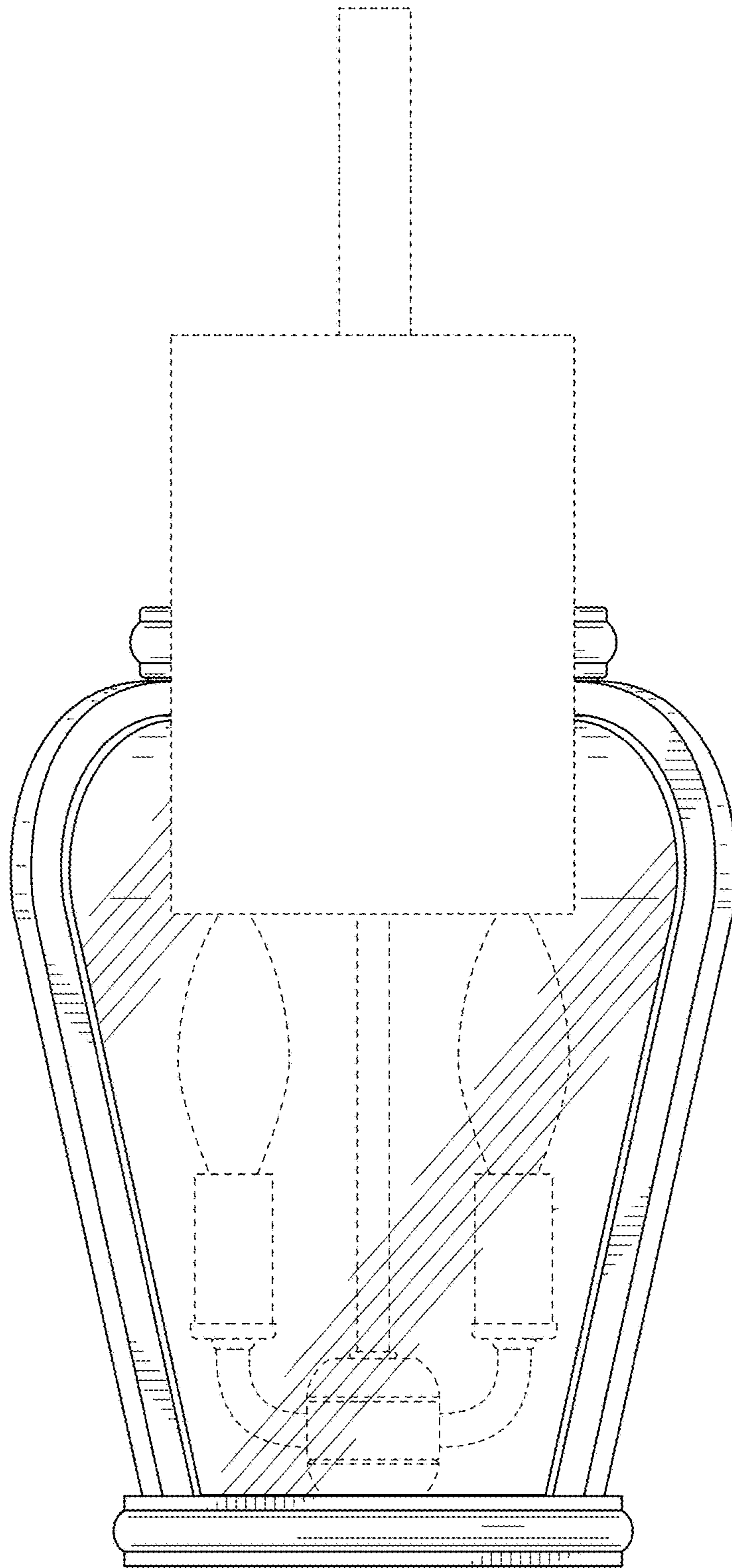


FIG. 3

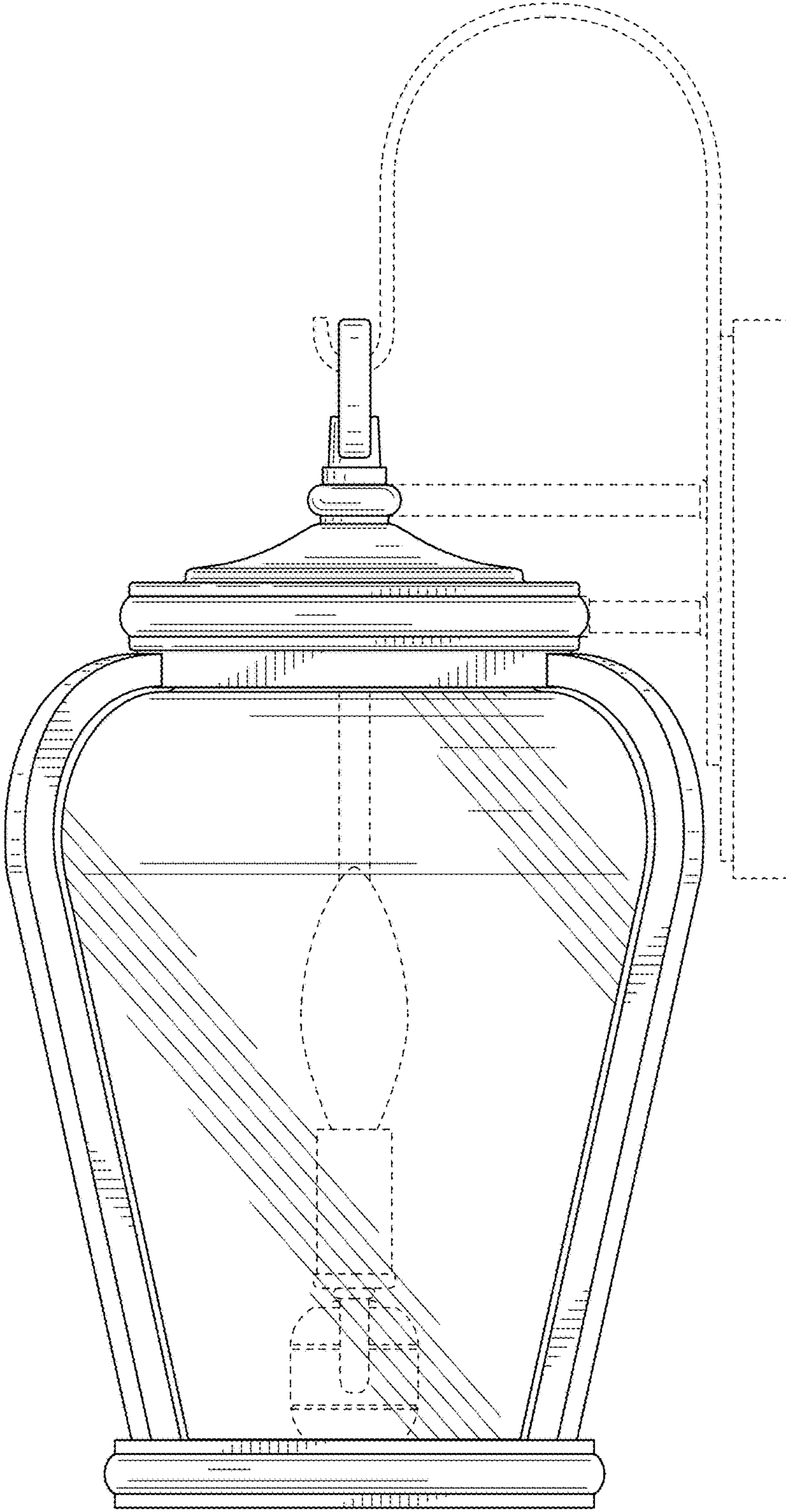


FIG. 4

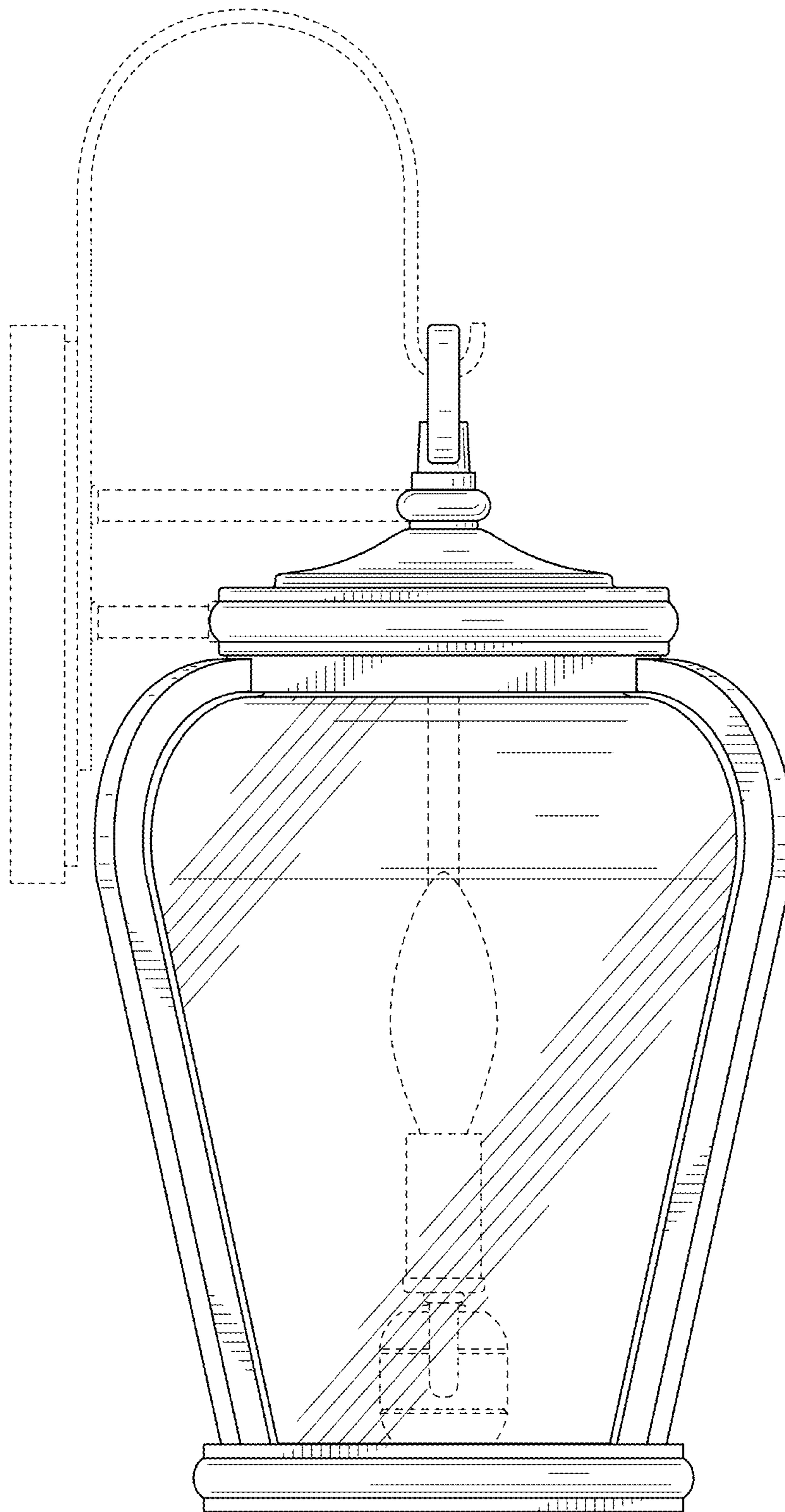


FIG. 5

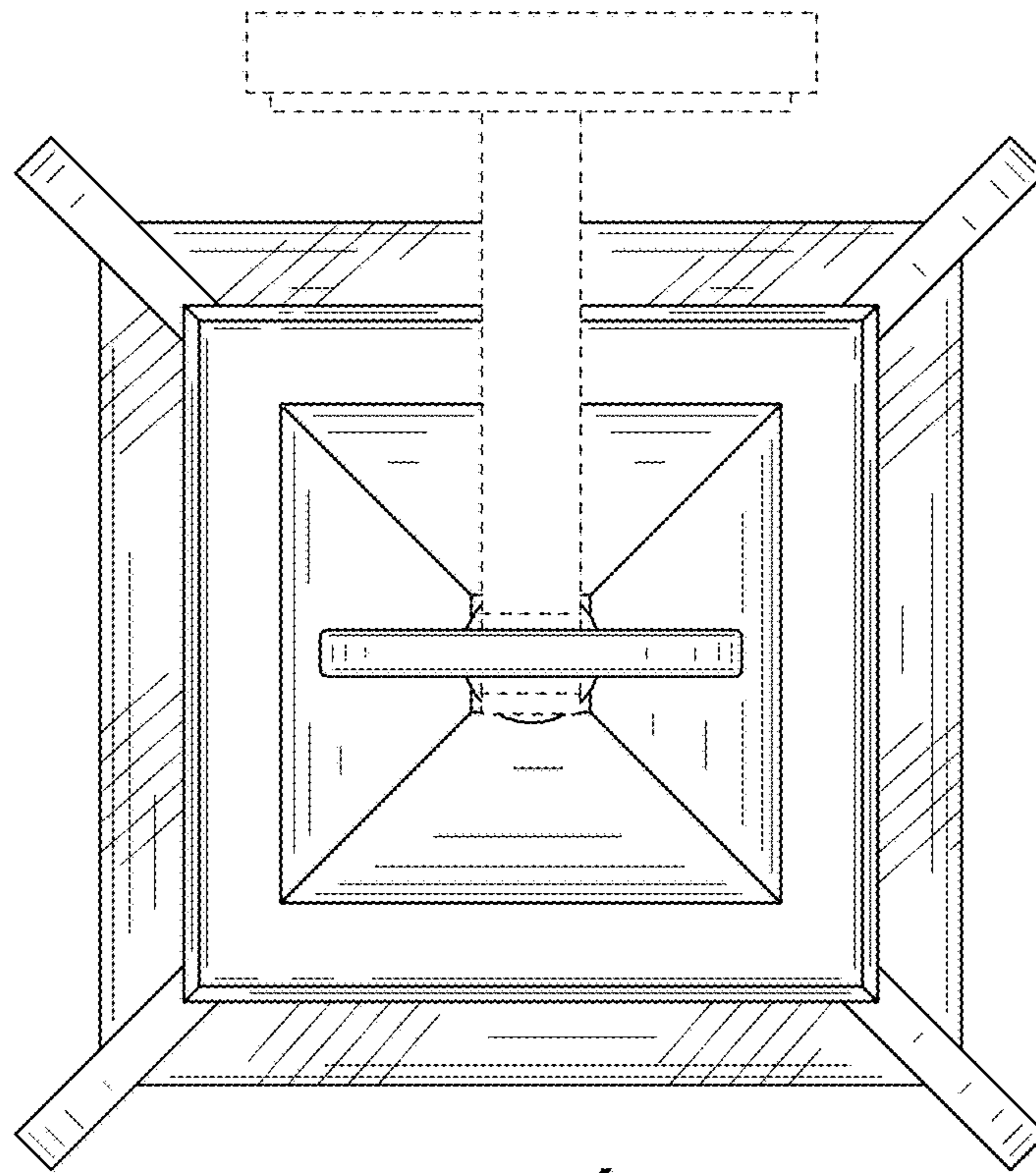


FIG. 6

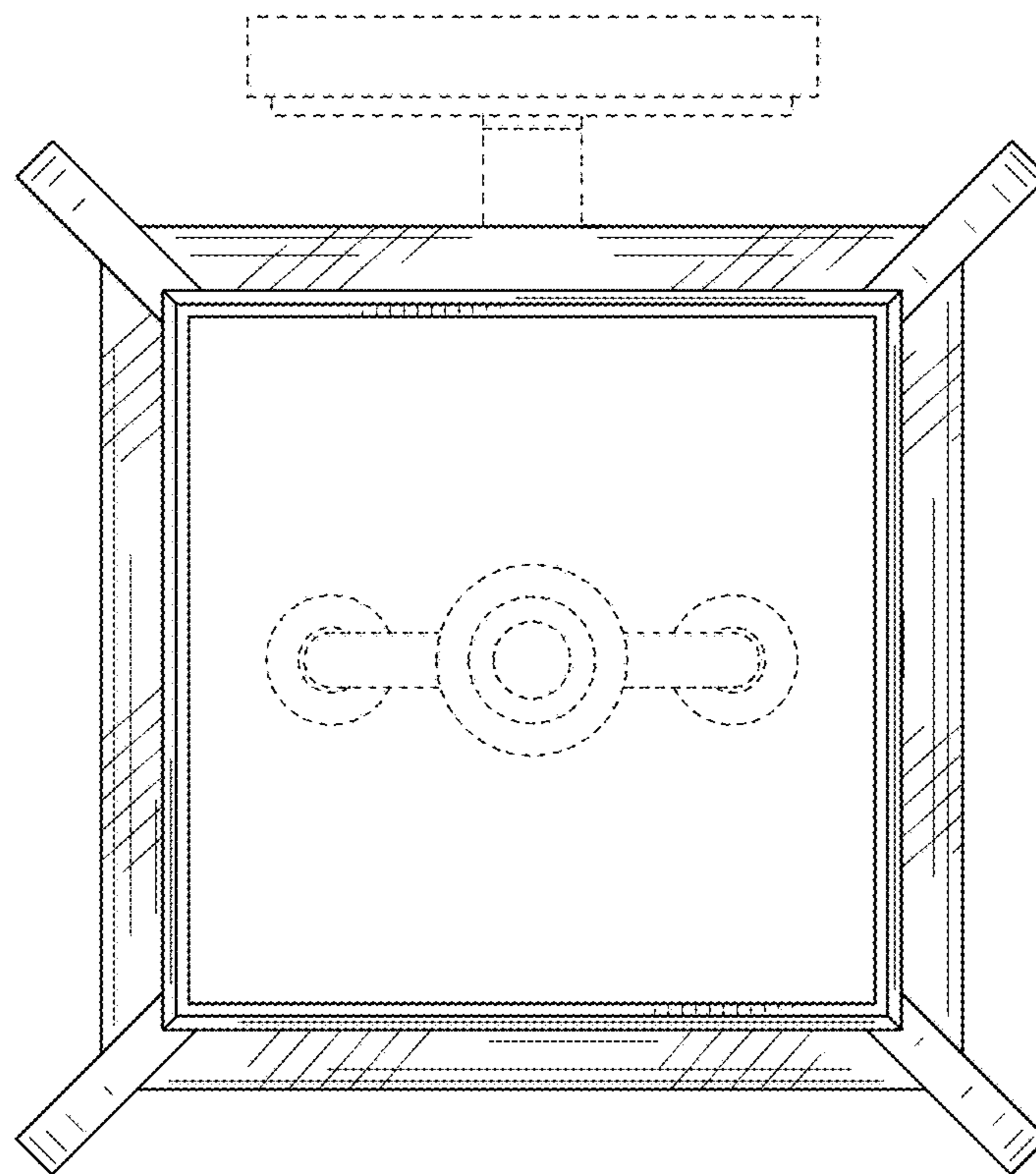


FIG. 7