



US00D782095S

(12) **United States Design Patent**  
**Fletcher**

(10) **Patent No.:** **US D782,095 S**  
(45) **Date of Patent:** **\*\* Mar. 21, 2017**

(54) **LED LUMINAIRE HAVING OPEN AND CLOSED POSITIONS**

(71) Applicant: **EcoSense Lighting Inc.**, Los Angeles, CA (US)

(72) Inventor: **Robert Fletcher**, Pasadena, CA (US)

(73) Assignee: **ECOSENSE LIGHTING INC.**, Los Angeles, CA (US)

(\*\*) Term: **14 Years**

(21) Appl. No.: **29/519,149**

(22) Filed: **Mar. 3, 2015**

(51) **LOC (10) Cl.** ..... **26-03**

(52) **U.S. Cl.**  
USPC ..... **D26/76**

(58) **Field of Classification Search**  
USPC ..... D26/1, 24, 76  
CPC ..... F21S 8/00; F21S 8/04; F21S 8/043; F21S 8/046; F21S 8/065; F24S 13/02; F24S 13/04; F24S 13/06

See application file for complete search history.

(56) **References Cited**

**U.S. PATENT DOCUMENTS**

2,678,380 A 5/1954 Westby  
D250,289 S \* 11/1978 Dacal ..... D26/24  
D280,025 S \* 8/1985 Waters ..... D26/24  
D308,114 S 5/1990 Shemitz

(Continued)

**OTHER PUBLICATIONS**

Fletcher et al., U.S. Appl. No. 29/519,153, filed Mar. 3, 2015, entitled "LED Luminaire," 8pp.

(Continued)

*Primary Examiner* — Brian N Vinson

(74) *Attorney, Agent, or Firm* — Jay M. Brown

(57) **CLAIM**

The ornamental design for a LED luminaire having open and closed positions, as shown and described.

**DESCRIPTION**

FIG. 1 is a bottom view, in an open position, of the LED luminaire having open and closed positions of the present invention, wherein the elements that are shown in broken lines are disclaimed;

FIG. 2 is a front perspective view, in a closed position, of the design of the present invention;

FIG. 3 is a back perspective view, in the closed position, of the design of the present invention, wherein the elements that are shown in broken lines are disclaimed;

FIG. 4 is a top view, in the closed position, of the design of the present invention;

FIG. 5 is a bottom view, in the closed position, of the design of the present invention, wherein the elements that are shown in broken lines are disclaimed;

FIG. 6 is a front side elevation view, in the closed position, of the design of the present invention;

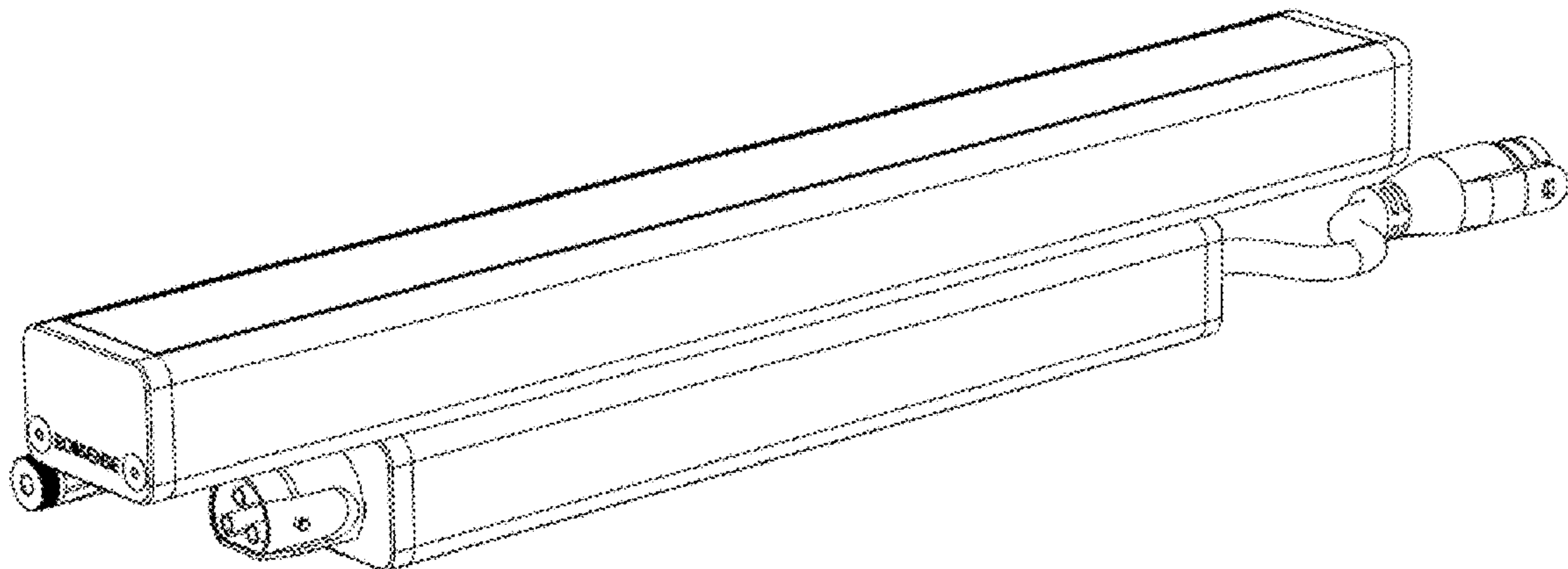
FIG. 7 is a back side elevation view, in the closed position, of the design of the present invention, wherein the elements that are shown in broken lines are disclaimed;

FIG. 8 is a left end elevation view, in the closed position, of the design of the present invention, wherein the elements that are shown in broken lines are disclaimed; and,

FIG. 9 is a right end elevation view, in the closed position, of the design of the present invention.

The details shown in broken lines are for illustrative purposes only and form no part of the claimed design.

**1 Claim, 6 Drawing Sheets**



(56)

References Cited

U.S. PATENT DOCUMENTS

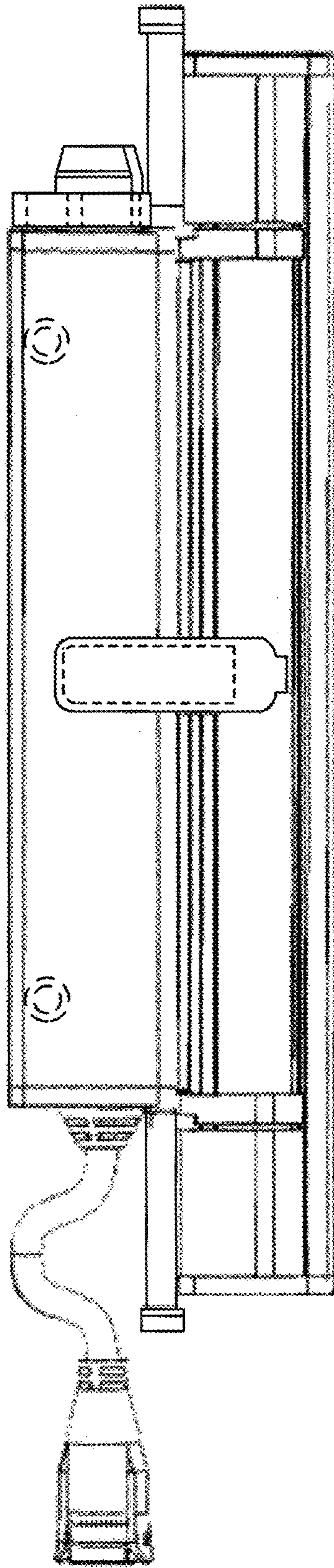
D308,260 S 5/1990 Shemitz  
 D316,306 S 4/1991 Shemitz  
 D384,762 S \* 10/1997 Roorda ..... D26/24  
 D390,992 S 2/1998 Shemitz  
 D445,936 S 7/2001 Mier-Langner  
 D472,339 S 3/2003 Russello  
 D491,306 S 6/2004 Zucker  
 D527,131 S 8/2006 McCarthy, III  
 D535,774 S 1/2007 Weston  
 D563,013 S 2/2008 Levine  
 D581,080 S 11/2008 Mier-Langner  
 D587,389 S 2/2009 Benensohn  
 D604,870 S \* 11/2009 Hong ..... D26/24  
 D608,043 S 1/2010 Ko  
 D625,870 S 10/2010 Feigenbaum  
 7,810,955 B2 10/2010 Stimac  
 D633,244 S 2/2011 Kramer  
 8,002,438 B2 8/2011 Ko  
 D650,504 S 12/2011 Kim  
 D650,935 S 12/2011 Beghelli

D654,607 S 2/2012 Kim  
 D655,432 S 3/2012 Beghelli  
 8,142,047 B2 3/2012 Acampora  
 8,297,792 B1 10/2012 Wang  
 D693,514 S \* 11/2013 Mueller ..... D26/76  
 D704,369 S 5/2014 Lindsley  
 D715,466 S \* 10/2014 Wang ..... D26/24  
 8,876,322 B2 11/2014 Alexander  
 9,157,622 B2 10/2015 Yanping  
 D764,092 S \* 8/2016 Cai ..... D26/76  
 2013/0094225 A1 4/2013 Leichner

OTHER PUBLICATIONS

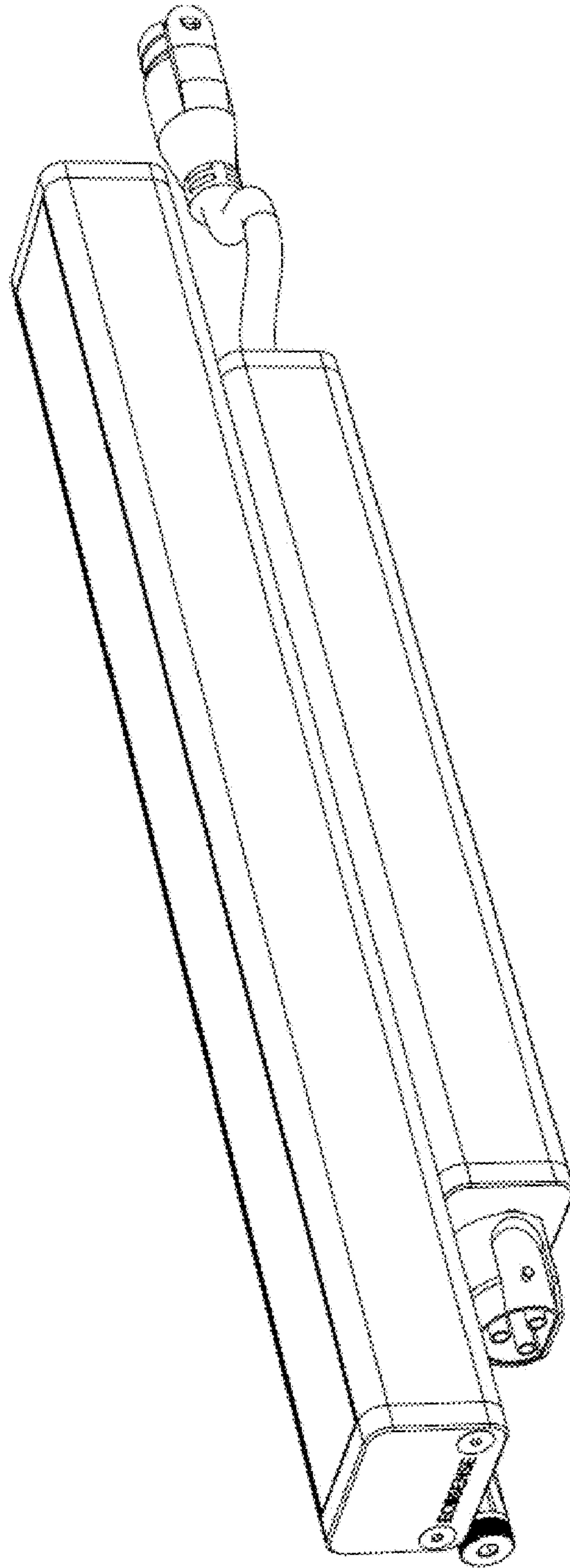
Pickard et al., U.S. Appl. 14/636,205, filed Mar. 3, 2015, entitled  
 "Low-Profile Lighting System Having Pivotal Lighting Enclo-  
 sure," 56pp.  
 PCT/US2016/020523, Ecosense Lighting Inc., Filed on Mar. 2,  
 2016, 49pp.  
 PCT/US2016/020523, Ecosense Lighting Inc., International Search  
 Report and Opinion Dated May 6, 2016, 9pp.

\* cited by examiner

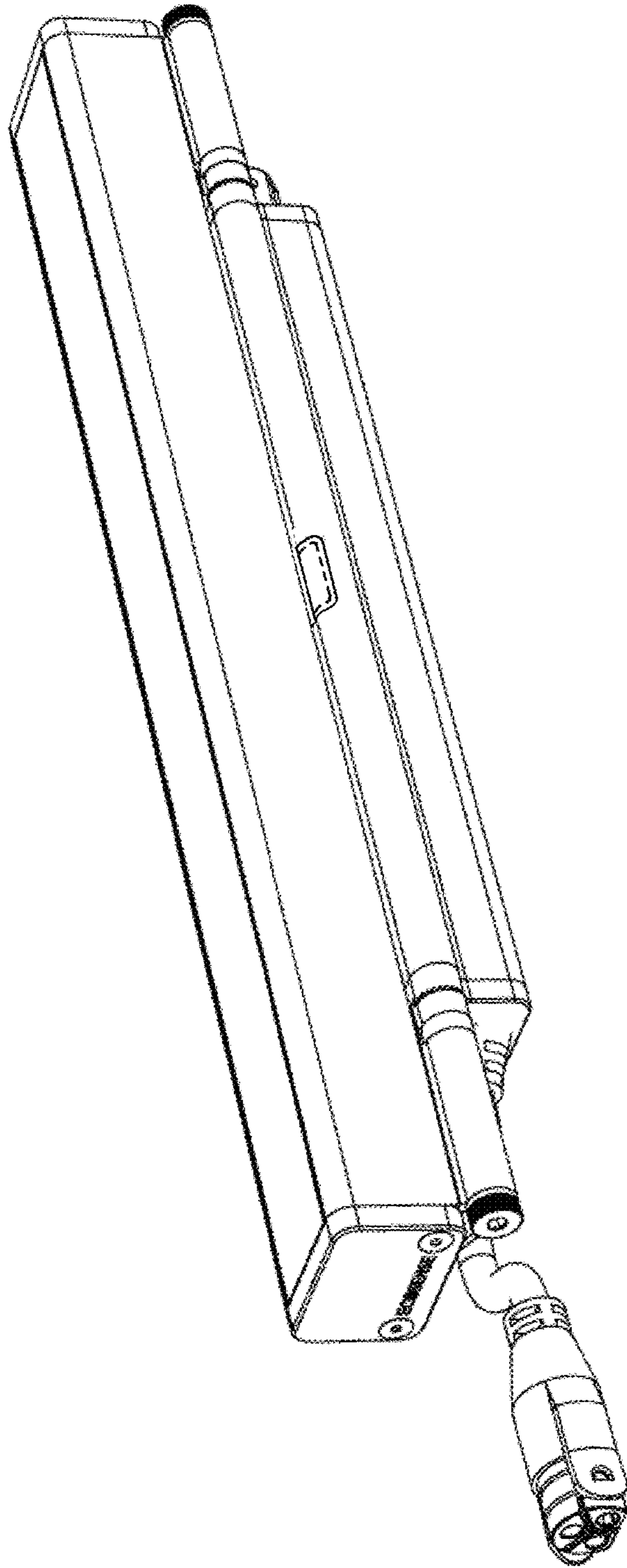


**FIG. 1**

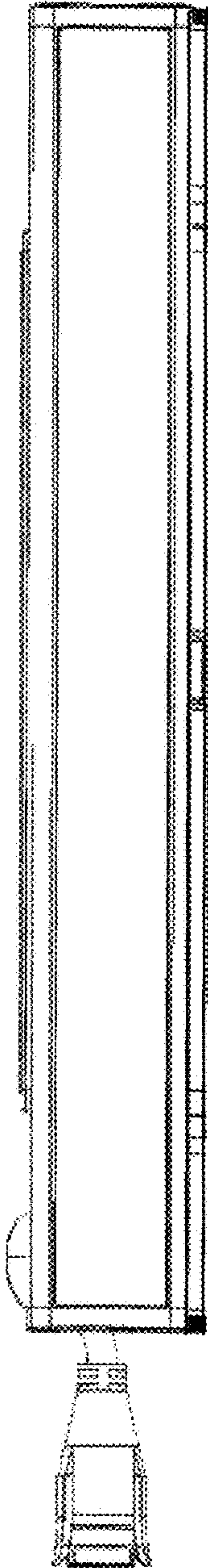




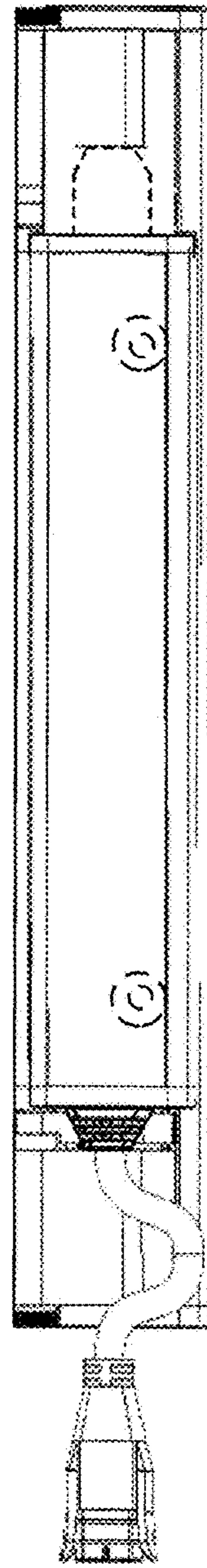
**FIG. 2**



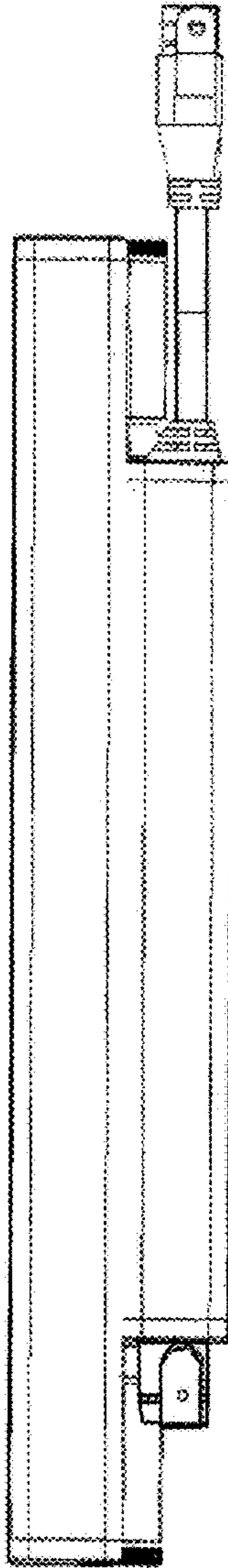
**FIG. 3**



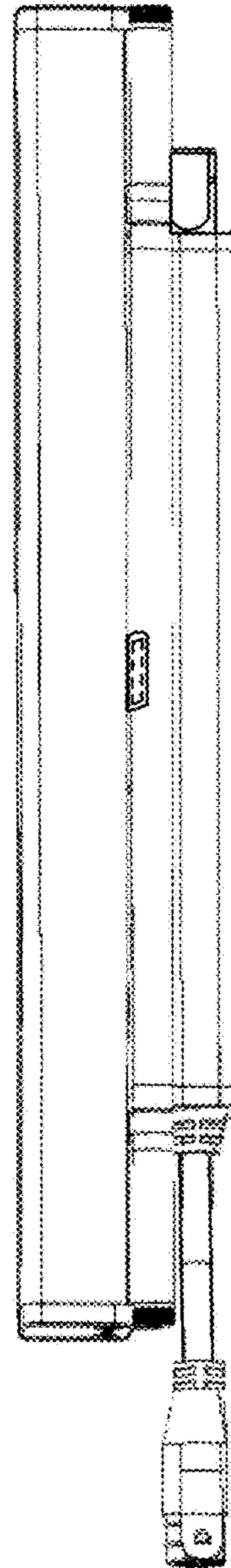
*FIG. 4*



*FIG. 5*

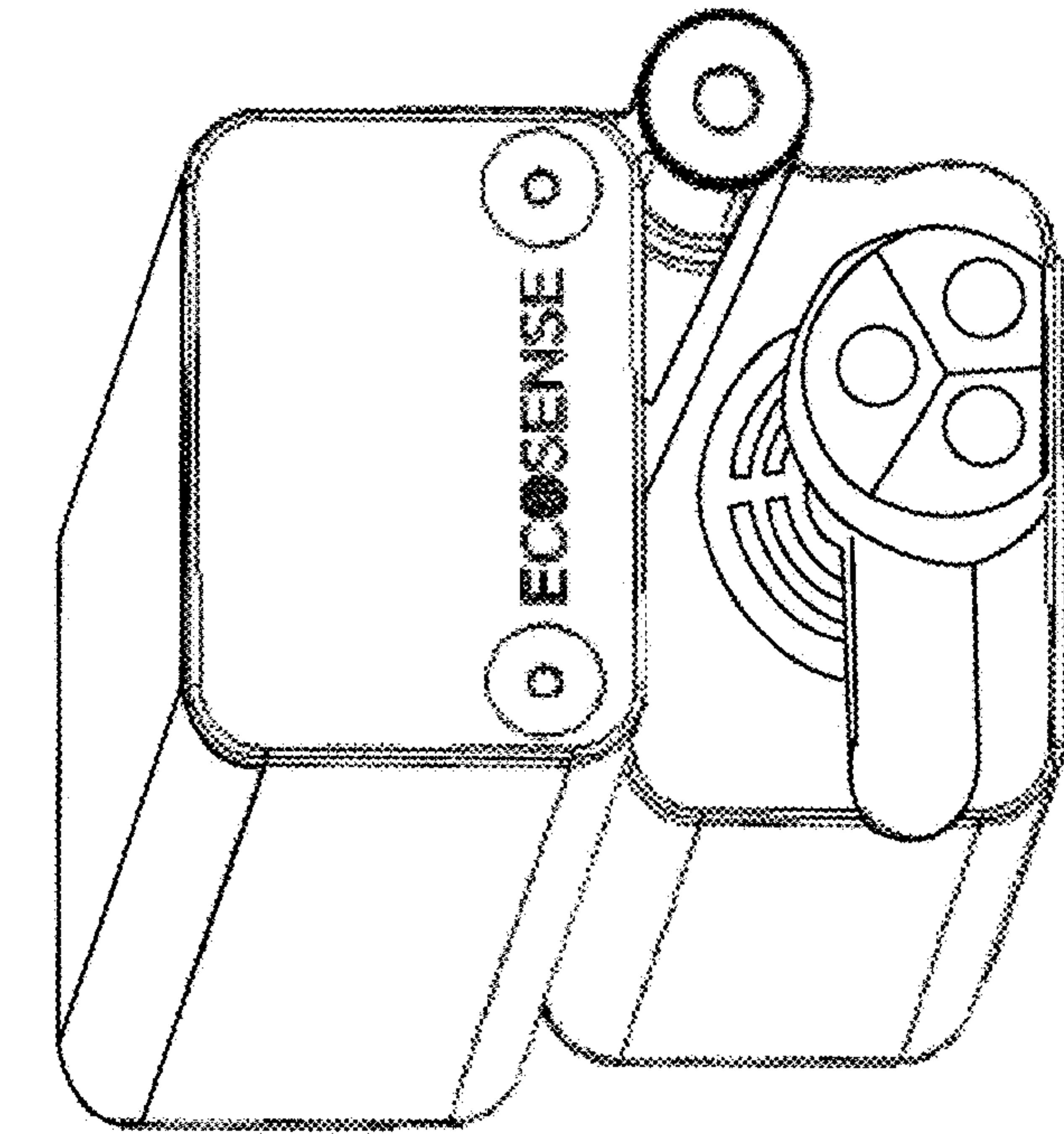


*FIG. 6*

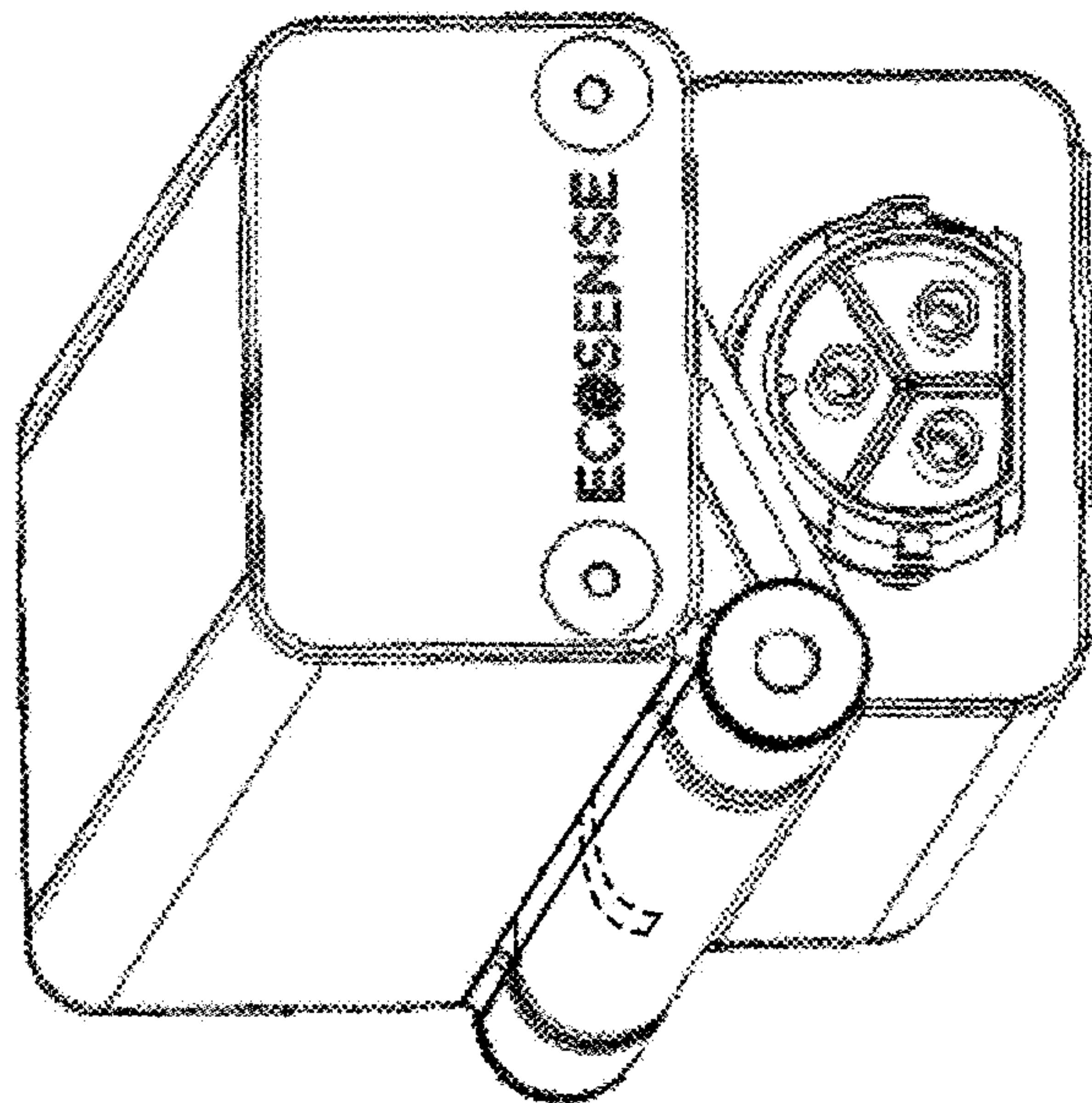


*FIG. 7*





**FIG. 9**



**FIG. 8**