



US00D782092S

(12) **United States Design Patent**
Heiner

(10) **Patent No.:** **US D782,092 S**

(45) **Date of Patent:** **** Mar. 21, 2017**

(54) **LIGHT FIXTURE**

(71) Applicant: **JST Performance, LLC**, Gilbert, AZ
(US)

(72) Inventor: **Johnathan J. Heiner**, Mesa, AZ (US)

(73) Assignee: **JST Performance, LLC**, Gilbert, AZ
(US)

(**) Term: **15 Years**

(21) Appl. No.: **29/533,855**

(22) Filed: **Jul. 22, 2015**

(51) **LOC (10) Cl.** **26-03**

(52) **U.S. Cl.**
USPC **D26/63**

(58) **Field of Classification Search**
USPC . D26/24, 26, 28, 29, 34, 37, 38, 43, 44, 51,
D26/59, 60, 61, 63, 66, 67, 68, 72, 74,
D26/76,
D26/85, 86, 88, 89, 91, 113, 118, 119,
D26/120, 122-124, 138, 140-146
CPC F21V 29/02; F21V 29/2212; F21V 7/0005;
F21V 21/04; F21V 21/14
See application file for complete search history.

(56) **References Cited**

U.S. PATENT DOCUMENTS

D190,922 S * 7/1961 Anthony D26/24
4,027,151 A * 5/1977 Barthel F21V 7/005
359/867

D672,908 S * 12/2012 Wilcox D26/118
D708,778 S * 7/2014 Sibitzky D26/118
D717,483 S * 11/2014 Barnes D26/72
D734,532 S * 7/2015 Gordin D26/118

* cited by examiner

Primary Examiner — Brian N Vinson

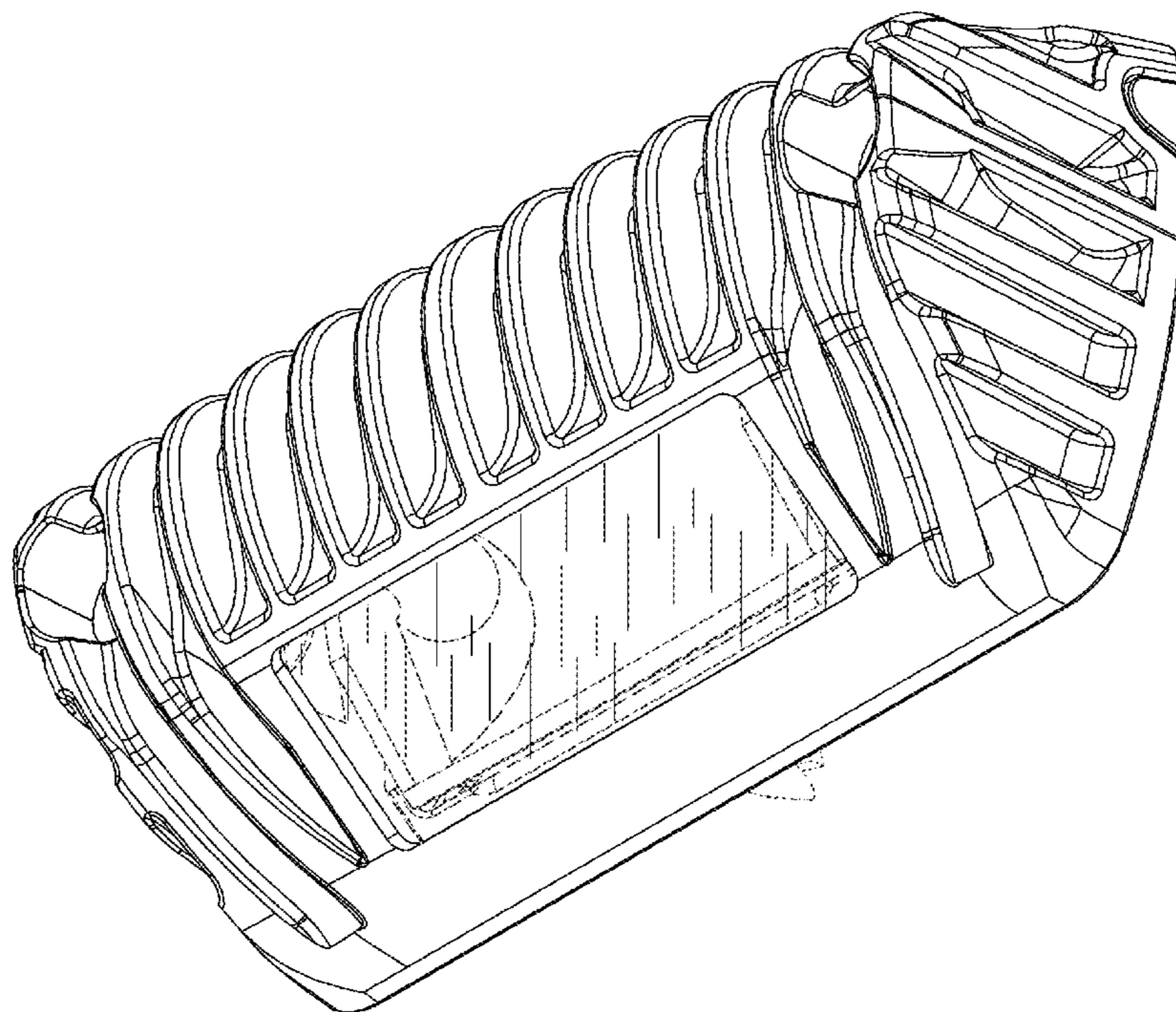
(57) **CLAIM**

The ornamental design for a light fixture, as shown and described.

DESCRIPTION

FIG. 1 is a front, right, top perspective view of a light fixture showing my new design;
FIG. 2 is a front, left, top perspective view thereof;
FIG. 3 is a front, right, bottom perspective view thereof;
FIG. 4 is a front, left, bottom perspective view thereof;
FIG. 5 is a back, right, top perspective view thereof;
FIG. 6 is a back, left, top perspective view thereof;
FIG. 7 is a back, right, bottom perspective view thereof;
FIG. 8 is a back, left, bottom perspective view thereof;
FIG. 9 is a front side view thereof;
FIG. 10 is a back side view thereof;
FIG. 11 is a left side view thereof;
FIG. 12 is a right side view thereof;
FIG. 13 is a top view thereof; and,
FIG. 14 is a bottom view thereof.
The broken lines represent portions of the light fixture which form no part of the claimed design.

1 Claim, 14 Drawing Sheets



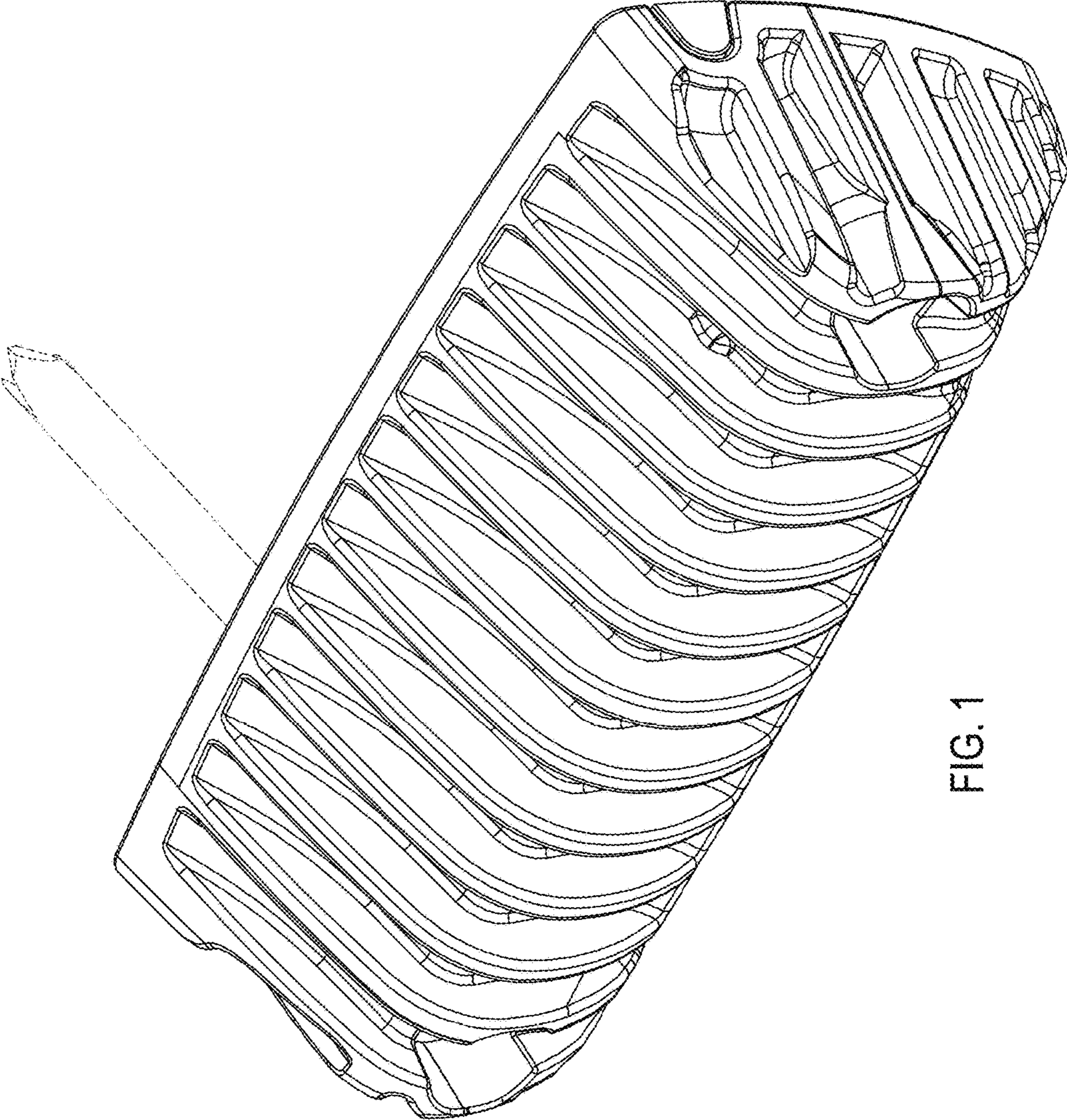


FIG. 1

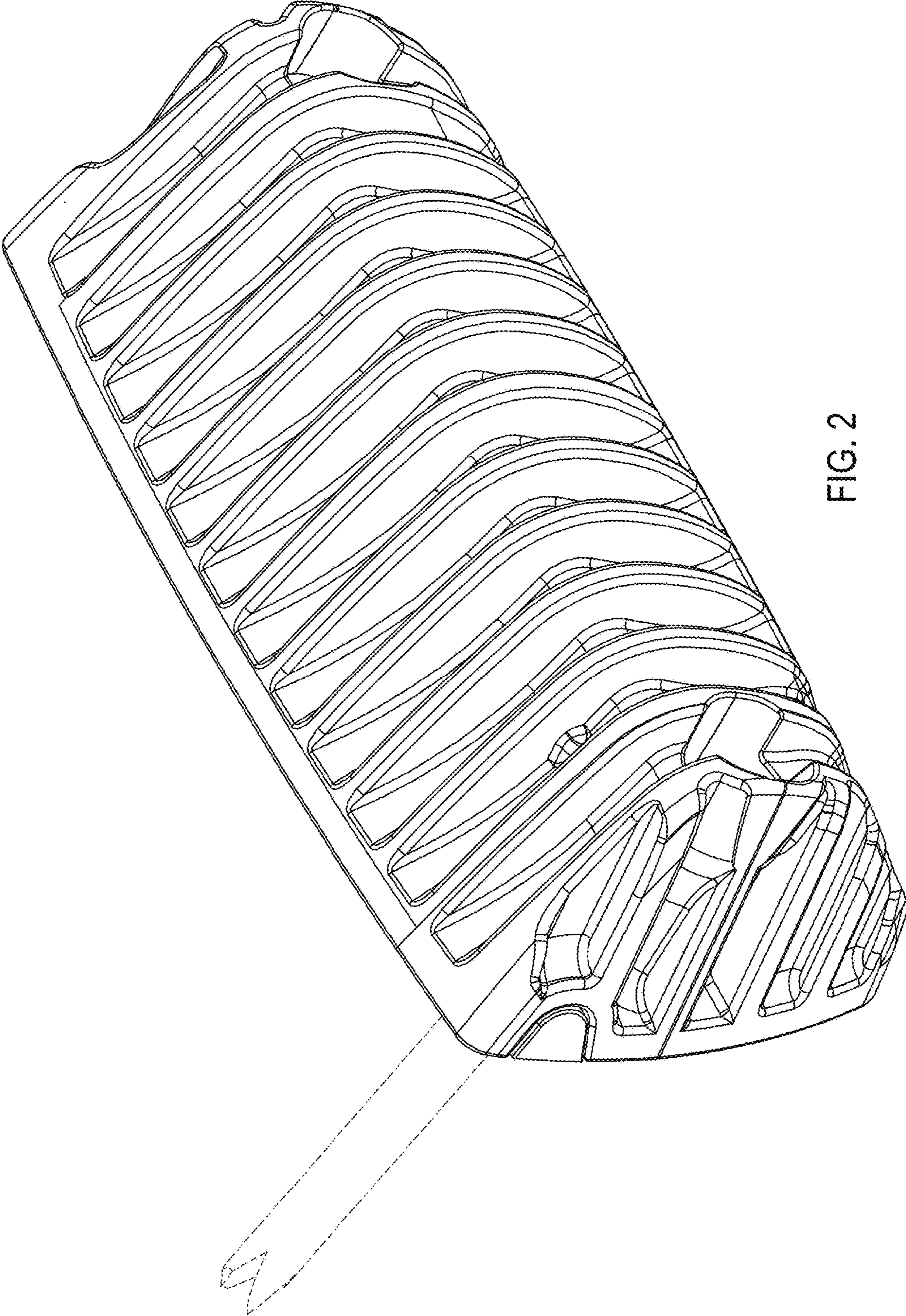


FIG. 2

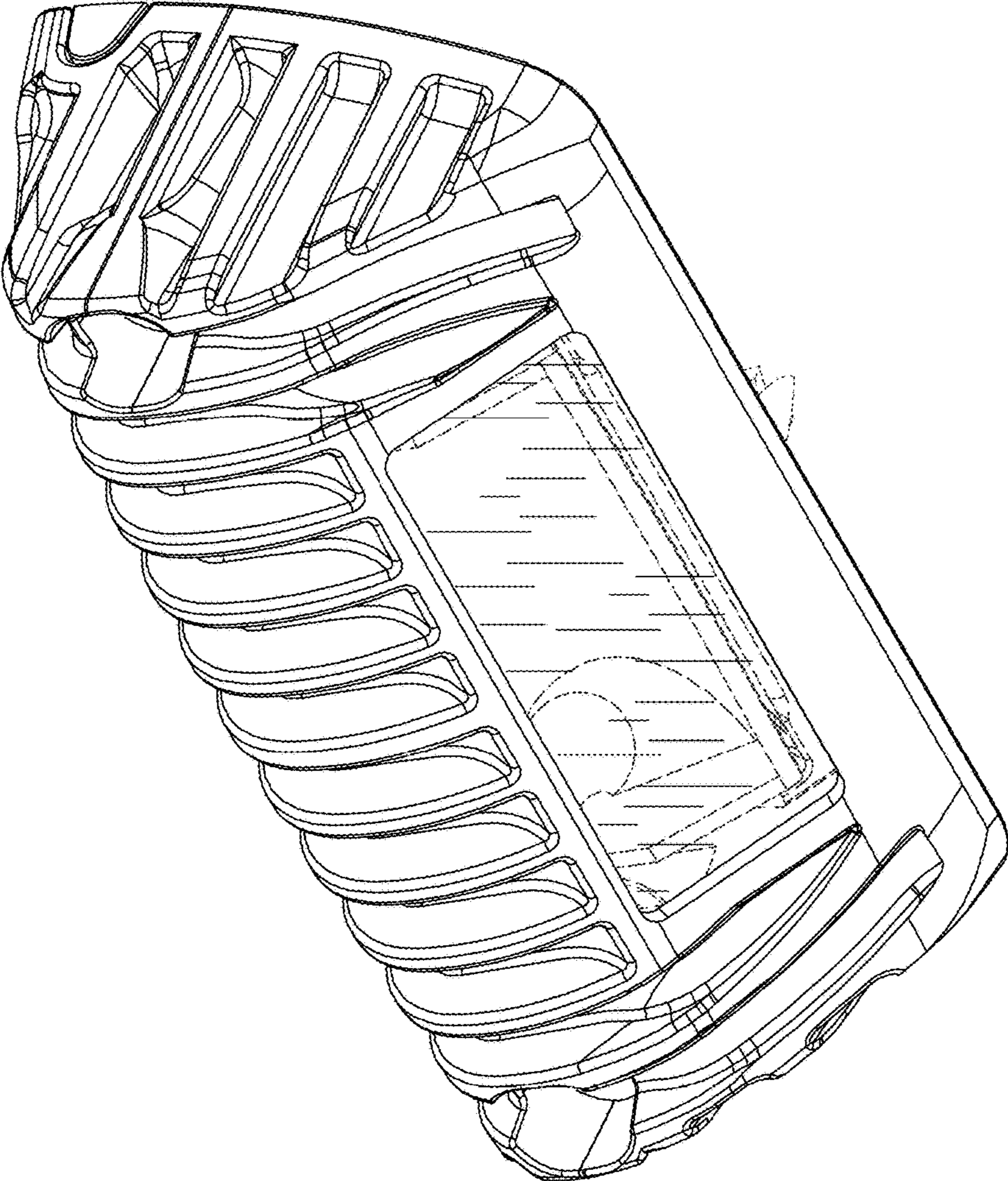


FIG. 3

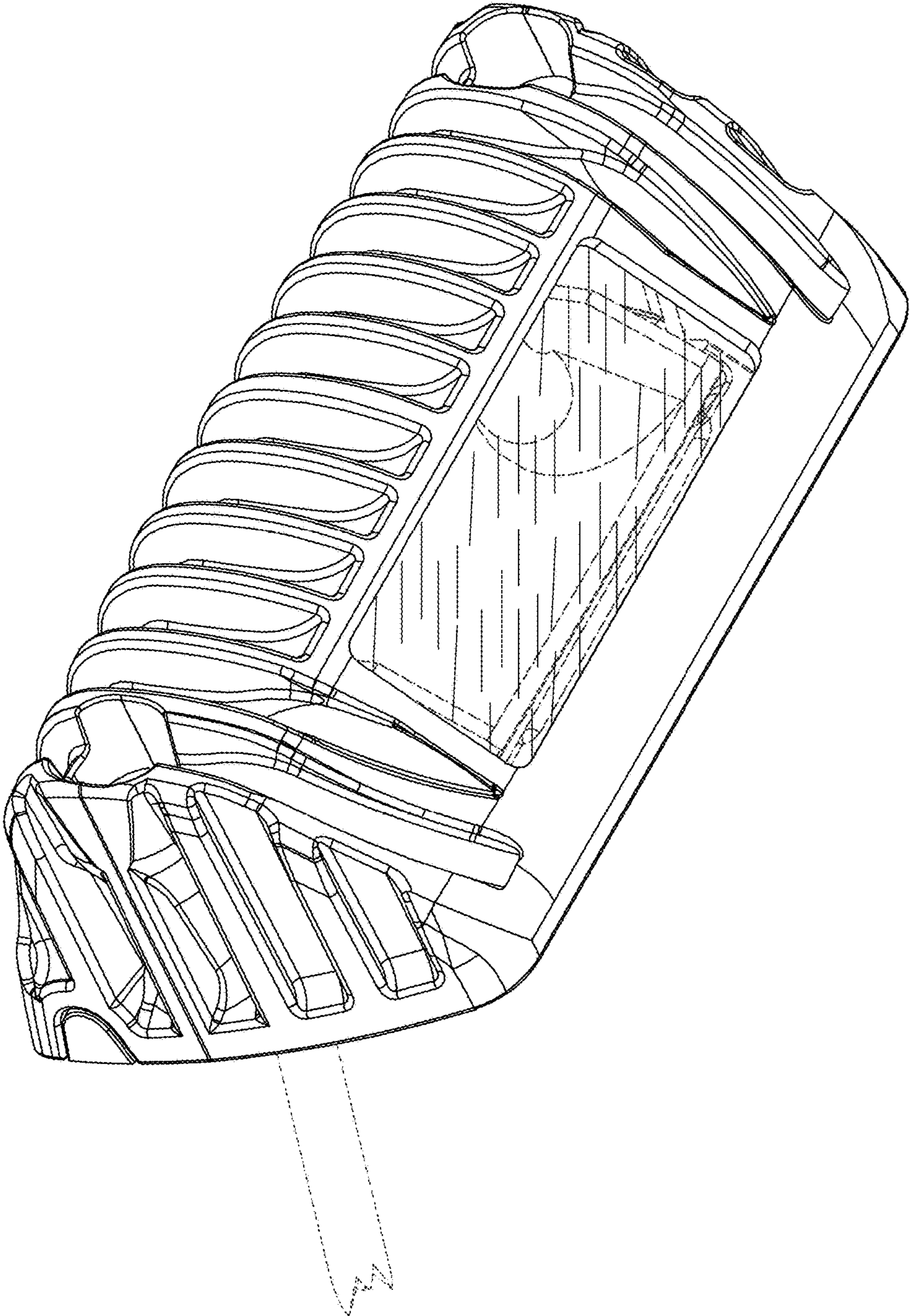


FIG. 4

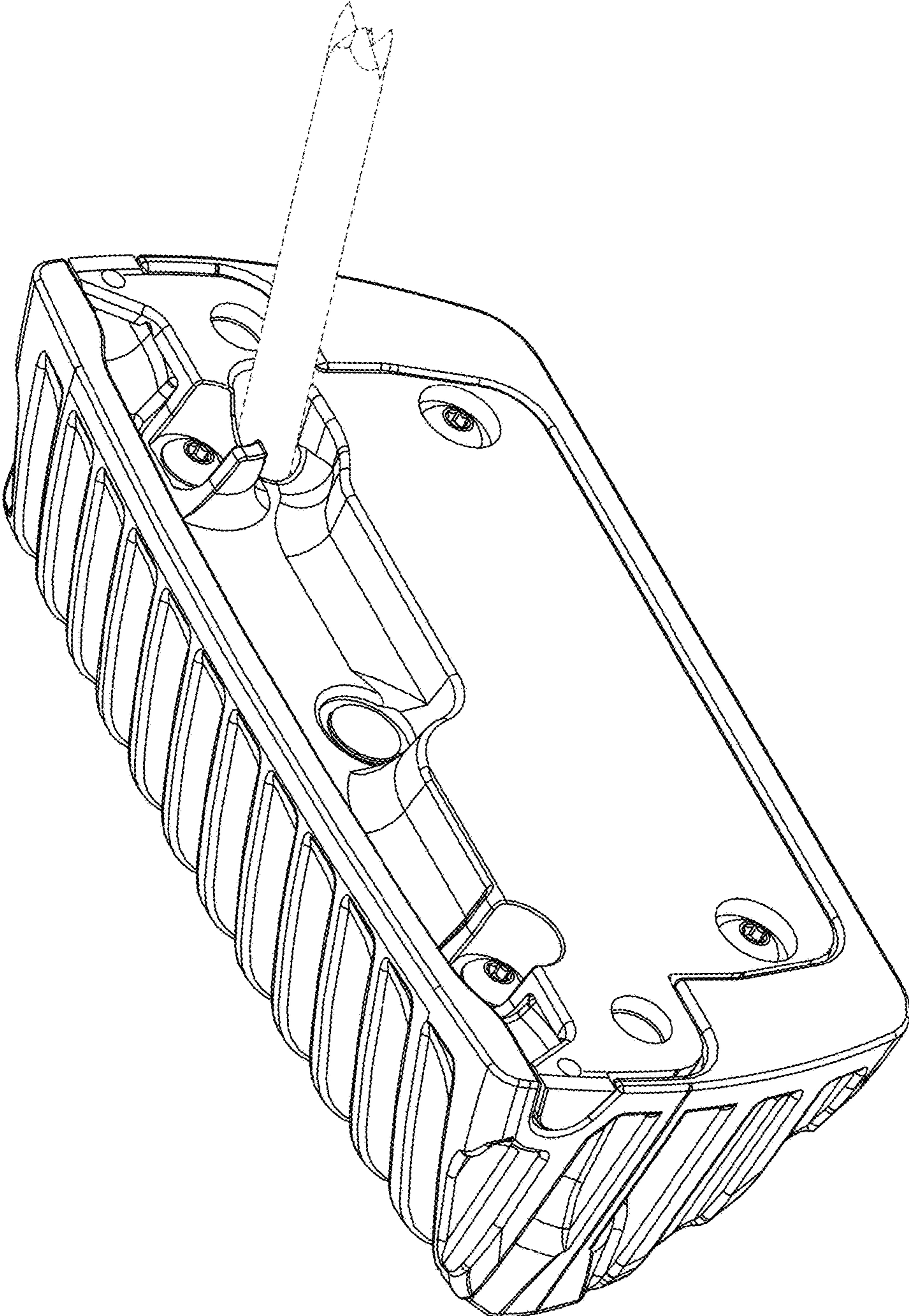


FIG. 5

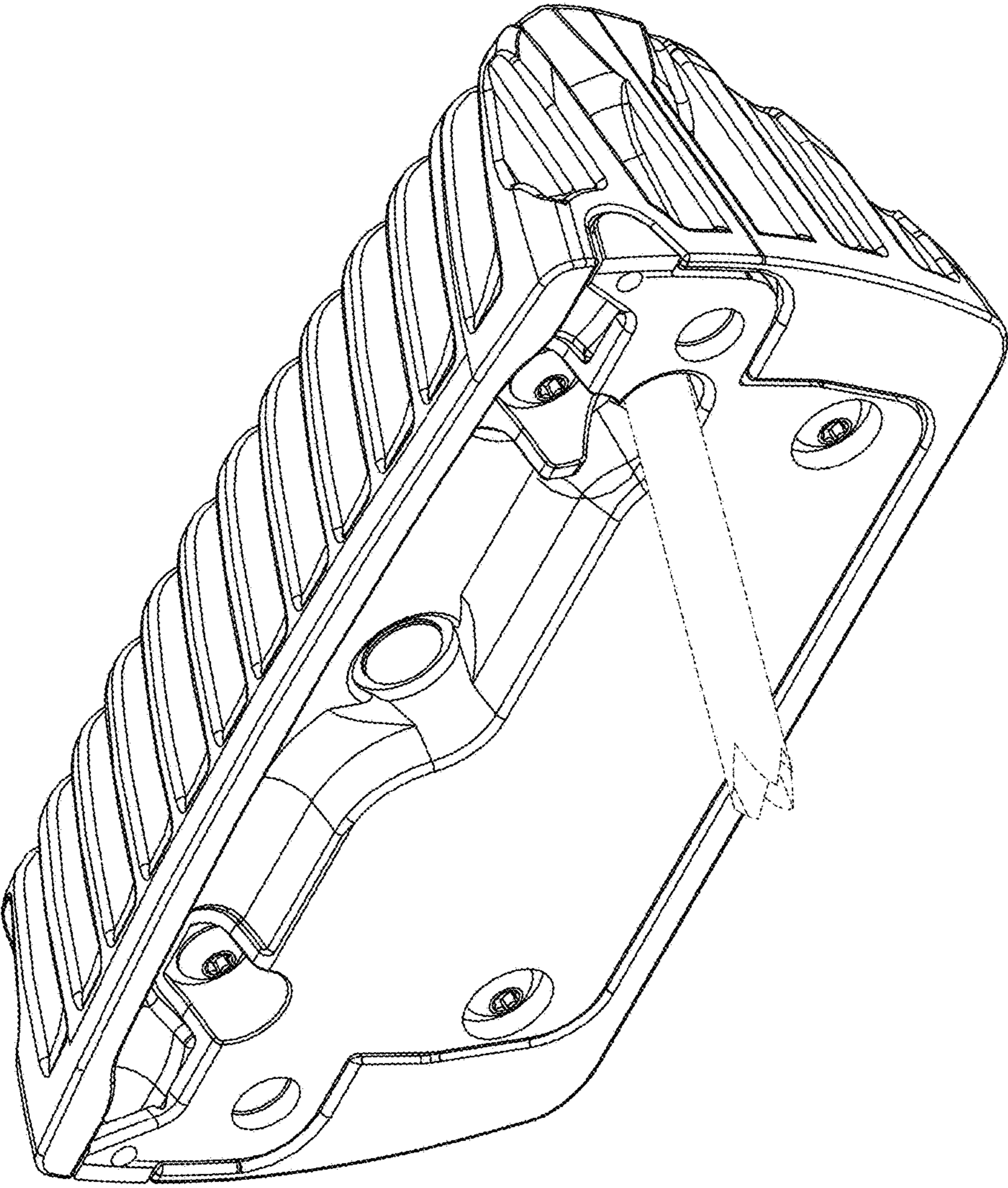


FIG. 6

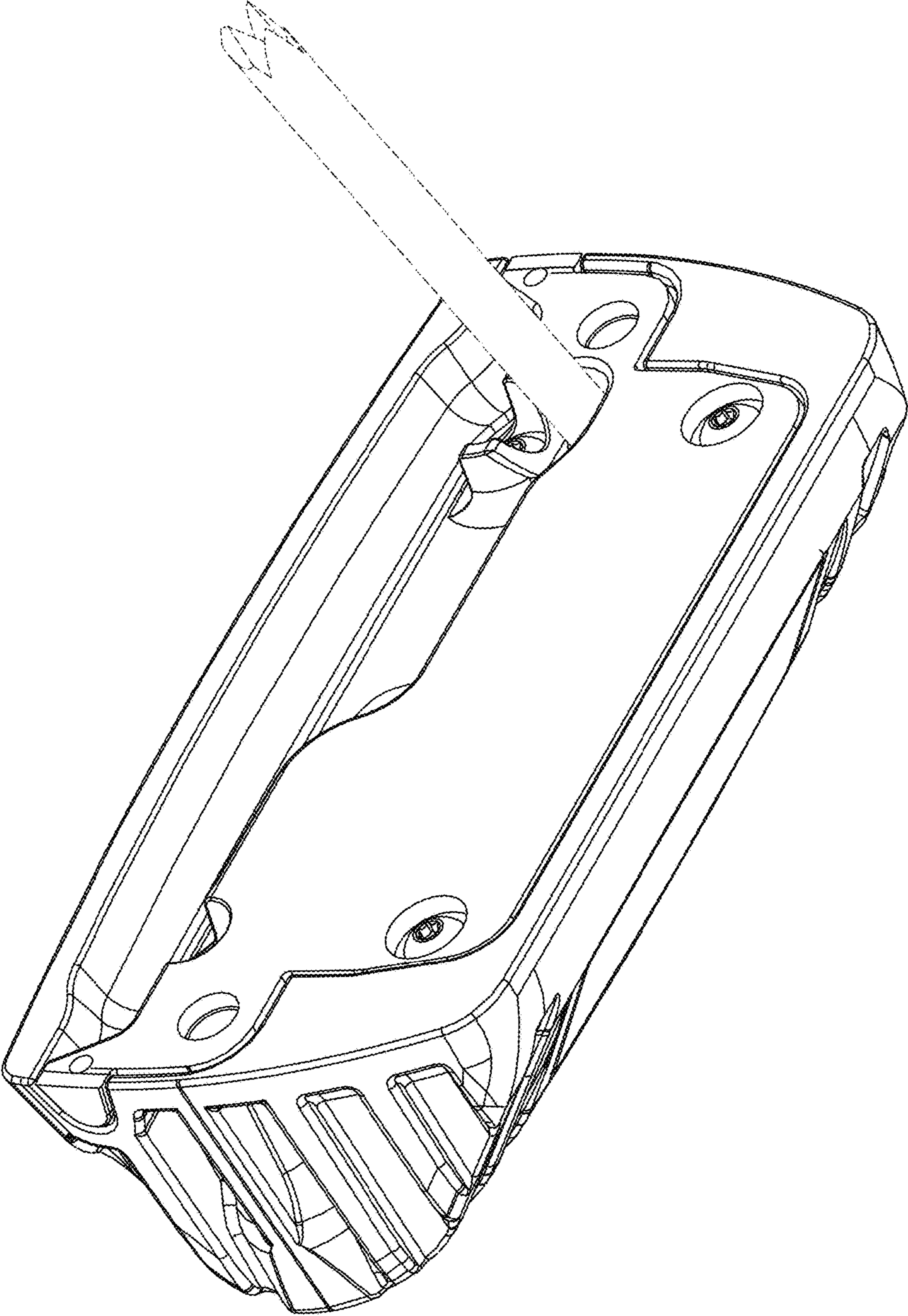


FIG. 7

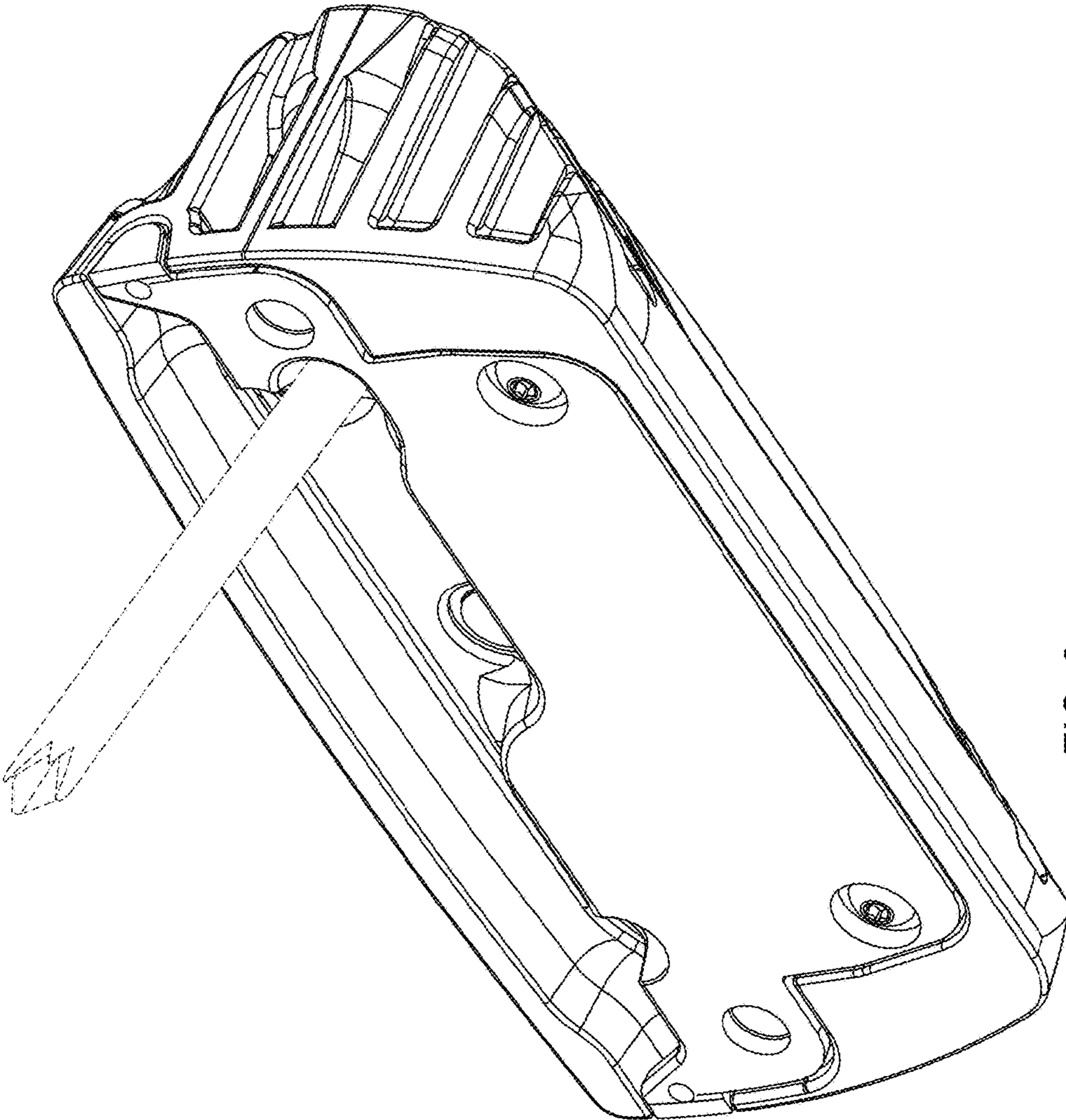


FIG. 8

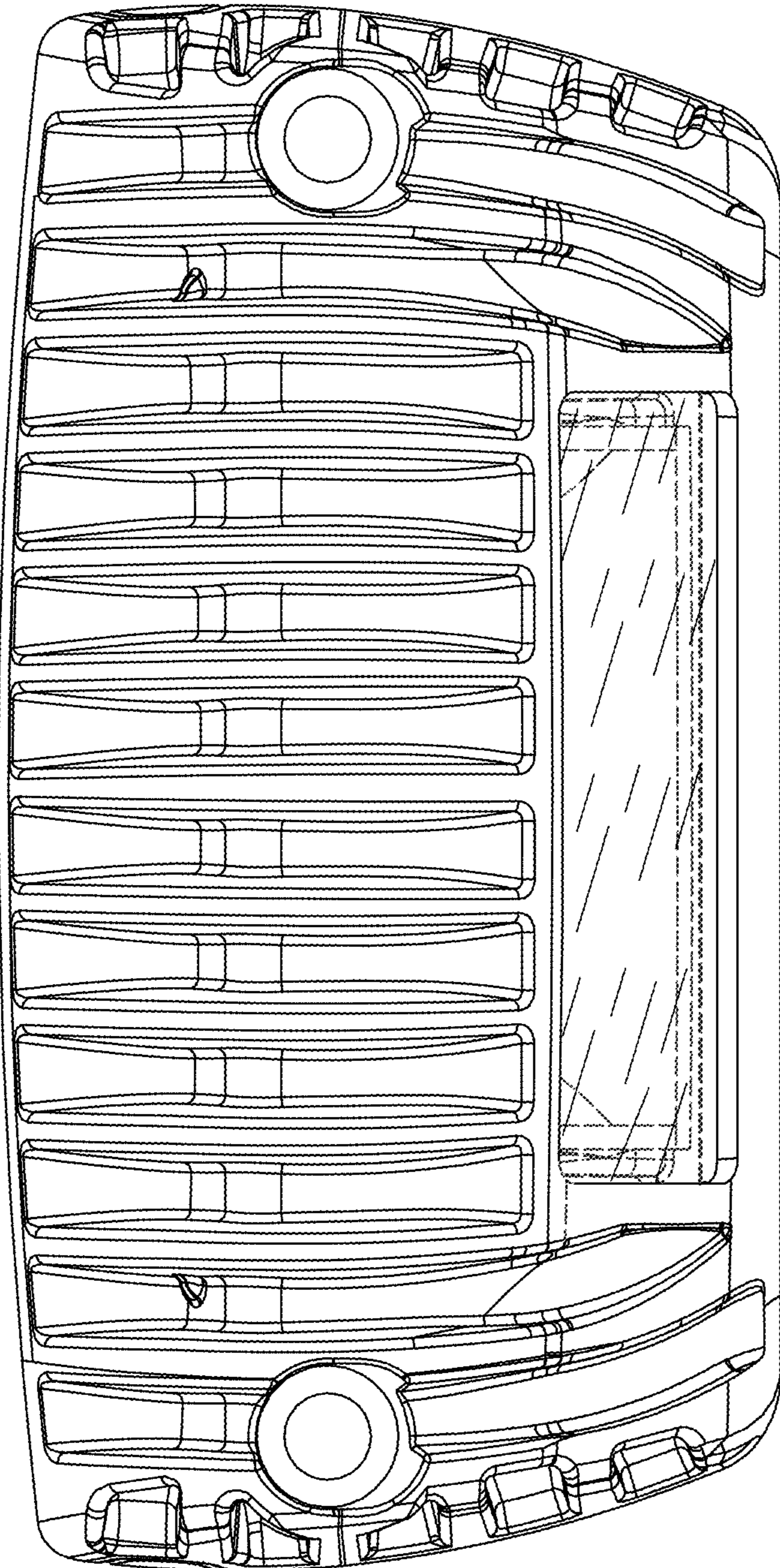


FIG. 9

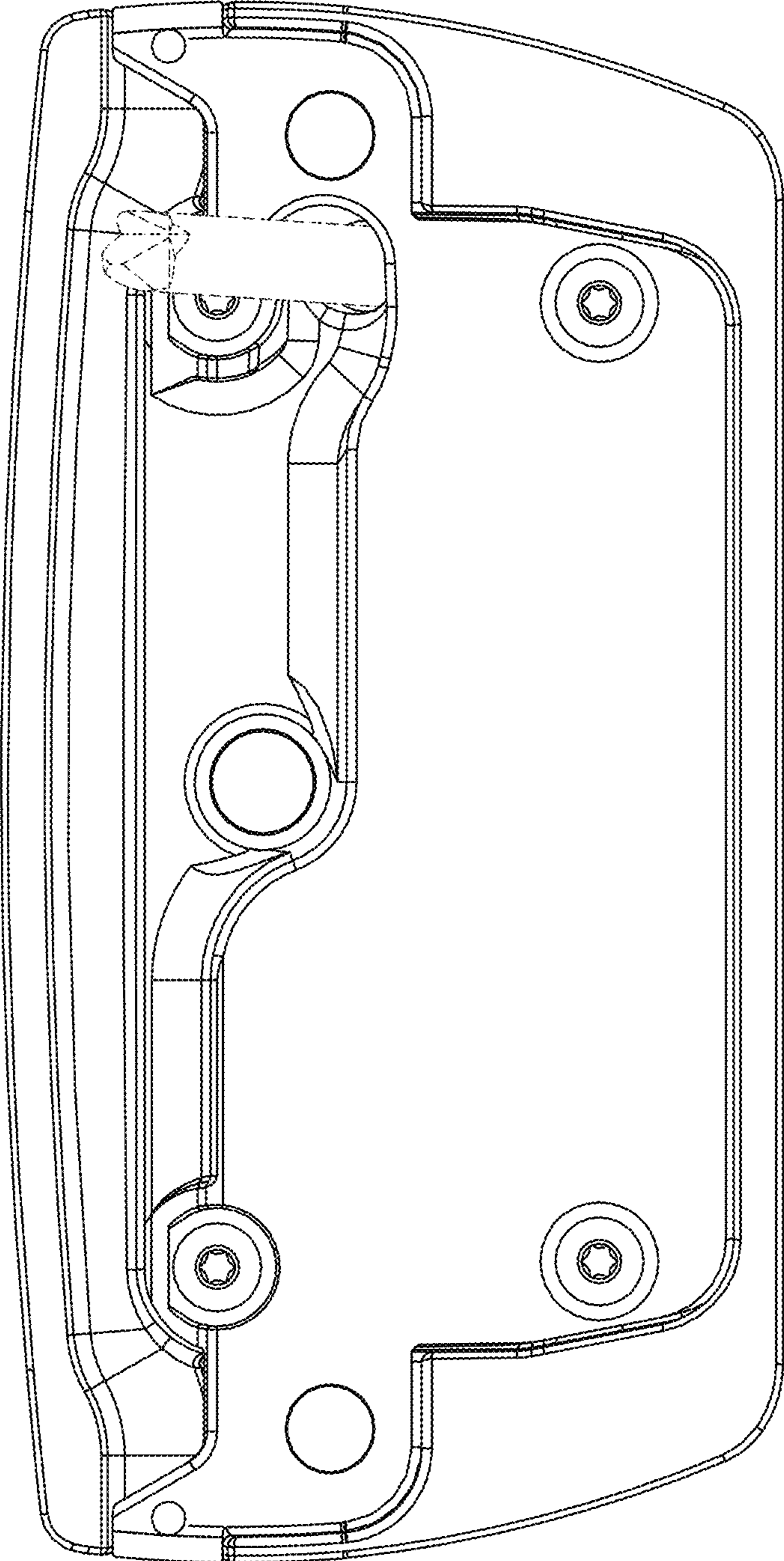


FIG. 10

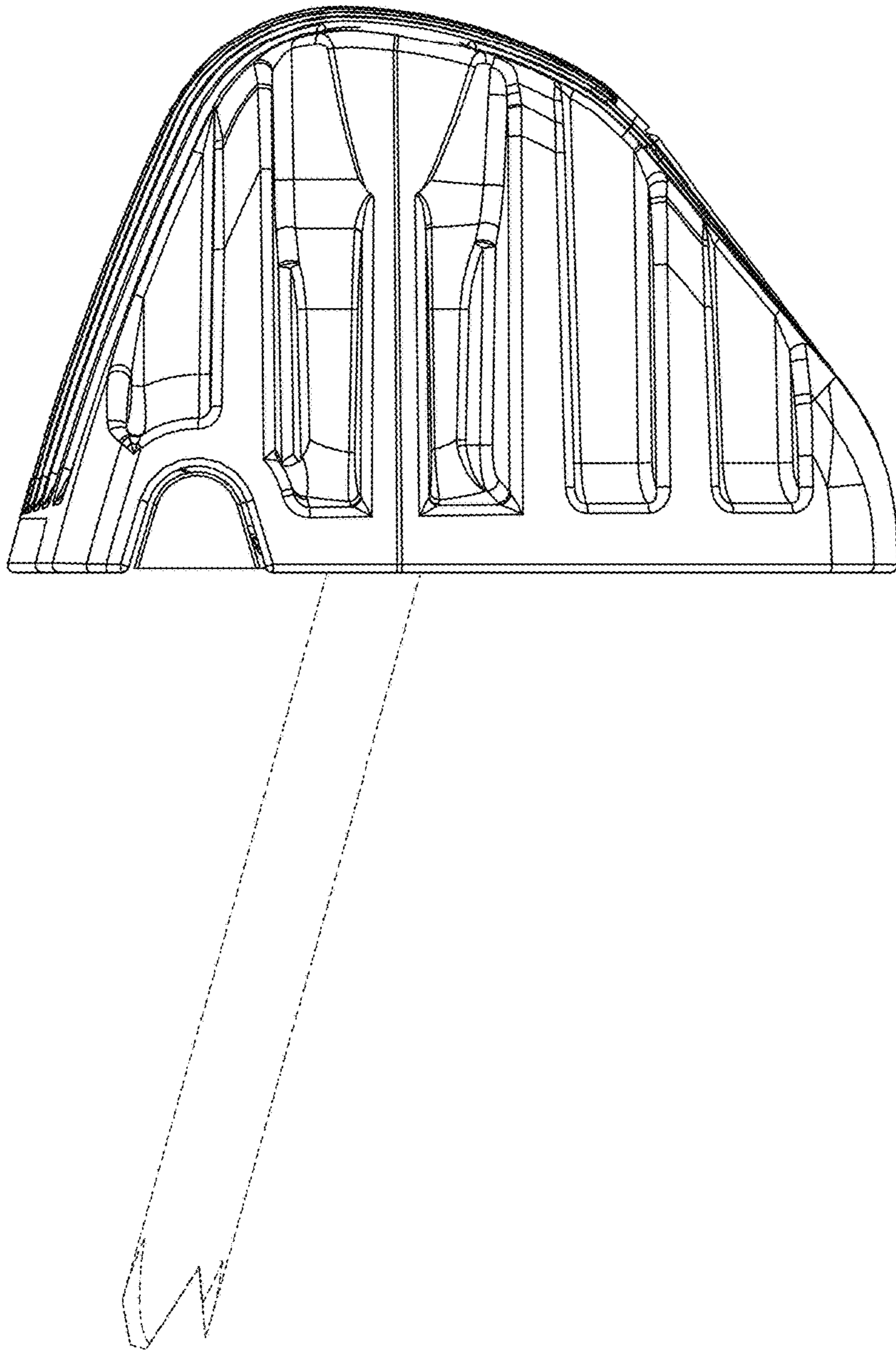


FIG. 11

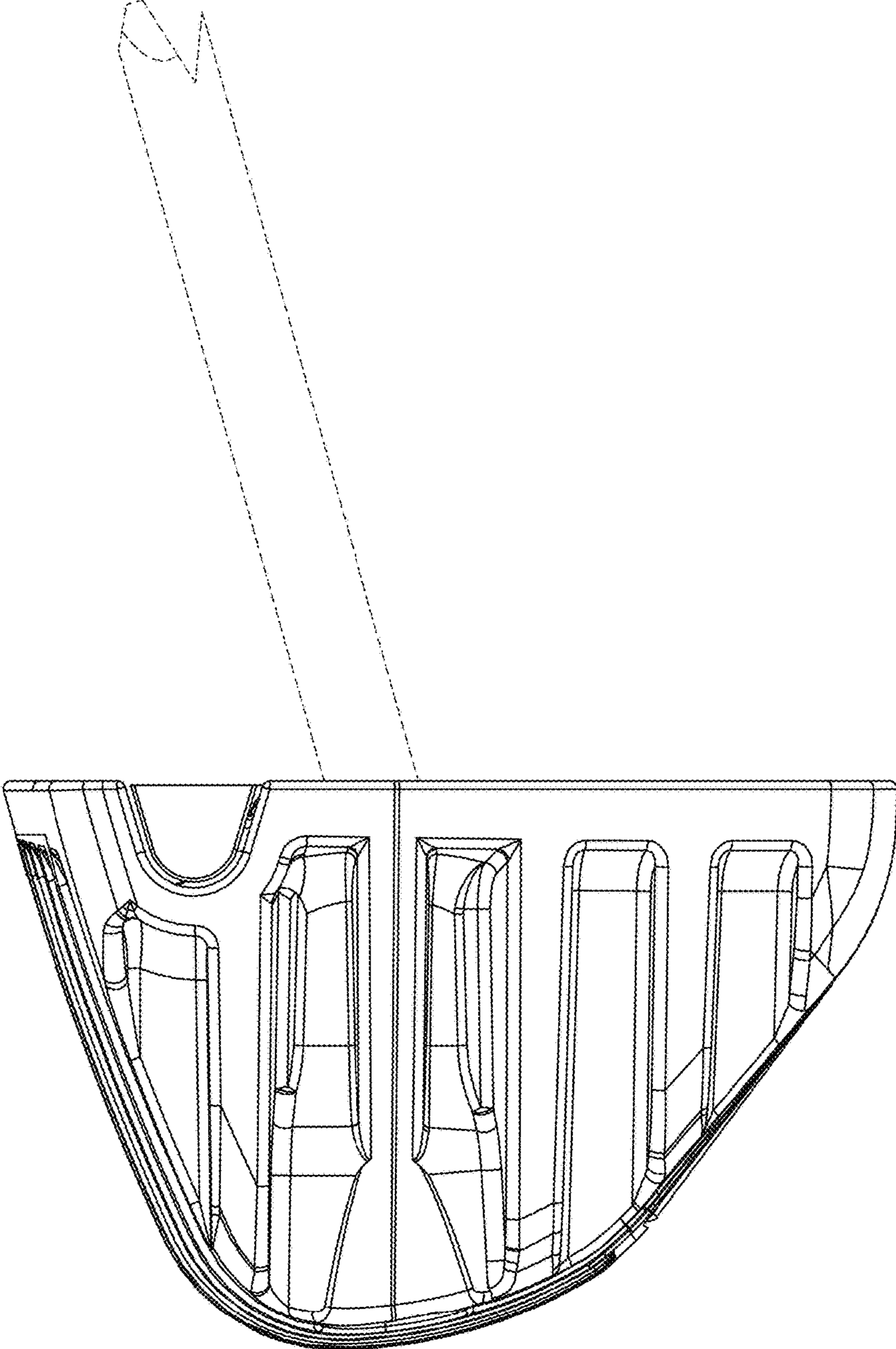


FIG. 12

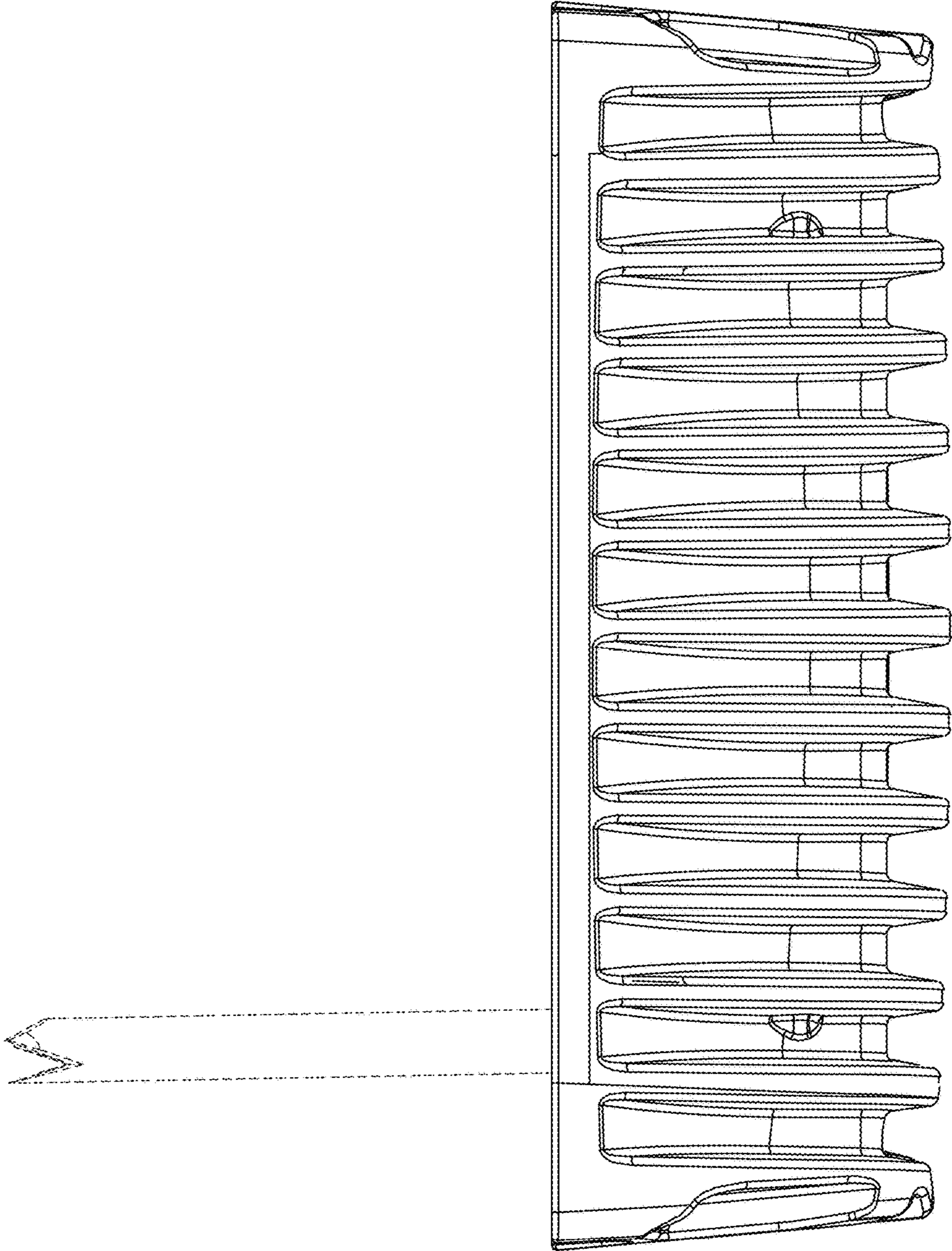


FIG. 13

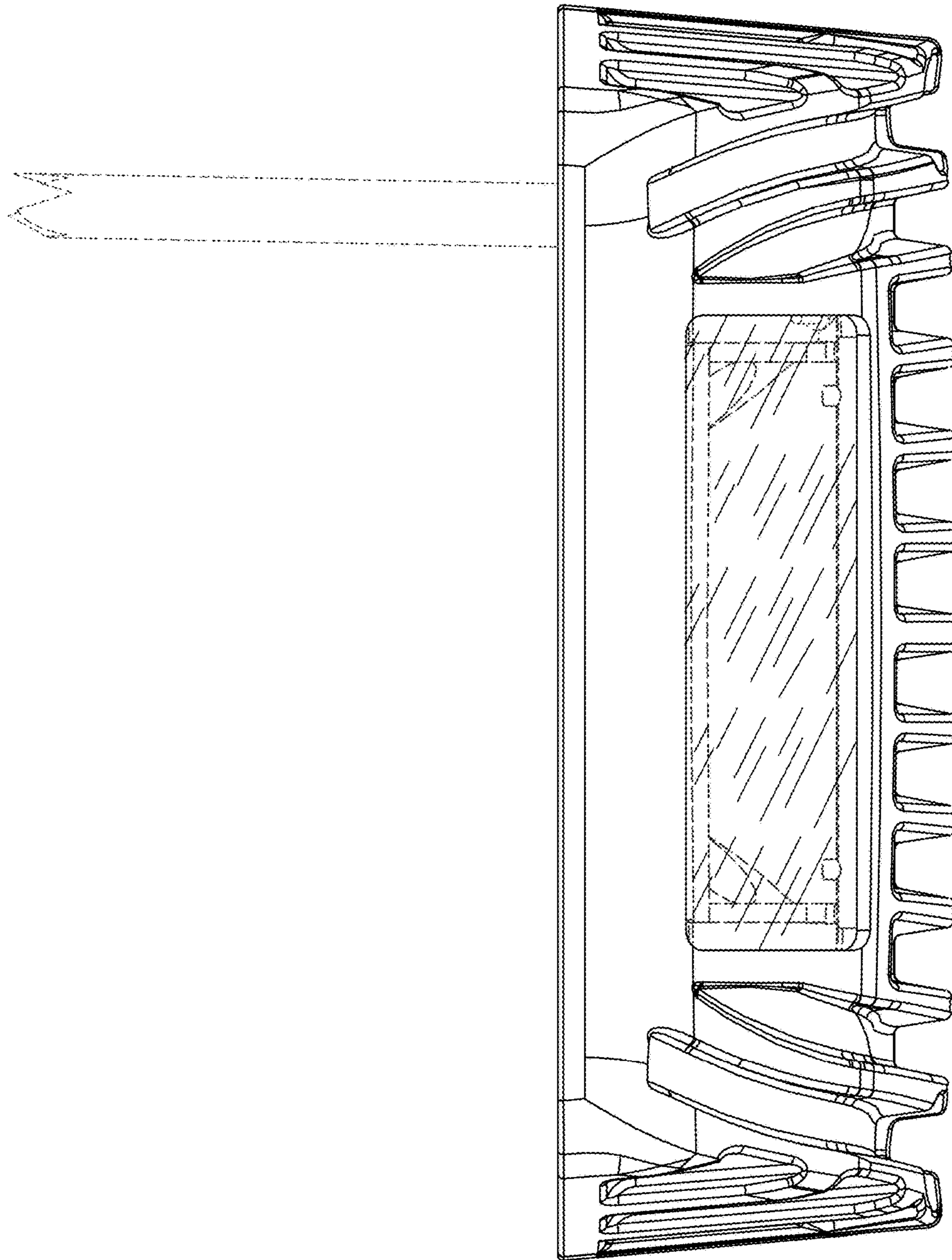


FIG. 14