



US00D782091S

(12) **United States Design Patent**
Inskeep

(10) **Patent No.:** **US D782,091 S**

(45) **Date of Patent:** **** *Mar. 21, 2017**

(54) **SPOTLIGHT**

(71) Applicant: **Mathew Inskeep**, Highland Beach, FL
(US)

(72) Inventor: **Mathew Inskeep**, Highland Beach, FL
(US)

(*) Notice: This patent is subject to a terminal disclaimer.

(**) Term: **14 Years**

(21) Appl. No.: **29/490,063**

(22) Filed: **May 6, 2014**

(51) **LOC (10) Cl.** **26-02**

(52) **U.S. Cl.**
USPC **D26/45**

(58) **Field of Classification Search**
USPC D26/45, 50, 37, 38, 40, 42, 46, 49, 51
CPC F21L 2003/00; F21L 4/00; F21L 4/005;
F21L 4/02; F21L 4/025; F21L 4/027;
F21L 4/04; F21L 4/08; F21L 2005/00;
F21L 7/00; F21L 11/00; F21L 13/00;
F21L 13/04; F21L 13/08; F21L 14/02;
F21L 17/00; F21L 19/00

See application file for complete search history.

(56) **References Cited**

U.S. PATENT DOCUMENTS

D469,904 S * 2/2003 Levine D26/45
D603,540 S * 11/2009 Shum D26/45

D605,796 S * 12/2009 Crawford D26/45
D628,326 S * 11/2010 Ng D26/45
D673,705 S * 1/2013 Inskeep D26/45
D673,706 S * 1/2013 Inskeep D26/45
D673,707 S * 1/2013 Inskeep D26/45
D702,383 S * 4/2014 Inskeep D26/45
D711,029 S * 8/2014 Schnell D26/45
D711,574 S * 8/2014 Shen D26/45
D748,310 S * 1/2016 Inskeep D26/45
D754,380 S * 4/2016 Inskeep D26/45
D754,381 S * 4/2016 Inskeep D26/45

* cited by examiner

Primary Examiner — Lakiya Rogers
Assistant Examiner — Carissa C Fitts

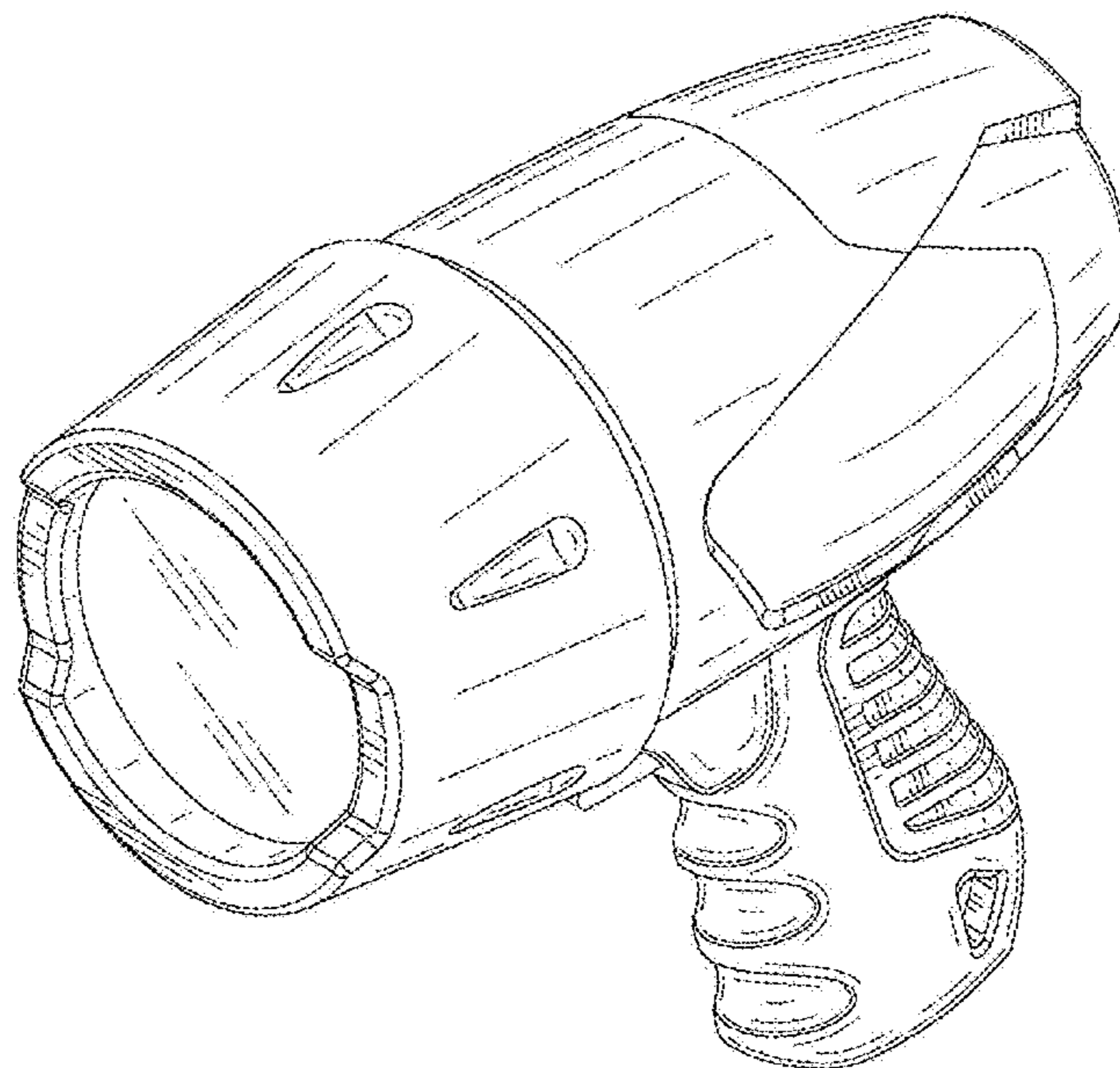
(57) **CLAIM**

The ornamental design for a spotlight, as shown and described.

DESCRIPTION

FIG. 1 is a top perspective view of the spotlight showing my new design.
FIG. 2 is a bottom perspective view thereof.
FIG. 3 is a top view thereof.
FIG. 4 is a bottom view thereof.
FIG. 5 is left side view thereof.
FIG. 6 is a front view thereof; and,
FIG. 7 is a back view thereof.

1 Claim, 7 Drawing Sheets



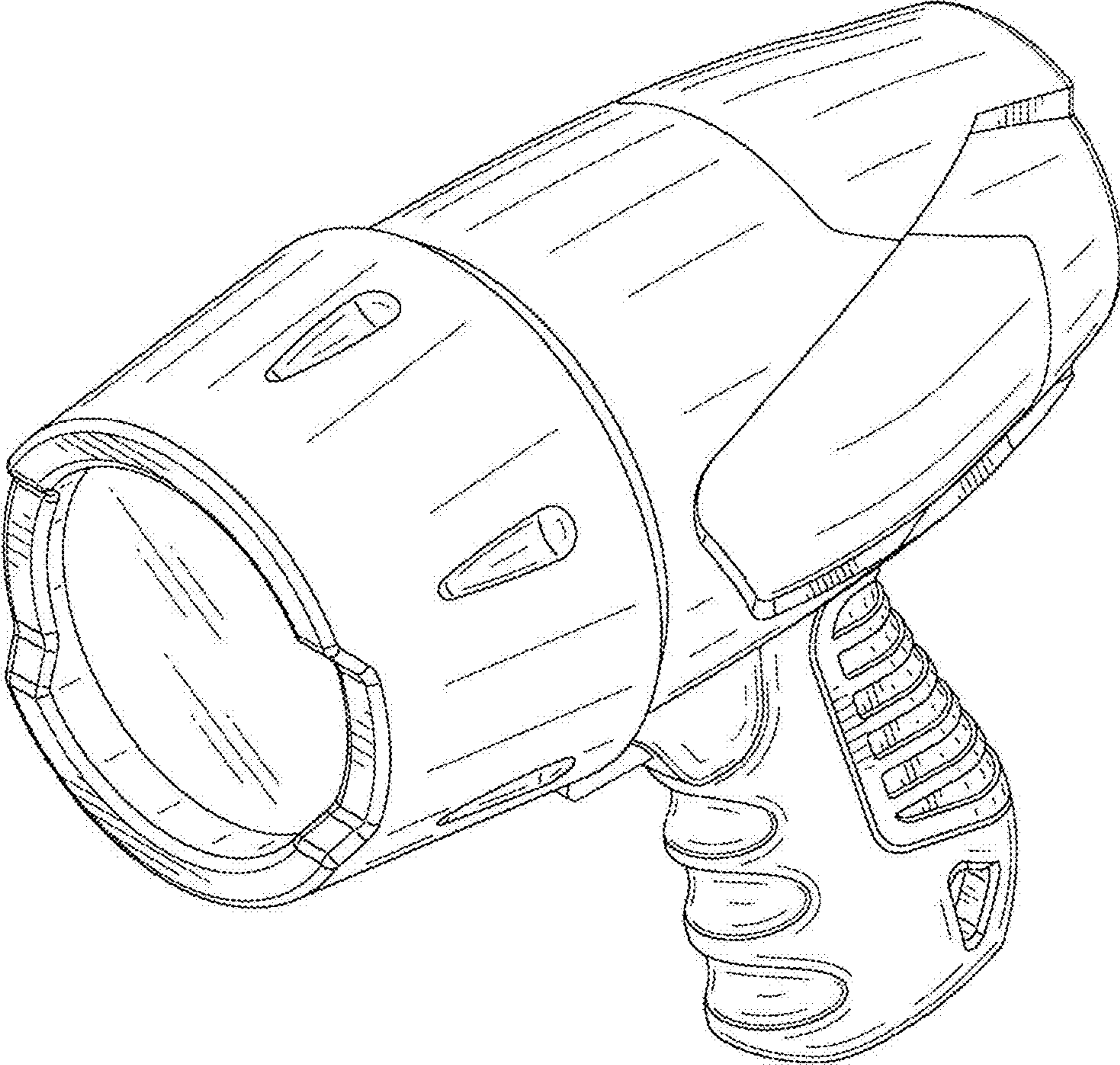


FIG. 1

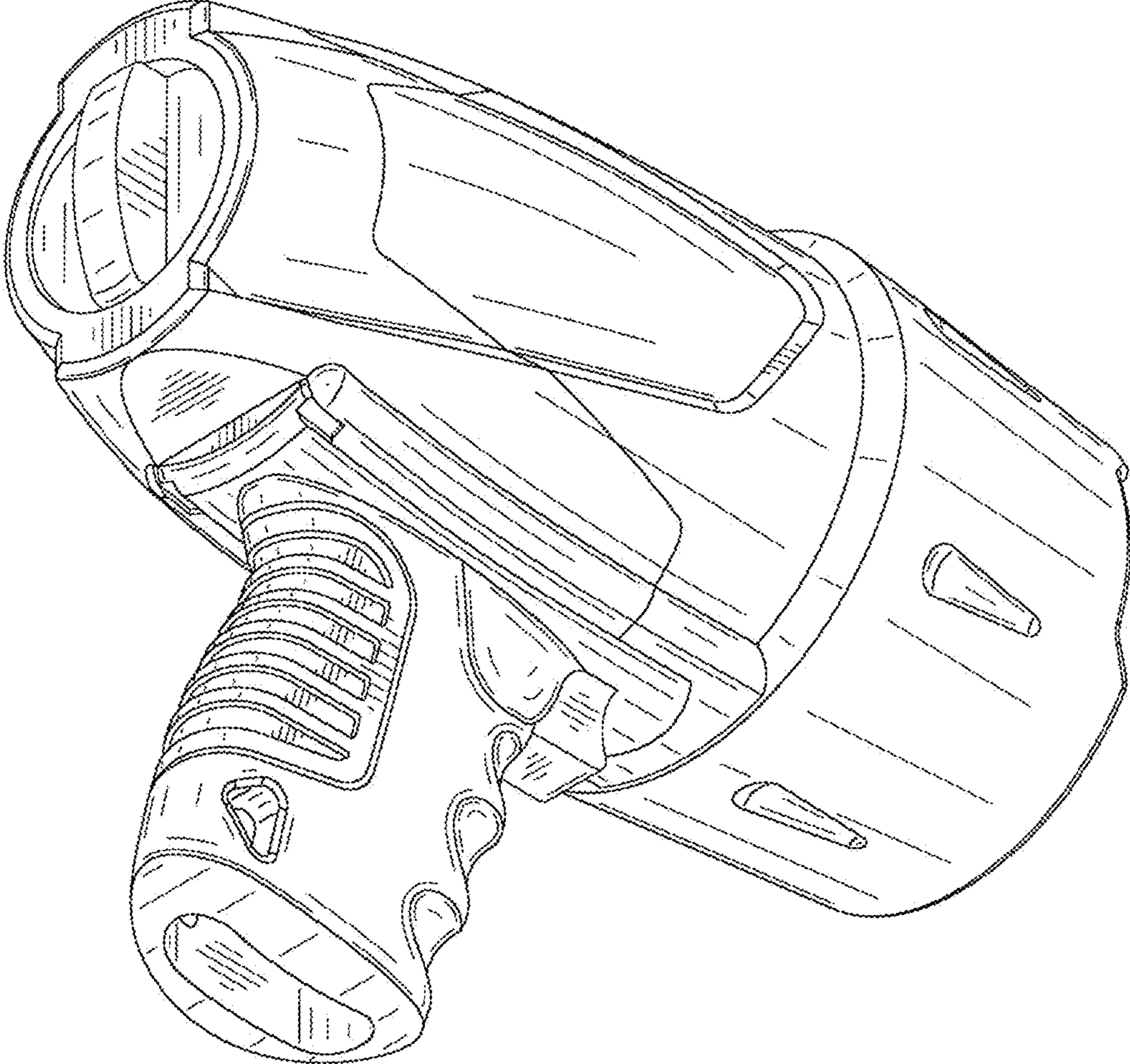


FIG. 2

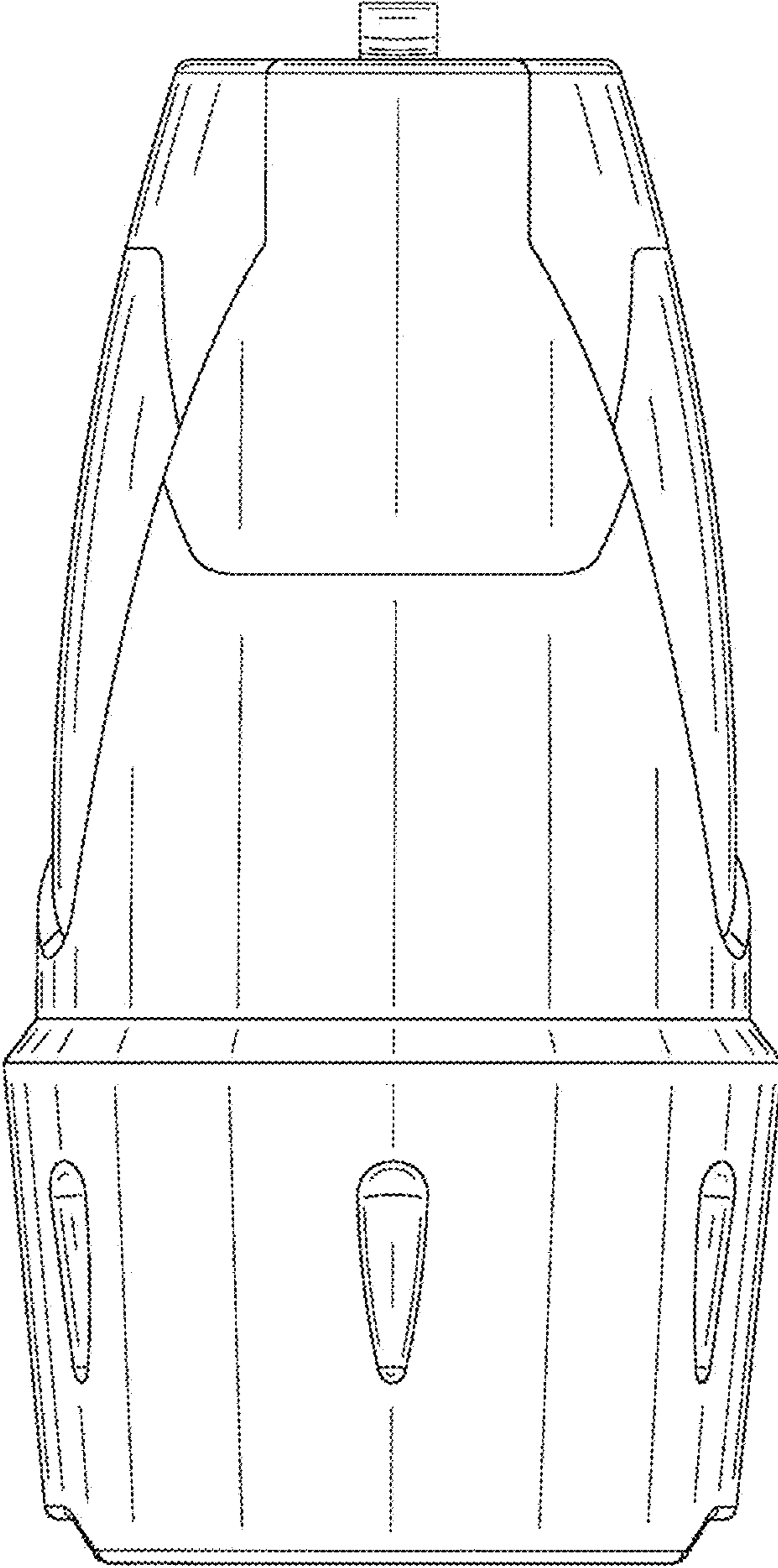


FIG. 3

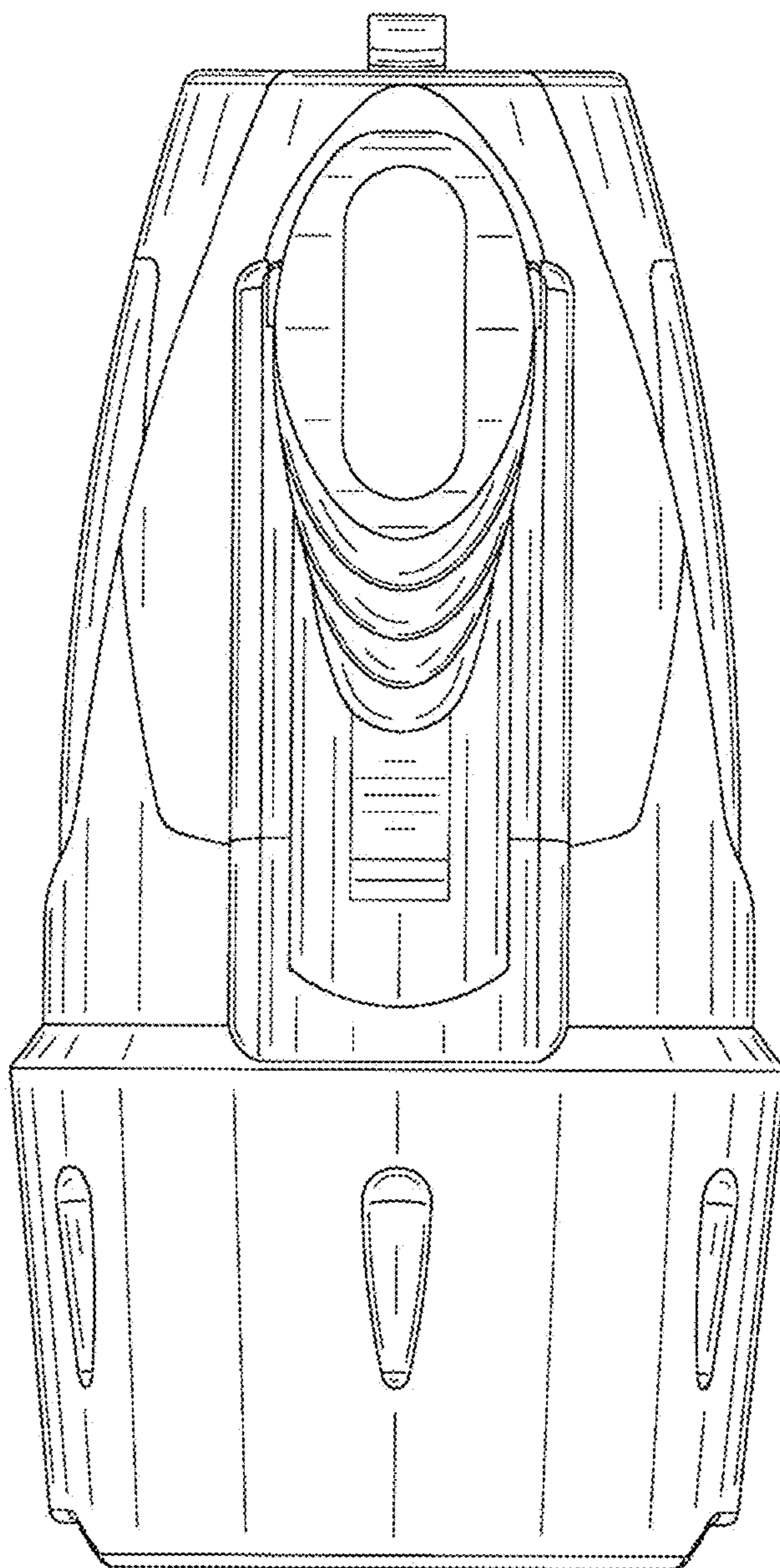


FIG. 4

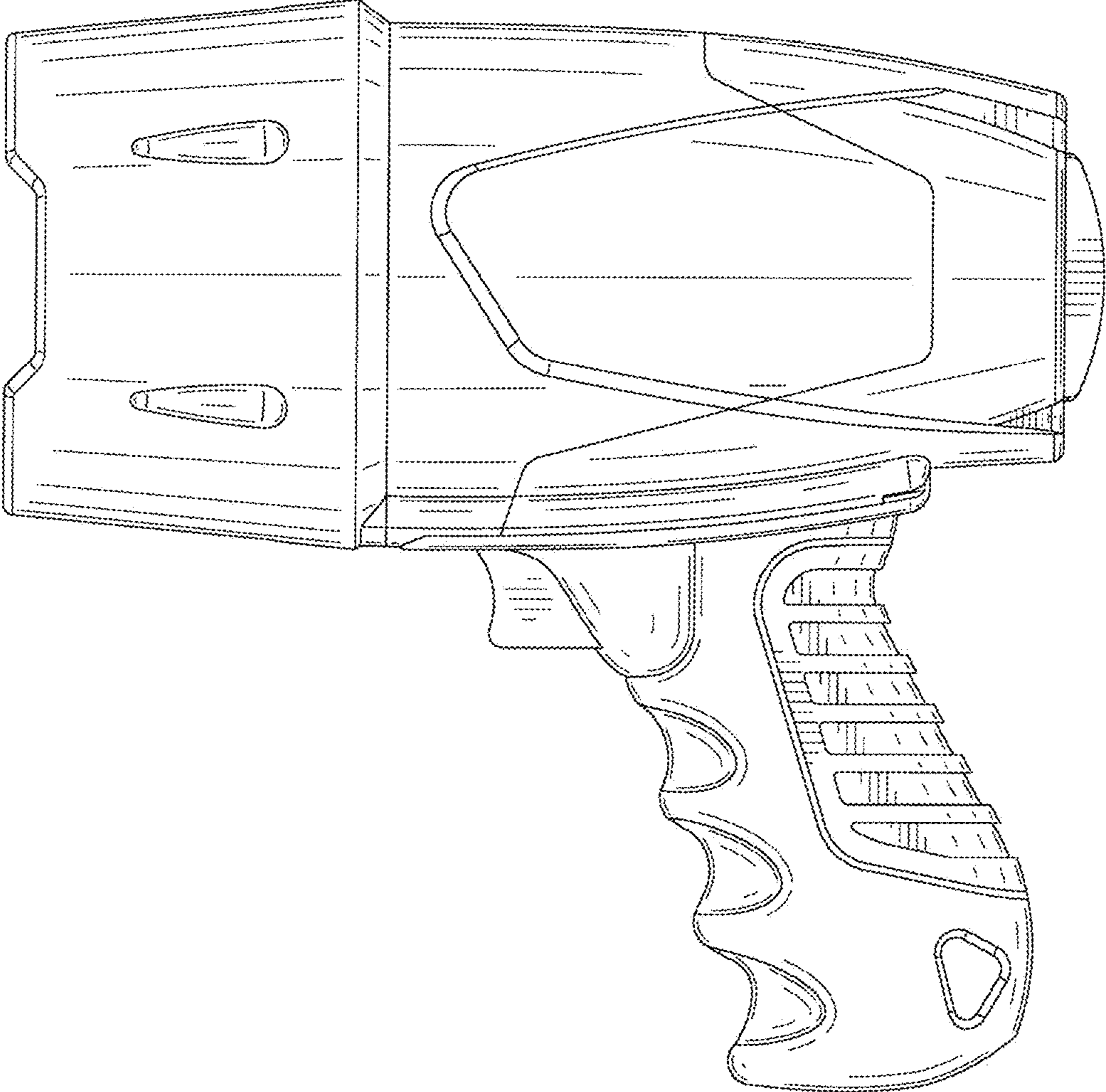


FIG. 5

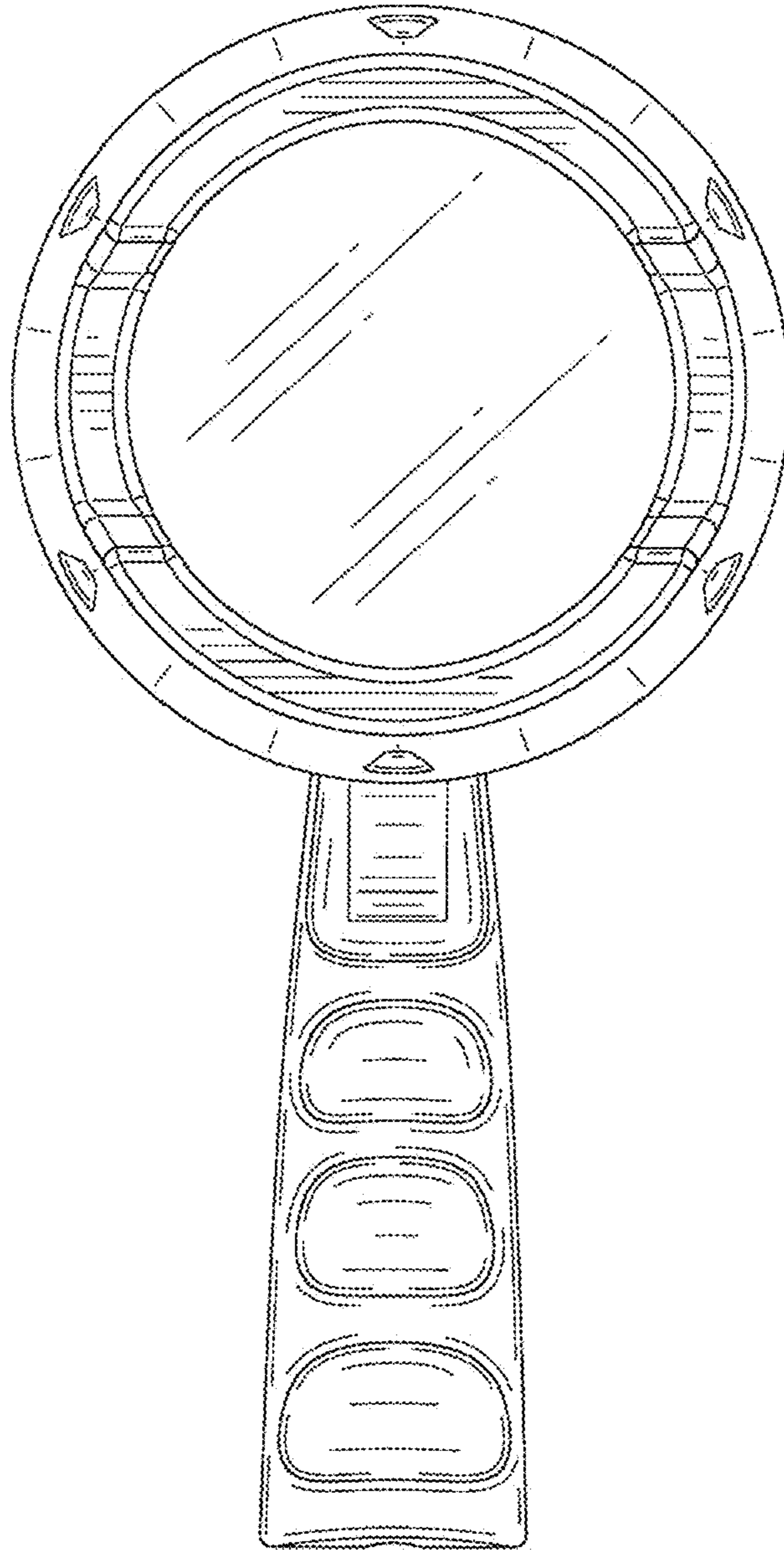


FIG. 6

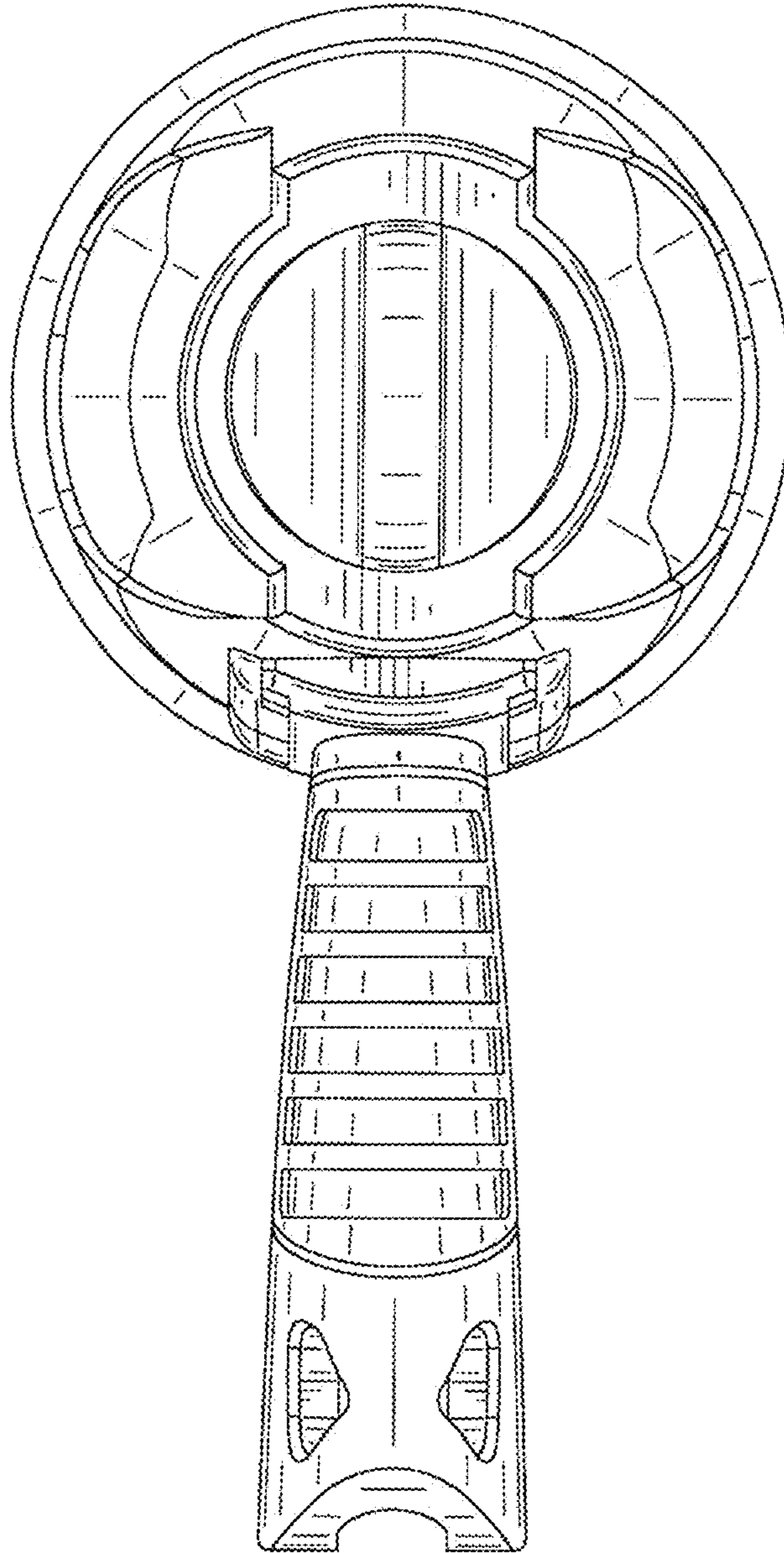


FIG. 7