



US00D782087S

(12) **United States Design Patent**
Youn

(10) **Patent No.:** **US D782,087 S**
(45) **Date of Patent:** **** Mar. 21, 2017**

(54) **FRONT LIGHT FOR AN AUTOMOBILE**

D569,015 S * 5/2008 Tsukui D26/28
D573,734 S * 7/2008 Watanabe D26/28
D603,076 S * 10/2009 Hung D26/28

(71) Applicant: **Faraday & Future Inc.**, Gardena, CA
(US)

* cited by examiner

(72) Inventor: **Hanbin Youn**, Los Angeles, CA (US)

Primary Examiner — Marcus Jackson

(73) Assignee: **Faraday & Future Inc.**, Gardena, CA
(US)

(74) *Attorney, Agent, or Firm* — Knobbe, Martens, Olson
& Bear LLP

(**) Term: **15 Years**

(57) **CLAIM**

(21) Appl. No.: **29/550,067**

The ornamental design for a front light for an automobile, as shown and described.

(22) Filed: **Dec. 30, 2015**

(51) **LOC (10) Cl.** **26-06**

(52) **U.S. Cl.**
USPC **D26/28**

(58) **Field of Classification Search**
USPC D26/28-36; 362/80-83, 267-269,
362/459-468, 475-478, 485-487
CPC F21S 48/00; F21S 48/10; F21S 48/115;
F21S 48/225; F21S 48/1233; F21S
48/1266; F21S 48/1388; F21S 48/2268;
F21V 21/04
See application file for complete search history.

DESCRIPTION

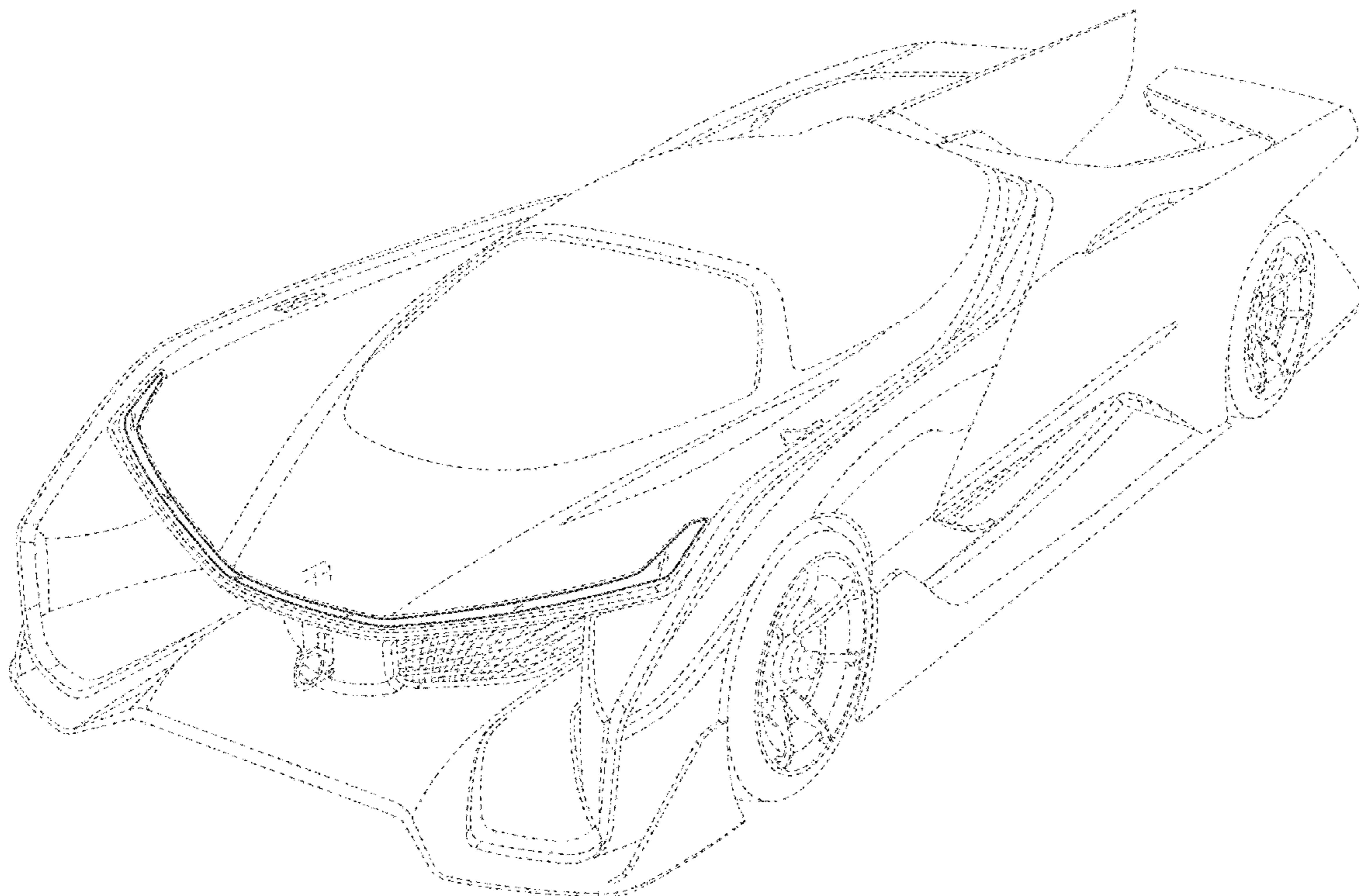
FIG. 1 is a top, front, and right side perspective view of a first embodiment of a front light for an automobile.
FIG. 2 is a top plan view of the front light of FIG. 1.
FIG. 3 is a front elevation view of the front light of FIG. 1.
FIG. 4 is a top, front, and right side perspective view of a second embodiment of a front light for an automotive vehicle.
FIG. 5 is a top plan view of the front light of FIG. 4.
FIG. 6 is a front elevation view of the front light of FIG. 4; and,
FIG. 7 is an enlarged fragmentary front elevation view of the circled portion of the front light of FIG. 6.
The broken lines in the drawings depict environmental structure and form no part of the claimed design.

(56) **References Cited**

U.S. PATENT DOCUMENTS

D552,274 S * 10/2007 Tanaka D26/28
D568,501 S * 5/2008 Nakazawa D26/28

1 Claim, 6 Drawing Sheets



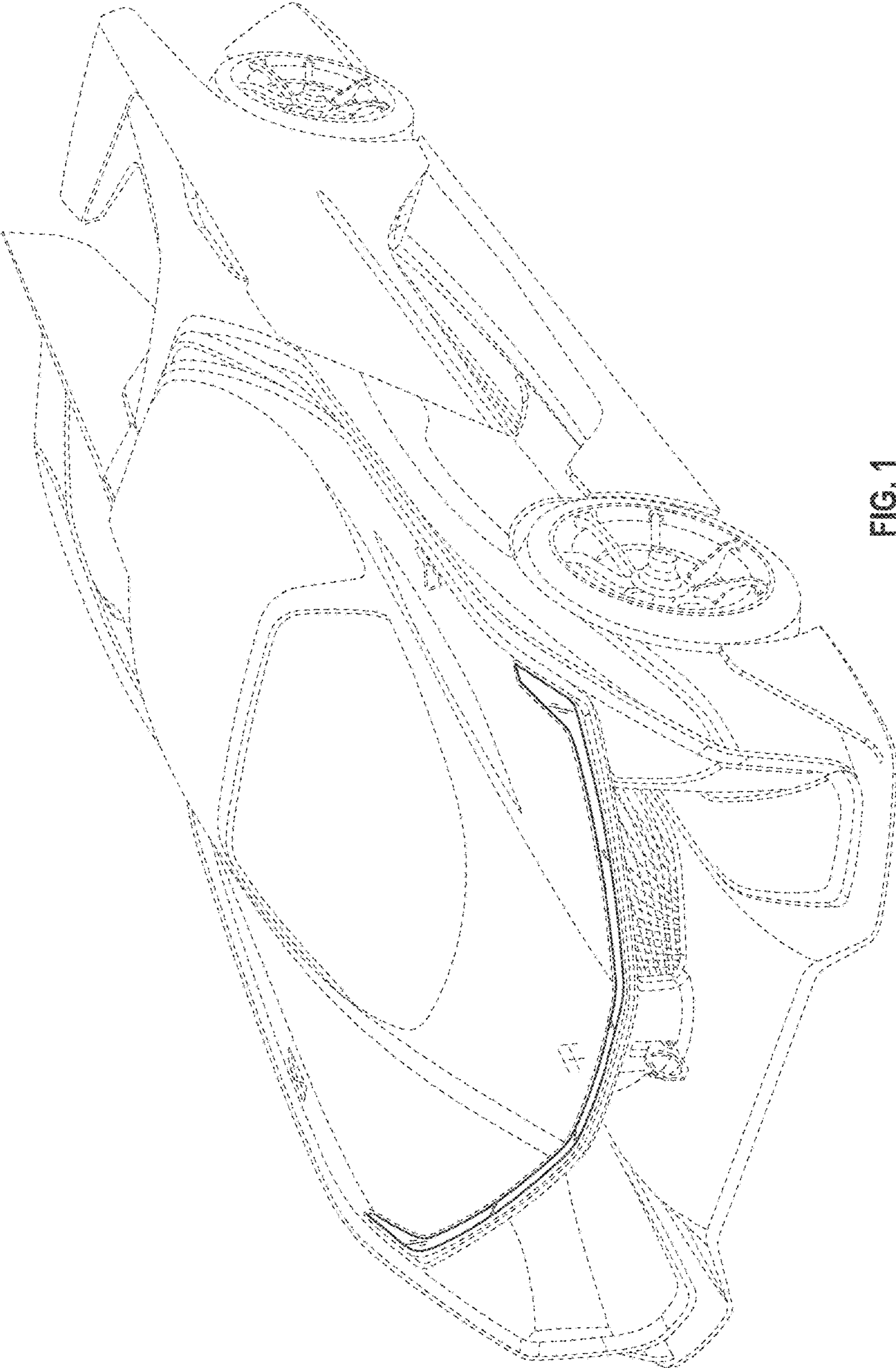


FIG. 1

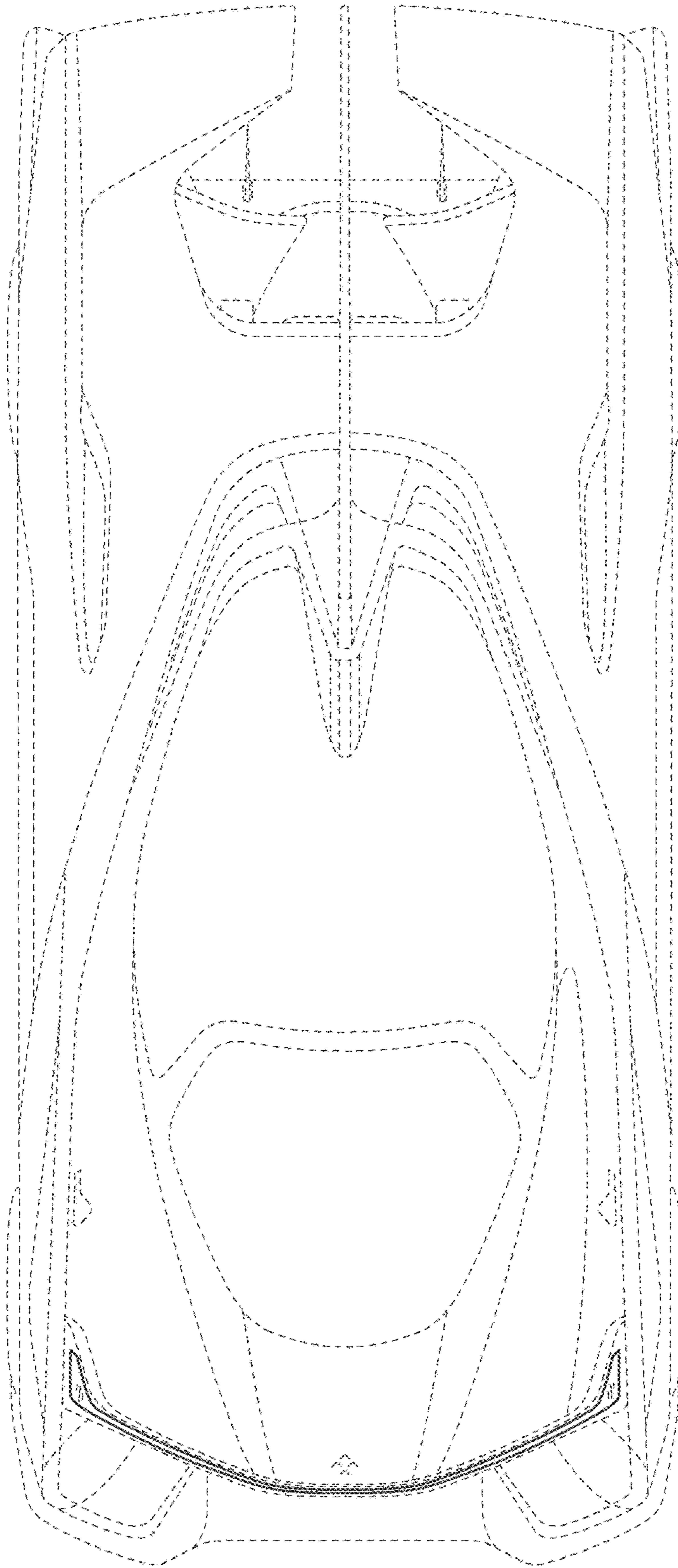


FIG. 2

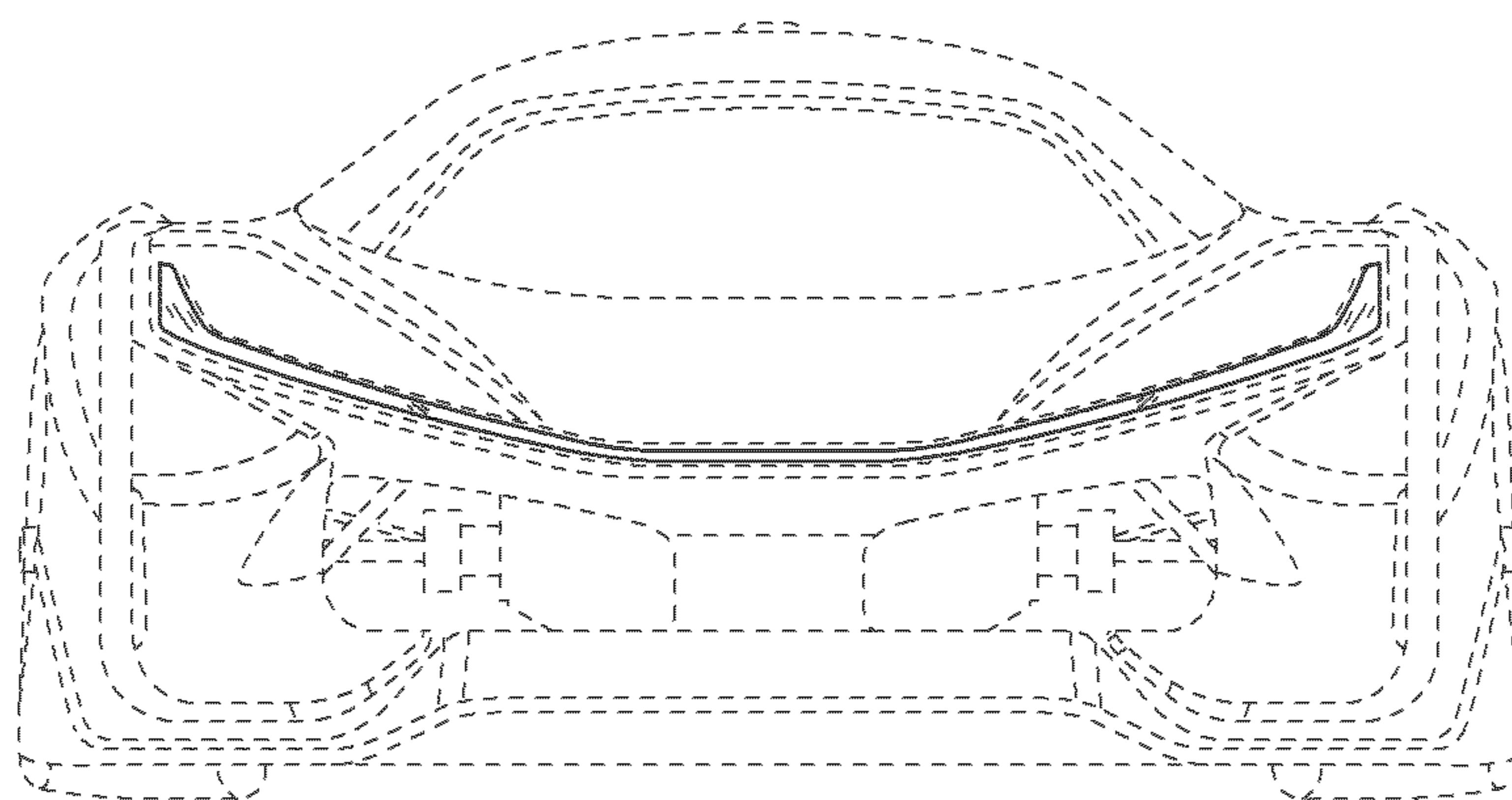


FIG. 3

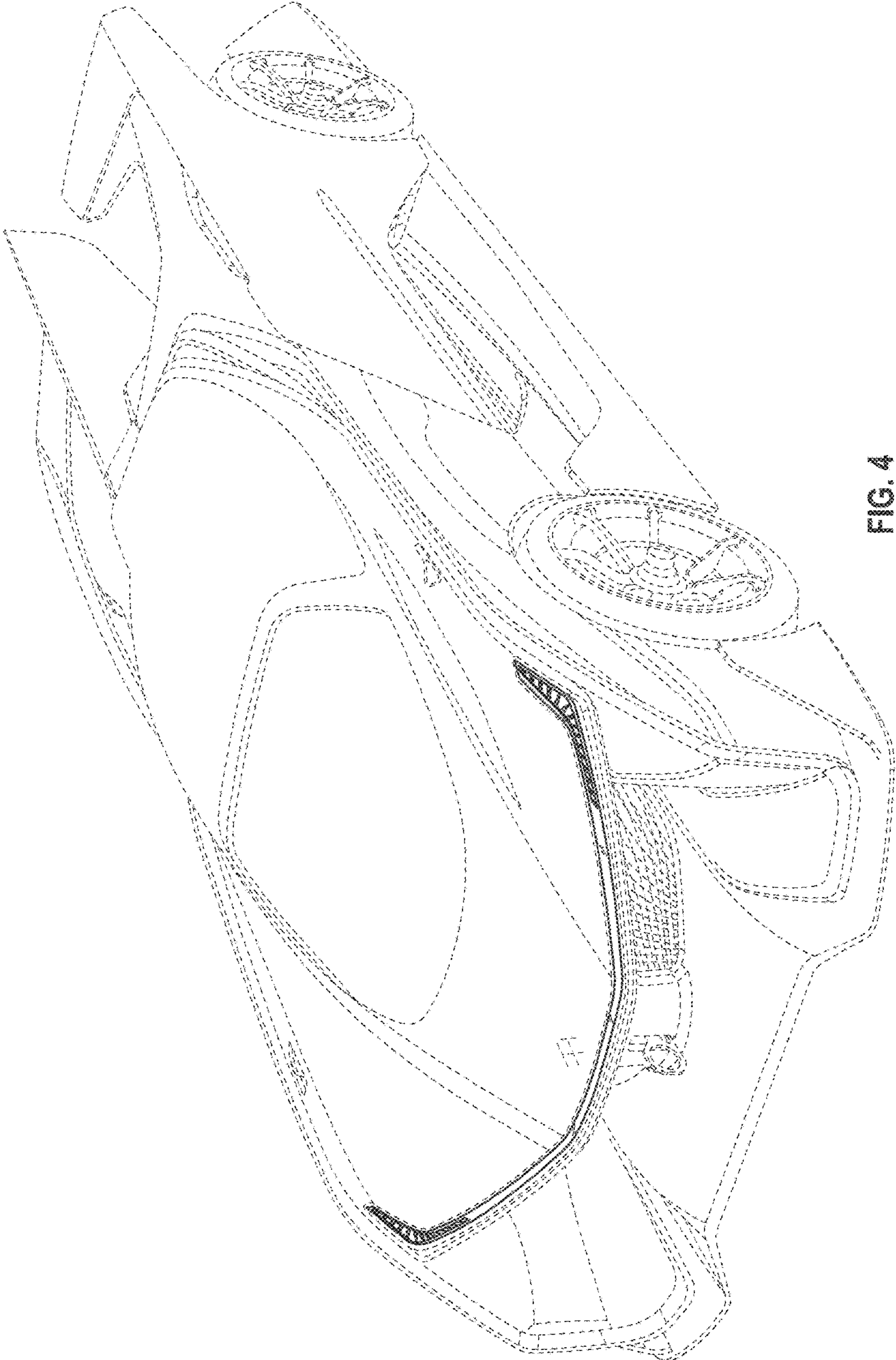


FIG. 4

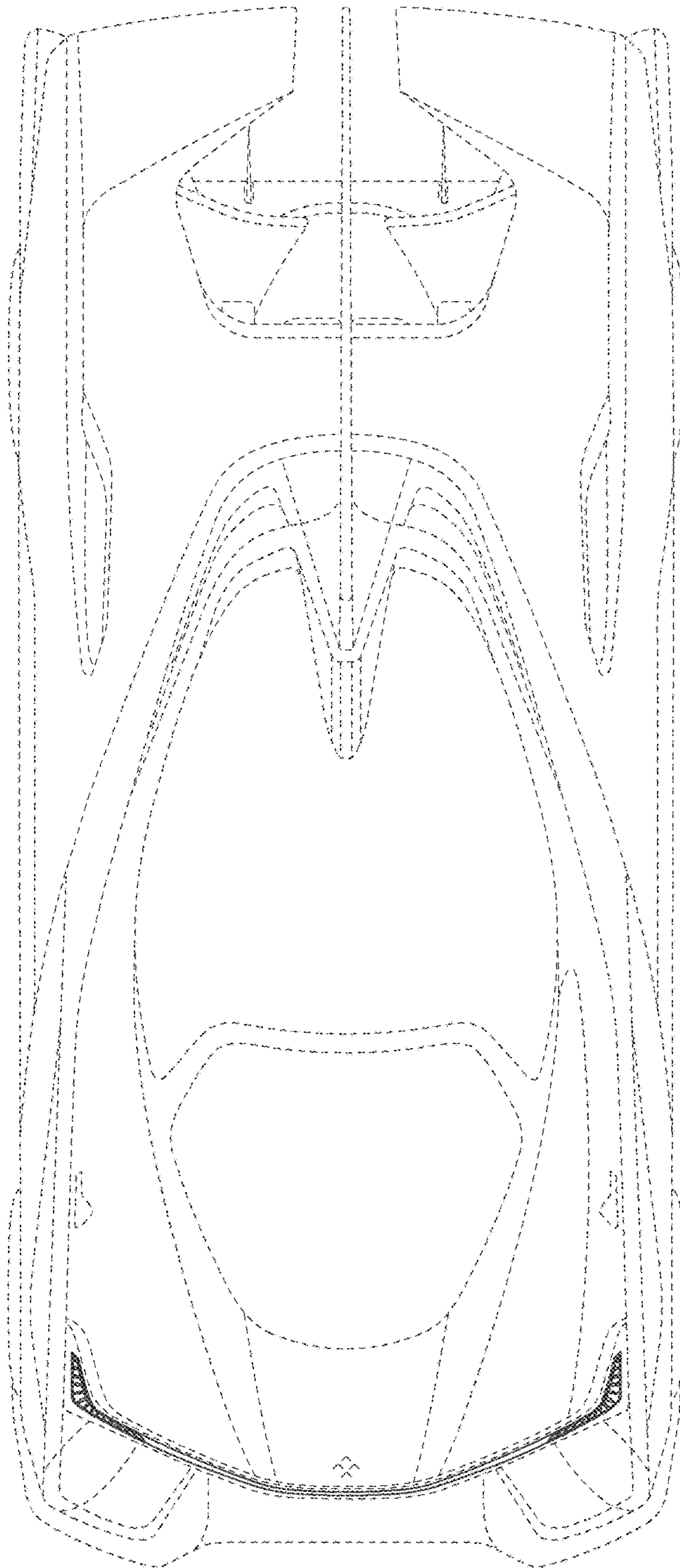


FIG. 5

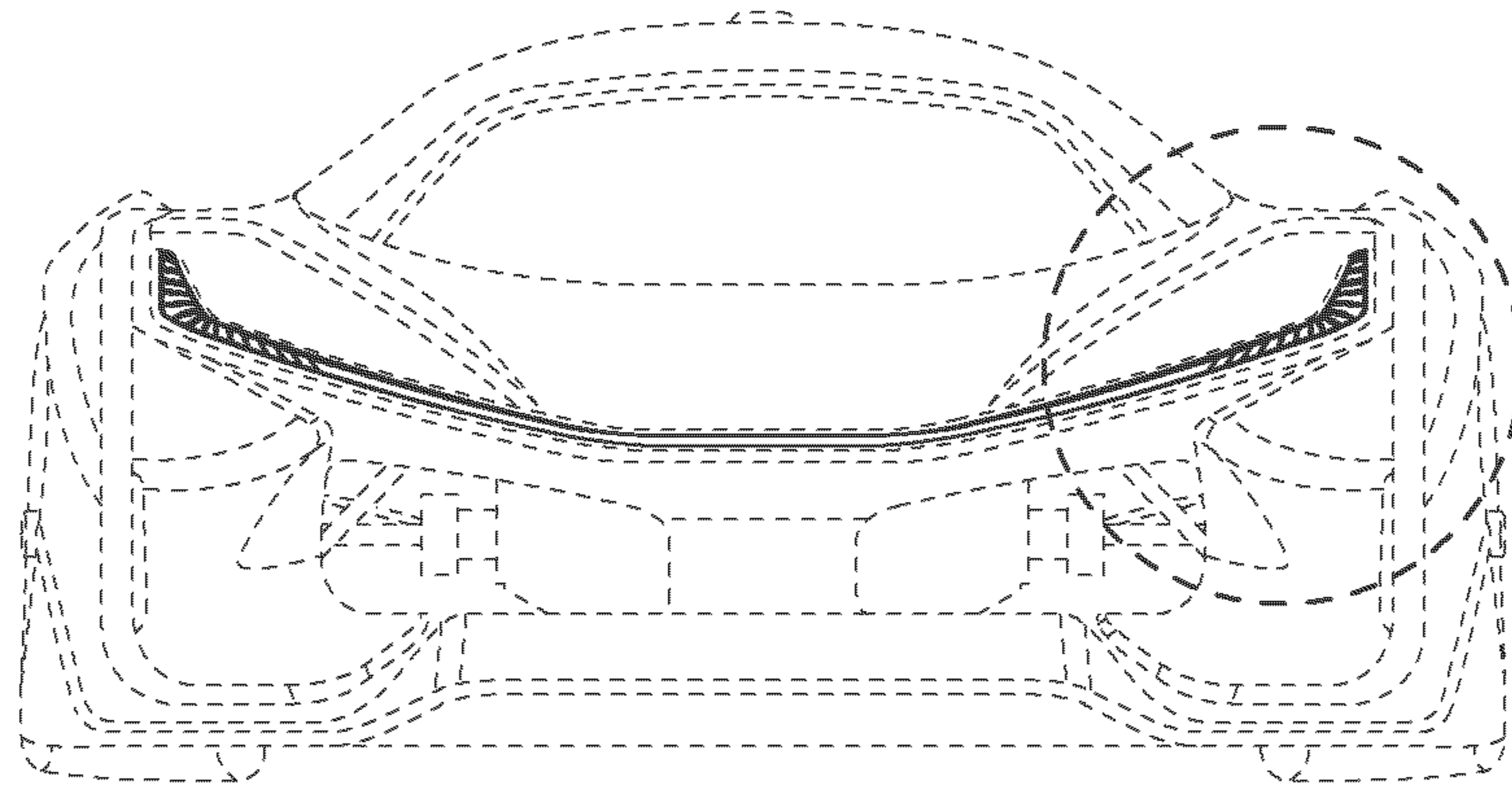


FIG. 6

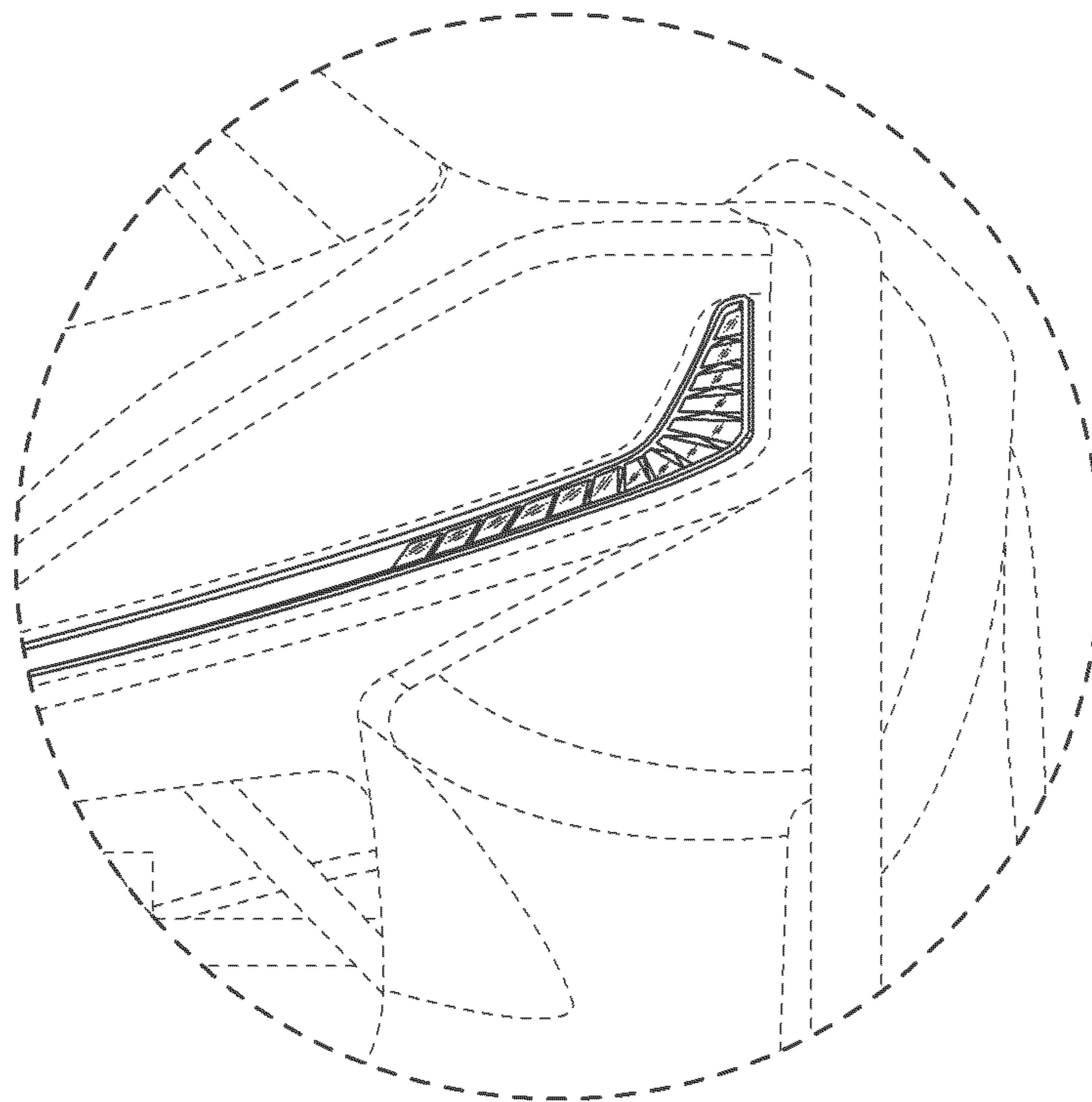


FIG. 7